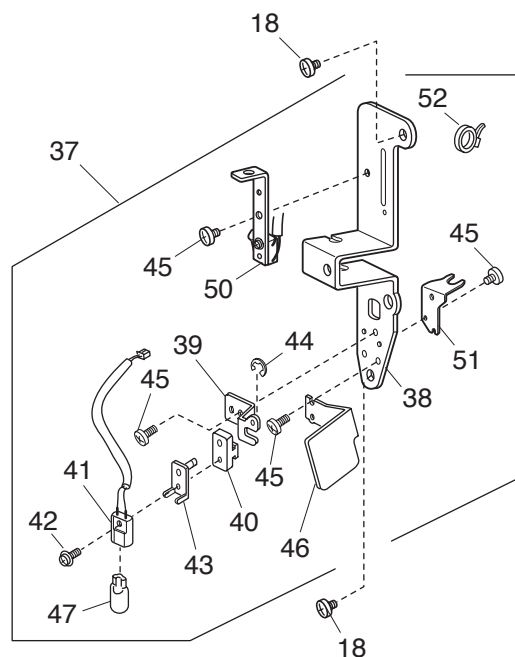
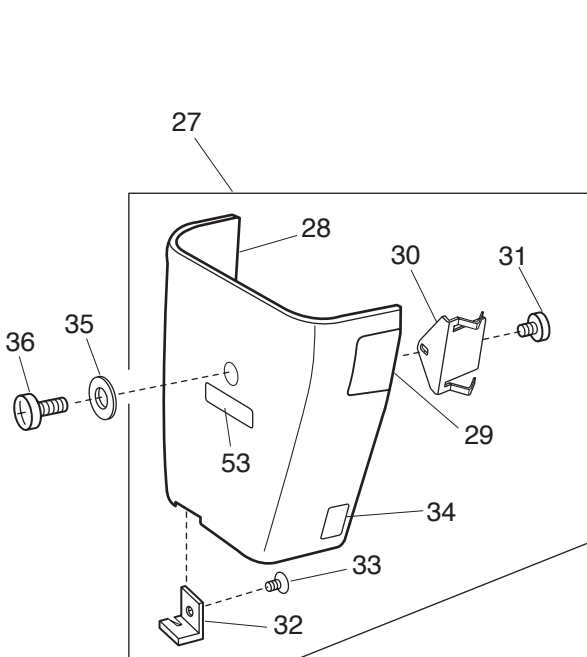
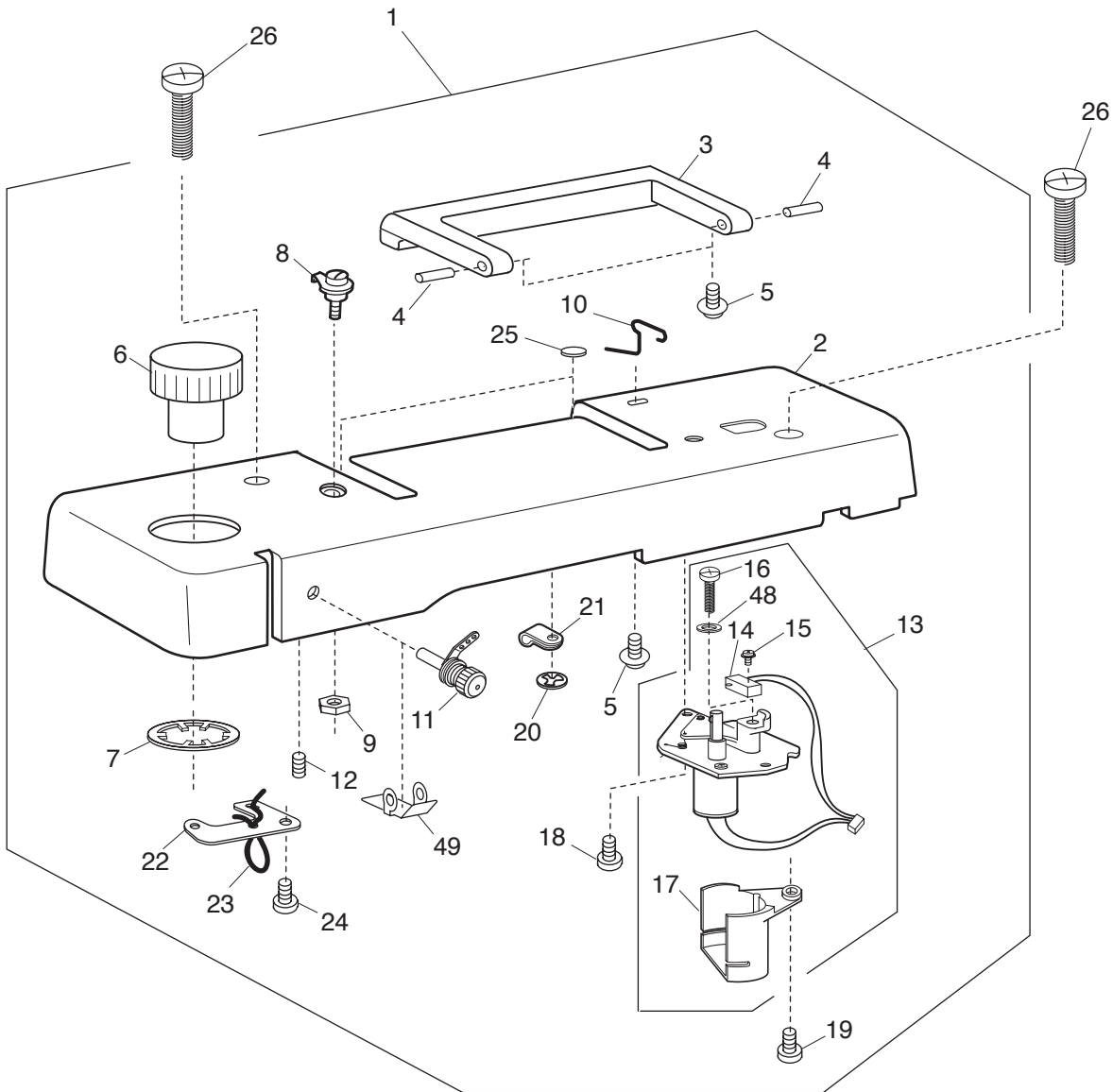


**SERVICE MANUAL**  
**&**  
**PARTS LIST**

**1600P-QC**

**JANOME**

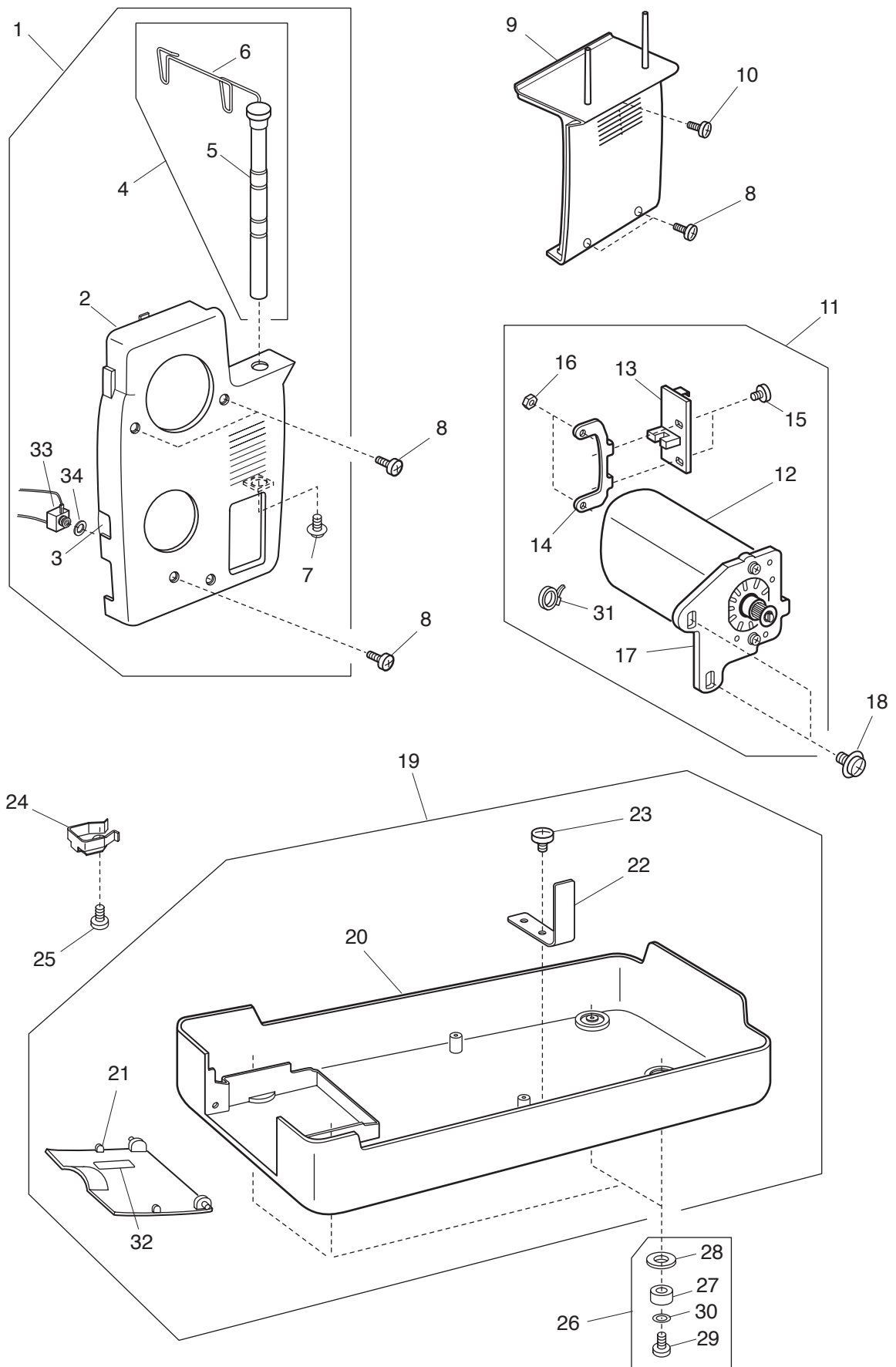
# PARTS LIST



# PARTS LIST

KEY NO.	PARTS NO.	DESCRIPTION
1	767603605	Top cover (unit)
2	767007201	Top cover
3	846015004	Handle
4	846016005	Pin
5	000115205	Setscrew 4x6
6	767008109	Foot pressure adjusting dial
7	000015101	Snap ring CS-22
8	767639002	Thread guide (unit)
9	000160102	Adjustable lock nut
10	846021003	Top cover thread guide
11	767514608	Pre-tension (unit)
12	000111201	Hexagonal socket screw 4x4
13	767604008	Bobbin winder (unit)
14	846514101	Micro switch
15	000115308	TP screw 2x8
16	000104119	Setscrew 4x20
17	846179007	Motor cover
18	000081005	Setscrew 4x8
19	000101703	Setscrew 4x12
20	000014007	Snap ring CS-4
21	000188405	Cord binder 2
22	767152006	Oil wick fixing plate
23	763033204	Oil wick
24	000101404	Setscrew 4x6
25	767211004	Felt
26	000080901	Setscrew 4x25
27	767602202	Face plate (unit) (U.S.A.) (Australia) (UK) (Continental Europe)
	767602604	Face plate (unit) (Canada)
28	767005209	Face plate
29	767006107	Foot pressure display window
30	767197003	Presser bar base
31	000103004	Setscrew 3.5x6
32	840602109	Thread cutter (unit)
33	000095105	Setscrew 3x5
34	767208008	Needle sticker
35	000071024	Washer 4
36	000103510	Setscrew 4x10
37	767611101	Front bracket (unit)
38	767016203	Front bracket
39	767038005	Lamp bracket
40	767174004	Lamp cushion
41	501509703	Lamp socket (unit)
42	000114905	Setscrew TP 2x10
43	767183006	Lamp set plate
44	000001104	Snap ring E-2.3
45	000103808	Setscrew 3x5
46	767146007	Lamp shield plate
47	000026002	Wedge base lamp 12V 5W
48	000071013	Washer
49	846227001	Handle spring
50	767696007	Presser foot lifter switch (unit)
51	767224000	Set plate
52	000053008	Cord binder
53	100517008	Sticker (Canada)

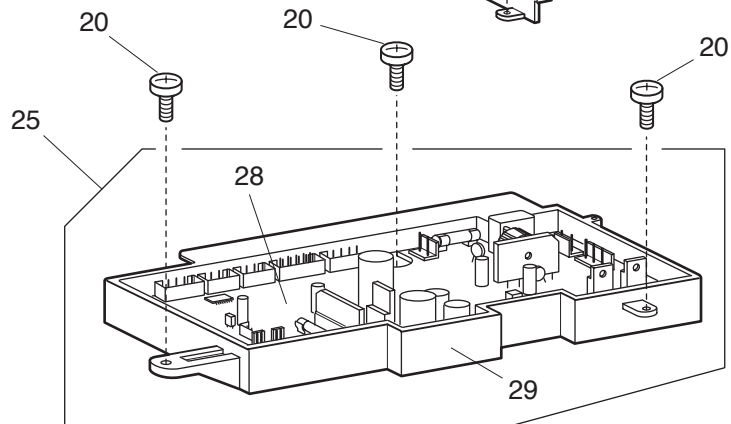
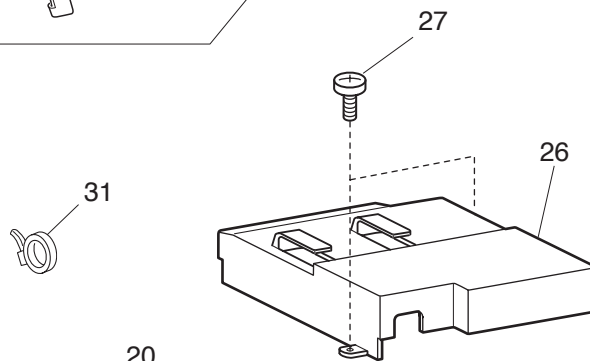
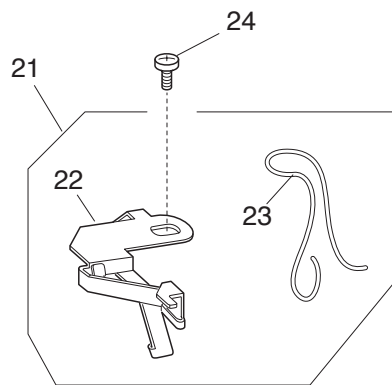
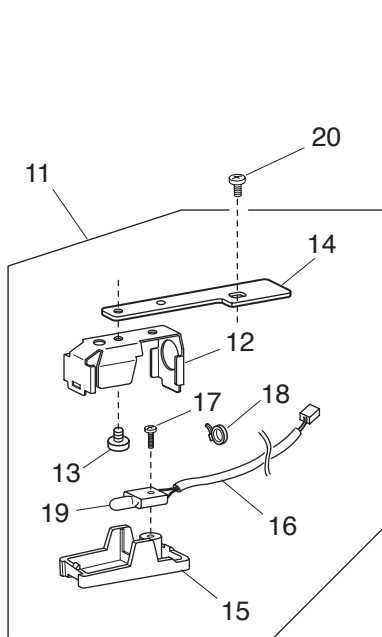
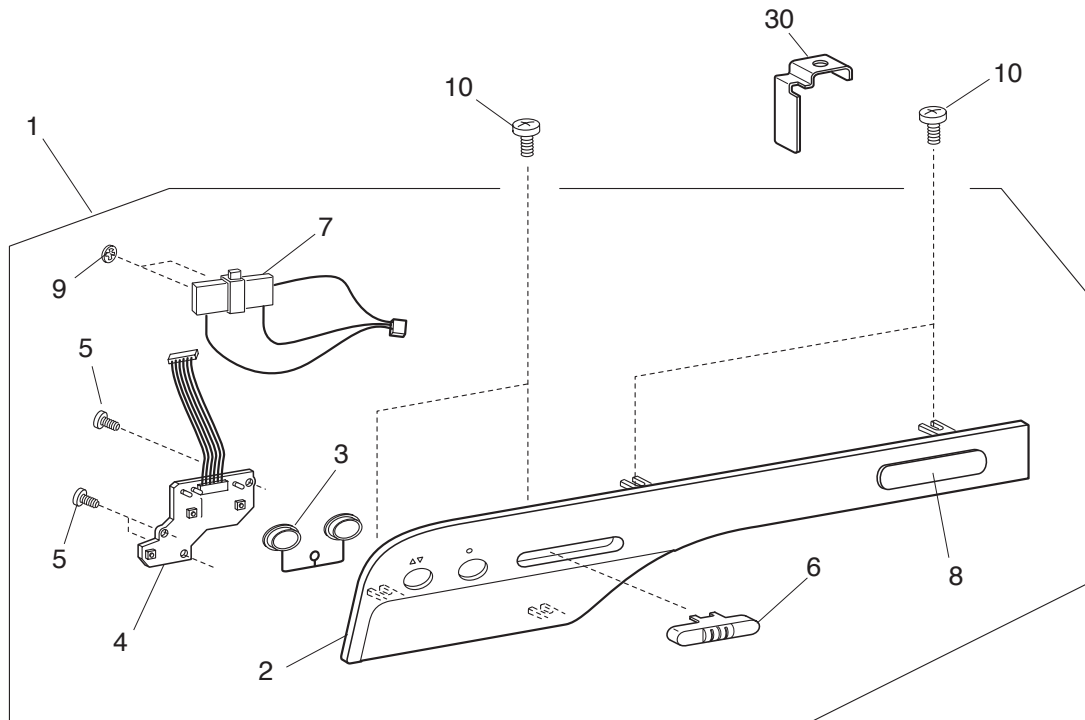
# PARTS LIST



# PARTS LIST

KEY NO.	PARTS NO.	DESCRIPTION
1	767605504	Belt cover (unit)
2	767011116	Belt cover
3	767014304	Stitch length window
4	767636009	Thread guide (unit)
5	784177000	Thread guide post
6	767015006	Thread guide bar
7	000115700	Setscrew TP 4x10
8	000170507	Setscrew 4x12
9	767010001	Motor cover
10	000101806	Setscrew 4x16
11	767653002	Motor (unit) 120V (U.S.A.) (Canada)
	767665007	Motor (unit) 230V (Australia) (UK) (Continental Europe)
12	014390106	Motor (unit) (U.S.A.) (Canada)
	023690211	Motor (unit) (Australia) (UK) (Continental Europe)
13	767507000	Printed circuit board V (unit)
14	767134002	Set plate
15	000103808	Setscrew 3x5
16	000062402	Nut 4-2-7 (U.S.A.) (Canada)
17	767135003	Motor bracket
18	000115504	Setscrew TP 5x10
19	767606907	Base (unit) (U.S.A.)
	767606918	Base (unit) (Canada)
	767606206	Base (unit) (Australia) (UK) (Continental Europe)
20	767012209	Base
21	767013004	Base cover
22	767188001	Table latch spring (2)
23	000171302	Setscrew 4x8 (B)
24	767187000	Table latch spring (1)
25	000101404	Setscrew 4x6
26	767643102	Bed rubber foot (unit)
27	797363005	Bed rubber foot
28	785260004	Bed rubber foot plate
29	784169010	Bed rubber foot screw
30	000070300	Washer
31	000053008	Cord binder
32	830312016	Sticker (U.S.A.)
	100045000	Sticker (Canada)
33	767541006	Jack cord (unit)
34	000071024	Washer 4

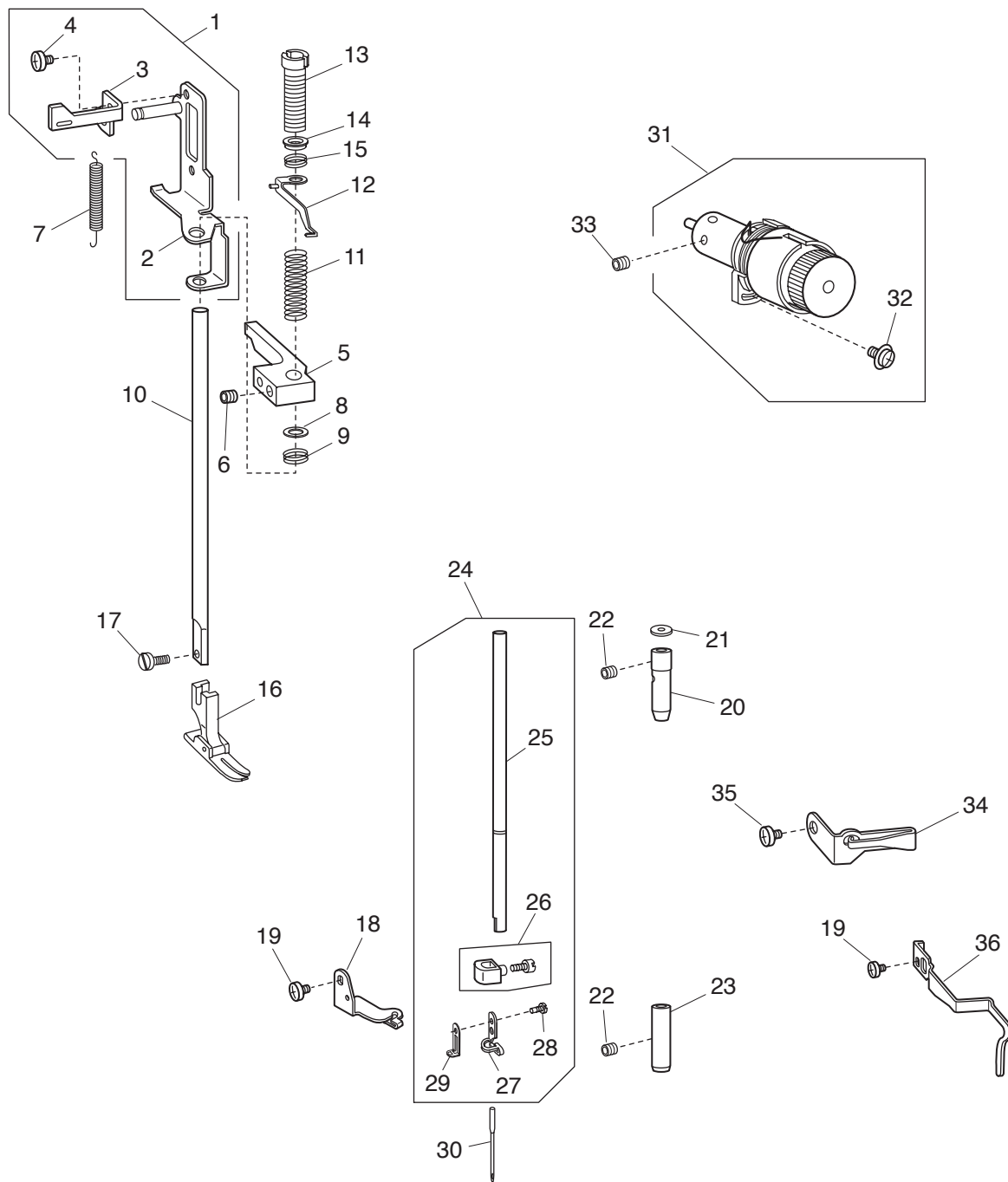
# PARTS LIST



# PARTS LIST

KEY NO.	PARTS NO.	DESCRIPTION
1	767601142	Ornamental plate (unit)
2	767003908	Ornamental plate
3	767004600	Button 1
4	767501004	Printed circuit board F (unit)
5	000120203	Setscrew 3x8
6	767140207	Speed control slider
7	767516002	Slide volume
8	767354000	Emblem
9	000014306	Snap ring CS-3
10	000115205	Setscrew TP 4x6
11	767626006	Arm lamp (unit)
12	767126001	Reflector plate
13	000101127	Setscrew 3x4
14	767127002	Arm lamp set plate
15	767128003	Lamp holder
16	501509806	Lamp socket (unit)
17	000225209	Setscrew 2.3x12 (B)
18	000053008	Cord binder
19	000026002	Wedge base lamp 12V 5W
20	000081005	Setscrew 4x8
21	767612009	Oil wick fixing plate (2) (unit)
22	767153007	Oil wick fixing plate
23	763033020	Oil wick
24	000101404	Setscrew 4x6
25	767627708	Printed circuit board A (unit) (U.S.A.) (Canada)
	767627801	Printed circuit board A (unit) (Australia) (UK) (Continental Europe)
26	767130008	Printed circuit board A case (upper)
27	000075109	Setscrew 3x12-2V
28	767532107	Printed circuit board A (unit) 120V (U.S.A.) (Canada)
	767536101	Printed circuit board A (unit) 230V (Australia) (UK) (Continental Europe)
29	767129004	Printed circuit board A case (lower)
30	767285009	Cord guide (2)
31	000053101	Cord binder

# PARTS LIST

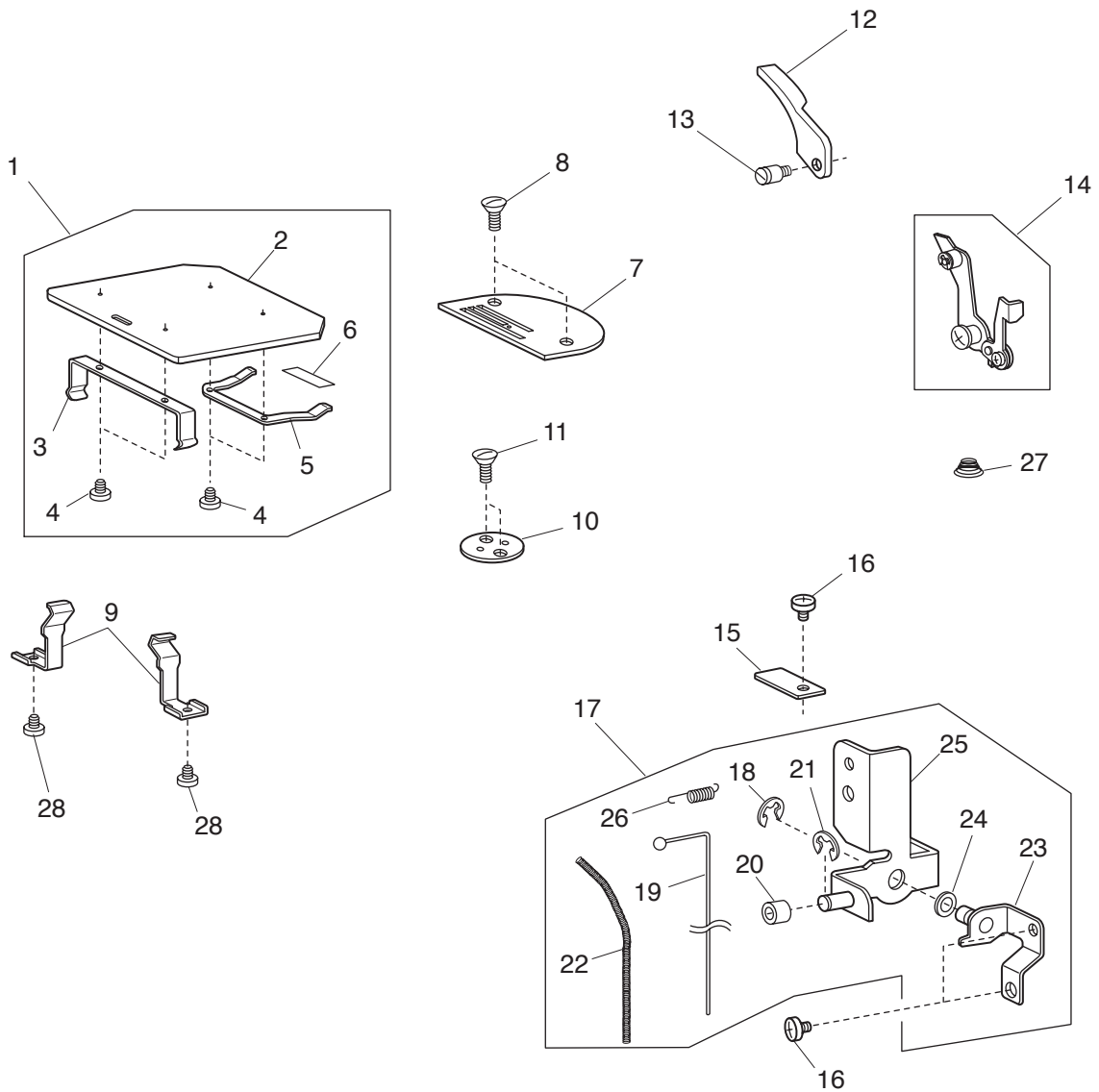




# PARTS LIST

KEY NO.	PARTS NO.	DESCRIPTION
1	767669001	Presser bar lifter (unit)
2	767026103	Presser bar lifter
3	767303004	Presser foot sensor plate
4	000103808	Setscrew 3x5
5	767027001	Presser bar bracket
6	000111304	Hexagonal socket screw 5x5
7	767222008	Spring
8	000036201	Washer FT-80
9	767225001	Spring
10	767028002	Presser bar
11	767029003	Presser bar spring
12	767030100	Presser foot pressure indicator
13	767031008	Presser foot pressure adjusting screw
14	767173003	Spacer
15	767172002	Presser foot support spring
16	762505003	Presser foot (unit) (U.S.A.) (Canada) (Australia)
	704511105	Presser foot (unit) (UK) (Continental Europe)
17	763048109	Setscrew
18	767039006	Arm thread guide (lower)
19	000101404	Setscrew 4x6
20	767041001	Needle bar bushing (upper)
21	767042002	Felt
22	000111201	Hexagonal socket screw 4x4
23	767091006	Needle bar bushing (lower)
24	767641030	Needle bar (unit)
25	767165013	Needle bar
26	767515001	Needle clamp (unit)
27	767209009	Needle bar thread guide
28	767210003	Setscrew
29	767169006	Needle guard
30	767401047	Needle HLx5-14
31	767502108	Thread tension (unit)
32	000114710	Setscrew TP 3x6
33	000111108	Hexagonal socket screw 4x6
34	767054007	Arm thread guide
35	000081119	Setscrew
36	767056009	Thread guide

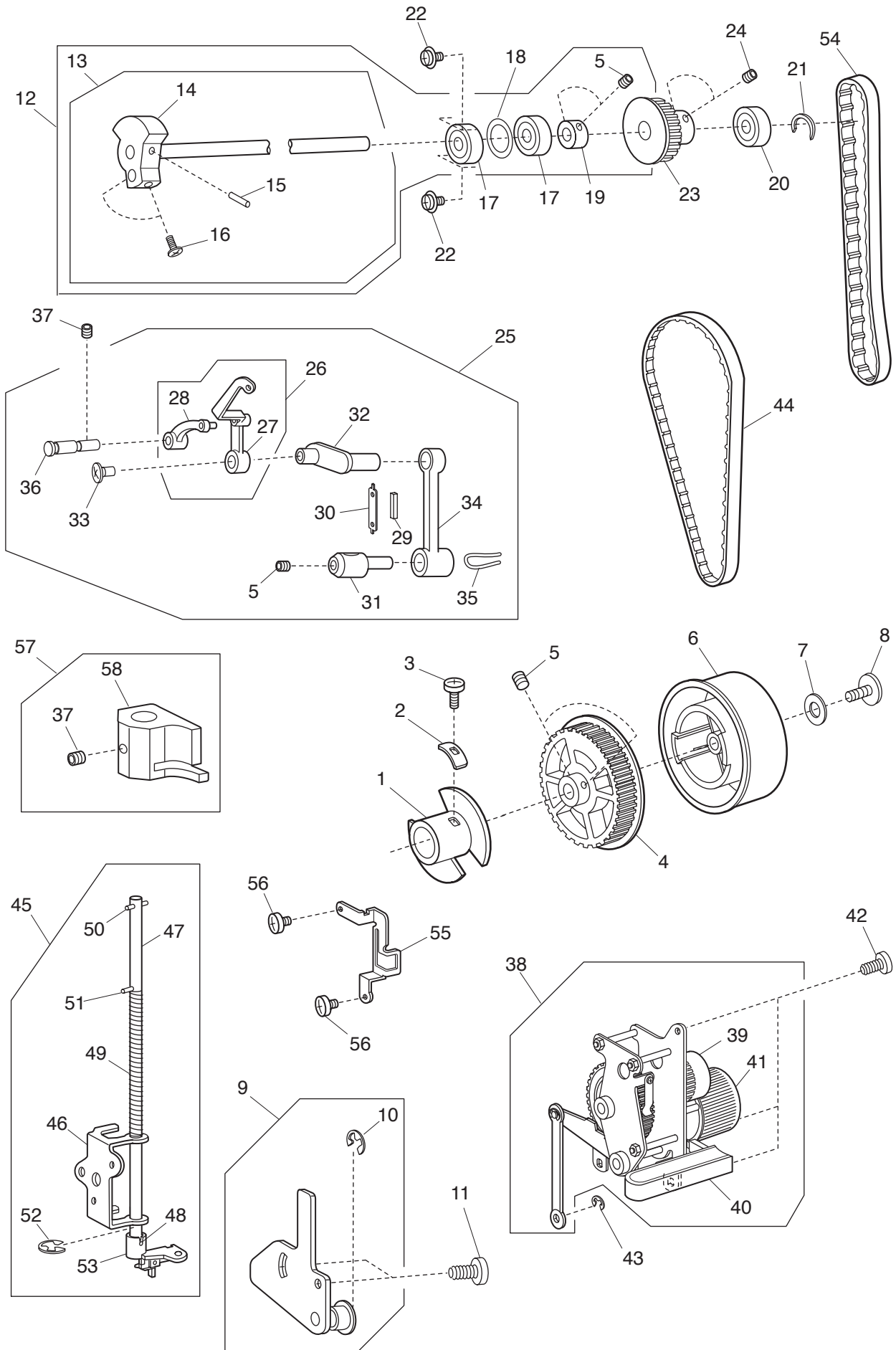
# PARTS LIST



# PARTS LIST

KEY NO.	PARTS NO.	DESCRIPTION
1	767609106	Hook cover plate (unit)
2	767018009	Hook cover plate
3	767019000	Hook cover plate spring
4	820374004	Setscrew 2x2.3
5	767020004	Hook cover plate supporter spring
6	767220006	Sticker
7	767281108	Needle plate
8	102053007	Setscrew
9	767017008	Hook cover plate retainer
10	767021005	Attachment mount
11	681009101	Setscrew
12	767171001	Presser foot lifter
13	846033008	Hinge screw
14	767650009	Thread tension release lever (unit)
15	767233002	Plate
16	000081005	Setscrew 4x8
17	767651103	Thread tension release base plate (unit)
18	000001609	Snap ring E-5
19	767530002	Wire (unit)
20	846210001	Roller
21	000002105	Snap ring E-3
22	767290007	Spring
23	767232001	Thread tension release base plate
24	000036500	Washer FT-60
25	767231000	Thread tension release crank
26	676222008	Spring
27	761045007	Thread tension release lever spring
28	000101404	Setscrew 4x6

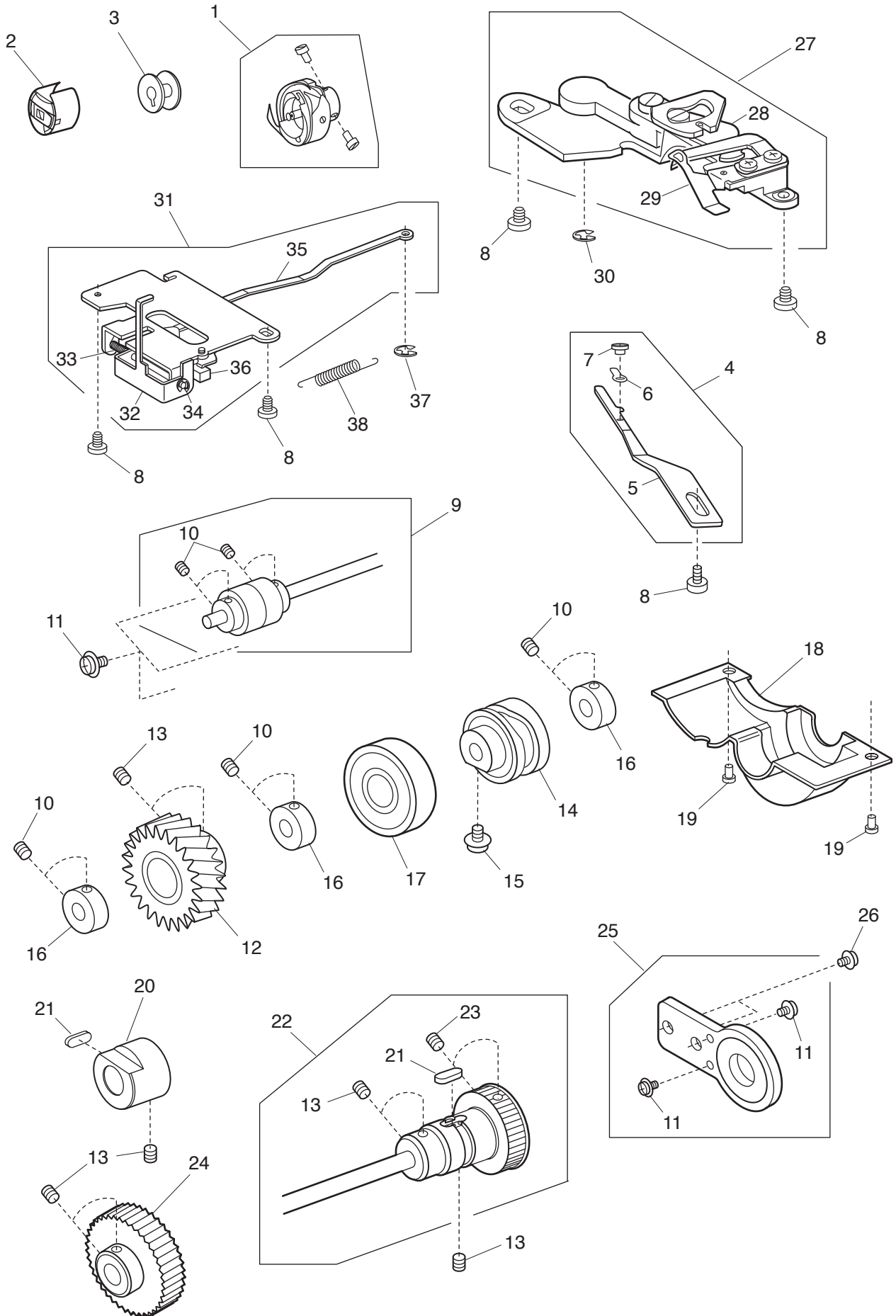
# PARTS LIST



# PARTS LIST

KEY NO.	PARTS NO.	DESCRIPTION
1	767271002	Upper shaft shield plate
2	820102009	Washer
3	000103509	Setscrew 4x10
4	767195012	Belt wheel
5	000111304	Hexagonal socket screw 5x5
6	767139100	Handwheel
7	556047007	Washer
8	618070004	Setscrew
9	767618005	Idler (unit)
10	000002806	Snap ring E-6
11	000115504	Setscrew TP 5x10
12	767697008	Upper shaft (unit)
13	767617004	Upper shaft (unit)
14	767065001	Take up lever crank
15	000028107	Spring pin 4x25
16	761102003	Setscrew
17	767304005	Ball bearing
18	767227003	Spacer
19	767077006	Ring
20	767178008	Ball bearing (6901ZZ)
21	000032702	Snap ring crescent (5103-46)
22	000115205	Setscrew TP 4x6
23	767070009	Upper shaft timing gear
24	000110107	Hexagonal socket screw WP 5x5
25	767682000	Take up lever (unit)
26	767503006	Take up lever (unit)
27	761088002	Take up lever
28	761089003	Take up lever supporter
29	650040005	Felt
30	650041006	Felt holder
31	767073013	Needle bar conn. stud
32	761086000	Needle bar crank pin
33	647139002	Setscrew
34	767072001	Needle bar crank rod
35	763033400	Oil wick
36	761091008	Take up lever pin
37	000111201	Hexagonal socket screw 4x4
38	767624004	Feed adjusting base (unit)
39	767118309	Indicator drum
40	767124124	Reverse stitch lever
41	767115100	Stitch length dial
42	000081005	Setscrew 4x8
43	000001609	Snap ring E-5
44	767136004	Timing belt
45	767632005	Needle threader (unit)
46	767034001	Needle threader plate
47	767032009	Needle threader shaft
48	000004808	Spring pin 2x6
49	767033000	Needle threader spring
50	000125208	Pin E 2x10 – CH
51	000125404	Pin G 2x14 – CH
52	000002105	Snap ring E-3
53	767633006	Needle threader guard plate (unit)
54	767071000	Timing belt
55	767168005	Needle threader guide plate
56	000103808	Setscrew 3x5
57	767634007	Needle threader positioning base (unit)
58	767043003	Needle threader positioning base

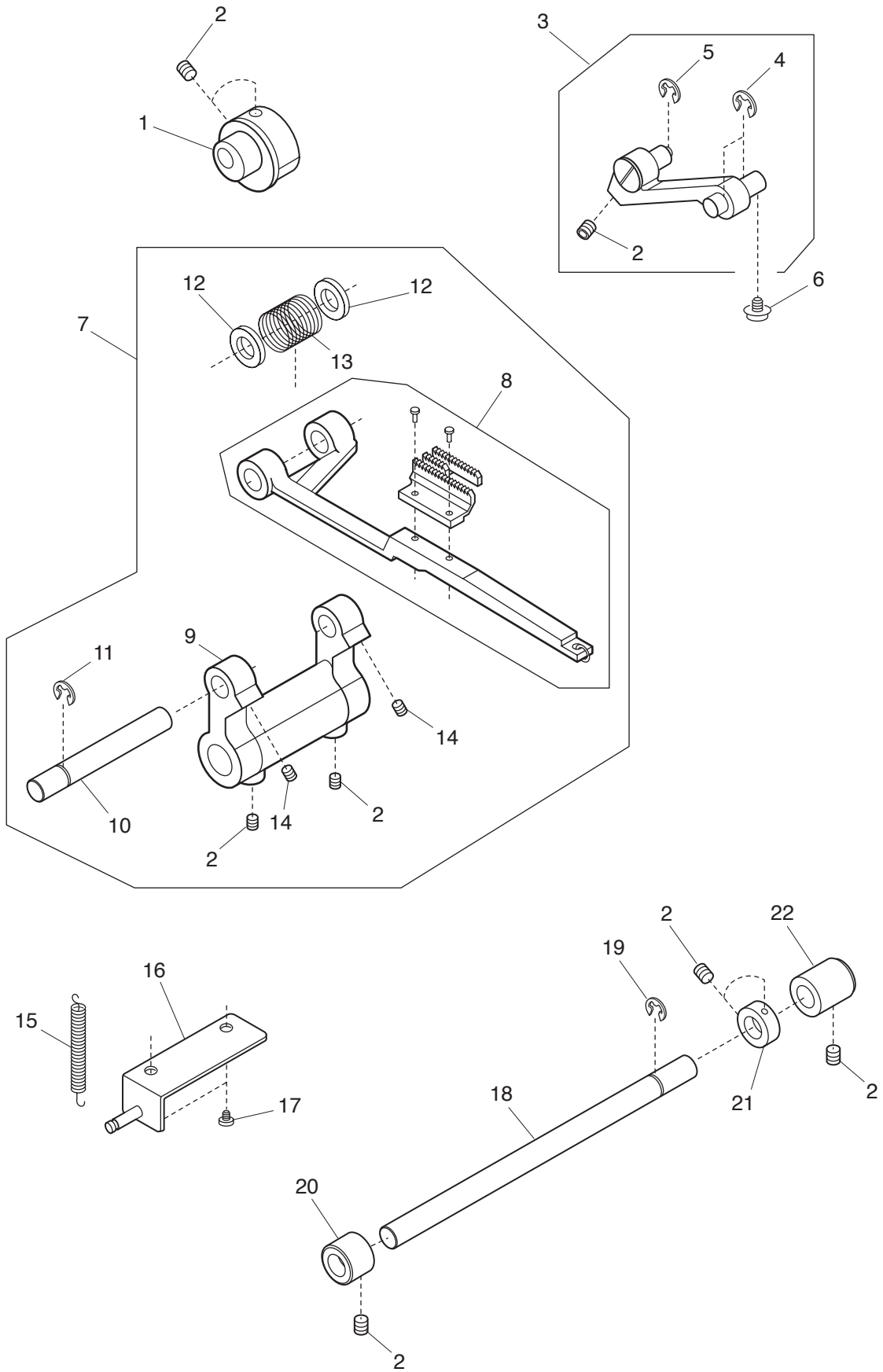
# PARTS LIST



# PARTS LIST

KEY NO.	PARTS NO.	DESCRIPTION
1	767510101	Hook race (unit)
2	767510006	Bobbin case (unit)
3	761094115	Bobbin
4	767518004	Hook race stopper (unit)
5	767079008	Hook race stopper
6	767201001	Hook race stopper spring
7	000169709	Setscrew 2x2.3
8	000081005	Setscrew 4x8
9	767698102	Hook race shaft (unit)
10	000111201	Hexagonal socket screw 4x4
11	000115205	Setscrew TP 4x6
12	767081003	Hook race gear
13	000111304	Hexagonal socket screw 5x5
14	767241003	Thread cutter cam
15	000114606	Setscrew TP 3x14
16	820166001	Lower shaft ring
17	767182005	Ball bearing (698Z)
18	767084006	Gear cover
19	000101404	Setscrew 4x6
20	767085007	Lower shaft bushing
21	767067003	Felt
22	767644000	Lower shaft (unit)
23	000110107	Hexagonal socket screw WP 5x5
24	767221007	Lower shaft gear
25	767613000	Lower shaft supporter (unit)
26	000114802	Setscrew TP 4x12
27	767657006	Auto-thread cutter (unit)
28	767264002	Thread cutter blade
29	767266004	Thread guide plate
30	000001609	Snap ring E-5
31	767658007	Thread drawing lever (unit)
32	767268006	Thread drawing lever
33	767280004	Spring
34	000002105	Snap ring E-3
35	767251006	Link
36	767259004	Cushion 3
37	000002507	Snap ring E-4
38	767276007	Spring

# PARTS LIST

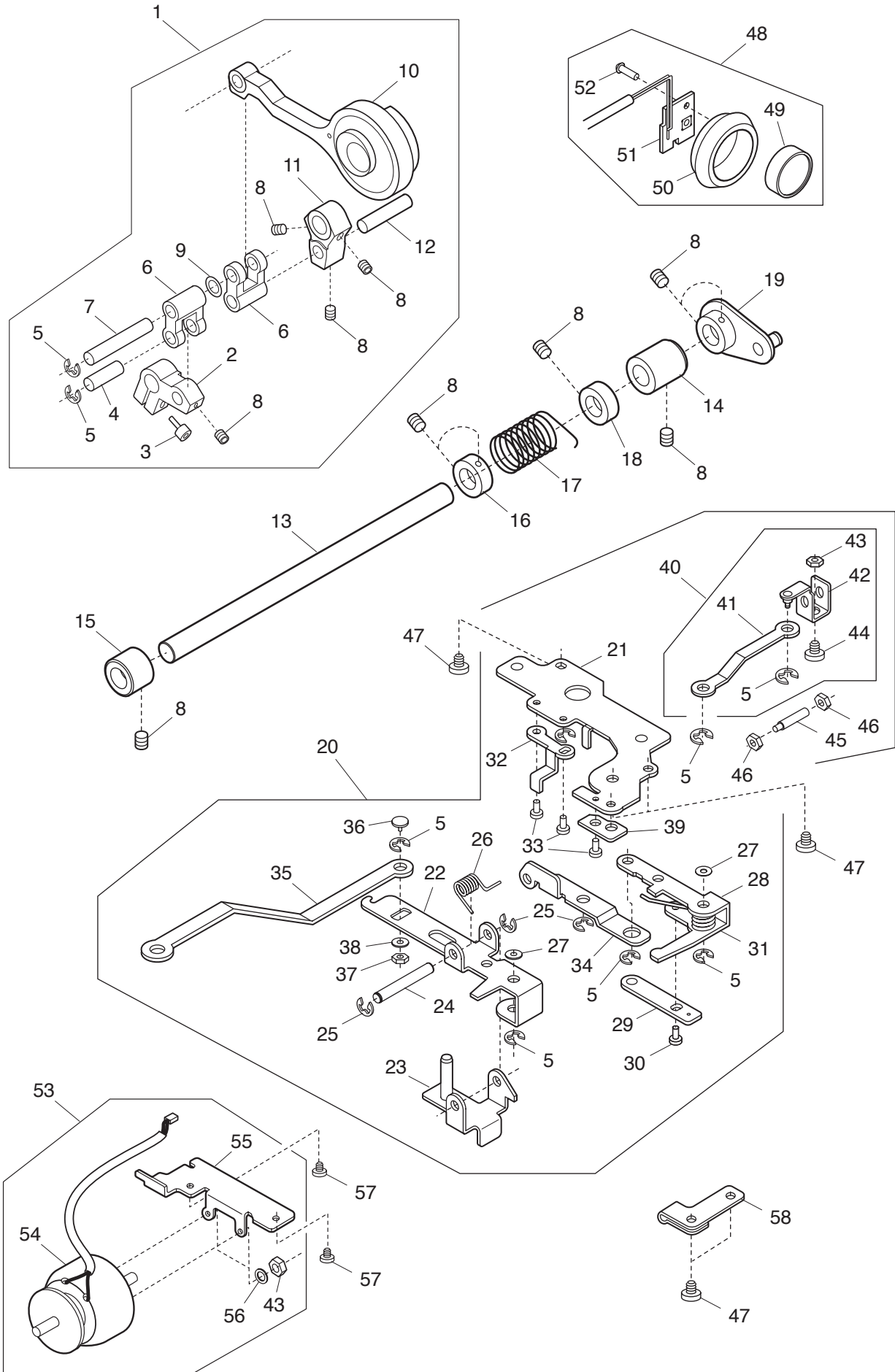




# PARTS LIST

KEY NO.	PARTS NO.	DESCRIPTION
1	767089001	Feed lifting cam
2	000111304	Hexagonal socket screw 5x5
3	767620000	Feed link (unit)
4	000002909	Snap ring E-7
5	000002507	Snap ring E-4
6	000114802	Setscrew TP 4x12
7	767619109	Feed base (unit) (1)
8	767621104	Feed base (unit) (2)
9	767094009	Feed rock arm
10	767095000	Feed rock arm pin
11	000001609	Snap ring E-5
12	822063003	Felt (2)
13	767212005	Felt holder spring
14	000111201	Hexagonal socket screw 4x4
15	767120005	Feed base spring
16	767121006	Spring attach plate
17	000101404	Setscrew 4x6
18	767096001	Feed rock shaft
19	000030205	Snap ring E-8
20	767097002	Bushing (Front)
21	639095000	Ring
22	767099004	Bushing (Rear)

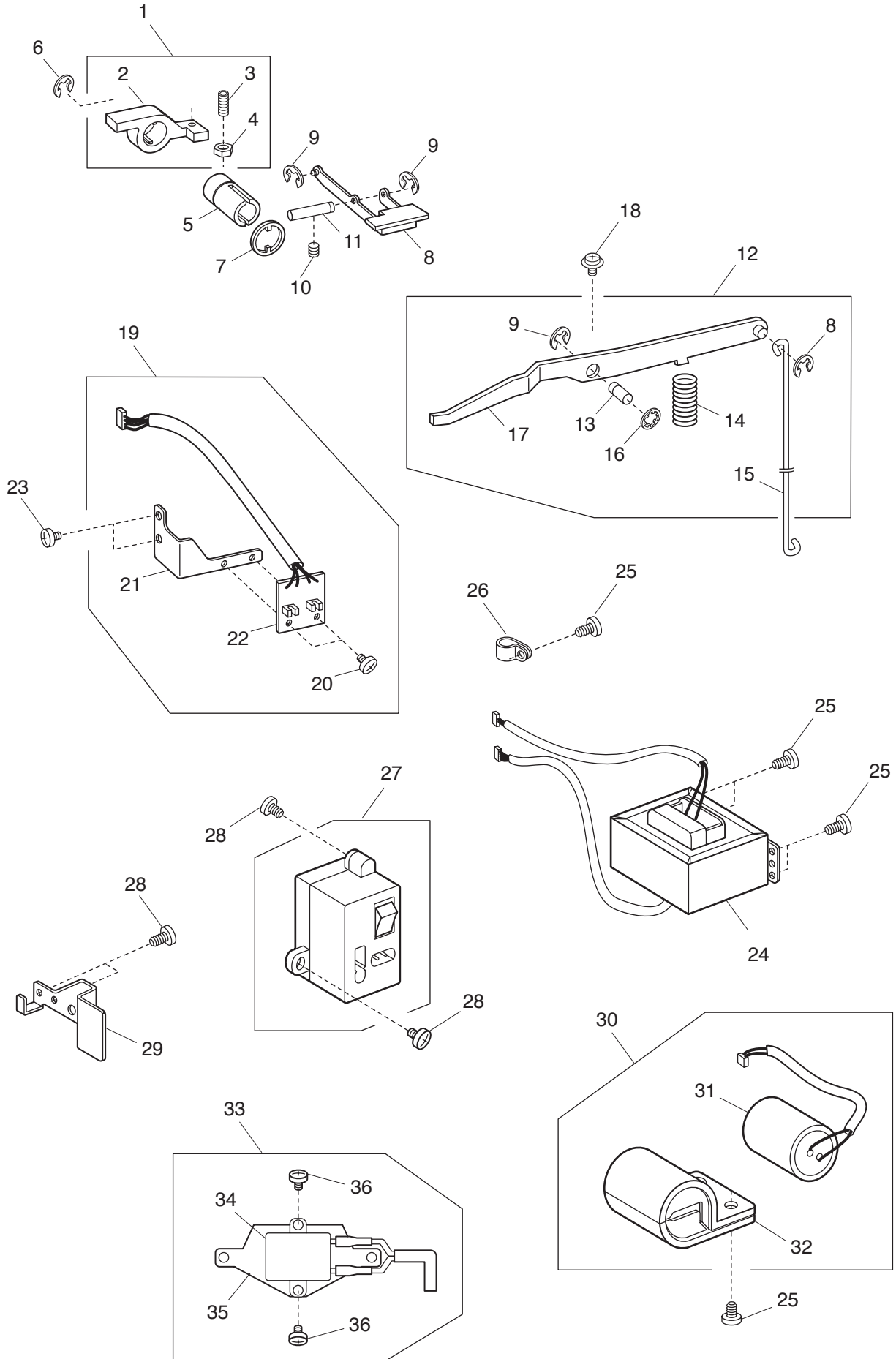
# PARTS LIST



# PARTS LIST

KEY NO.	PARTS NO.	DESCRIPTION
1	767663005	Feed regulator (unit)
2	767100009	Feed adjusting arm
3	000218106	Bolt 5x16
4	767101000	Pin
5	000001609	Snap ring E-5
6	767102001	Feed link
7	767106005	Pin
8	000111304	Hexagonal socket screw 5x5
9	767157001	Washer
10	767664006	Feed cam (unit)
11	767107006	Feed adjusting arm
12	767159003	Pin
13	767108007	Feed adjusting shaft
14	767099004	Bushing (rear)
15	767097002	Bushing (front)
16	639095000	Lower shaft ring
17	767111003	Feed regulator spring
18	639095103	Lower shaft ring
19	767112004	Feed adjusting arm
20	767654003	Thread cutter driving base (unit)
21	767242004	Driving arm base plate
22	767244006	Driving arm
23	767243005	Link
24	767253008	Driving arm pin
25	000002507	Snap ring E-4
26	767247005	Cam spring
27	000036108	Washer FT-70
28	767245007	Driving lever
29	767252007	Thread drawing arm
30	000101404	Setscrew 4x6
31	767275006	Spring
32	767282006	Guard plate
33	000103004	Setscrew 3.5x6
34	767246008	Thread tension release arm
35	767247009	Thread cutter link
36	767248000	Hinge screw (3)
37	000061102	Nut 4-1-7
38	000070506	Washer 4
39	767289003	Limiter plate
40	767656005	Link (unit)
41	767249001	Link
42	767250005	Coupling
43	000061319	Nut 5-1-8
44	000102003	Setscrew 5x10
45	767238007	Wire joint
46	000061412	Nut 5-3-8
47	000081005	Setscrew 4x8
48	767661405	Thread cutter button (unit)
49	767283306	Button (2)
50	767284008	Button holder
51	767542007	Printed circuit board UD (unit)
52	000161701	Setscrew 2.3x5 (B)
53	767655200	Solenoid (unit)
54	767534109	Push-pull solenoid (unit)
55	767254009	Set plate
56	000070300	Washer 5
57	000115504	Setscrew TP 5x10
58	767235004	Plate (2)

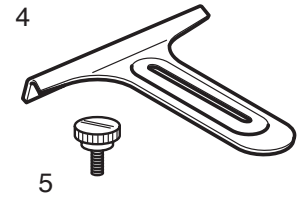
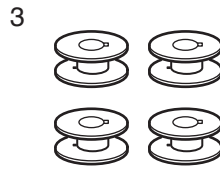
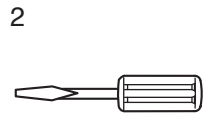
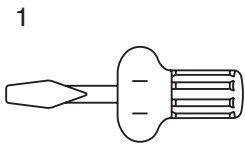
# PARTS LIST



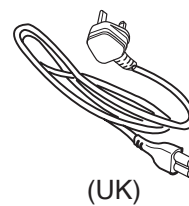
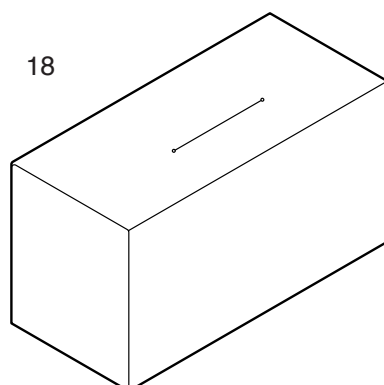
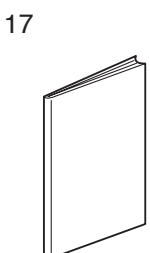
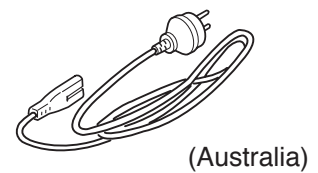
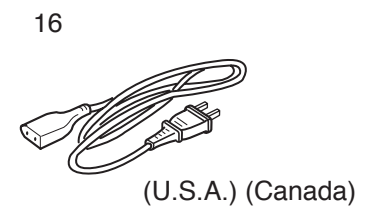
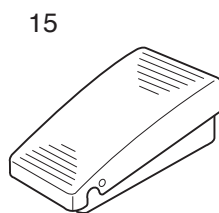
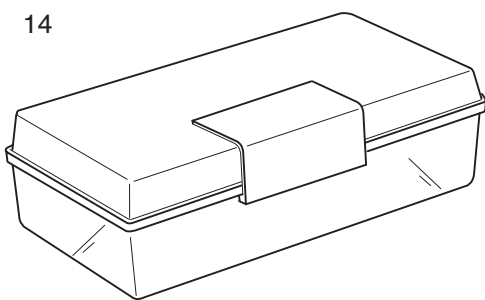
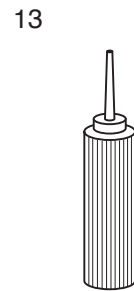
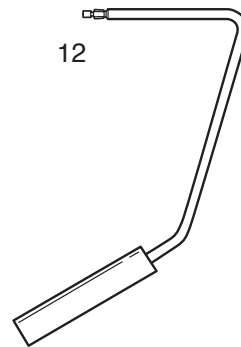
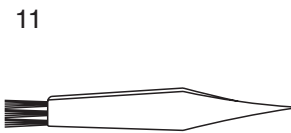
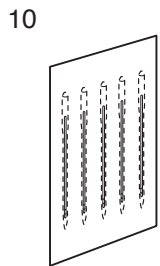
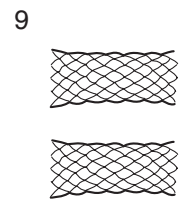
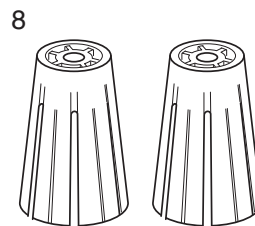
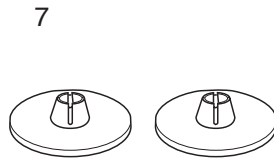
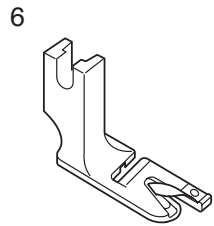
# PARTS LIST

KEY NO.	PARTS NO.	DESCRIPTION
1	767642008	Knee lifter lever (1) (unit)
2	767057000	Knee lifter lever (1)
3	000196107	Hexagonal socket screw 5x20 (Ball point)
4	000061412	Nut
5	767058001	Knee lifter shaft
6	000030009	Snap ring E-10
7	767352008	Stopper
8	767060006	Knee lifter lever (2)
9	000001609	Snap ring E-5
10	000111201	Hexagonal socket screw 4x4
11	767059002	Shaft
12	767616003	Knee lifter lever (3) (unit)
13	767062008	Knee lifter lever shaft
14	846173001	Knee lifter lever spring
15	767063009	Presser foot lifter rod
16	000013800	Snap ring CS-6
17	846171009	Knee lifter lever (unit)
18	000115700	Setscrew TP 4x10
19	767631004	Upper shaft sensor (unit)
20	000103808	Setscrew 3x5
21	767131009	Sensor fixing plate
22	843505409	Printed circuit board P (unit)
23	000066705	Setscrew 3x8
24	767533005	Transformer (unit) 120V (U.S.A.) (Canada)
	767537009	Transformer (unit) 230V (Australia) (UK) (Continental Europe)
25	000081005	Setscrew 4x8
26	000188601	Cord binder
27	767660002	Machine socket (unit) (U.S.A.) (Canada)
	767666008	Machine socket (unit) (Australia) (UK) (Continental Europe)
28	000103509	Setscrew 4x10
29	767237006	Cord binder (1)
30	767659008	Capacitor (unit)
31	767535007	Capacitor
32	767279000	Capacitor case
33	767667009	Noise filter (unit) (Australia) (UK) (Continental Europe)
34	767538000	Noise filter (unit)
35	767277008	Noise filter set plate
36	000103808	Setscrew 3x5

# PARTS LIST



5



# PARTS LIST

KEY NO.	PARTS NO.	DESCRIPTION
1	820832005	Large screwdriver
2	647803004	Small screwdriver
3	761094115	Bobbin
4	200100801	Cloth guide
5	825252000	Thumb screw
6	761172004	Hemmer foot
7	822020503	Spool cap
8	784223105	Spool holder
9	624806006	Net
10	767802008	Assorted needle set
11	802424004	Lint brush
12	846417000	Knee lifter (unit)
13	762456204	Oil
14	366401400	Accessory box
15	043670206	Foot control
16	653524007	Power supply cord (U.S.A.) (Canada)
	830314018	Power supply cord (Australia)
	830377008	Power supply cord (UK)
	830335004	Power supply cord (Continental Europe)
17	767800279	Instruction book (English/Spanish/French)
	767800327	Instruction book (Swedish/Norwegian/Danish)
18	767805001	Cover