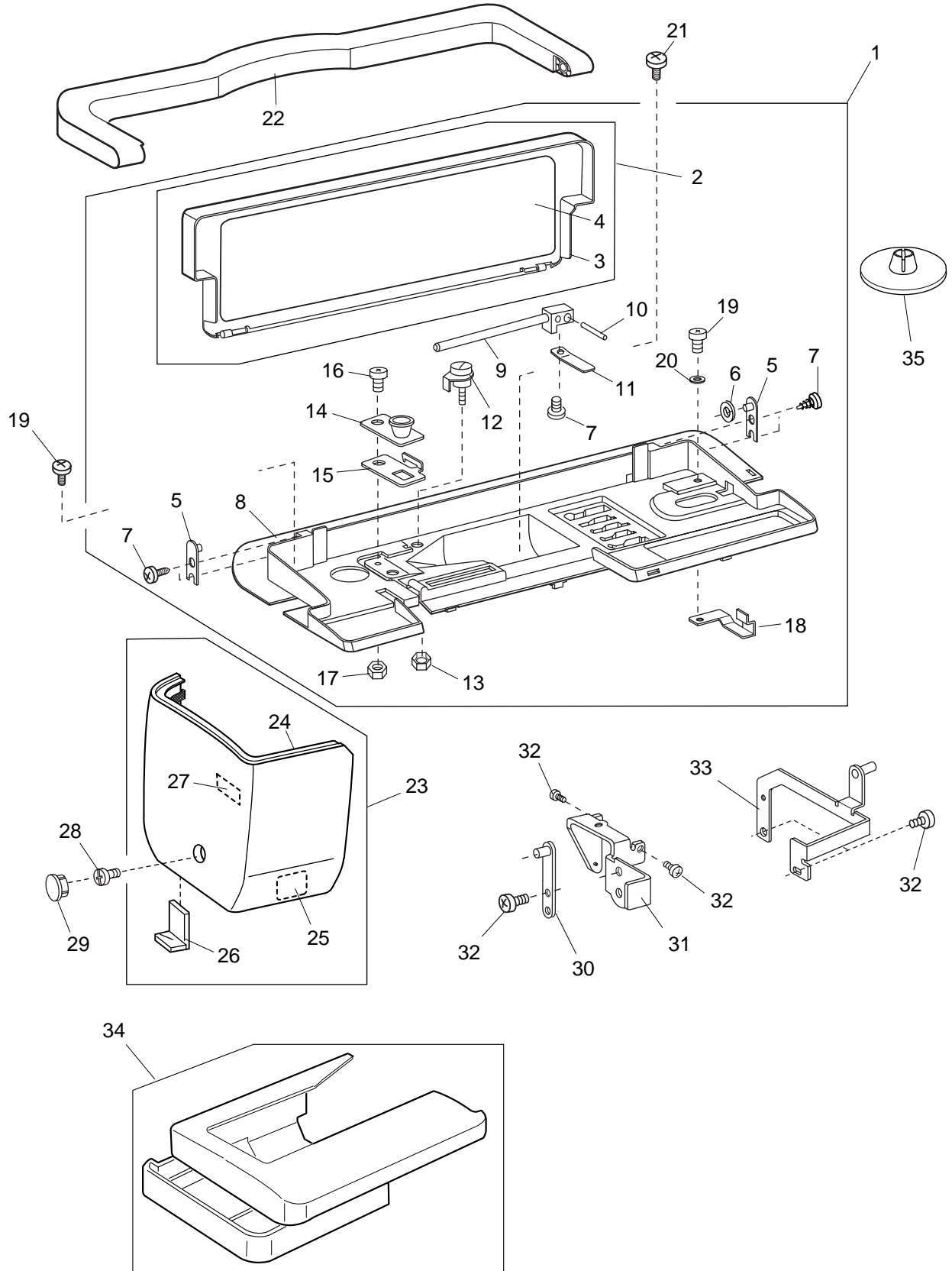


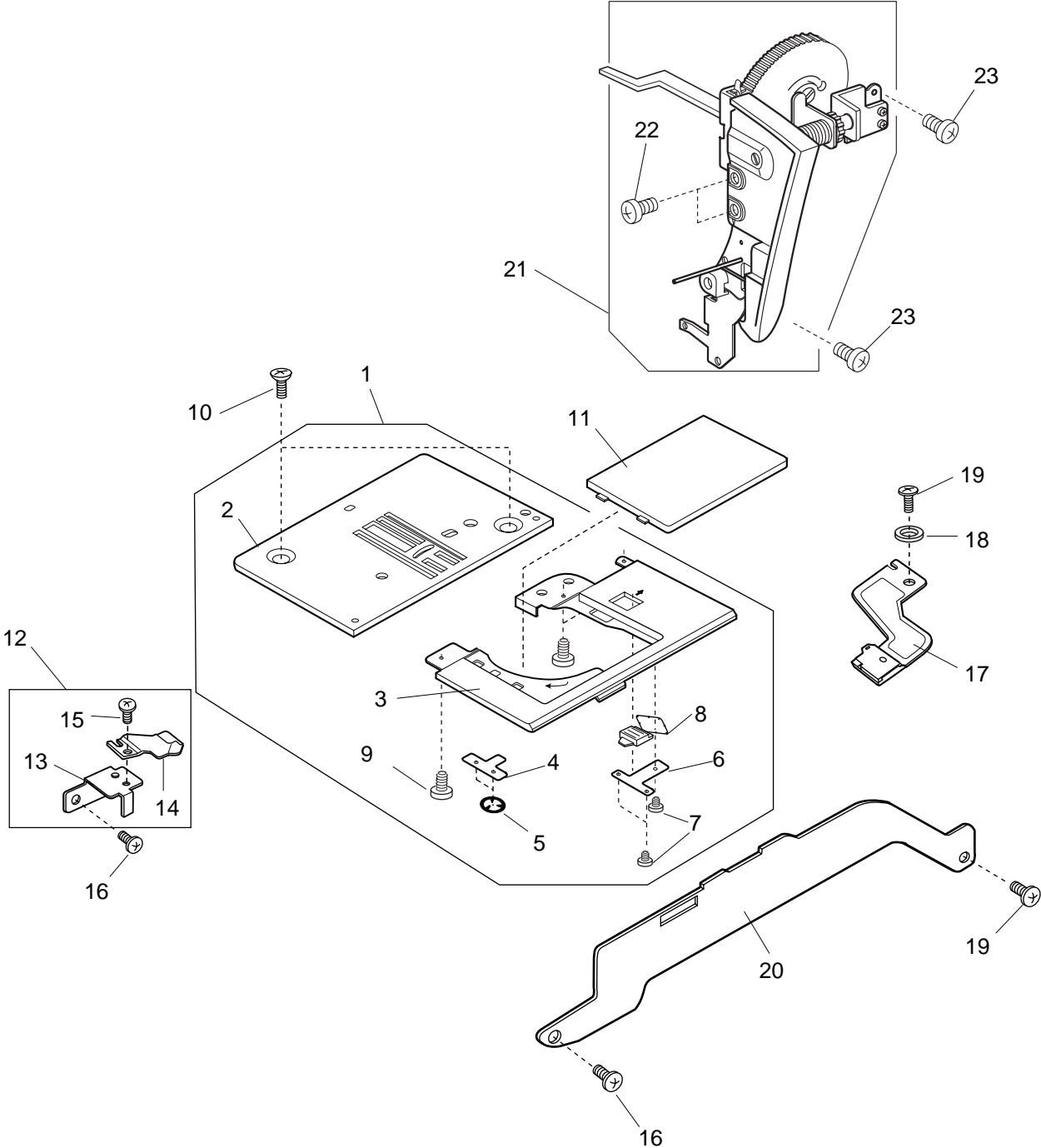
PARTS LIST



PARTS LIST

| KEY | PARTS | DESCRIPTION |
|-----|-----------|-----------------------------|
| NO. | NO. | |
| 1 | 503603003 | TOP COVER COMPLETE UNIT |
| 2 | 503604004 | TOP COVER UNIT |
| 3 | 503009003 | TOP COVER LID |
| 4 | 503010007 | REFERENCE CHART |
| 5 | 830013003 | TOP COVER HINGE |
| 6 | 830190005 | WASHER |
| 7 | 000120214 | SETSCREW 3X8 |
| 8 | 503011008 | TOP COVER |
| 9 | 822016609 | SPOOL PIN |
| 10 | 822018003 | SPOOL PIN SHAFT |
| 11 | 822018003 | SPOOL PIN SPRING |
| 12 | 730501011 | THREAD GUIDE PLATE UNIT |
| 13 | 000160102 | ADJUSTABLE LOCKNUT 4 |
| 14 | 753502002 | TOP COVER THREAD GUIDE UNIT |
| 15 | 840138006 | TOP COVER THREAD GUIDE |
| 16 | 639093006 | FLAT SCREW |
| 17 | 000062701 | HEXAGONAL NUT |
| 18 | 503144001 | BOBBIN WINDER STOPPER |
| 19 | 000078342 | SETSCREW 3X6 |
| 20 | 000070230 | PLANE WASHER 3 |
| 21 | 000103417 | SETSCREW 4X8 |
| 22 | 503605005 | CARRYING HANDLE UNIT |
| 23 | 503606006 | FACE PLATE UNIT |
| 24 | 503015105 | FACE PLATE |
| 25 | 366076000 | STICKER |
| 26 | 840602006 | THREAD CUTTER UNIT |
| 27 | 100411207 | LAMP STICKER |
| 28 | 000103509 | SETSCREW 4X10 |
| 29 | 653006101 | CAP |
| 30 | 503014001 | HANDLE BRACKET FRONT-2 |
| 31 | 503025005 | HANDLE BRACKET FRONT |
| 32 | 000081005 | SETSCREW 4X8 |
| 33 | 503104009 | HANDLE BRACKET REAR |
| 34 | 503506005 | EXTENSION TABLE UNIT |
| 35 | 822020503 | SPOOL HOLDER LARGE |

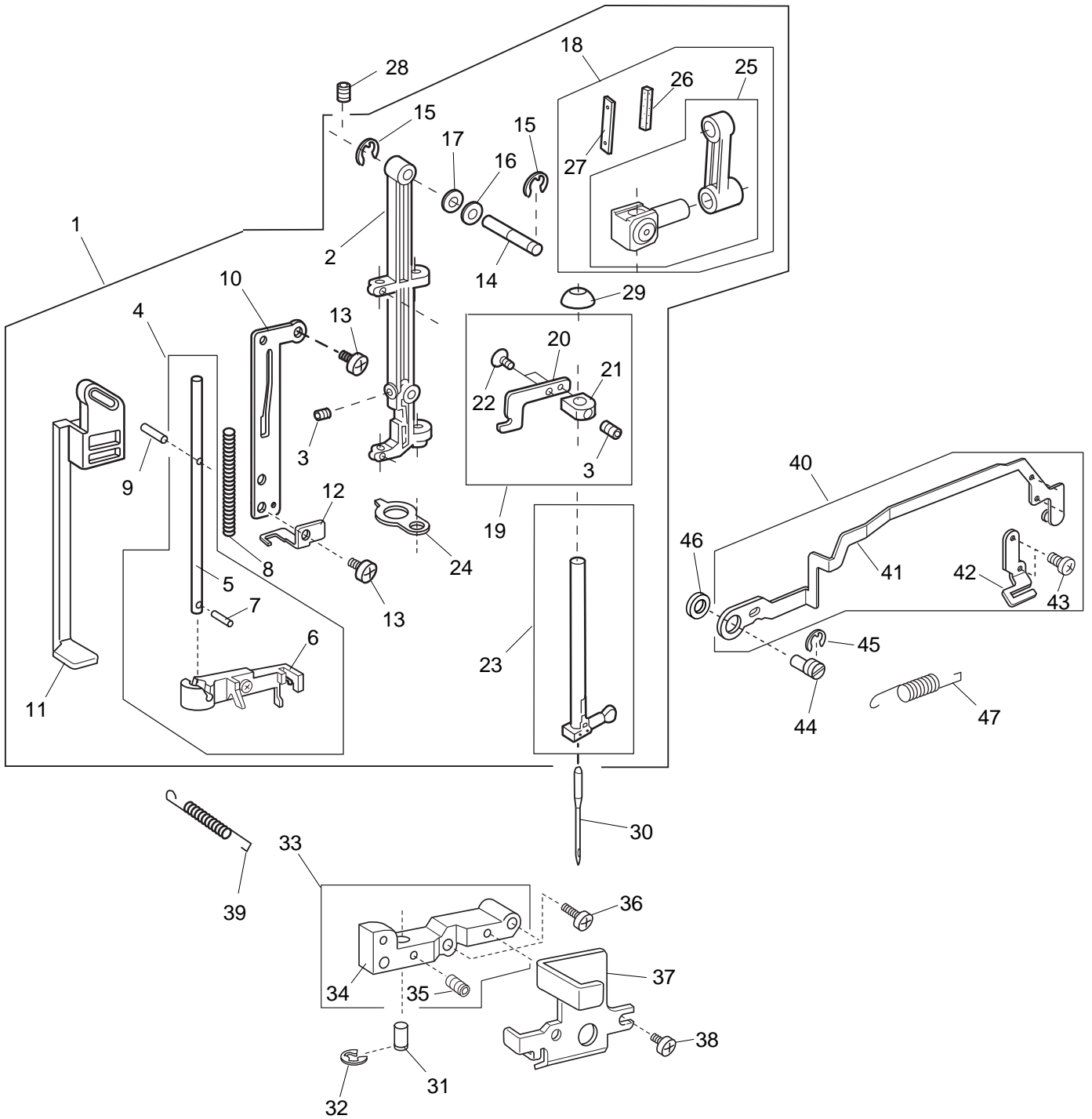
PARTS LIST



PARTS LIST

| KEY | PARTS | DESCRIPTION |
|-----|-----------|---------------------------------|
| NO. | NO. | |
| 1 | 503601001 | NEEDLE PLATE UNIT |
| 2 | 503006000 | NEEDLE PLATE |
| 3 | 502014008 | SUB NEEDLE PLATE |
| 4 | 502015009 | HOOK COVER PLATE HOLDER SPRING |
| 5 | 000015503 | SNAP RING CS 2.4 |
| 6 | 502202005 | HOOK COVER PLATE HOLDING PLATE |
| 7 | 000130103 | TAPPING SCREW 1.7 X 3 |
| 8 | 502016000 | HOOK COVER PLATE RELEASE BUTTON |
| 9 | 000096911 | SETSCREW 2 X 3.5 |
| 10 | 502213009 | SETSCREW |
| 11 | 502017104 | HOOK COVER PLATE |
| 12 | 503630009 | BOBBIN HOLDER STOPPER UNIT |
| 13 | 503141008 | BOBBIN HOLDER STOPPER SET PLATE |
| 14 | 502018002 | BOBBIN HOLDER STOPPER |
| 15 | 000101105 | SETSCREW 3 X 4 |
| 16 | 000101404 | SETSCREW 4 X 6 |
| 17 | 503602002 | SHUTTLE HOOK STOPPER UNIT |
| 18 | 000071013 | WASHER |
| 19 | 810220003 | SETSCREW |
| 20 | 503008002 | NEEDLE PLATE FIXING PLATE |
| 21 | 503638007 | THREAD TENSION REGULATOR UNIT |
| 22 | 000101105 | SETSCREW 3 X 4 |
| 23 | 000081005 | SETSCREW 4 X 8 |

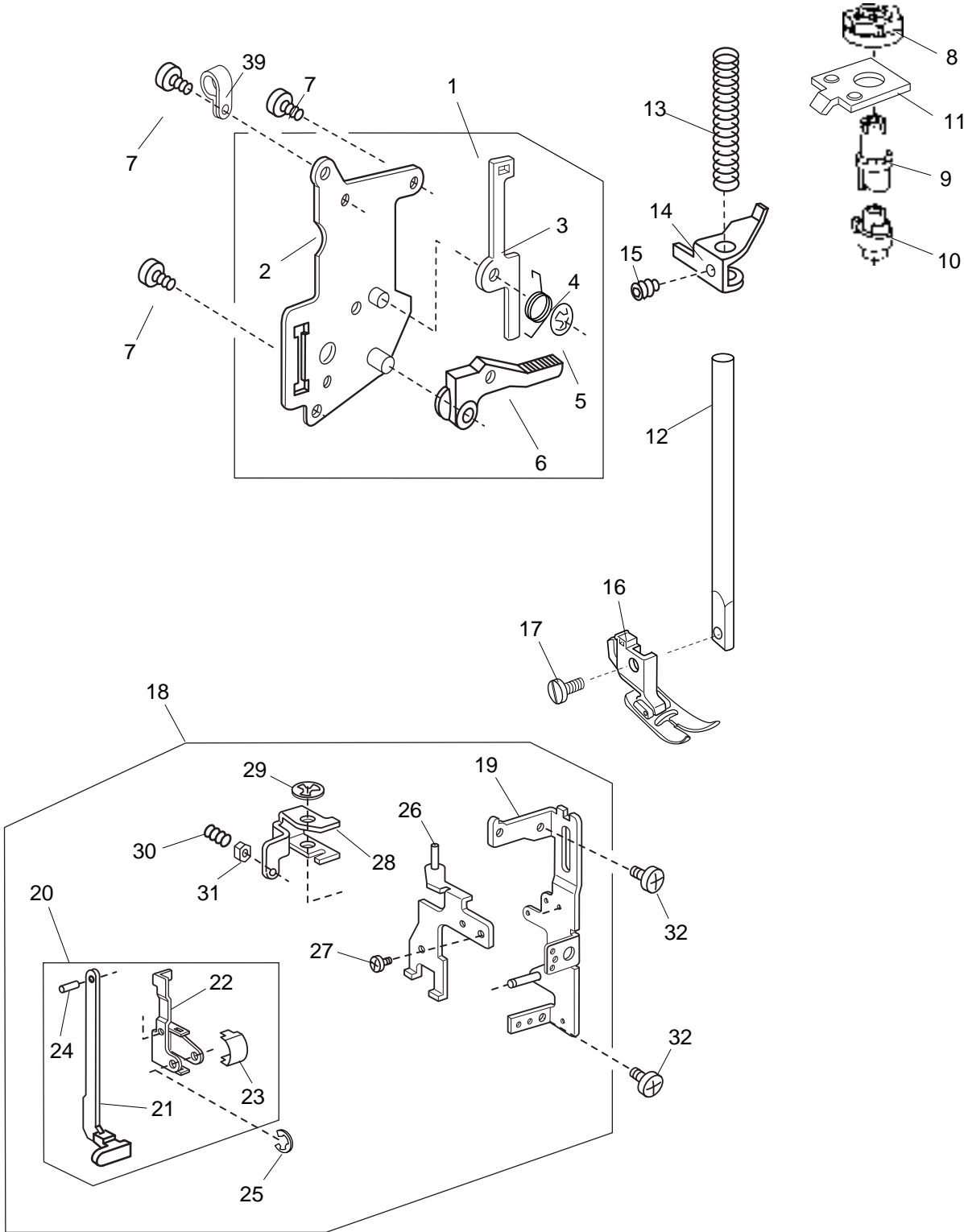
PARTS LIST



PARTS LIST

| KEY PARTS | | DESCRIPTION |
|-----------|-----------|--|
| NO. | NO. | |
| 1 | 840647209 | NEEDLE BAR SUPPORTER UNIT |
| 2 | 827026010 | NEEDLE BAR SUPPORTER |
| 3 | 000111902 | HEXAGONAL SOCKET SCREW 3 X 4 |
| 4 | 840646002 | NEEDLE THREADER SHAFT UNIT |
| 5 | 840036003 | NEEDLE THREADER SHAFT |
| 6 | 755643002 | NEEDLE THREADER PLATE UNIT |
| 7 | 000003508 | SPRING PIN 2 X 8 |
| 8 | 840035002 | NEEDLE THREADER SPRING |
| 9 | 000125105 | PIN |
| 10 | 840033000 | NEEDLE THREADER FRAME |
| 11 | 840034001 | NEEDLE THREADER LEVER |
| 12 | 840037004 | NEEDLE THREADER LEVER GUIDE |
| 13 | 000078319 | SETSCREW 3 X 6 |
| 14 | 503042008 | NEEDLE BAR SUPPORTER PIN |
| 15 | 000002507 | SNAP RING E-4 |
| 16 | 000070609 | WASHER |
| 17 | 673022002 | WASHER |
| 18 | 653612003 | NEEDLE BAR CONNECTING STUD COMPLETE UNIT |
| 19 | 734625003 | THREADER POSITION SET PLATE UNIT |
| 20 | 734101008 | THREADER POSITION SET PLATE |
| 21 | 734102009 | THREADER POSITION SET HOLDER |
| 22 | 000097602 | SETSCREW 2 X 4 |
| 23 | 653503103 | NEEDLE BAR UNIT |
| 24 | 829027006 | SUPPORTER GUIDE PLATE |
| 25 | 653504001 | NEEDLE BAR CONNECTING STUD COMPLETE UNIT |
| 26 | 650040005 | FELT |
| 27 | 650041006 | FELT SET SPRING |
| 28 | 000111201 | HEXAGONAL SOCKET SCREW 4 X 4 |
| 29 | 827098002 | WASHER |
| 30 | 102408089 | NEEDLE HA1 - 14 |
| 31 | 827083004 | SUPPORTER GUIDE PIN |
| 32 | 000002105 | SNAP RING E-3 |
| 33 | 503645007 | SUPPORTER ADJUSTING PLATE UNIT |
| 34 | 503023003 | SUPPORTER ADJUSTING PLATE |
| 35 | 000216805 | HEXAGONAL SOCKET SCREW 3X3 |
| 36 | 000093309 | SETSCREW 4X14 |
| 37 | 503024004 | ARM THREAD GUIDE |
| 38 | 000078319 | SETSCREW 3X6 |
| 39 | 845020009 | NEEDLE BAR SUPPORTER SPRING |
| 40 | 503647009 | ZIGZAG WIDTH ROD FRONT UNIT |
| 41 | 503086004 | ZIGZAG WIDTH ROD FRONT |
| 42 | 503162005 | ZIGZAG WIDTH ADJUSTING PLATE PIN GUIDE |
| 43 | 000103808 | SETSCREW 3X5 |
| 44 | 502174007 | ECCENTRIC PIN |
| 45 | 000002806 | SNAP RING E-6 |
| 46 | 503163006 | ECCENTRIC PIN WASHER |
| 47 | 502175008 | NEEDLE BAR SUPPORTER SPRING |

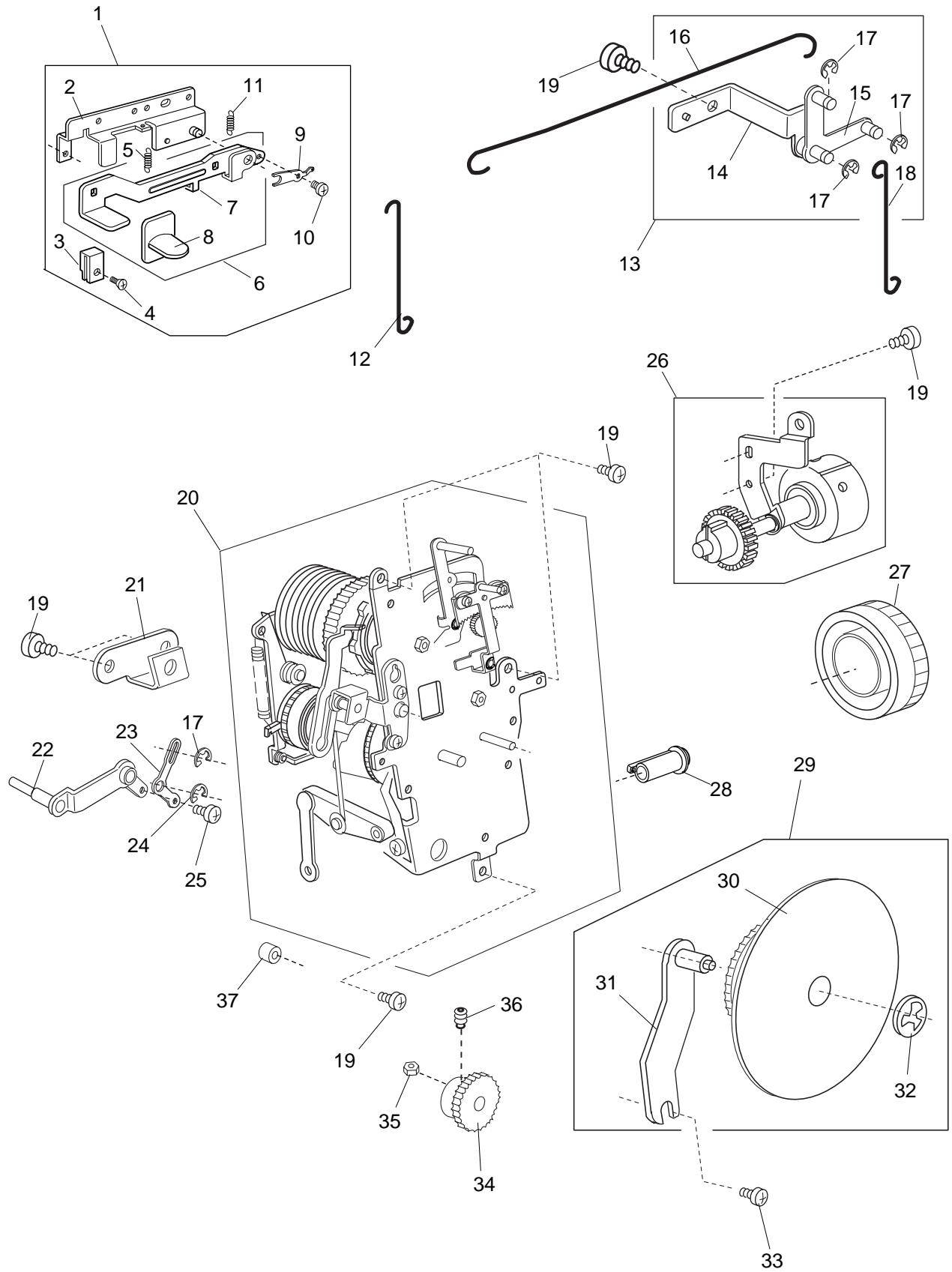
PARTS LIST



PARTS LIST

| KEY NO. | PARTS NO. | DESCRIPTION |
|------------|--------------|-------------------------------|
| 1 | 503607007 | PRESSER BASE PLATE UNIT |
| 2 | 503016003 | PRESSER BASE PLATE |
| 3 | 502023000 | TENSION RELEASING LEVER |
| 4 | 503041007 | TENSION RELEASING SPRING |
| 5 | 000014007 | SNAP RING CS 4 |
| 6 | 502024001 | PRESSER BAR LIFTER |
| 7 | 000081005 | SETSCREW 4 X 8 |
| 8 | 822065005 | PRESSER DIAL |
| 9 | 686027007 | PRESSURE ADJUSTING CAM (1) |
| 10 | 686028008 | PRESSURE ADJUSTING CAM (2) |
| 11 | 503017004 | PRESSURE ADJUSTING CAM HOLDER |
| 12 | 102801008 | PRESSER BAR |
| 13 | 840129004 | SPRING |
| 14 | 502026003 | PRESSER BAR SUPPORTER |
| 15 | 000111500 | HEXAGONAL SOCKET SCREW 4 X 8 |
| 16 | 660508007 | PRESSER FOOT UNIT |
| 17 | 763048006 | SETSCREW |
| 18 | 503636005 | FRONT BASE PLATE UNIT |
| 19 | 503018005 | FRONT BASE PLATE |
| 20 | 503609009 | BH LEVER UNIT |
| 21 | 502608005 | BH LEVER UNIT |
| 22 | 503019006 | BH LEVER SUPPORTER |
| 23 | 753027008 | FRICTION SPRING |
| 24 | 000023009 | SPRING PIN |
| 25 | 000001207 | SNAP RING E-2.5 |
| 26 | 503020000 | TUG ROD LINK (FRONT) HOLDER |
| 27 | 000103808 | SETSCREW 3 X 5 |
| 28 | 503021001 | TUG ROD LINK (FRONT) |
| 29 | 000002105 | SNAP RING E-3 |
| 30 | 000113306 | SETSCREW |
| 31 | 000160102 | ADJUSTABLE NUT |
| 32 | 000101404 | SETSCREW 4 X 6 |

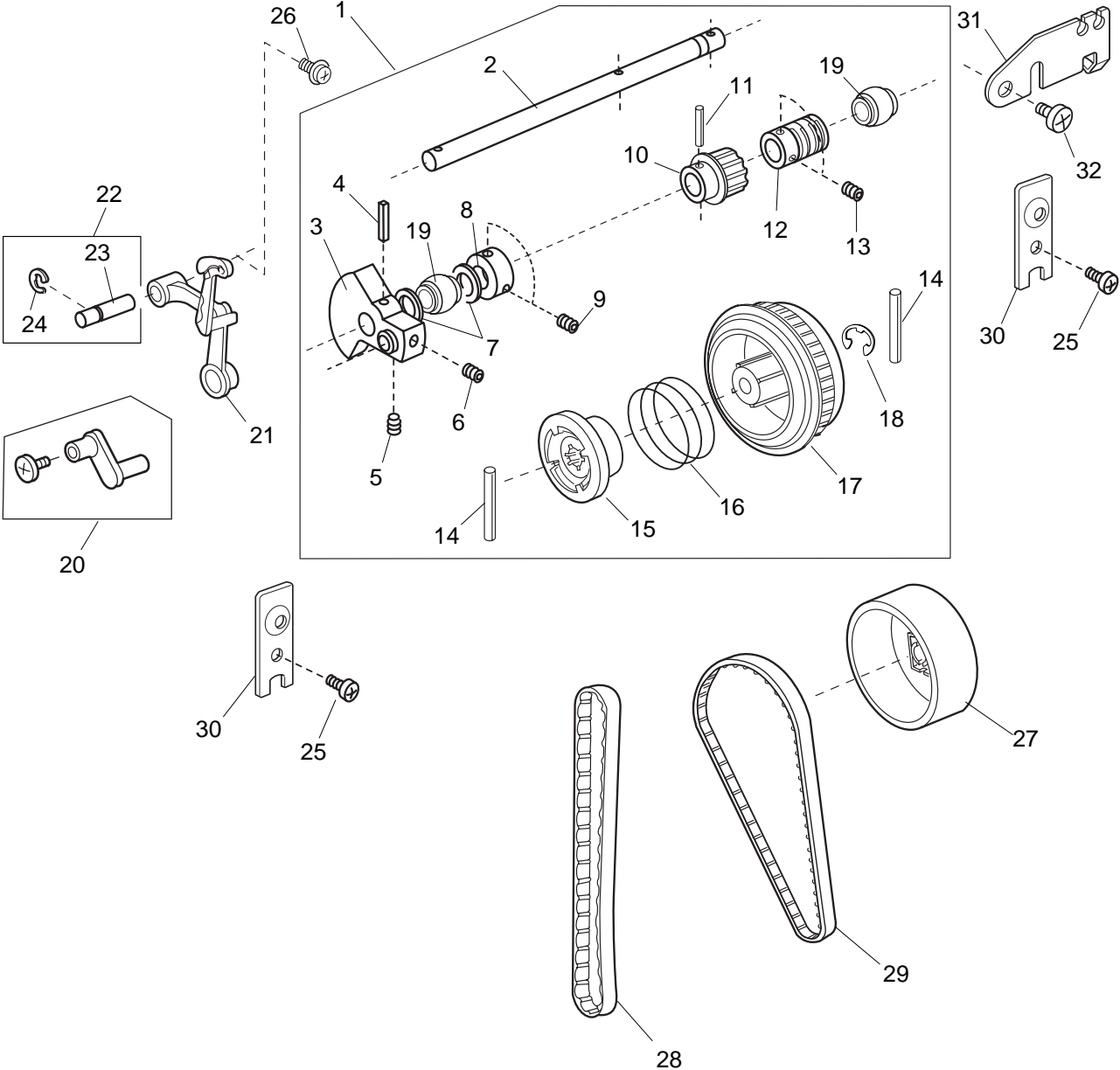
PARTS LIST



PARTS LIST

| KEY NO. | PARTS NO. | DESCRIPTION |
|------------|--------------|-------------------------------|
| 1 | 503649001 | REVERSE LEVER BRACKET UNIT |
| 2 | 503096007 | REVERSE LEVER BRACKET |
| 3 | 503138002 | GUIDE |
| 4 | 000095105 | FLAT SCREW 3X5 |
| 5 | 751083006 | REVERSE LEVER SPRING |
| 6 | 503625001 | REVERSE LEVER UNIT |
| 7 | 503094005 | REVERSE LEVER |
| 8 | 503095109 | REVERSE BUTTON |
| 9 | 503119007 | REVERSE LEVER-2 |
| 10 | 000103808 | SETSCREW 3X5 |
| 11 | 502167007 | ZIGZAG WIDTH REGULATOR SPRING |
| 12 | 503161004 | REVERSE ROD |
| 13 | 503611004 | TUG ROD LINK BRACKET UNIT |
| 14 | 503034007 | TUG ROD LINK BRACKET |
| 15 | 503035008 | TUG ROD LINK |
| 16 | 503033006 | BH TUG ROD |
| 17 | 000002105 | SNAP RING E-3 |
| 18 | 753099012 | BH TUG ROD-2 |
| 19 | 000081005 | SETSCREW 4X8 |
| 20 | 503642004 | CAM BLOCK UNIT |
| 21 | 503075000 | CAM BLOCK SUPPORTING PLATE |
| 22 | 503084002 | ZIGZAG WIDTH ADJUSTING ARM |
| 23 | 503085003 | ZIGZAG WIDTH ADJUSTING PLATE |
| 24 | 000002507 | SNAP RING E-4 |
| 25 | 000101105 | SET SCREW 3X4 |
| 26 | 503621007 | SELECTOR DIAL SHAFT UNIT |
| 27 | 503078003 | PATTERN SELECTOR DIAL |
| 28 | 503137001 | SS ADJUSTING DIAL |
| 29 | 503639008 | INDICATOR DISK UNIT |
| 30 | 503153106 | INDICATOR DISK |
| 31 | 503154004 | INDICATOR DISK SUPPORTER |
| 32 | 000014007 | SNAP RING CS-4 |
| 33 | 000103808 | SETSCREW 3X5 |
| 34 | 503152002 | LINK GEAR |
| 35 | 000060857 | HEXAGONAL NUT |
| 36 | 000112006 | HEXAGONAL SOCKET SCREW 3X8 |
| 37 | 740143001 | COVER MOUNTING |

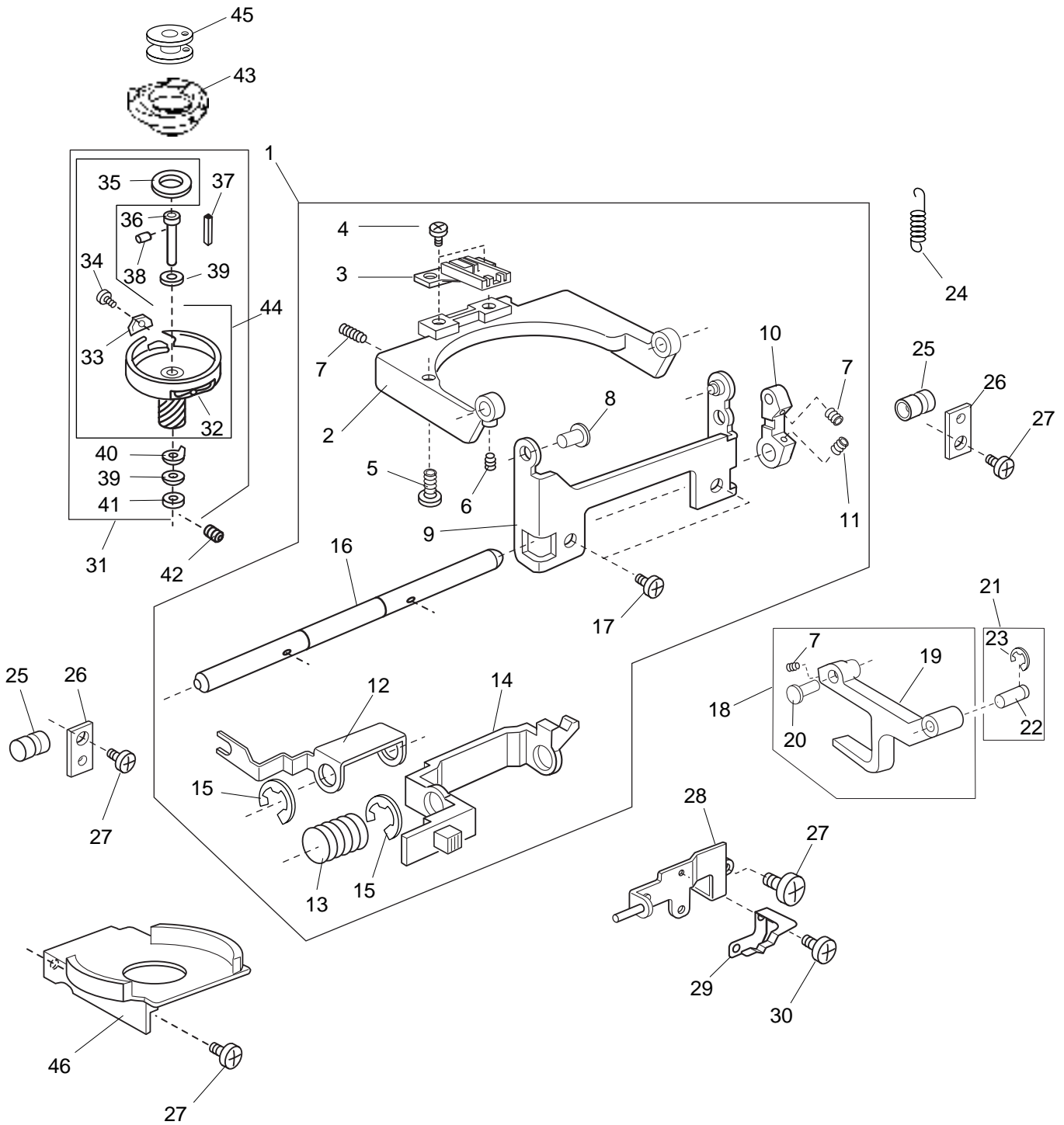
PARTS LIST



PARTS LIST

| KEY NO. | PARTS NO. | DESCRIPTION |
|---------|-----------|-------------------------------|
| 1 | 503612005 | UPPER SHAFT COMPLETE UNIT |
| 2 | 503036009 | UPPER SHAFT |
| 3 | 627184000 | THREAD TAKE-UP CRANK |
| 4 | 000020707 | SPRING PIN 4 X 20 |
| 5 | 102073003 | SETSCREW |
| 6 | 761052007 | SETSCREW |
| 7 | 000038801 | WASHER |
| 8 | 639095000 | RING |
| 9 | 000111304 | HEXAGONAL SOCKET SCREW 5 X 5 |
| 10 | 756017004 | UPPER SHAFT TIMING GEAR |
| 11 | 000020501 | SPRING PIN 3 X 22 |
| 12 | 650060001 | WORM |
| 13 | 000111201 | HEXAGONAL SOCKET SCREW 4 X 4 |
| 14 | 000024206 | SPRING PIN 3 X 30 |
| 15 | 502064003 | CLUTCH RING |
| 16 | 502065004 | CLUTCH SPRING |
| 17 | 502066005 | BELT WHEEL |
| 18 | 000030205 | SNAP RING E-8 |
| 19 | 502002003 | UPPER SHAFT SPHERICAL BUSHING |
| 20 | 652512009 | NEEDLE BAR CRANK PIN UNIT |
| 21 | 820511108 | THREAD TAKE-UP LEVER UNIT |
| 22 | 503644006 | THREAD TAKE-UP LEVER PIN UNIT |
| 23 | 503113001 | THREAD TAKE-UP LEVER PIN |
| 24 | 000002806 | SNAP RING E-6 |
| 25 | 000101301 | SETSCREW 5 X 10 |
| 26 | 000114802 | SETSCREW TP 4 X 12 |
| 27 | 503037000 | HANDWHEEL |
| 28 | 650071005 | TIMING BELT |
| 29 | 650166008 | TIMING BELT |
| 30 | 502067006 | UPPER SHAFT METAL HOLDER |
| 31 | 503127008 | UPPER SHAFT BELT HOLDER |
| 32 | 000081005 | SETSCREW 4 X 8 |

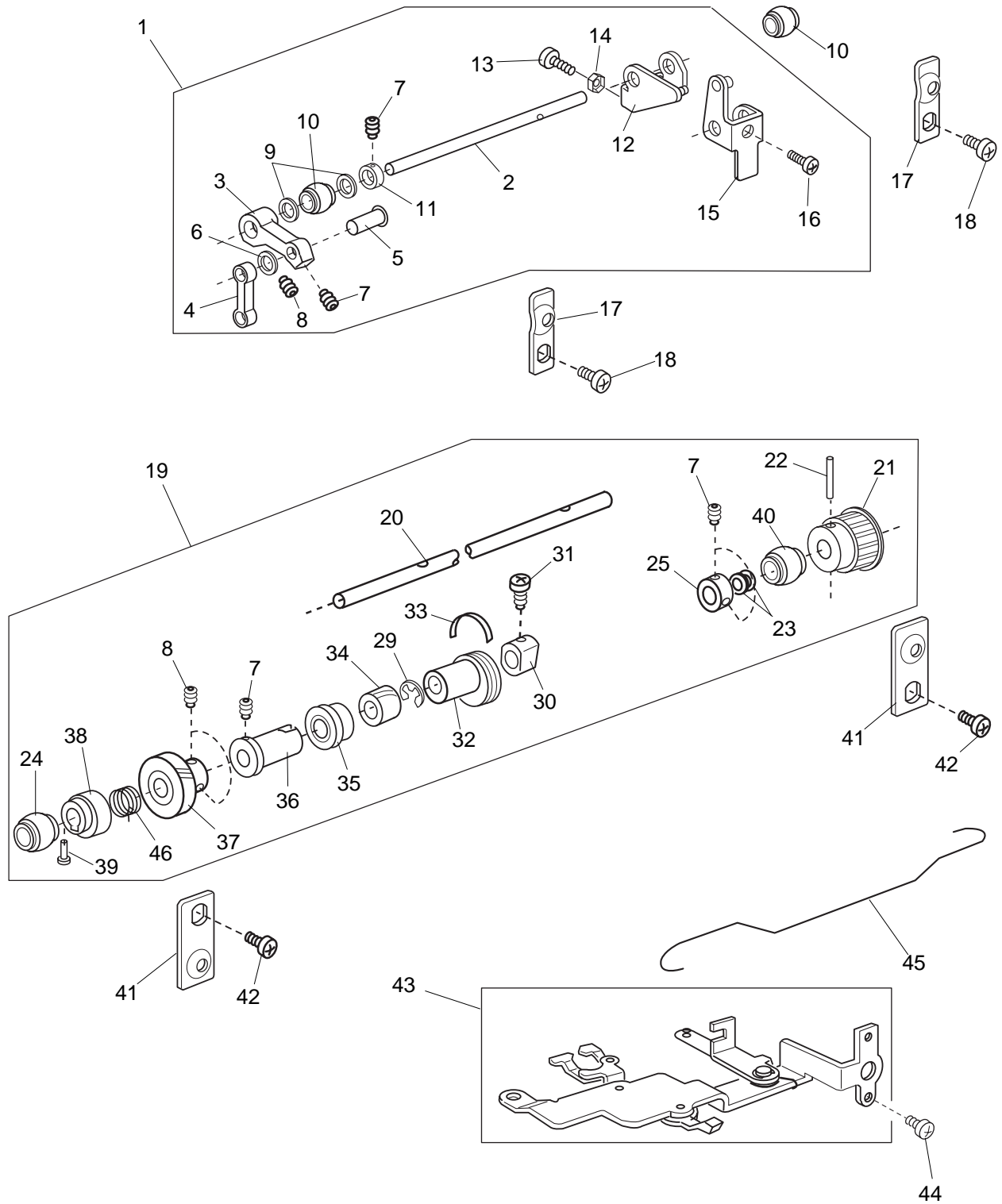
PARTS LIST



PARTS LIST

| KEY PARTS | | DESCRIPTION |
|-----------|-----------|---------------------------------|
| NO. | NO. | |
| 1 | 503686103 | HORIZONTAL FEED SHAFT UNIT |
| 2 | 503044000 | HORIZONTAL FEED PLATE |
| 3 | 840005003 | FEED DOG |
| 4 | 000101507 | SETSCREW 3.5 X 5 |
| 5 | 502077009 | FEED ADJUSTING SCREW |
| 6 | 000111902 | HEXAGONAL SOCKET SCREW 3 X 3 |
| 7 | 000111201 | HEXAGONAL SOCKET SCREW 4 X 4 |
| 8 | 503114002 | LINK PIN |
| 9 | 502079207 | HORIZONTAL FEED PLATE SUPPORTER |
| 10 | 503045001 | FEED ARM |
| 11 | 000110901 | HEXAGONAL SOCKET SCREW 5 X 4 |
| 12 | 503168001 | DROP LEVER |
| 13 | 502084009 | SLIDING PLATE SPRING |
| 14 | 502085000 | FEED DOG DOWN LEVER |
| 15 | 000002806 | SNAP RING E-6 |
| 16 | 503047003 | FEED SHAFT |
| 17 | 000103509 | SETSCREW 4 X 10 |
| 18 | 503635004 | FORKED ROD UNIT |
| 19 | 503048004 | FORKED ROD |
| 20 | 503140007 | PIN (2) |
| 21 | 503648000 | CONNECTING PIN UNIT |
| 22 | 650087004 | CONNECTING PIN |
| 23 | 000002507 | SNAP RING E-4 |
| 24 | 503142009 | SPRING |
| 25 | 502089004 | STRAIGHT CENTER |
| 26 | 735085008 | CENTER HOLDING PLATE |
| 27 | 000101404 | SETSCREW 4 X 6 |
| 28 | 503049005 | GUIDE PLATE |
| 29 | 503132006 | LEVER PLATE SPRING |
| 30 | 000101105 | SETSCREW 3 X 4 |
| 31 | 502667002 | HOOK UNIT |
| 32 | 650950100 | SHUTTLE BODY UNIT |
| 33 | 627189005 | NEEDLE GUARD |
| 34 | 820373003 | SETSCREW 2 X 3 |
| 35 | 627190010 | HOOK RACE MAGNET |
| 36 | 820123006 | HOOK DRIVER SHAFT |
| 37 | 820124007 | HOOK SHAFT OIL FELT (1) |
| 38 | 820125008 | HOOK SHAFT OIL FELT (2) |
| 39 | 000038409 | WASHER |
| 40 | 627192001 | WASHER |
| 41 | 625102008 | WASHER |
| 42 | 000111304 | HEXAGONAL SOCKET SCREW 5 X 5 |
| 43 | 627569106 | BOBBIN HOLDER UNIT |
| 44 | 652623004 | HOOK UNIT |
| 45 | 102261000 | BOBBIN |
| 46 | 502071003 | GEAR COVER |

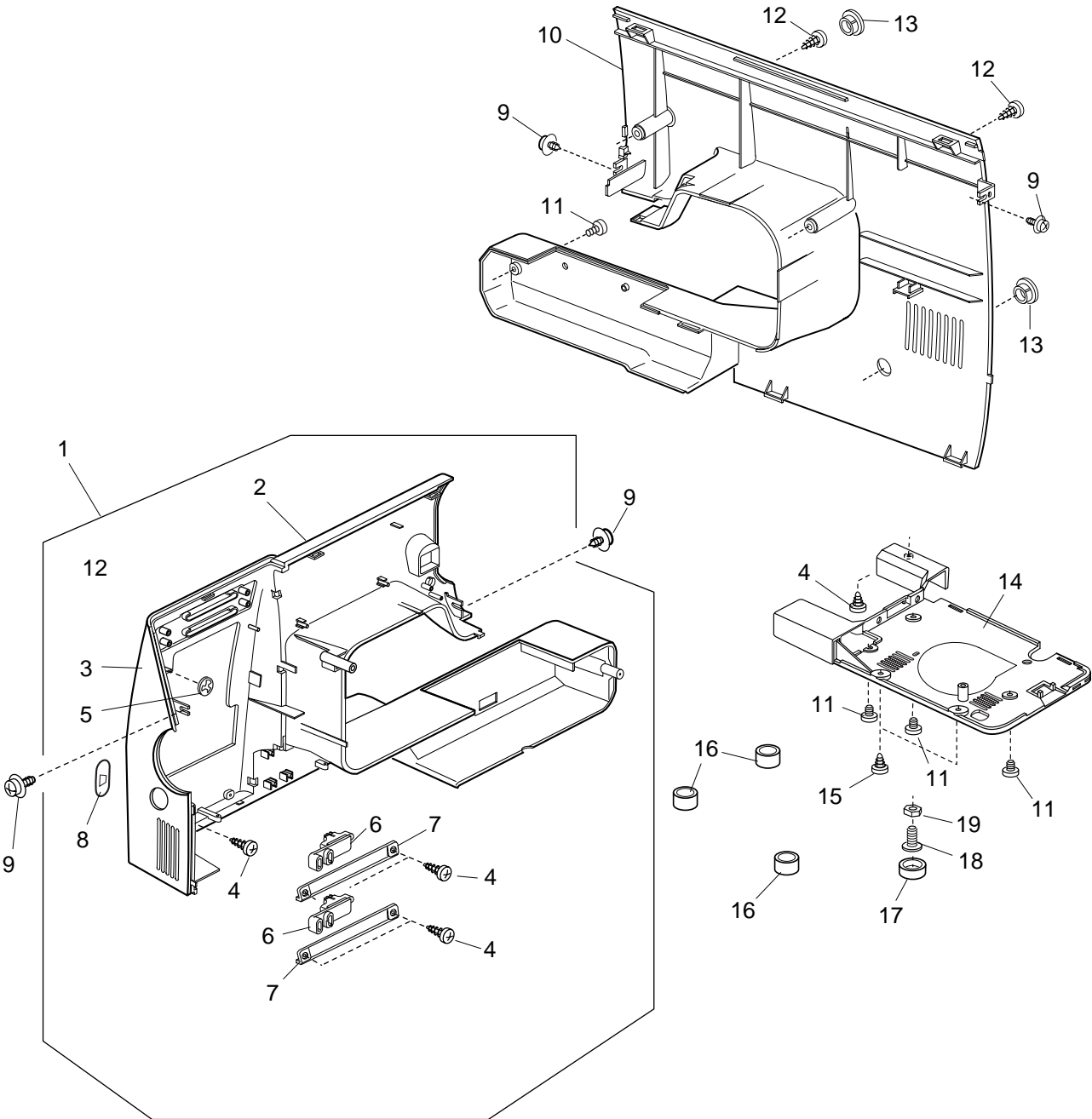
PARTS LIST



PARTS LIST

| KEY NO. | PARTS NO. | DESCRIPTION |
|------------|----------------|---------------------------------|
| 1 | 503616009 | FEED REGULATOR SHAFT UNIT |
| 2 | 503051000 | FEED REGULATOR SHAFT |
| 3 | 502093001 | FEED REGULATOR LINK |
| 4 | 650087004 | FEED REGULATOR ROD |
| 5 | 820144003 | FEED REGULATOR LINK PIN (UPPER) |
| 6 | 000036407 | WASHER |
| 7 | 000111201 | HEXAGONAL SOCKET SCREW 4X4 |
| 8 | 000111304 | HEXAGONAL SOCKET SCREW 5X5 |
| 9 | 000038409 | WASHER |
| 10 | 502003004 | SPHERICAL BUSHING (FEED) |
| 11 | 820387000 | RING |
| 12 | 503111009 | FEED REGULATOR SHAFT ARM |
| 13 | 000104706 | SETSCREW 4X6 |
| 14 | 000160102 | ADJUSTABLE LOCK NUT |
| 15 | 503112000 | FEED REGULATOR SHAFT PLATE |
| 16 | 000100403 | SETSCREW 3X14 |
| 17 | 502096004 | FEED METAL HOLDER |
| 18 | 000081005 | SETSCREW 4X8 |
| 19 | 503613017 | LOWER SHAFT UNIT |
| 20 | 503038115 | LOWER SHAFT |
| 21 | 650073007 | LOWER SHAFT TIMING GEAR |
| 22 | 000004200 | SPRING PIN 3X18 |
| 23 | 000038502 | WASHER |
| 24 | 732034003 | LOWER SHAFT BUSHING |
| 25 | 820166001 | LOWER SHAFT RING |
| 26 | NOT APPLICABLE | |
| 27 | NOT APPLICABLE | |
| 28 | NOT APPLICABLE | |
| 29 | 000002806 | SNAP RING E-6 |
| 30 | 650074008 | FEED CAM RING |
| 31 | 000121606 | TAPPING SCREW 3X12 |
| 32 | 625120105 | FEED CAM |
| 33 | 627207000 | FEED CAM SPRING |
| 34 | 756019006 | REVERSE FEED RING-1 |
| 35 | 456020000 | REVERSE FEED RING-2 |
| 36 | 756021001 | RING |
| 37 | 650095002 | LOWER SHAFT GEAR |
| 38 | 503165008 | FEED LIFTING CAM |
| 39 | 820161006 | FEED LIFTING PIN |
| 40 | 732034003 | LOWER SHAFT BUSHING |
| 41 | 502204007 | LOWER SHAFT METAL HOLDER |
| 42 | 000101301 | SETSCREW 4X6 |
| 43 | 503617000 | BH ADJUSTING PLATE UNIT |
| 44 | 810220003 | SETSCREW |
| 45 | 503052001 | FEED CONVERTER ROD |
| 46 | 503167000 | FEED LIFTING CAM SPRING |

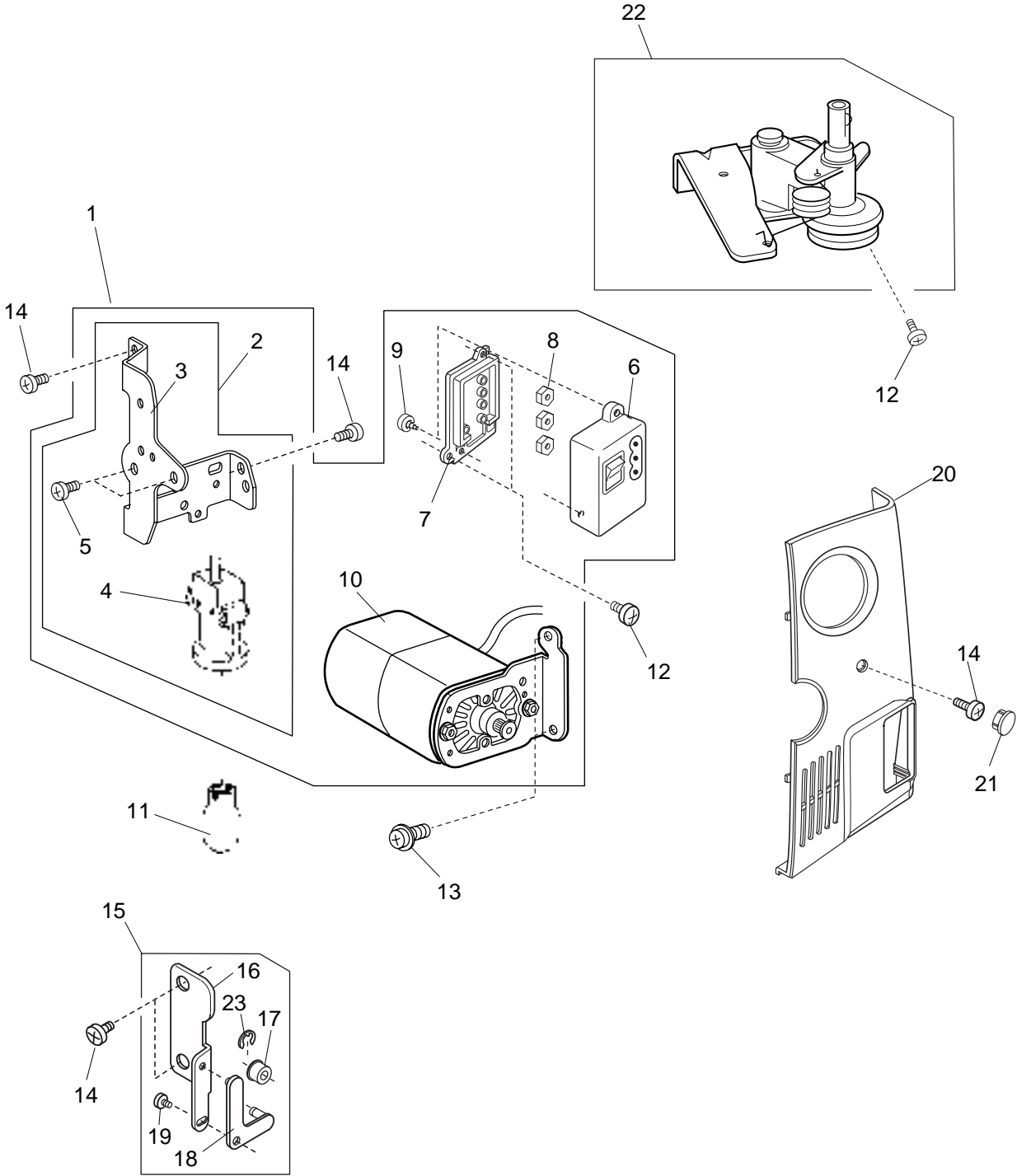
PARTS LIST



PARTS LIST

| KEY | PARTS | DESCRIPTION |
|-----|-----------|----------------------|
| NO. | NO. | |
| 1 | 503640002 | FRONT COVER UNIT |
| 2 | 503091116 | FRONT COVER |
| 3 | 503155108 | ORNAMENT PLATE |
| 4 | 000120203 | SETSCREW 3X8 |
| 5 | 000014007 | SNAP RING CS-4 |
| 6 | 503098000 | SLIDER BUTTON |
| 7 | 503099000 | BUTTON FRAME |
| 8 | 503156109 | INDICATOR WINDOW |
| 9 | 000115205 | TP SCREW 4X6 |
| 10 | 503003100 | REAR COVER |
| 11 | 000081005 | SETSCREW |
| 12 | 000160319 | SETSCREW 4X20 |
| 13 | 653006101 | CAP |
| 14 | 503002006 | BASE |
| 15 | 000161206 | TAPPING SCREW 3X10 |
| 16 | 739064003 | RUBBER FOOT |
| 17 | 639005003 | RUBBER FOOT |
| 18 | 000201405 | TP SCREW 4X16 |
| 19 | 000160102 | ADJUSTABLE LOCKNUT 4 |

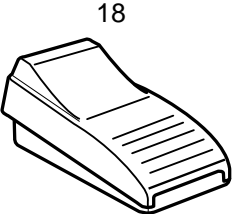
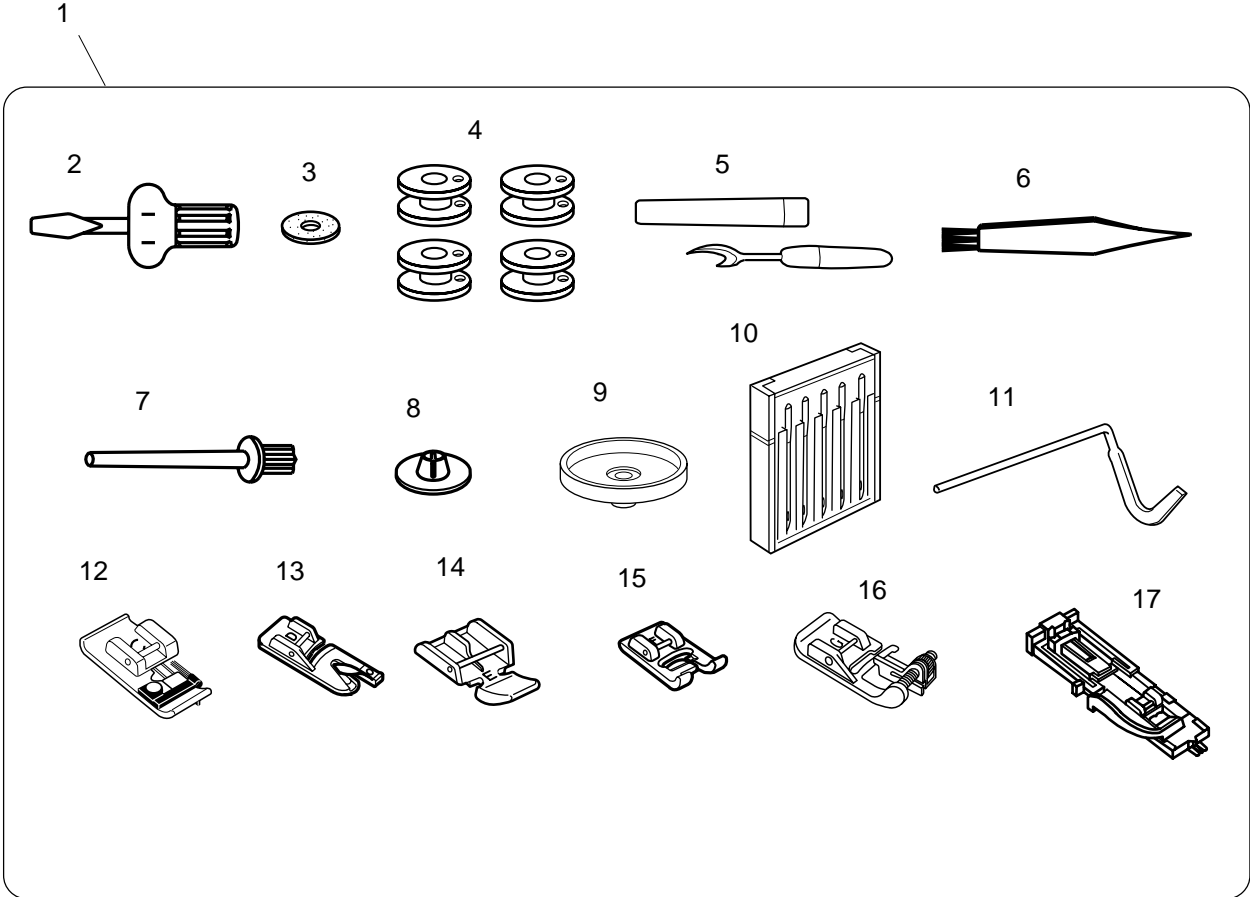
PARTS LIST



PARTS LIST

| KEY NO. | PARTS NO. | DESCRIPTION |
|------------|--------------|---|
| 1 | 503650005 | ELECTRIC COMPONENT UNIT (FOR 230-240V) |
| | 503651006 | ELECTRIC COMPONENT UNIT (FOR 120V) |
| 2 | 503637006 | LAMP SOCKET WITH BRACKET (FOR 230-240V) |
| | 503641003 | LAMP SOCKET WITH BRACKET (FOR 120V) |
| 3 | 503124005 | LAMP BRACKET |
| 4 | 655681009 | LAMP SOCKET UNIT (FOR 230-240V) |
| | 639618201 | LAMP SOCKET UNIT (FOR 120V) |
| 5 | 000081005 | SETSCREW 3X10 |
| 6 | 739503308 | MACHINE SOCKET UNIT |
| | 739505403 | MACHINE SOCKET UNIT |
| 7 | 739037007 | MACHINE SOCKET COVER |
| 8 | 000060802 | HEXAGONAL NUT |
| 9 | 000107802 | SETSCREW 3X10 |
| 10 | 503633002 | MOTOR UNIT (FOR 240V) |
| | 503633105 | MOTOR UNIT (FOR 230V) |
| | 503634003 | MOTOR UNIT (FOR 120V) |
| 11 | 000009009 | LIGHT BULB (FOR 230-240V) |
| | 000008606 | LIGHT BULB (FOR 120V) |
| 12 | 000103509 | SETSCREW 4X10 |
| 13 | 000138503 | HEXAGONAL BOLT 5X12 |
| 14 | 000081005 | SETSCREW 4X8 |
| 15 | 503614007 | IDLER UNIT |
| 16 | 502072004 | IDLER MOUNTING PLATE |
| 17 | 625217100 | IDLER |
| 18 | 502072004 | IDLER MOUNTING PLATE |
| 19 | 000103705 | SETSCREW 4X5 |
| 20 | 503105000 | BELT COVER |
| 21 | 653006101 | CAP |
| 22 | 503508007 | BOBBIN WINDER UNIT |
| 22 | 000002806 | SNAP RING E-6 |

PARTS LIST



PARTS LIST

| KEY NO. | PARTS NO. | DESCRIPTION |
|------------|--------------|------------------------------|
| 1 | 503870003 | ACCESSORY SET |
| 2 | 820832005 | SCREWDRIVER |
| 3 | 102403109 | FELT |
| 4 | 102261000 | BOBBIN |
| 5 | 647808009 | SEAM RIPPER |
| 6 | 802424004 | BRUSH |
| 7 | 625031500 | ADDITIONAL SPOOL PIN |
| 8 | 822019509 | SPOOL HOLDER (SMALL) |
| 9 | 829803004 | SPOOL STAND |
| 10 | 540401026 | NEEDLE SET |
| 11 | 802422002 | QUILTING BAR |
| 12 | 820804019 | OVEREDGE FOOT |
| 13 | 820809014 | HEMMER FOOT |
| 14 | 829801002 | ZIPPER FOOT |
| 15 | 822804118 | SATIN STITCH FOOT |
| 16 | 820817015 | BLIND STITCH FOOT |
| 17 | 753801004 | AUTOMATIC BH FOOT R |
| 18 | 042870102 | FOOT CONTROL (FOR AUSTRALIA) |
| | 042870401 | FOOT CONTROL (FOR U.K.) |
| | 042870308 | FOOT CONTROL (FOR 230V) |
| | 033870104 | FOOT CONTROL (FOR 120V) |