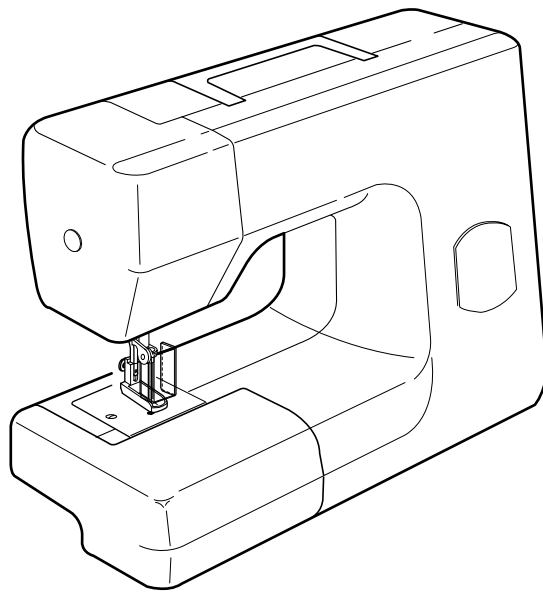
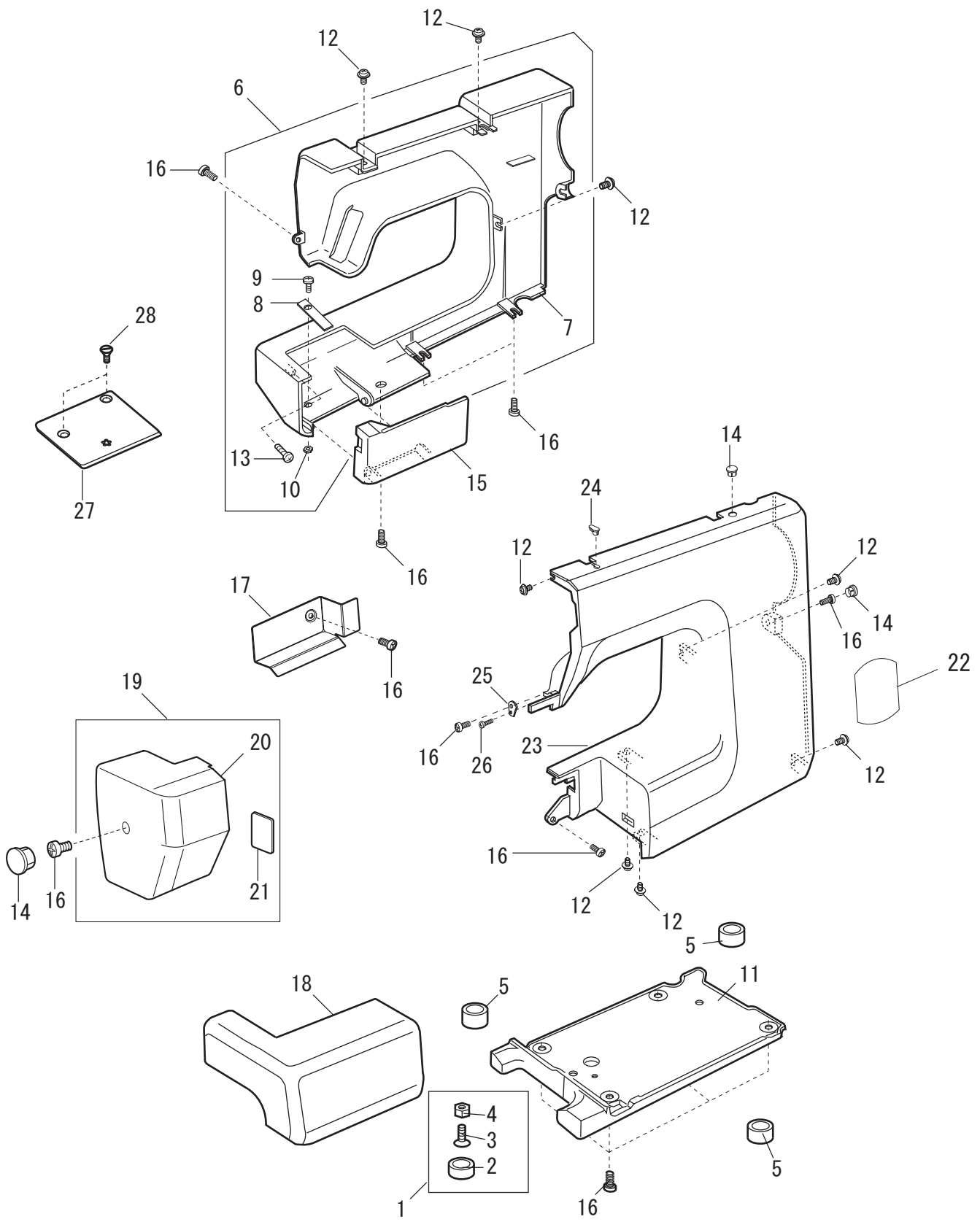


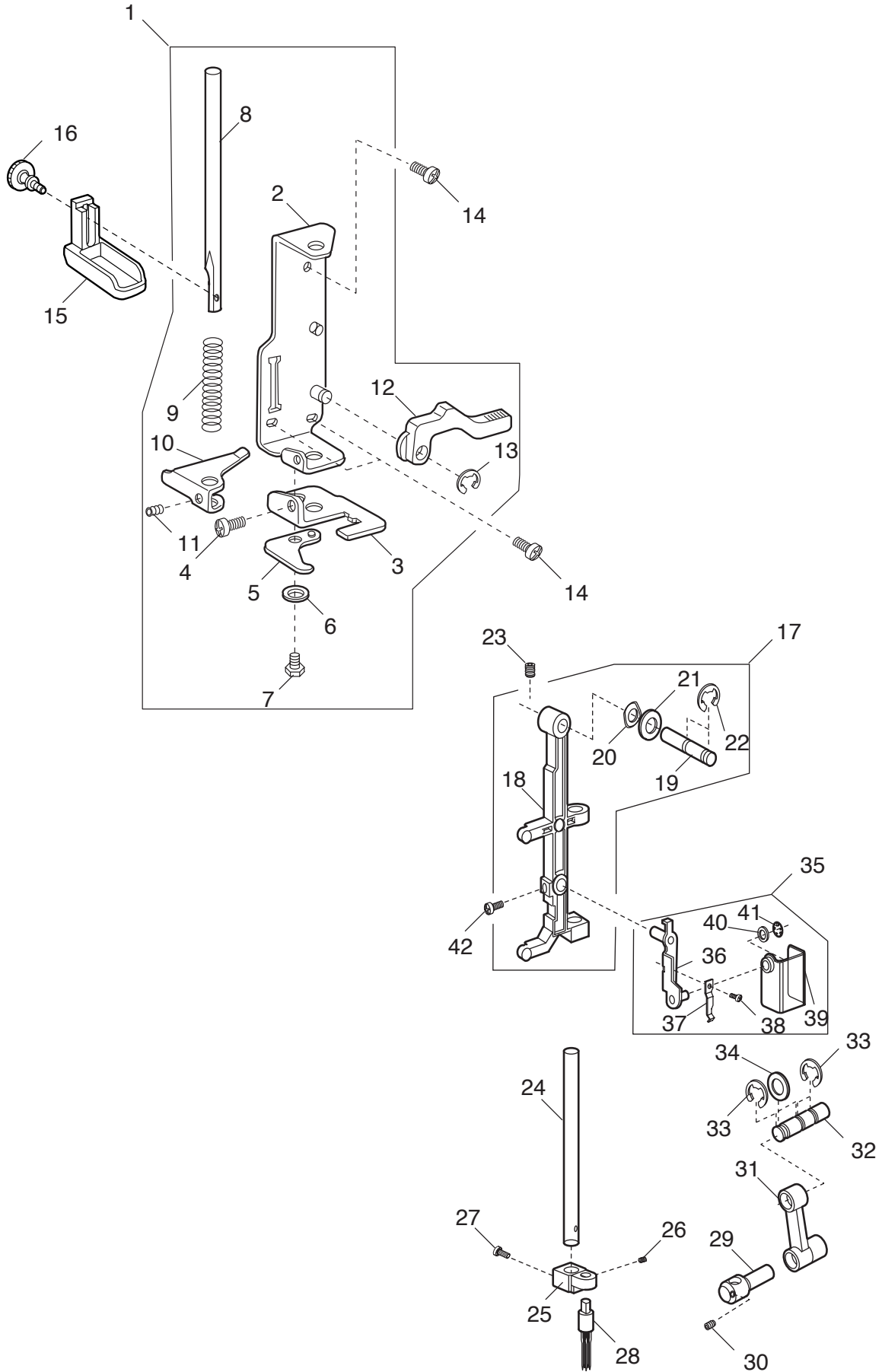
# PARTS LIST



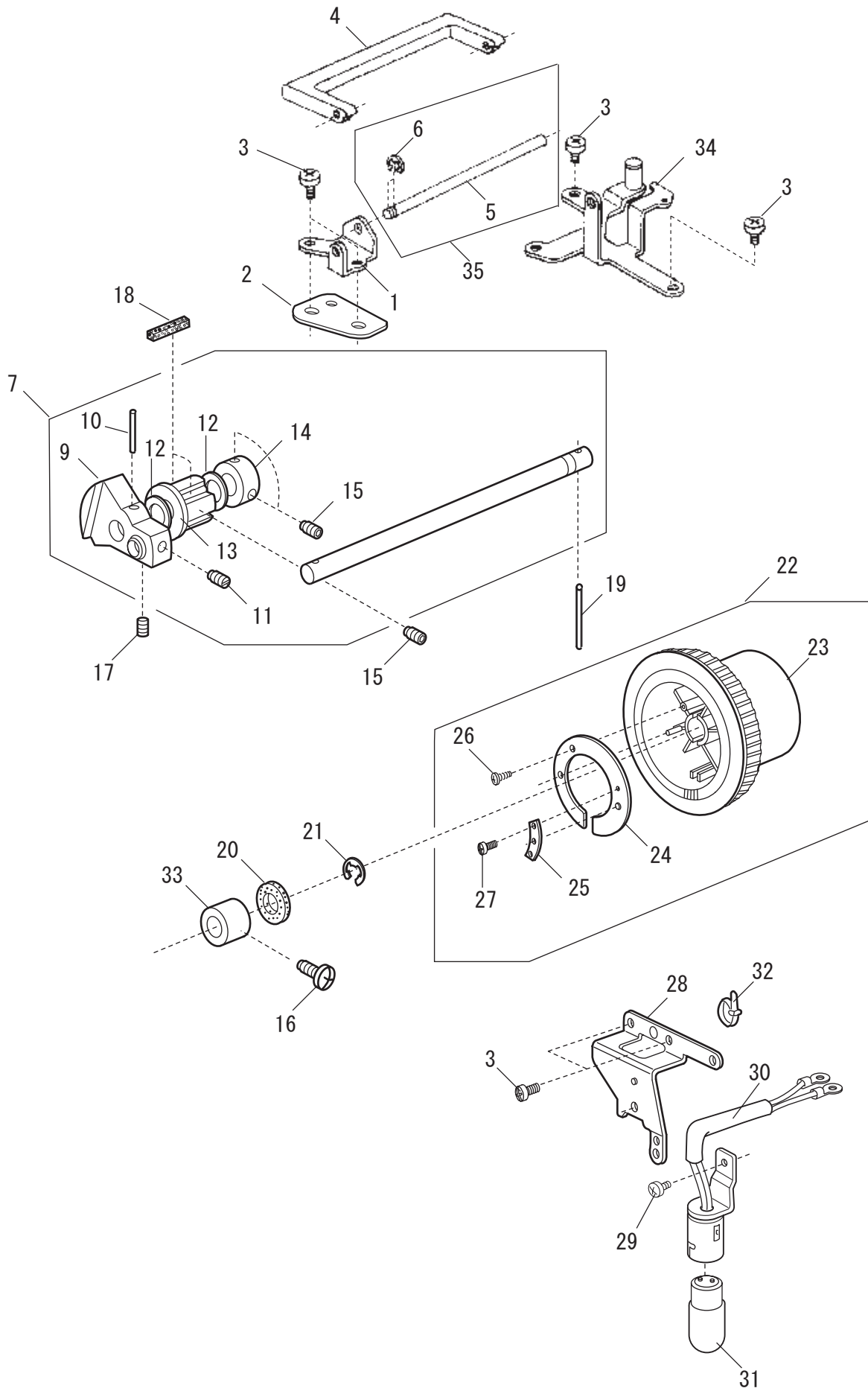
**FM725**



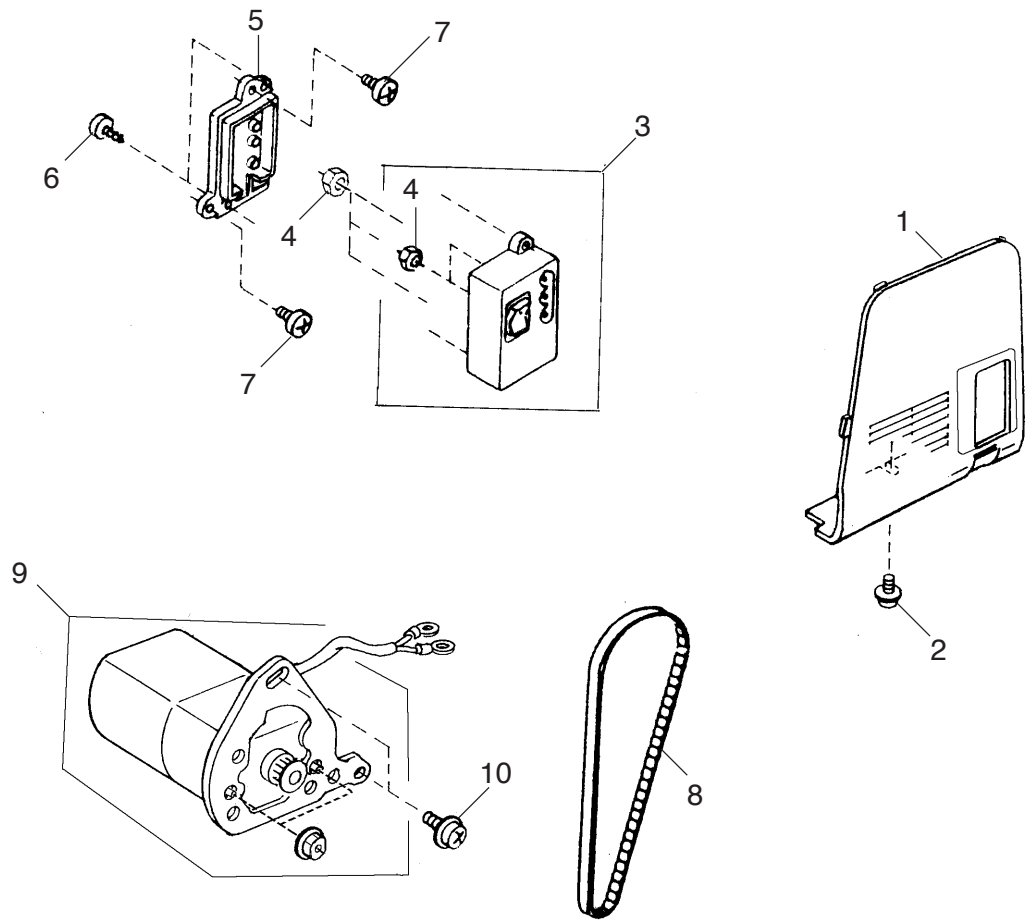
Ref.	Part No.	Description
1	735616200	Rubber foot (unit)
2	735002001	Rubber foot
3	000097901	Setscrew M 5x18
4	000061319	Nut 5-1-8
5	739064003	Bed rubber cushion
6	725601108	Rear cover (unit)
7	725020107	Rear cover
8	730006000	Cap spring
9	000101404	Setscrew 4x6
10	000061205	Nut 4-3-7
11	739004005	Bed cover plate
12	000115205	Setscrew TP 4x6
13	000121905	Setscrew 4x12(B)
14	653006101	Cap
15	725609003	Bed cover (unit)
16	000081005	Setscrew 4x8
17	725002000	Hook race cover
18	743004008	Extension table
19	725602109	Face plate (unit)
20	725001102	Face plate
21	724025006	Reflecting sticker (2)
22	725009409	Ornamental plate
23	725021304	Front cover
24	725022006	Cap
25	725010001	Set plate
26	000107307	Setscrew 3x8 (B)
27	725031008	Needle plate
28	681009101	Setscrew



Ref.	Part No.	Description
1	725603007	Presser bar base plate (unit)
2	735221008	Presser bar base plate
3	735222009	Needle drop adjusting plate
4	000101404	Setscrew 4x6
5	725004002	Supporter stopper
6	000070506	Washer
7	000138307	Hexagonal bolt4x8
8	735026104	Presser bar
9	735027002	Presser bar spring
10	735028003	Presser bar supporter
11	000111500	Hexagonal socket screw4x8
12	735029004	Presser foot lifter
13	000001609	Snap ring E5
14	000081005	Setscrew 4x8
15	725033000	Presser foot
16	647112009	Thumbscrew
17	301610207	Needle bar supporter (unit)
18	301032003	Needle bar supporter
19	730022002	Needle bar supporter pin
20	673022002	Washer
21	000070609	Washer 6
22	000002507	Snap ring E4
23	000111304	Hexagonal socket screw 5x5
24	725026000	Needle bar
25	725034001	Needle stopper
26	000216805	Hexagonal socket screw 3x3
27	000104005	Setscrew 3.5x8
28	725504007	Needle (unit)(2)
29	751047008	Needle bar holder
30	000111201	Hexagonal socket screw 4x4
31	680032007	Needle bar crank rod
32	725007005	Shaft
33	000002806	Snap ring E6
34	000036201	Thrust washerFT80
35	725611008	Eye guard (unit)
36	725023007	Eye guard supporter
37	725024008	Spring
38	000101116	Setscrew 3x4
39	725025009	Eye guard
40	000072014	Washer 5
41	000013903	Snap ring CS5
42	000078320	Setscrew 3x6

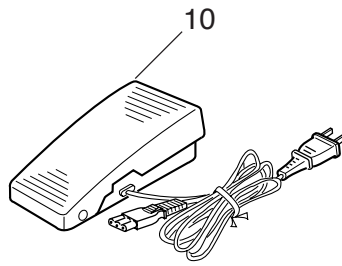
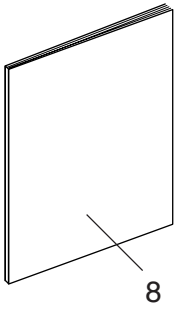
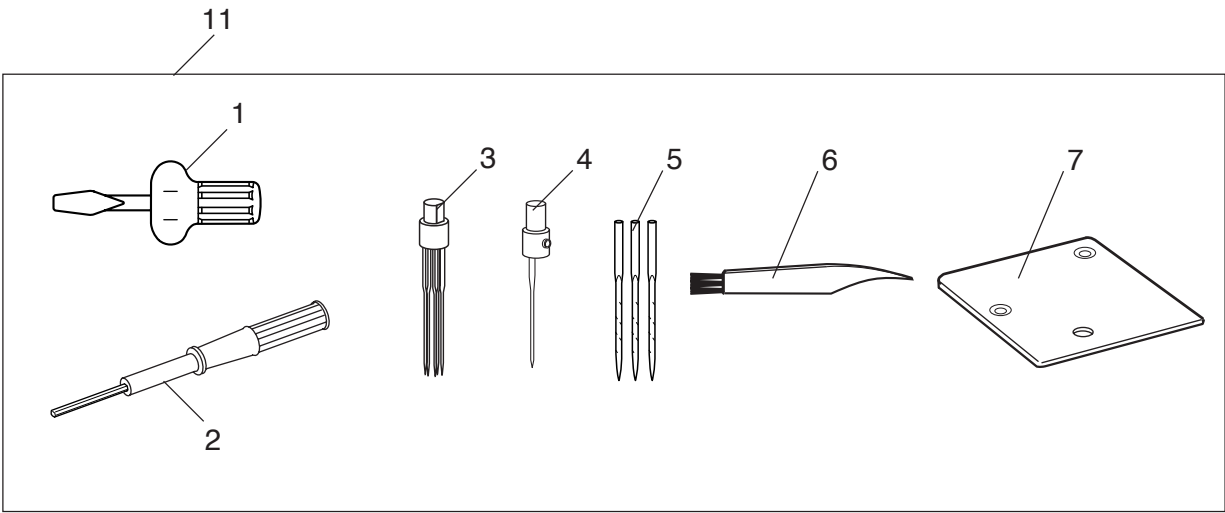


Ref.	Part No.	Description
1	740001008	Carrying handle supporter
2	725008006	Carrying handle Washer
3	000081005	Setscrew 4x8
4	735017308	Carrying handle
5	740011009	Carrying handle shaft
6	000002105	Snap ring E3
7	725604101	Upper shaft (unit)
8	-----	-----
9	725035002	Take-up lever crank
10	000021708	Knock pin 4x22
11	102073003	Setscrew
12	000036717	Thrust washer FT102-0.5
13	732025001	Upper shaft front bushing
14	639095000	Upper shaft ring
15	000111304	Hexagonal socket screw 5x5
16	000172602	Setscrew 5x8
17	761052007	Setscrew
18	731312005	Felt
19	000023803	Knock pin 4x40
20	743029009	Felt
21	000030205	Snap ring E8
22	725610007	Hand wheel (unit)
23	639034001	Hand wheel
24	725029003	Balancer set plate
25	725030007	Balancer
26	000120203	Setscrew 3x8(B)
27	000101116	Setscrew 3x4
28	740007013	Face plate set plate
29	000103735	Setscrew 4X5
30	647510207	Lamp socket unit (120V)
	743634003	Lamp socket unit (220-240V)
31	000009803	Lamp 120V 15W
	000009009	Lamp 240V BA15D
32	000053008	Cord binder
33	732003003	Upper shaft rear bushing
34	725040000	Bobbin winder set plate
35	740624001	Carrying handle shaft (unit)





Ref.	Part No.	Description
1	743017004	Belt cover
2	000115205	Setscrew TP 4x6
3	739505403	Machine socket unit (120V)
	739503102	Machine socket unit (220-240V)
4	000060802	Nut 3-1-5.5
5	739037007	Machine socket cover
6	000107802	Setscrew 3x10(B)
7	000103509	Setscrew 4x10
8	650166008	Timing belt
9	725606206	Motor (U.S.A. & Canada)
	725608208	Motor (Australia)
	725608105	Motor (Continental Europe)
	725608208	Motor (U.K.)
10	000201209	Setscrew TP 5x12



Ref.	Part No.	Description
1	820832005	Screwdriver
2	725804000	Hexagonal wrench
3	725607104	Needle case unit
4	725810009	Needle case unit
5	725811000	Needle case unit
6	802424004	Lint brush
7	725003104	Needle plate
8	725803098	Instruction book (EnSpFr) with DVD for USA
	725803032	Instruction book (DuGeFr) with DVD
	725803043	Instruction book (It) with DVD
	725803065	Instruction book (Se) with DVD
	725803607	Instruction book (En) with DVD
	725803113	Instruction book (EnSpFr) with DVD for Mexico
	725803076	Instruction book (EnSpFr) with DVD for Canada
	725803087	Instruction book (Jp) with DVD for Japan
	725803124	Instruction book (Ru) with DVD
9	725830108	Instructional DVD
	725830005	Instructional DVD for USA
10	033870115	Foot control (U.S.A. & Canada)
	042870102	Foot control (Australia)
	042870308	Foot control (Continental Europe)
	042870401	Foot control (U.K.)
11	725870100	Accessories