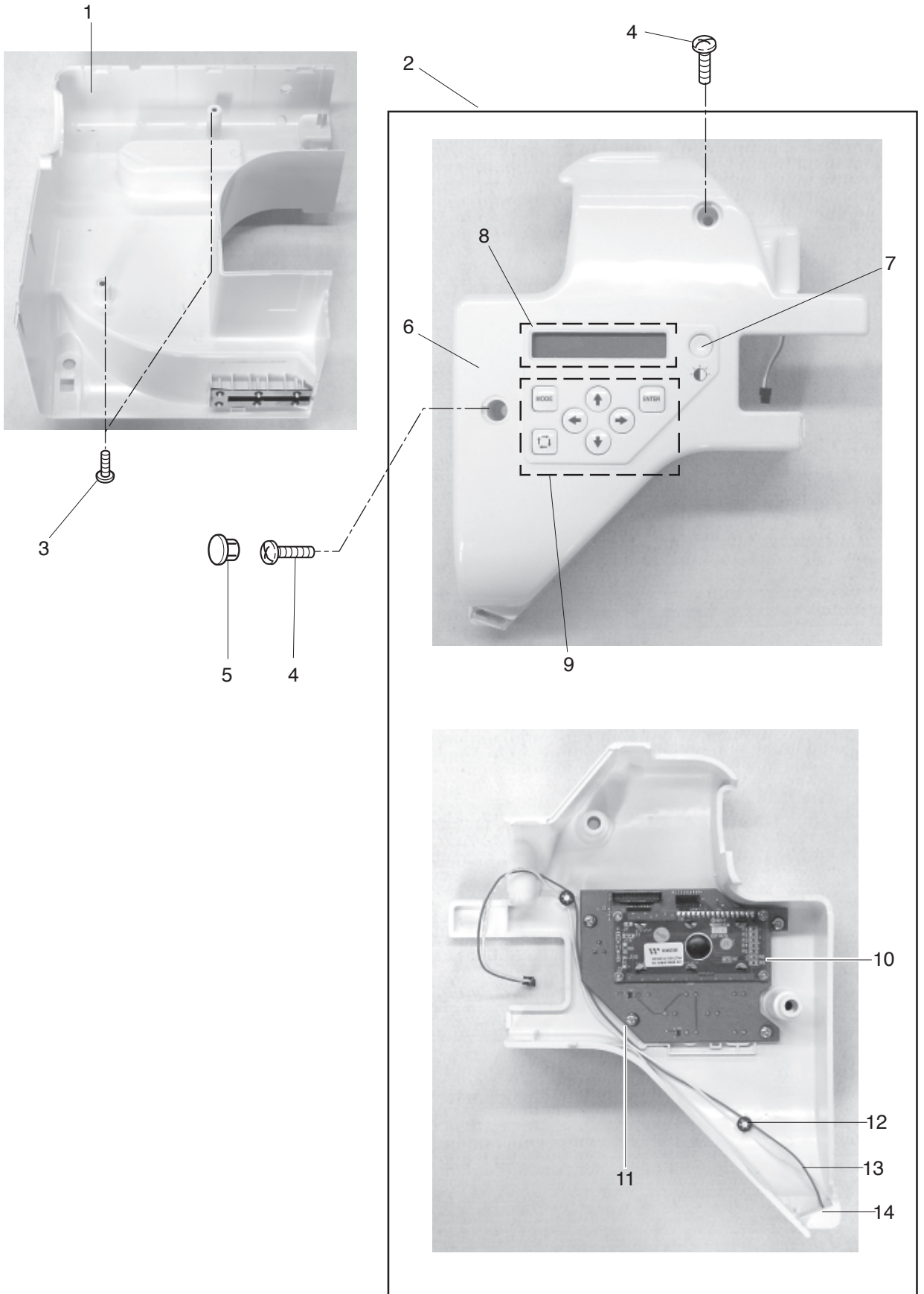


PARTS LIST

PARTS LIST

MB-4



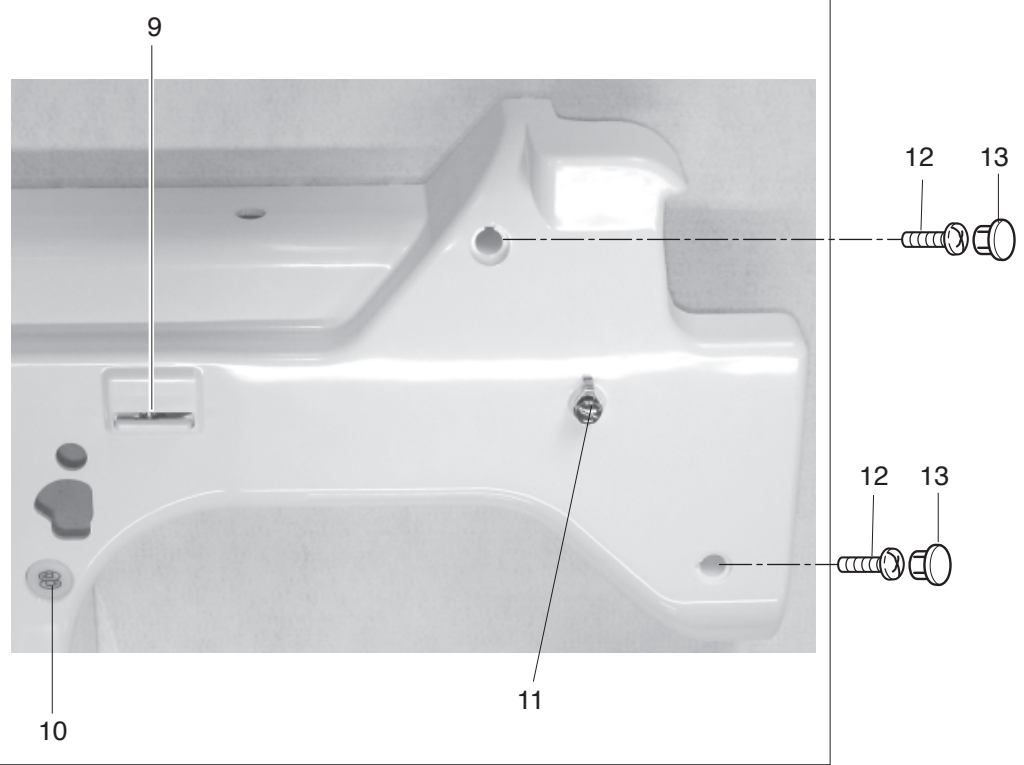
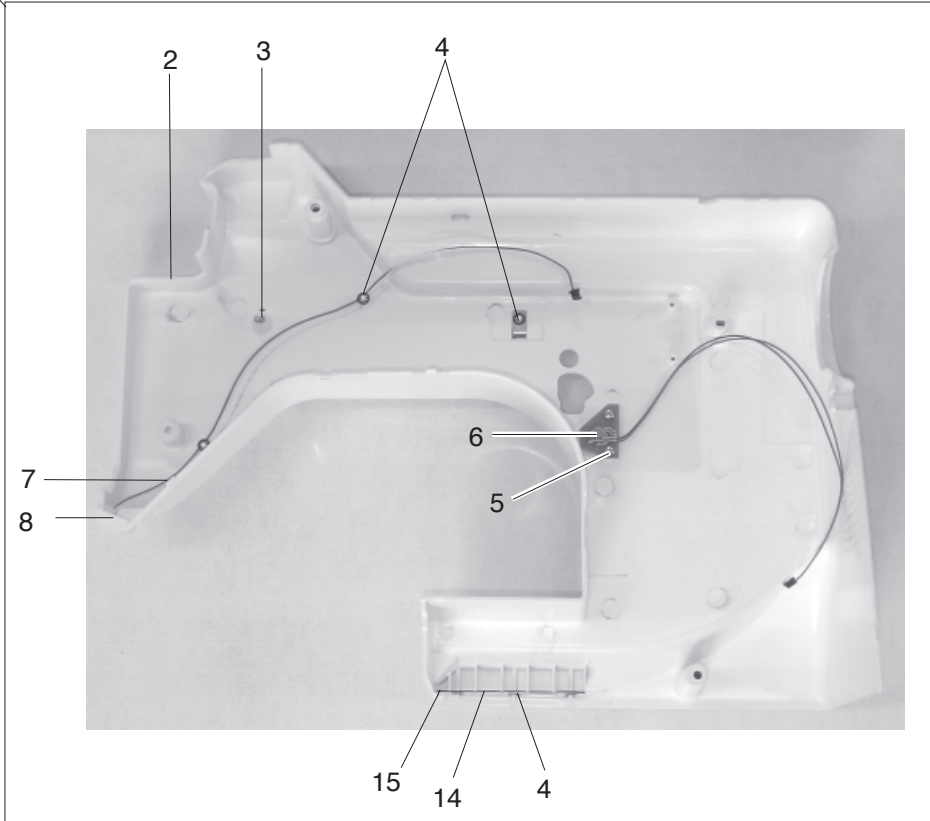
PARTS LIST

MB-4

KEY NO.	PARTS NO.	DESCRIPTION
1	770611008	Right cover (unit)
2	770608002	Head set right cover (unit)
3	000081016	Setscrew 4 x 8
4	000104108	Setscrew 4 x 20
5	653006101	Lid
6	770007108	Head set right cover
7	770397005	Brightness adjusting dial
8	770418003	LCD window
9	770328108	Button panel
10	770526005	Printed circuit board K (unit)
11	000216001	Setscrew 3 x 8
12	000014306	Snap ring CS 3
13	860506207	Printed circuit board L2 (unit)
14	770335005	LED lamp cover

PARTS LIST

1



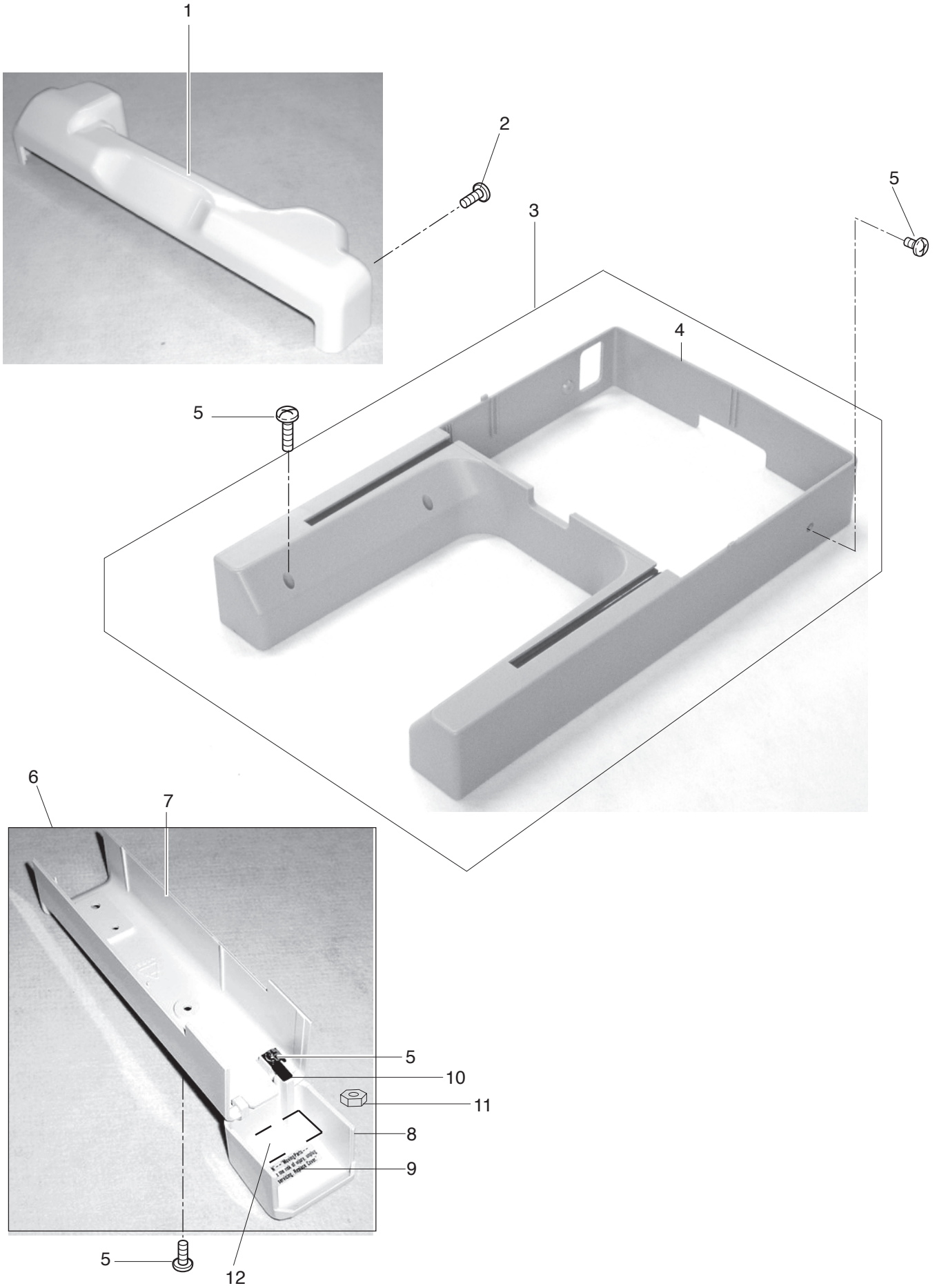
PARTS LIST

MB-4

KEY NO.	PARTS NO.	DESCRIPTION
1	770606000	Left cover (unit)
2	770005003	Left cover
3	000160102	Adjustable lock nut 4
4	000014306	Snap ring CS 3
5	000261001	Setscrew 3 x 8
6	770536008	Printed circuit board T (unit)
7	860506207	Printed circuit board L2 (unit)
8	770335005	LED lamp cover
9	832508006	Thread cutter (unit)
10	770343202	Start/Stop button
11	767639002	Thread guide (unit)
12	000101703	Setscrew 4 x 12
13	653006101	Lid
14	770332002	Carriage windpw sheet
15	770331001	Sheet set plate

PARTS LIST

MB-4

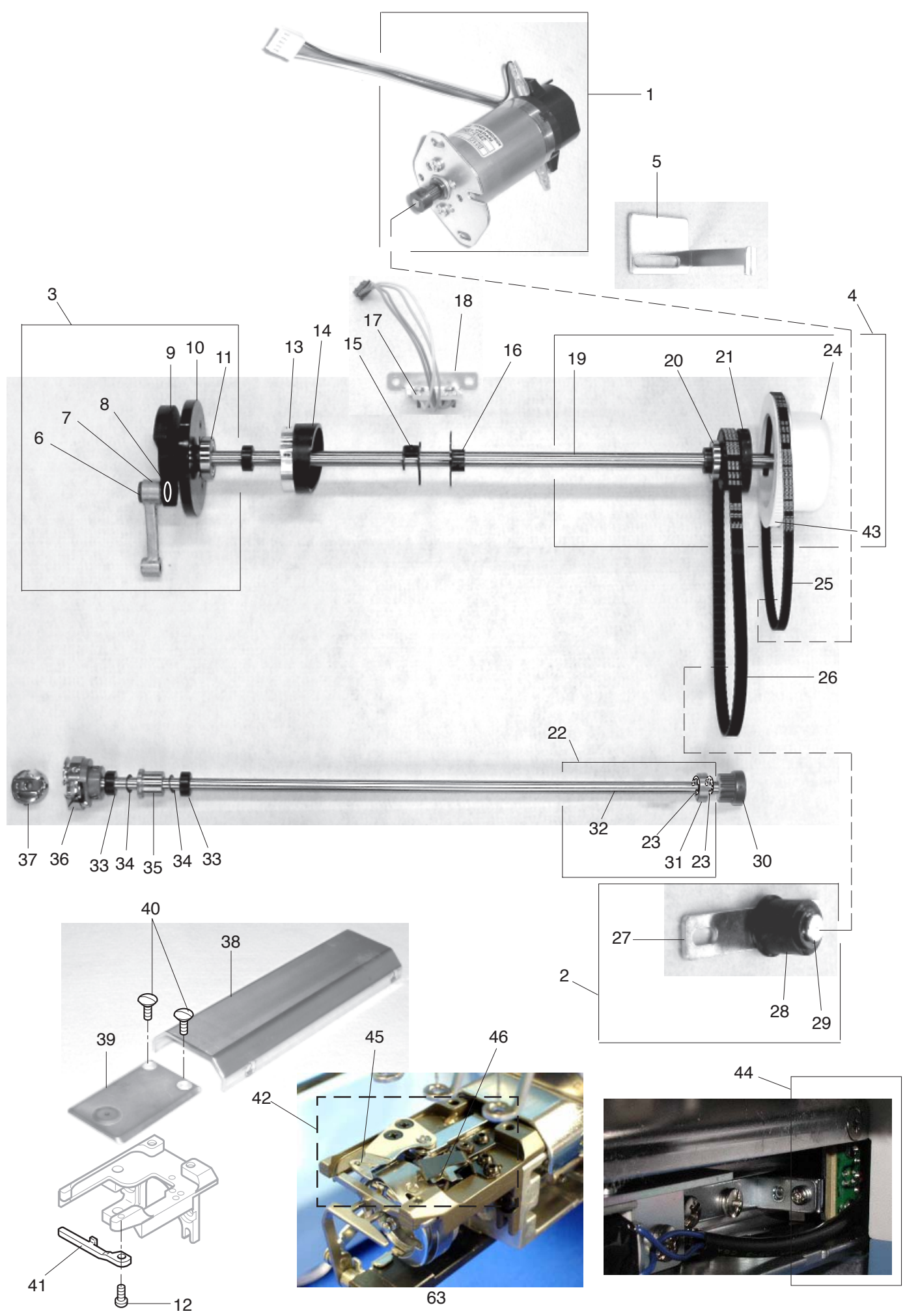


PARTS LIST

MB-4

KEY NO.	PARTS NO.	DESCRIPTION
1	770008006	X carriage cover
2	000101116	Setscrew 3 x 4
3	770612009	Base cover (unit)
4	770012003	Base cover
5	000081016	Setscrew 4 x 8
6	770605009	Bed cover (unit) (U.S.A.)
	770605205	Bed cover (unit) (Australia) (Latin America) (UK) (Argentina)
	770605308	Bed cover (unit) (Continental Europe)
	770605102	Bed cover (unit) (Canada)
7	770014005	Bed cover
8	770015006	Hook race cover
9	830312016	Caution sticker (UK) (U.S.A) (Australia)
	831025001	Caution sticker (Continental Europe)
	100083000	Caution sticker (Canada)
10	770016007	Bed cover spring
11	000061113	Hexagonal nut 4
12	770425003	Oilhole seal

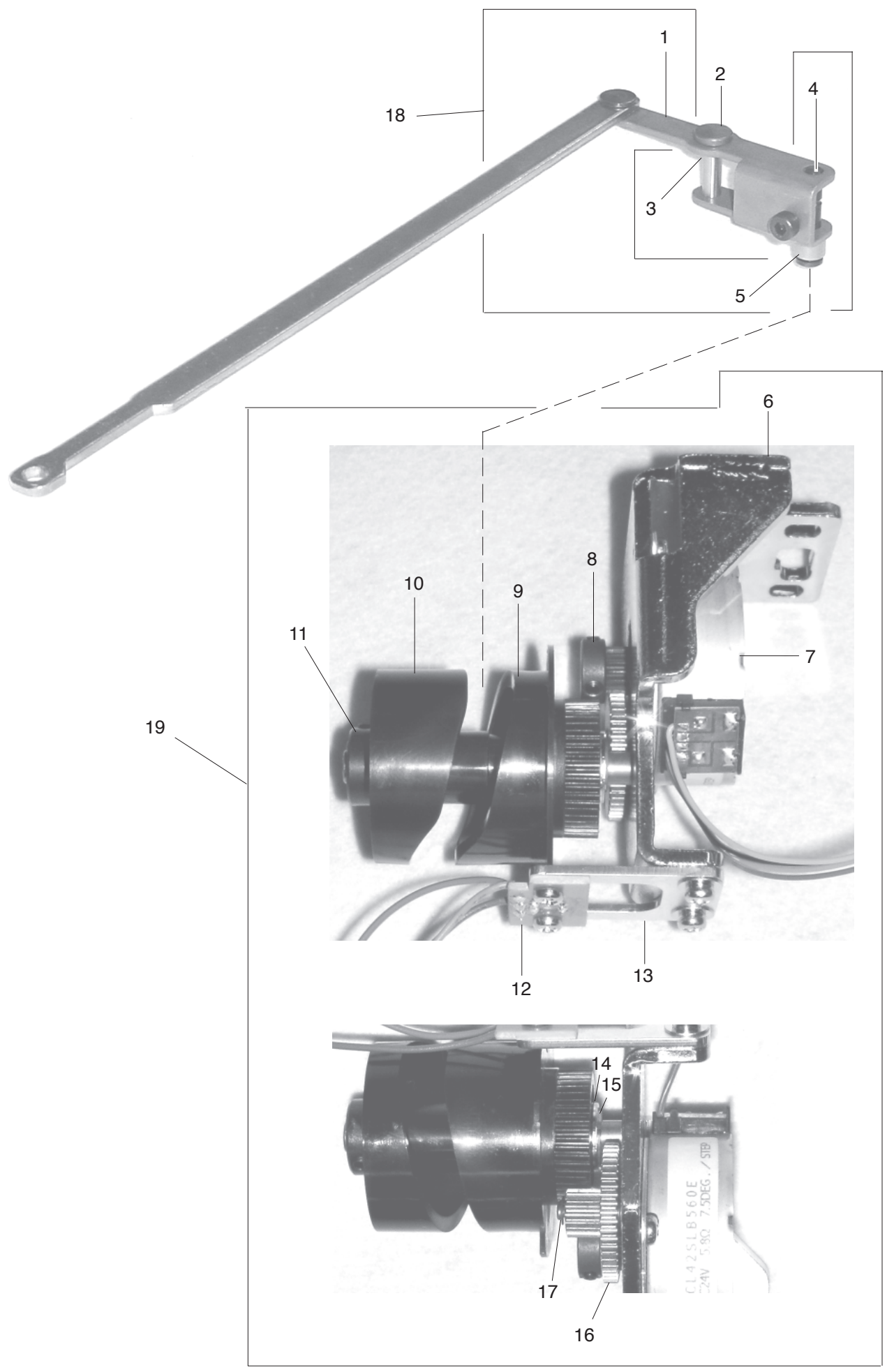
PARTS LIST



PARTS LIST

KEY NO.	PARTS NO.	DESCRIPTION
1	770610007	DC motor (unit)
2	770625005	Idler (unit)
3	770628008	Crank (unit)
4	477067007	Upper shaft (unit)
5	770025009	Pointer
6	770068004	Upper rod shaft
7	770502005	Crank rod (unit)
8	000131403	Rulon washer
9	770067003	Crank
10	770376008	Presser foot cam
11	770029003	Bearing
12	770498009	Button head cap bolt
13	770094009	Cam clamp
14	770093008	Thread take-up lever cam
15	653052009	Shielding plate (A)
16	770149000	Point Slit C
17	843505708	Printed circuit board P (unit)
18	770148009	Sensor set plate
19	770019000	Upper shaft
20	770027001	Bearing
21	770021005	Upper shaft pulley
22	770632005	Hook race shaft (unit)
23	000032403	Crescent ring
24	770423001	Handwheel
25	846188102	Timing belt
26	770028002	Timing belt
27	770023007	Tension
28	625217100	Idler
29	000002817	Ring E
30	770022006	Hook race pulley
31	767182005	Spherical bushing
32	770030007	Hook race shaft
33	820672005	Lower shaft ring (unit)
34	000036902	Thrust washer
35	770368007	Hook race shaft front bushing
36	770036003	Hook race (A-1)
37	770578002	Bobbin case (unit)
38	770035002	Bed face plate
39	770034012	Needle plate (flat seam)
40	770037002	Needle plate set screw
41	770033000	Shuttle hook holder
42	770501004	Thread cutter (unit)
43	770422000	Belt wheel
44	770633006	Hat sensor (unit)
45	770040000	Dynamic cutter blade (B) (unit)
46	770042002	Static cutter blade

PARTS LIST



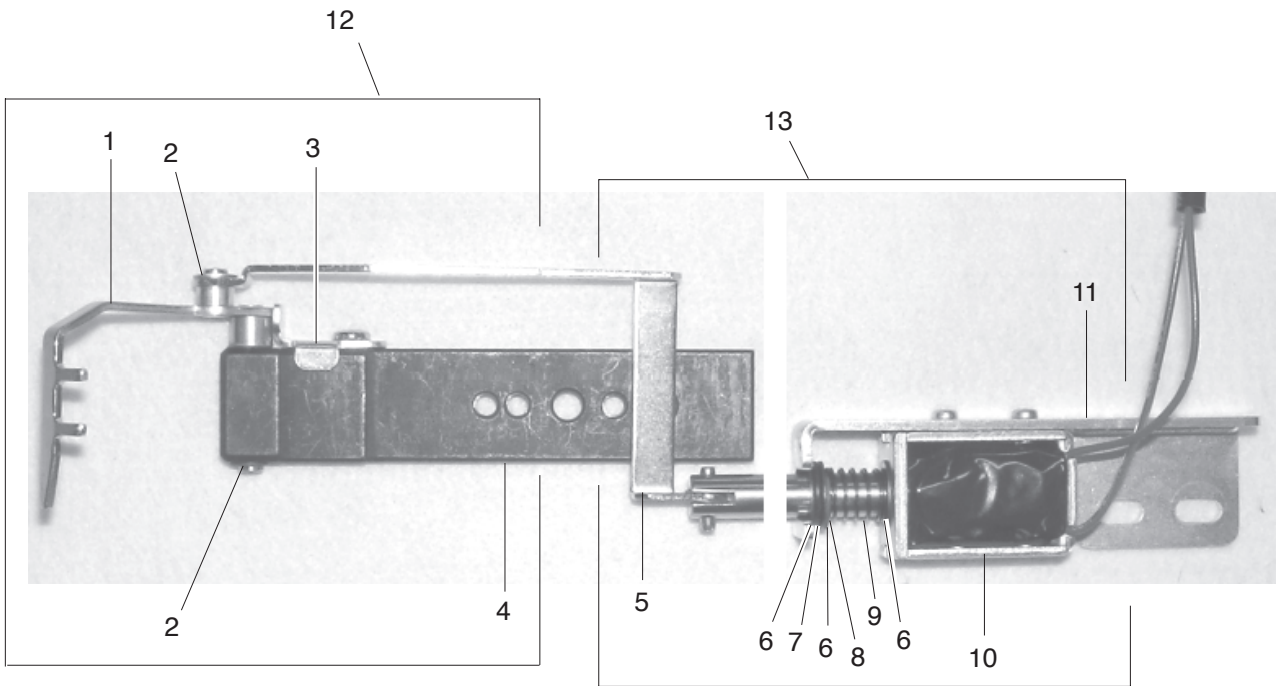
PARTS LIST

MB-4

KEY NO.	PARTS NO.	DESCRIPTION
1	770056009	Lever unit
2	770055008	Support pin
3	000036603	Thrust washer
4	770053006	Roller shaft
5	770054007	Roller
6	770048008	Thread cutter driving base
7	770539207	Pulse motor
8	770137005	Driving gear
9	770374006	Thread cutter cam (right)
10	770375007	Thread cutter cam (left)
11	770049009	Cam holder collar
12	843503119	Printed circuit board E2 (unit)
13	770051004	Sensor set plate
14	770058001	Cam base
15	000001609	Snap ring E 5
16	770057000	Y gear
17	000002301	Snap ring E 2
18	770635008	Lever (unit)
19	770634007	Thread cutter driving (unit)

PARTS LIST

MB-4

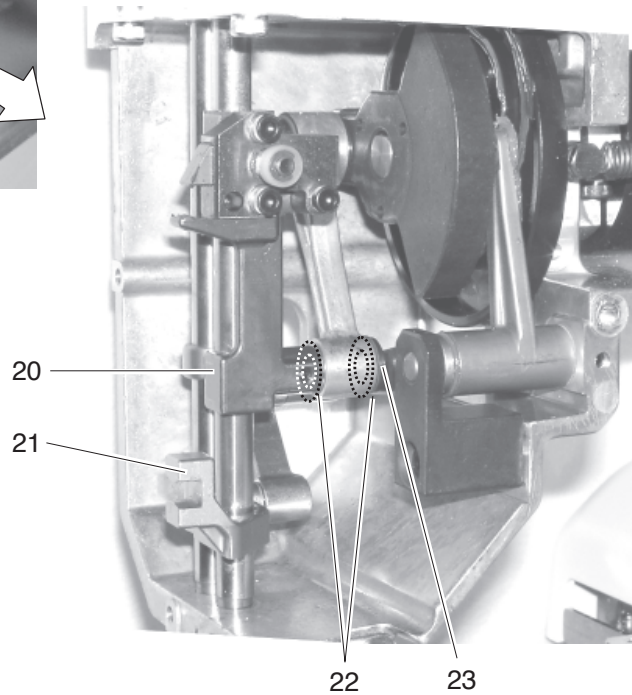
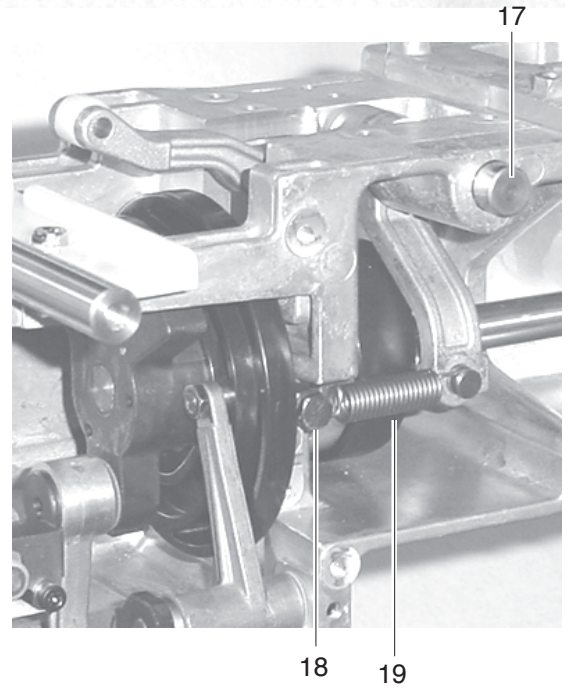
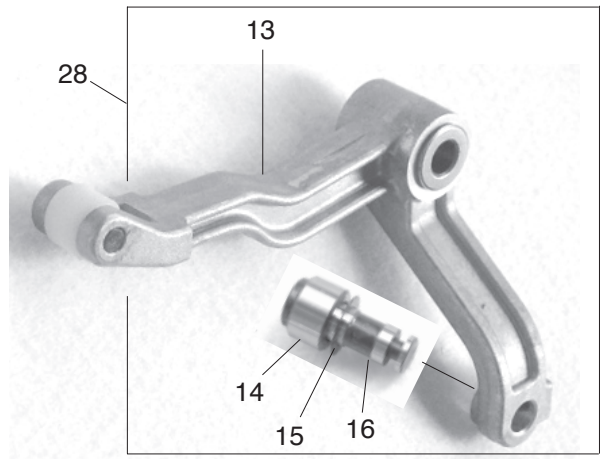
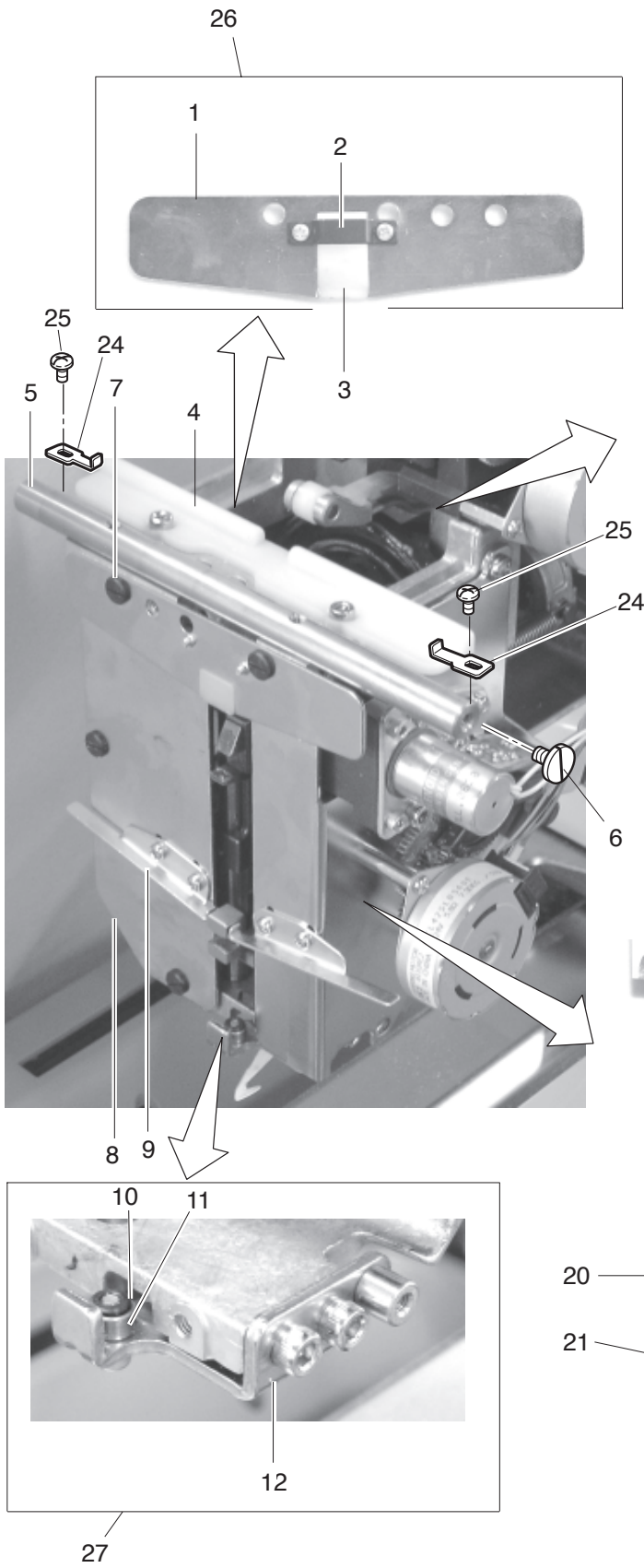


PARTS LIST

MB-4

KEY NO.	PARTS NO.	DESCRIPTION
1	770061007	Keeper
2	000002116	Snap ring E 3
3	770063009	Stopper
4	770062008	Keeper base
5	770060006	Keeper rod
6	000036108	Thrust washer
7	770045007	Ring O
8	000001609	Snap ring E 5
9	770065001	Solenoid spring
10	770066002	Keeper solenoid (unit)
11	770059002	Solenoid base
12	770636009	Keeper (unit)
13	770637000	Keeper solenoid (unit)

PARTS LIST

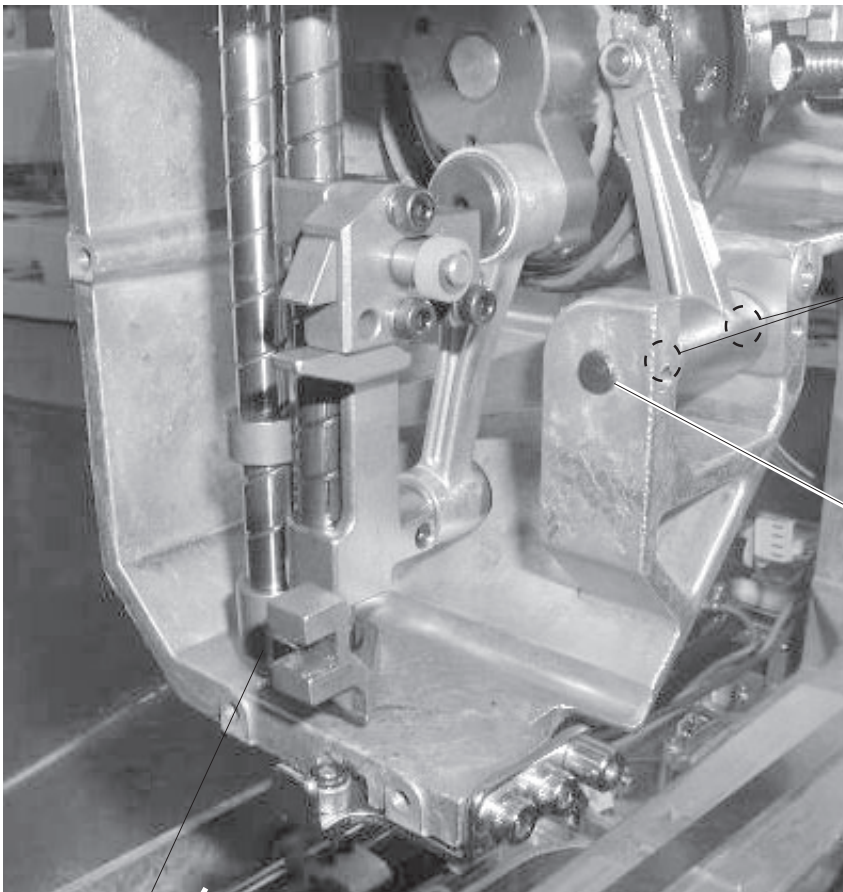
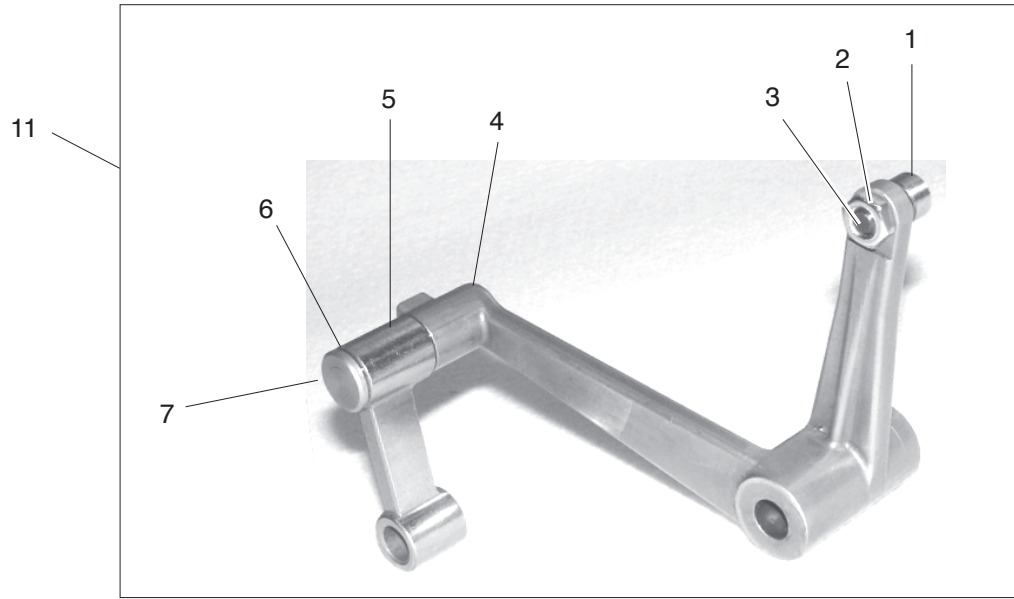


PARTS LIST

MB-4

KEY NO.	PARTS NO.	DESCRIPTION
1	770113005	Upper face plate
2	770117009	Supporting metal
3	770116008	Cushion B
4	770081003	Thread take-up lever guide
5	770082004	Rail shaft
6	770115007	Stopper screw
7	770177007	Face plate set screw
8	770107006	Left face plate
9	770132000	Left guide plate
10	770096001	Adjusting shaft
11	770097002	Adjusting roller
12	770095000	Needle drop adjusting plate (unit)
13	770504007	Thread take-up lever (unit)
14	770090005	Cam roller
15	000036005	Thrust washer
16	770089001	Cam roller shaft
17	770086008	Thread take-up lever supporting shaft
18	770092007	Thread take-up lever spring holding shaft
19	770091006	Thread take-up lever spring
20	770638001	Needle bar rest (unit)
21	770639002	Presser foot block (unit)
22	000131506	Rulon washer
23	770073002	Lower rod shaft
24	770443007	Stopper
25	000078319	Setscrew 3 x 6
26	770624008	Upper face plate (unit)
27	770641007	Needle drop adjusting (unit)
28	770629009	Thread take-up lever (unit)

PARTS LIST



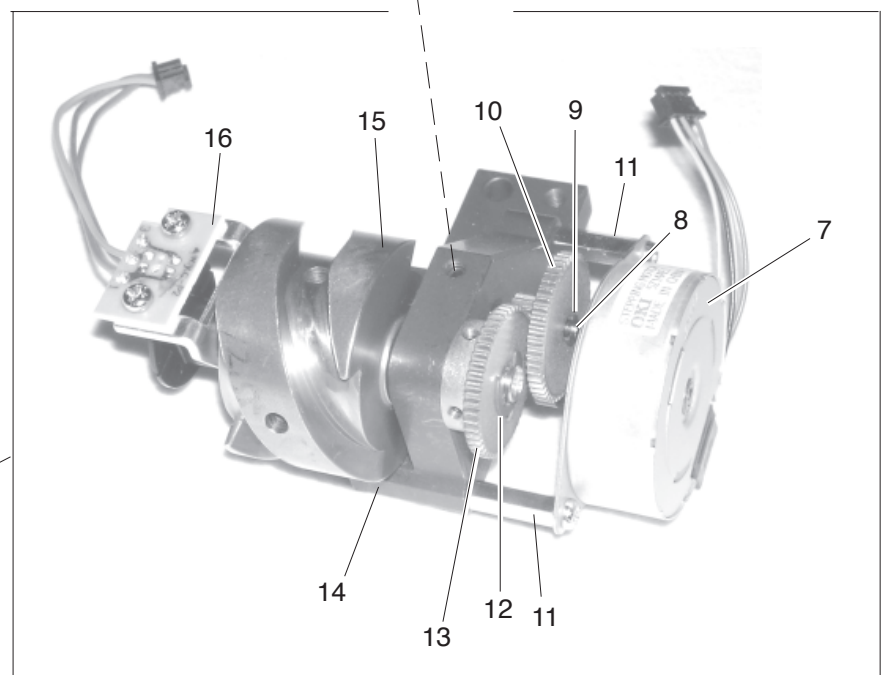
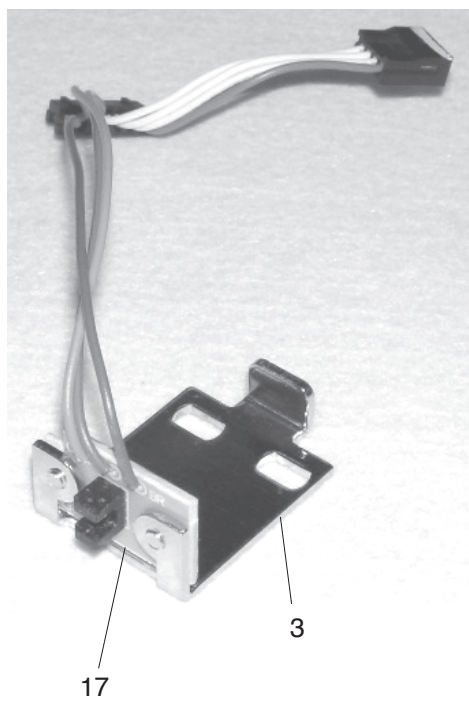
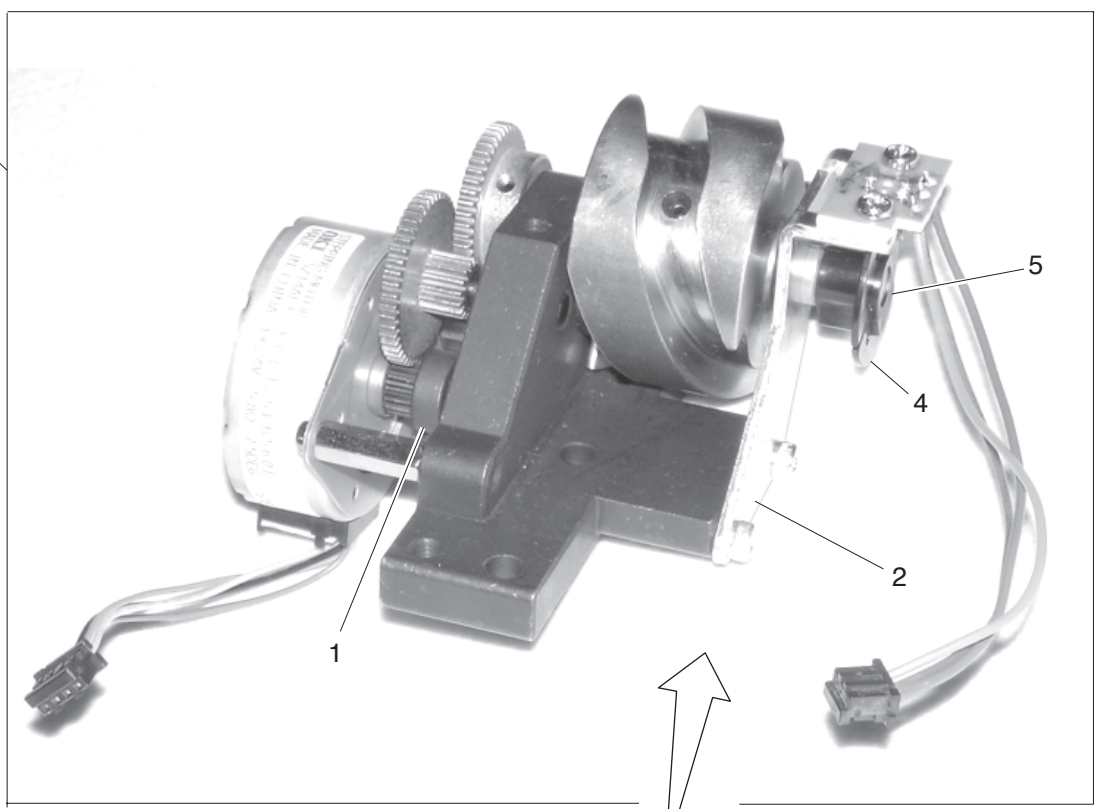
10

PARTS LIST

MB-4

KEY NO.	PARTS NO.	DESCRIPTION
1	770121006	Cam roller
2	000061205	Nut 4-3-7
3	770122007	Roller pin
4	770120005	Presser foot lever
5	770125000	Presser foot rod
6	000036005	Thrust washer
7	770126001	Rod shaft
8	000131506	Rulon washer
9	770034003	Supporting shaft
10	770080002	Main shaft
11	770630003	Presser foot lever (unit)

PARTS LIST



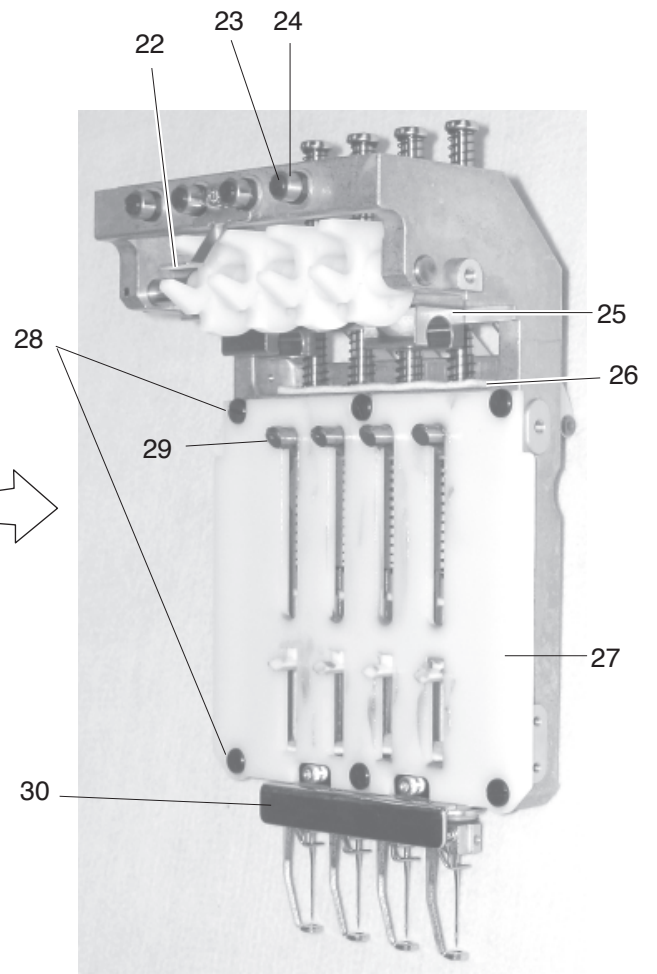
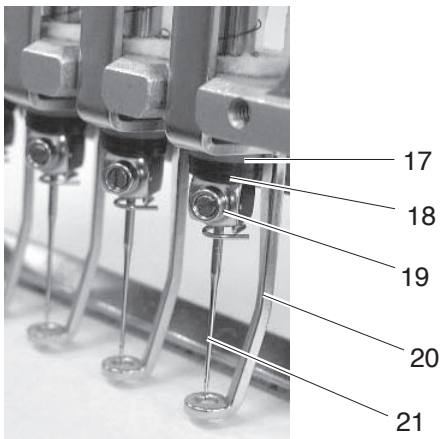
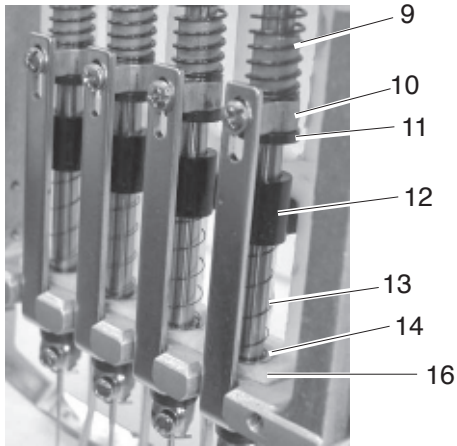
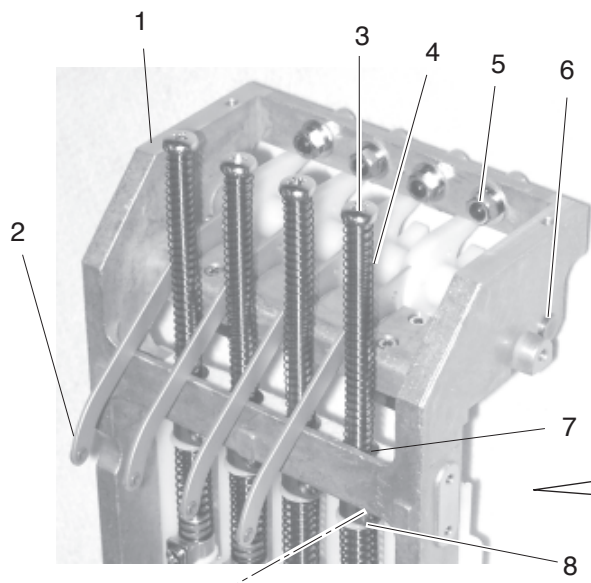
PARTS LIST

MB-4

KEY NO.	PARTS NO.	DESCRIPTION
1	770137005	Horizontal motor gear
2	770140001	Shaft guide plate
3	770144005	Sensor bracket
4	770142003	Needle position sensor slit
5	770134002	Horizontal move drive shaft
6	770147008	Driving motor cover
7	770539207	Pulse motor
8	770146007	Center shaft
9	000002301	Snap ring E 2
10	770136004	Idler gear
11	770138006	Motor stud
12	000001609	Snap ring E 5
13	770135003	Horizontal gear B
14	770133001	Horizontal base
15	770139007	Horizontal cam
16	843502303	Printed circuit board E1 (unit)
17	770564005	Motor harness (Horizontal) (unit)
18	770645001	Horizontal motor drive shaft (unit)

PARTS LIST

MB-4



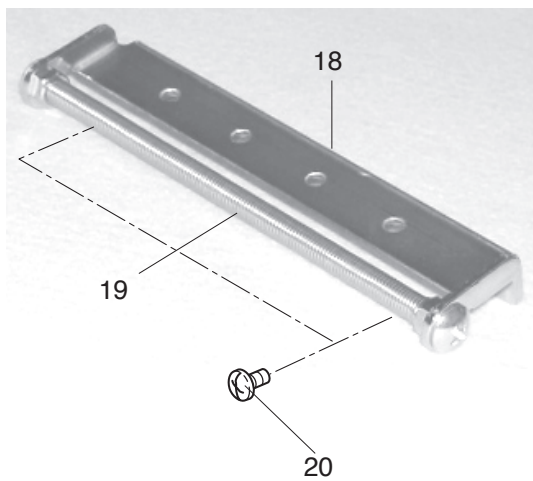
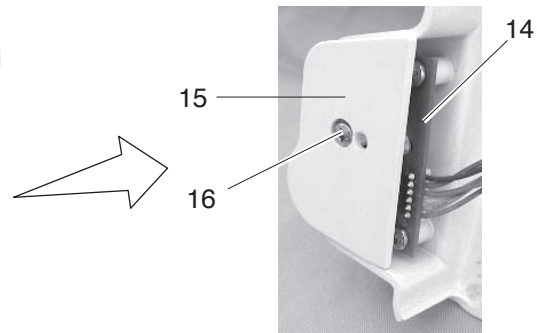
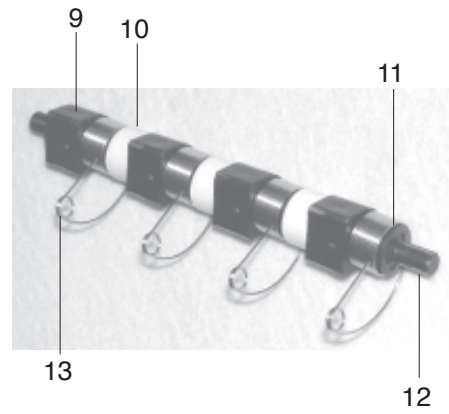
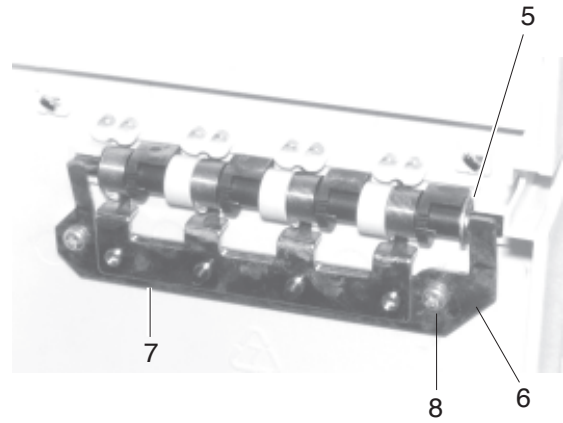
PARTS LIST

MB-4

KEY NO.	PARTS NO.	DESCRIPTION
1	770152006	Dynamic head case
2	770158002	Thread take-up lever
3	770163000	Needle bar
4	770162009	Needle bar supporting upper spring
5	770153007	Head drive pin
6	770157001	Thread take-up lever shaft
7	000070311	Washer 5
8	770168005	Spring cushion
9	770169006	Needle bar supporting lower spring
10	770179009	Presser foot release button
11	770180003	Felt
12	770170000	Presser bar supporter
13	770181004	Presser bar return spring
14	770499008	Washer B
15	770167004	Setscrew
16	770295002	Felt
17	770172002	Presser foot bushing
18	770173003	Needle clamp cushion
19	770509002	Needle clamp (unit)
20	770171001	Presser foot
21	770419004	Needle (#11)
22	770156000	Home position dog
23	770155009	Setscrew
24	770154008	Head drive roller
25	770161008	Head drive guide
26	770164001	Oil felt
27	770176006	Stopper
28	770177007	Setscrew
29	770166003	Needle bar supporterl
30	770178008	Needle drop adjusting rail

PARTS LIST

MB-4



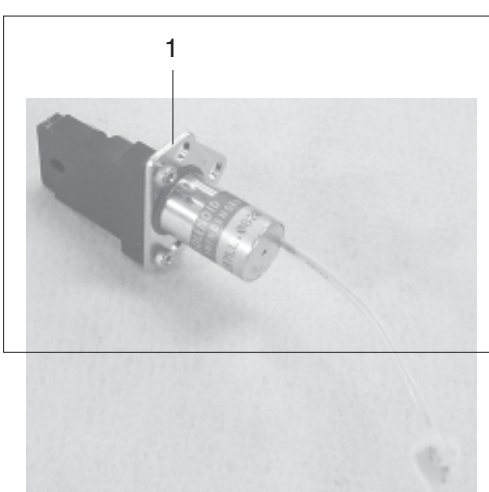
PARTS LIST

MB-4

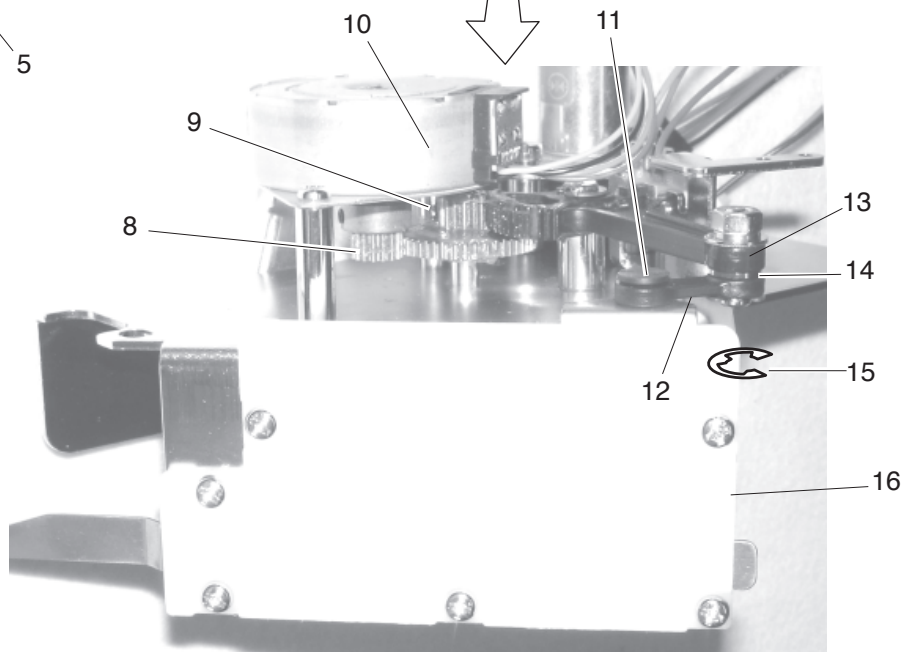
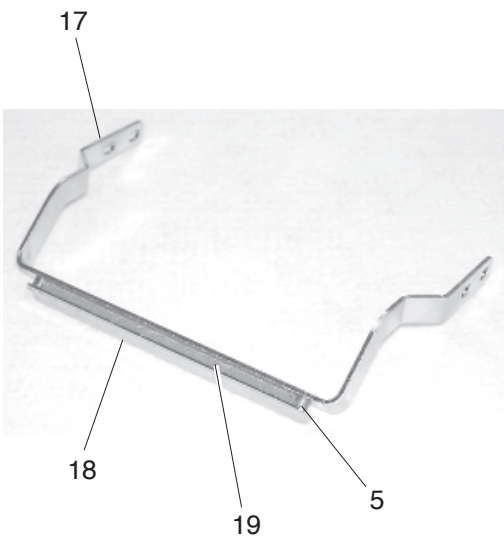
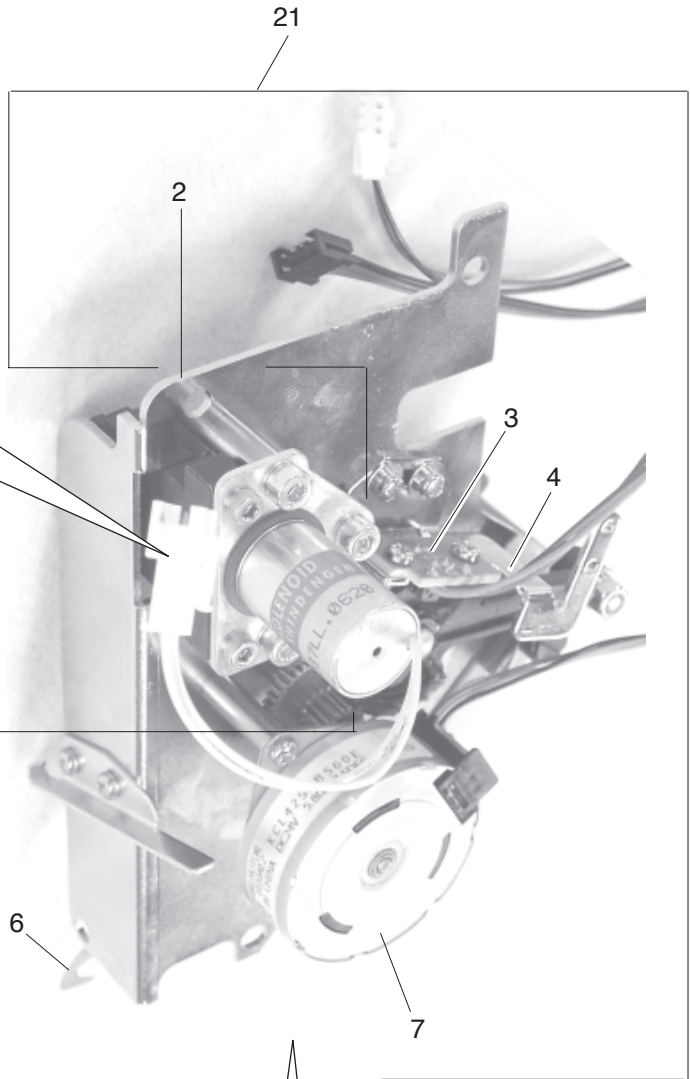
KEY NO.	PARTS NO.	DESCRIPTION
1	770185606	Thread catcher panel
2	770424002	Thread catcher upper guide plate
3	770187000	Needle thread support spring
4	770186009	Thread catcher guide plate
5	000002116	Snap ring E 3
6	770192008	Thread catcher set plate
7	770193009	Adjuster
8	000161114	Setscrew 3 x 6
9	770189002	Block
10	770190006	Block spacer
11	770447001	Snap ring SE 4
12	770191007	Thread catcher supporting shaft
13	770188001	Check spring
14	770535007	Printed circuit board S (unit)
15	770184007	Rear lid
16	000261001	Setscrew 3 x 8
17	770343109	Start/Stop button
18	770195001	Lower thread guide plate
19	770194000	Thread guide spring
20	000165901	Setscrew 4 x 12
21	770404109	Button 1

PARTS LIST

MB-4



20

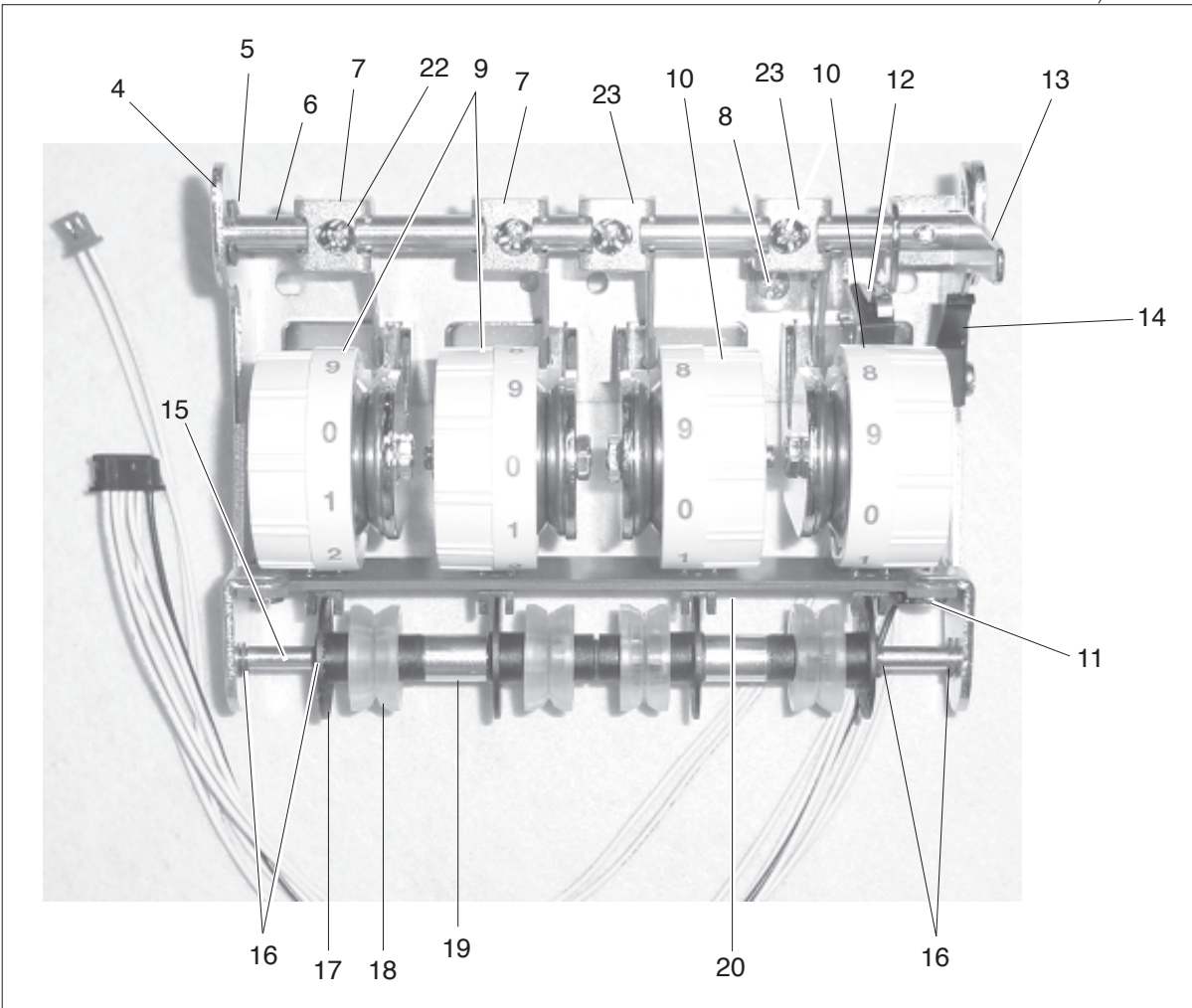
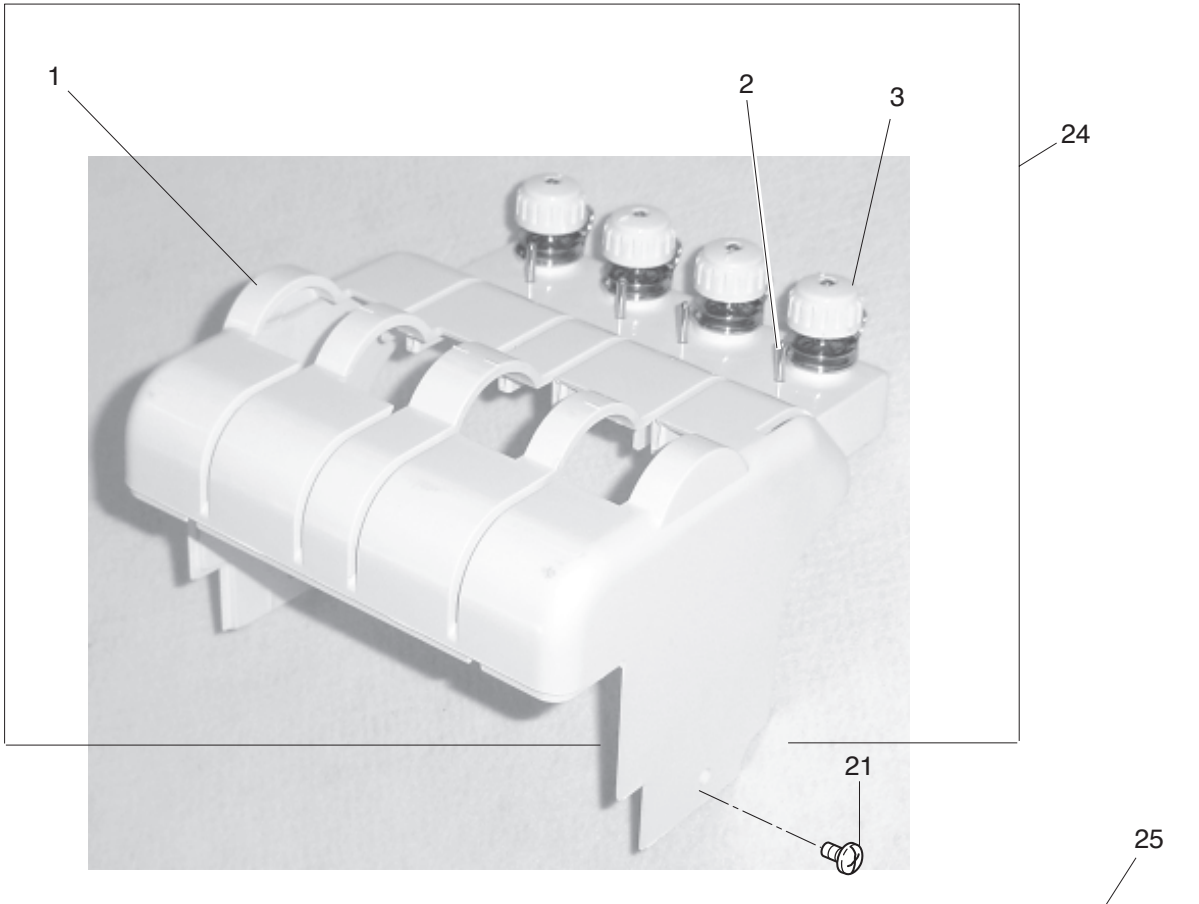


PARTS LIST

MB-4

KEY NO.	PARTS NO.	DESCRIPTION
1	770506009	Jamp solenoid (unit)
2	770507000	Right face plate (unit)
3	770565006	Motor harness (unit)
4	770212005	Printed circuit board set plate
5	770215008	Spacer S
6	770210003	Thread catcher hook
7	770539207	Pulse motor (unit)
8	770204004	Horizontal motor gear A
9	770205005	Horizontal gear
10	000002301	Snap ring E 2
11	770209009	Thread catcher hook spring
12	770207007	Thread catcher connecting link
13	770206006	Thread catcher rod
14	770208008	Rod shaft
15	000002507	Snap ring E 4
16	770211004	Thread catcher guide
17	770213006	Thread catcher upper holder
18	770214007	Thread catcher lower holder
19	770216009	Thread guide brush
20	770631004	Needle bar rest remove (unit)
21	770643009	Thread catcher (unit)

PARTS LIST



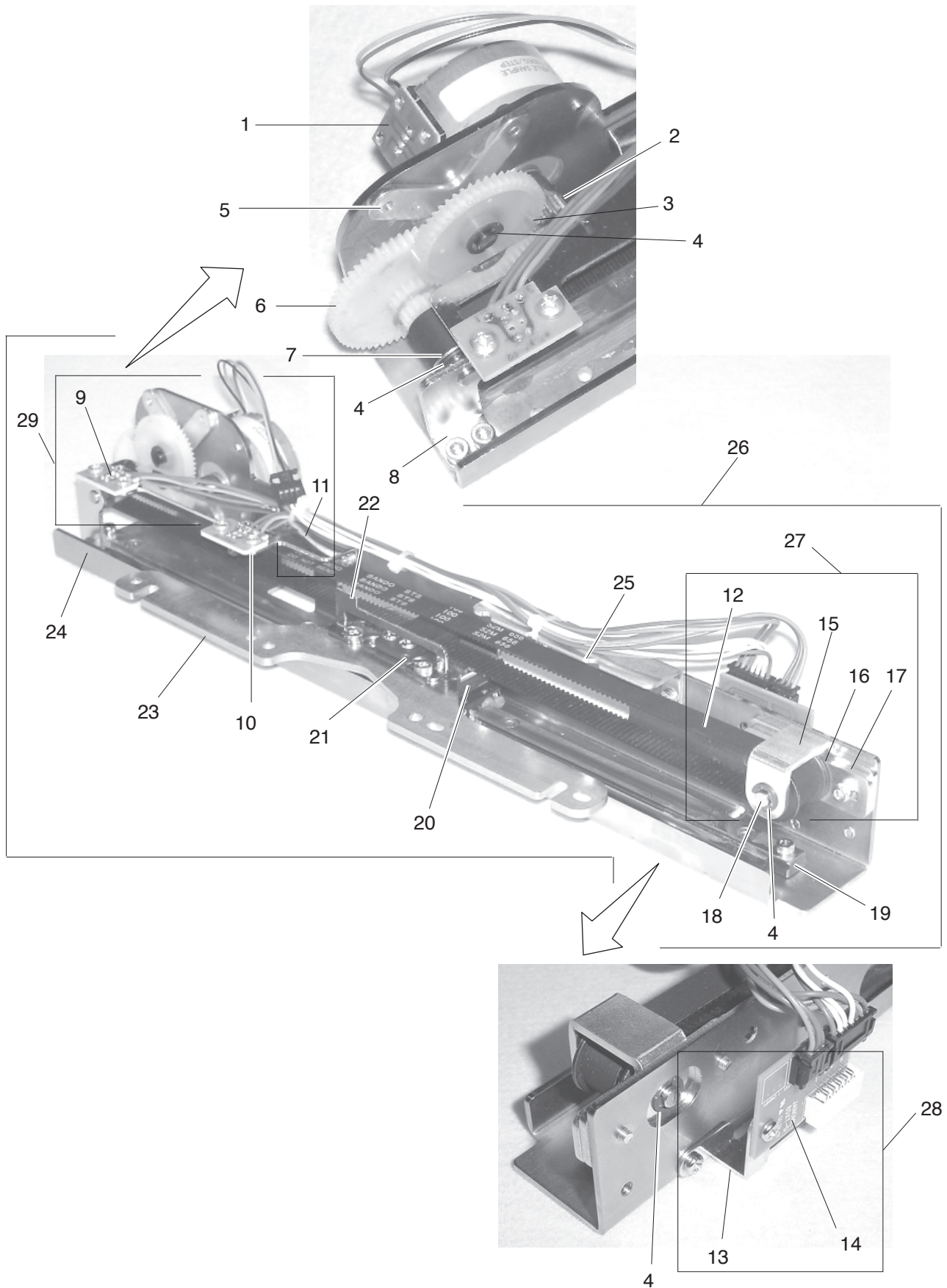
PARTS LIST

MB-4

KEY NO.	PARTS NO.	DESCRIPTION
1	770253008	Thread tension panel
2	770252007	Guide pin
3	770515001	Pretension (unit)
4	770236005	Thread tension bracket
5	000001609	Snap ring E 5
6	770250005	Release shaft
7	770243005	Thread release arm A
8	000103808	Setscrew 3 x 5
9	770512008	Thread tension A (unit)
10	770513009	Thread tension B (unit)
11	000101105	Setscrew 3 x 4
12	846513801	Micro switch (unit)
13	770245007	Thread tension release lever
14	770249001	Stopper spring
15	770240013	Sensor roller shaft
16	000002116	Snap ring E 3
17	770241003	Sensor slit
18	770242004	Sensor roller
19	770239019	Sensor spacer
20	770514000	Printed circuit board G (unit)
21	000166005	Setscrew 4 x 8
22	000066705	Setscrew 3 x 8
23	770244006	Thread release arm B
24	770613000	Thread tension panel (unit)
25	770602109	Thread tension (unit)

PARTS LIST

MB-4

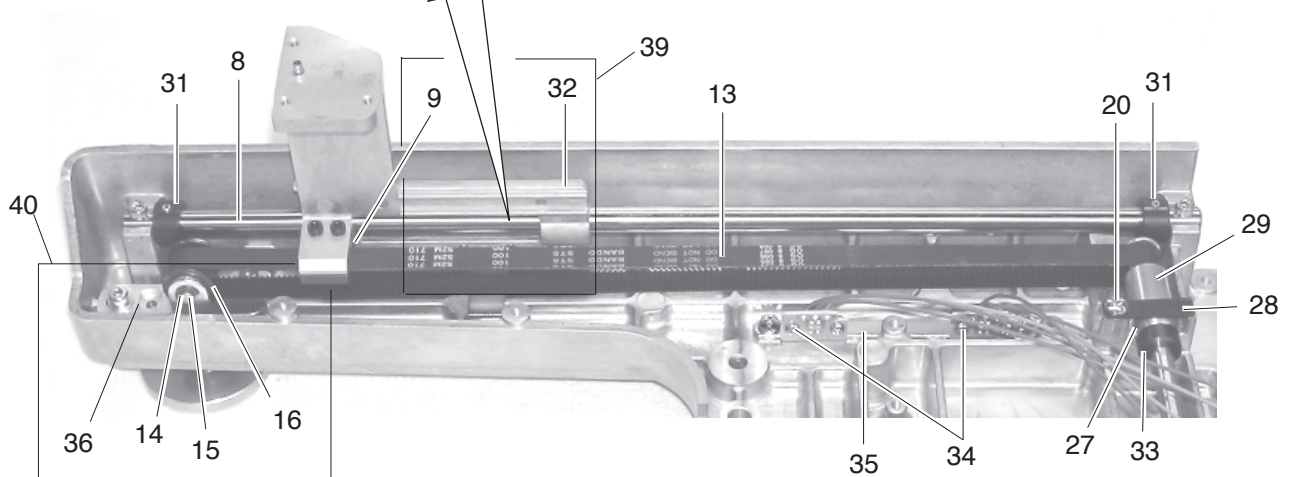
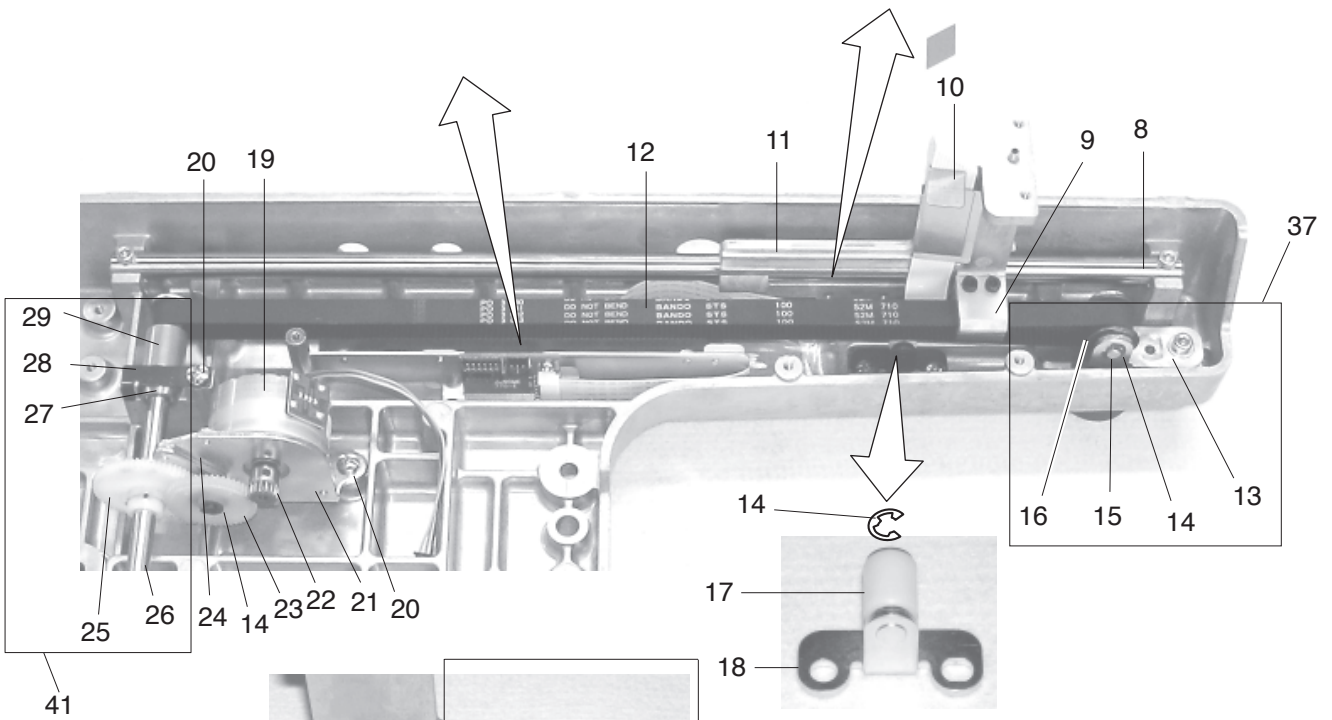
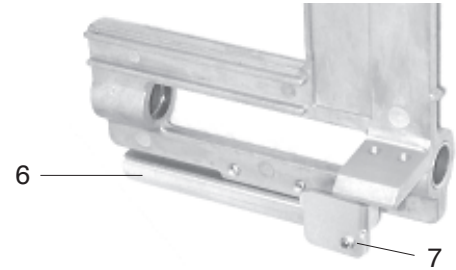
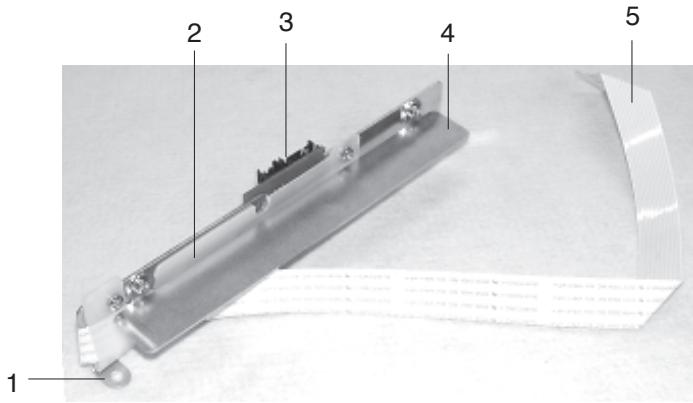


PARTS LIST

MB-4

KEY NO.	PARTS NO.	DESCRIPTION
1	770532004	Stepping motor
2	770379001	Motor gear
3	770380005	X gear
4	000002507	Snap ring E 4
5	850110106	X gear set plate
6	770262000	X drive pulley
7	000070311	Washer 5
8	770271002	X drive pulley shaft supporter
9	843502406	Printed circuit board E1 (unit)
10	770566007	Motor harness (unit)
11	770276007	X sensor set plate
12	770280004	X timing belt
13	770270001	Printed circuit board bracket 1
14	770533005	Printed circuit board D (unit)
15	770277008	X tension pulley plate
16	770528007	Tension pulley (unit)
17	770438009	Pulley spacer
18	770278009	X tension pulley shaft
19	770269007	X rail (LM guide)
20	770268006	LM connecting block
21	770264002	X belt foot
22	770265003	X carriage sensor plate
23	770267005	Connecting plate
24	770518004	X carriage base (unit)
25	770442006	Bracket
26	770646002	X carriage base (unit)
27	770649005	X tension pulley (unit)
28	770648004	Printed circuit 1 (unit)
29	770647003	X sensor set plate (unit)

PARTS LIST



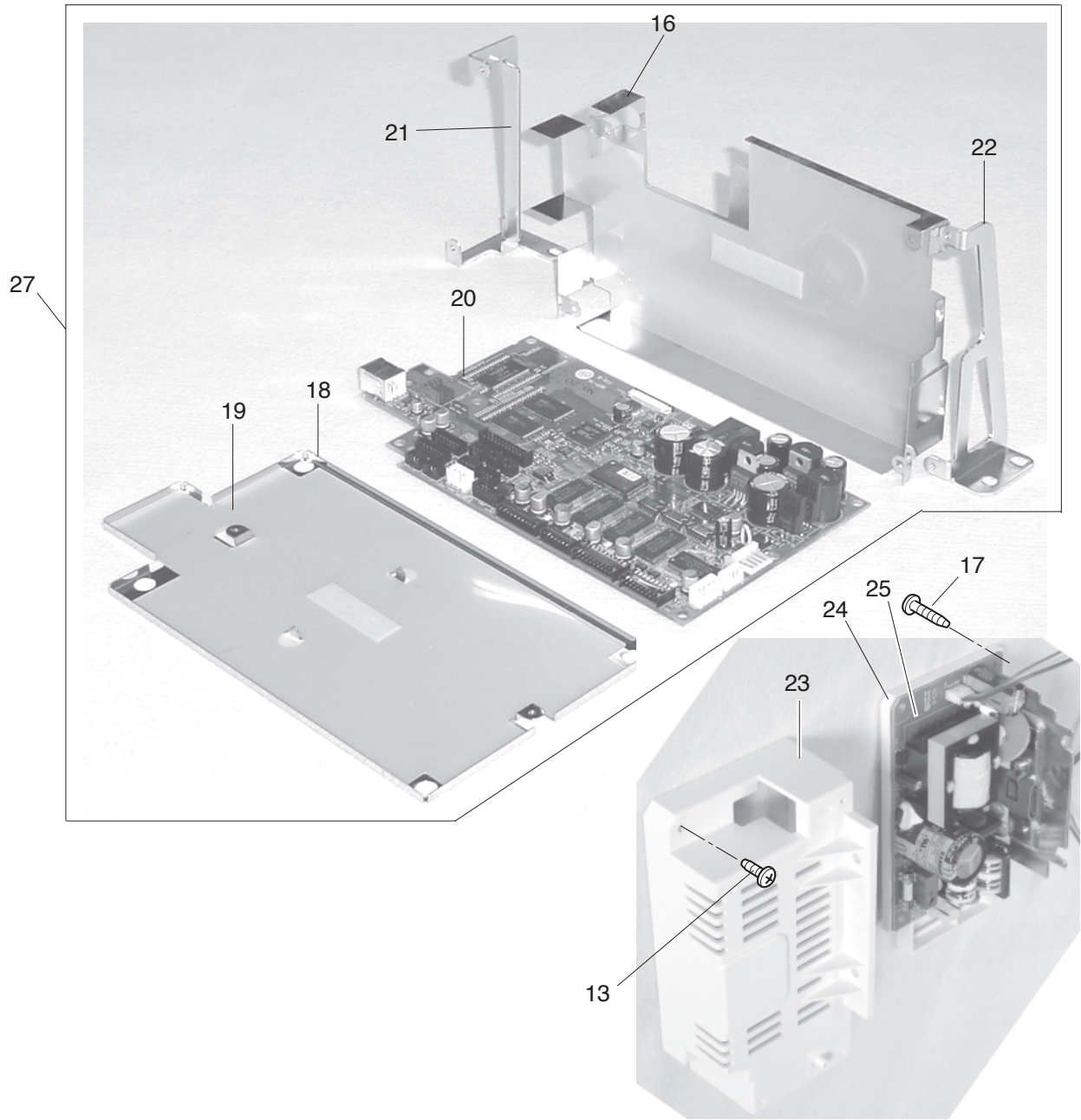
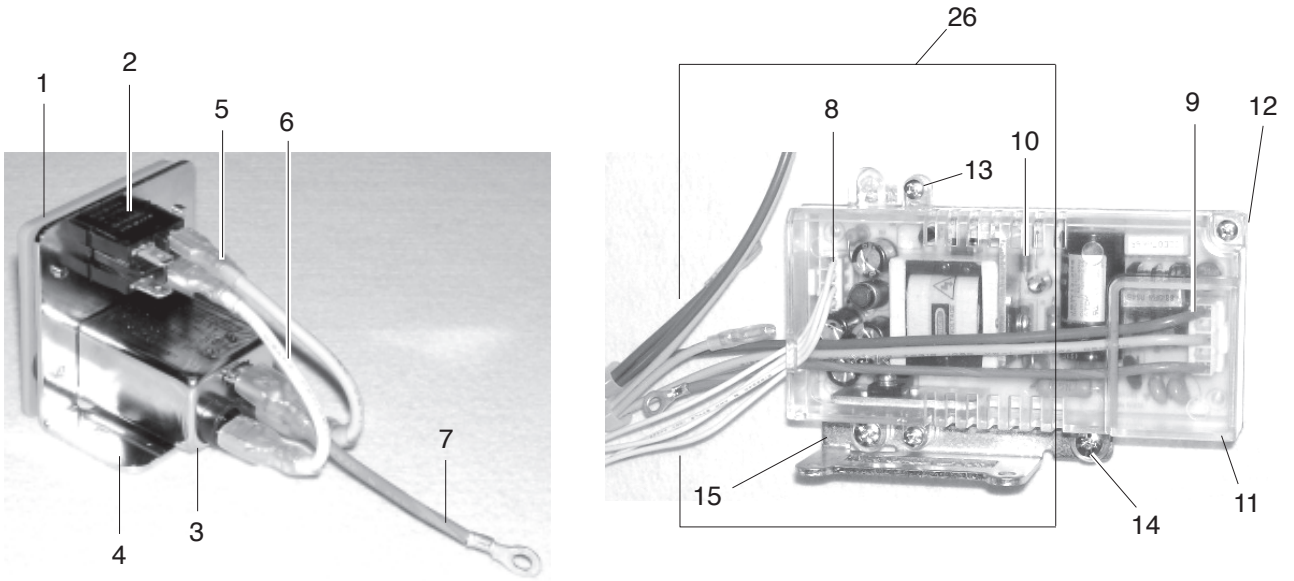
PARTS LIST

MB-4

KEY NO.	PARTS NO.	DESCRIPTION
1	770300001	Printed circuit board bracket 2
2	770384009	Cable guide 2
3	843503706	Printed circuit board E2 (unit)
4	770403005	Belt guide plate
5	770542007	Flexible cable (unit)
6	770301002	Flexible set plate
7	770183006	Cable guide 1
8	770291008	Y carriage shaft
9	770288002	Y belt foot
10	770302003	Cording foot
11	770274005	X carriage connecting block L
12	770290007	Y timing belt
13	770256001	Y tension pulley right plate
14	000002507	Snap ring E 4
15	770296003	Y tension pulley shaft
16	770528007	Tension pulley (unit)
17	770383008	Belt roller
18	770398006	Belt roller (unit)
19	770532004	Stepping motor
20	000081016	Setscrew 4 x 8
21	770286000	Y pulse motor bracket
22	770379001	Motor gear
23	770380005	X gear
24	850110106	X gear set plate
25	770284008	Y drive pulley
26	770281005	Y carriage gear shaft
27	770529008	Spherical metal (unit)
28	770287001	Metal supporter
29	770530002	Timing belt pulley (unit)
30	770292009	Y carriage sensor plate
31	770303004	Y rail stopper
32	770272003	X carriage connecting block R
33	770282006	Collar
34	770567008	Motor harness Y (unit)
35	770298005	Sensor set plate
36	770257002	Y tension pulley left plate
37	770652001	Y tension pulley right plate (unit)
38	770651000	X carriage connecting block L (unit)
39	770650000	X carriage connecting block R (unit)
40	770653002	Y tension pulley left plate (unit)
41	770654003	Y carriage gear shaft (unit)

PARTS LIST

MB-4

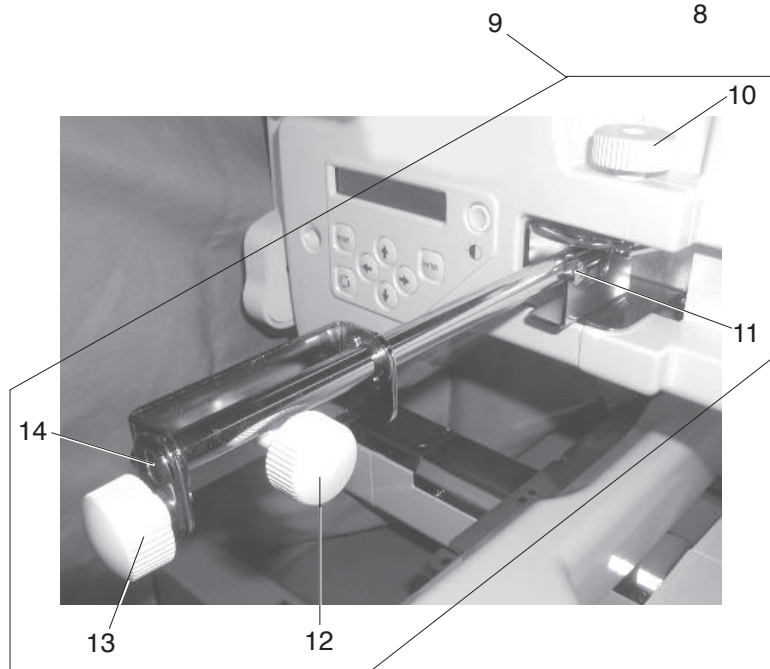
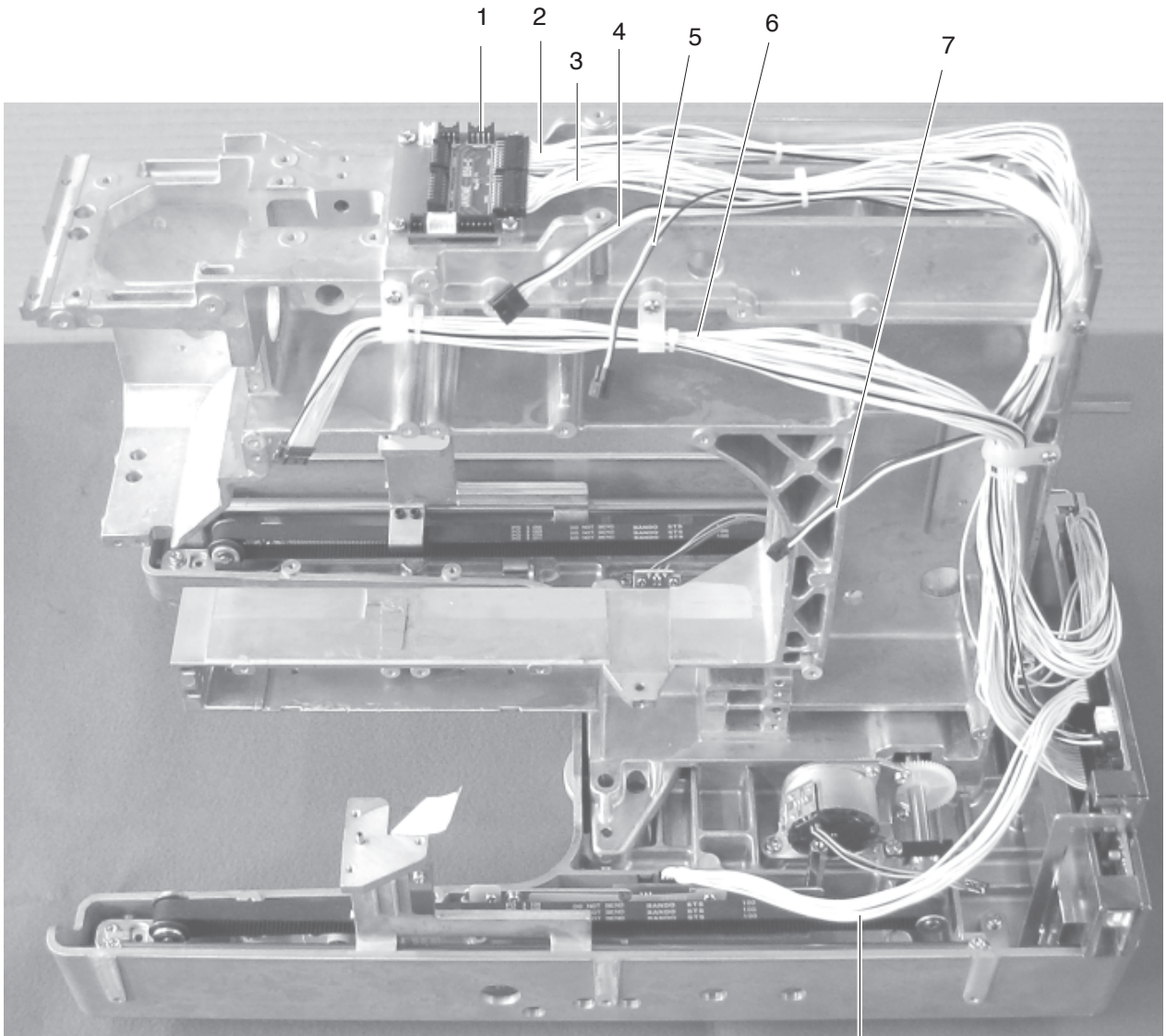


PARTS LIST

MB-4

KEY NO.	PARTS NO.	DESCRIPTION
1	770235004	Inlet lid
2	860545002	Main switch
3	770562003	Noise filter inlet
4	770333003	Inlet set plate
5	770544009	Inlet cord (unit)
6	770544102	Inlet cord (unit)
7	770555003	Grounding cord (unit)
8	770549004	Secondary power supply harness (unit)
9	770545000	Primary power supply harness (unit)
10	770538000	Switching power supply 30W (unit)
11	860062000	Switching power supply case
12	860063104	Switching power supply plate
13	000161309	Setscrew 3 x 12
14	000081016	Setscrew 4 x 8
15	770388003	Set plate A (30W)
16	770391009	Shielding case B (2)
17	000161206	Setscrew 3 x 10
18	770390008	Shielding case B (1)
19	770392000	Insulation sheet B (1)
20	770527109	Printed circuit board B (unit)
21	770337007	Printed circuit board left set plate
22	770336006	Printed circuit board right set plate
23	770386001	Auxiliary power supply case
24	770387002	Case lid
25	860519007	Switching power supply (unit)
26	770607001	Auxiliary power supply (unit)
27	770604101	Shielding case B (unit)

PARTS LIST



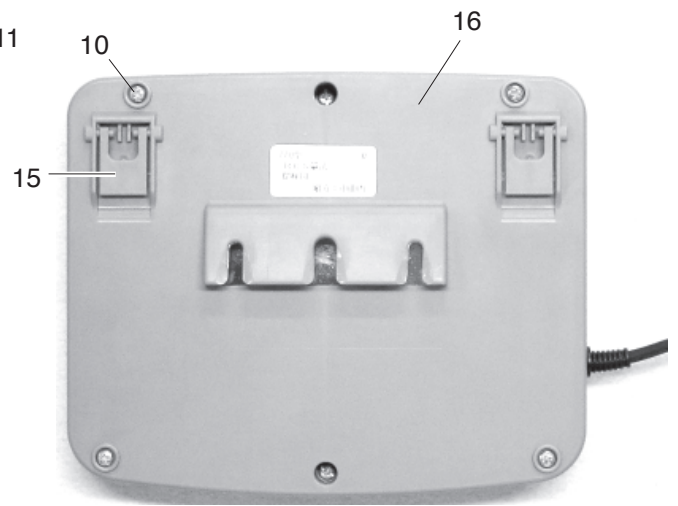
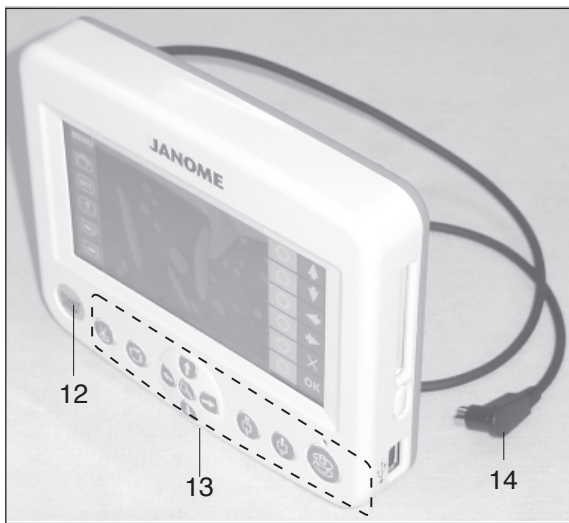
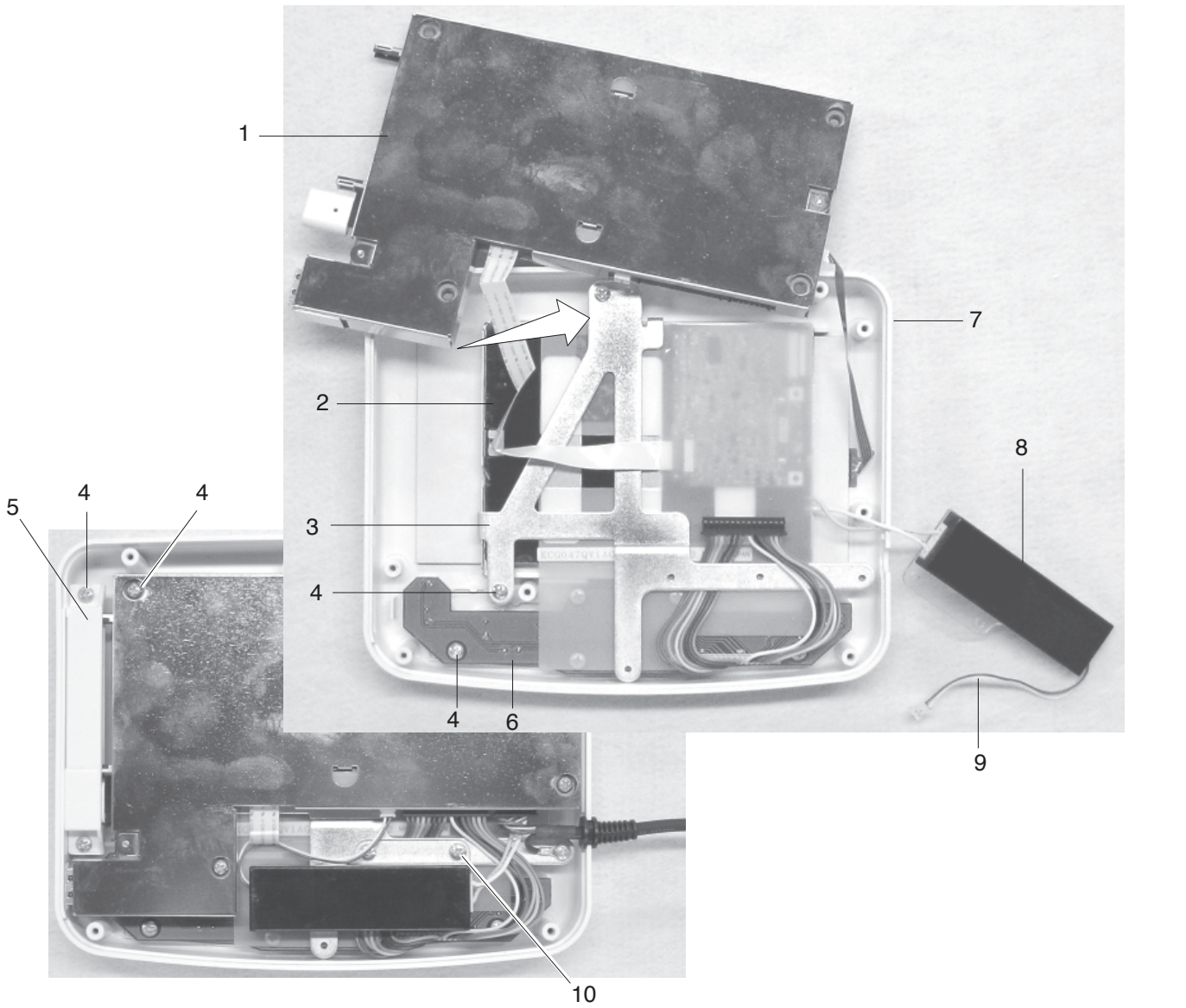
PARTS LIST

MB-4

KEY NO.	PARTS NO.	DESCRIPTION
1	770531003	Printed circuit board C (unit)
2	860530107	Harness (unit) (18P)
3	770540005	Harness (unit) (20P)
4	770552000	Harness (unit) (6P)
5	770546001	Harness (unit) (3P)
6	770554002	Harness (unit) (24P)
7	770553001	Harness (unit) (2P)
8	860565008	Harness (unit) (12P)
9	770621001	RCS arm (unit)
10	770308009	RCS knob
11	000103509	Setscrew 4 x 10
12	770413008	RCS knob (3)
13	770412007	RCS knob (2)
14	000115216	Setscrew TP 4 x 6

PARTS LIST

MB-4



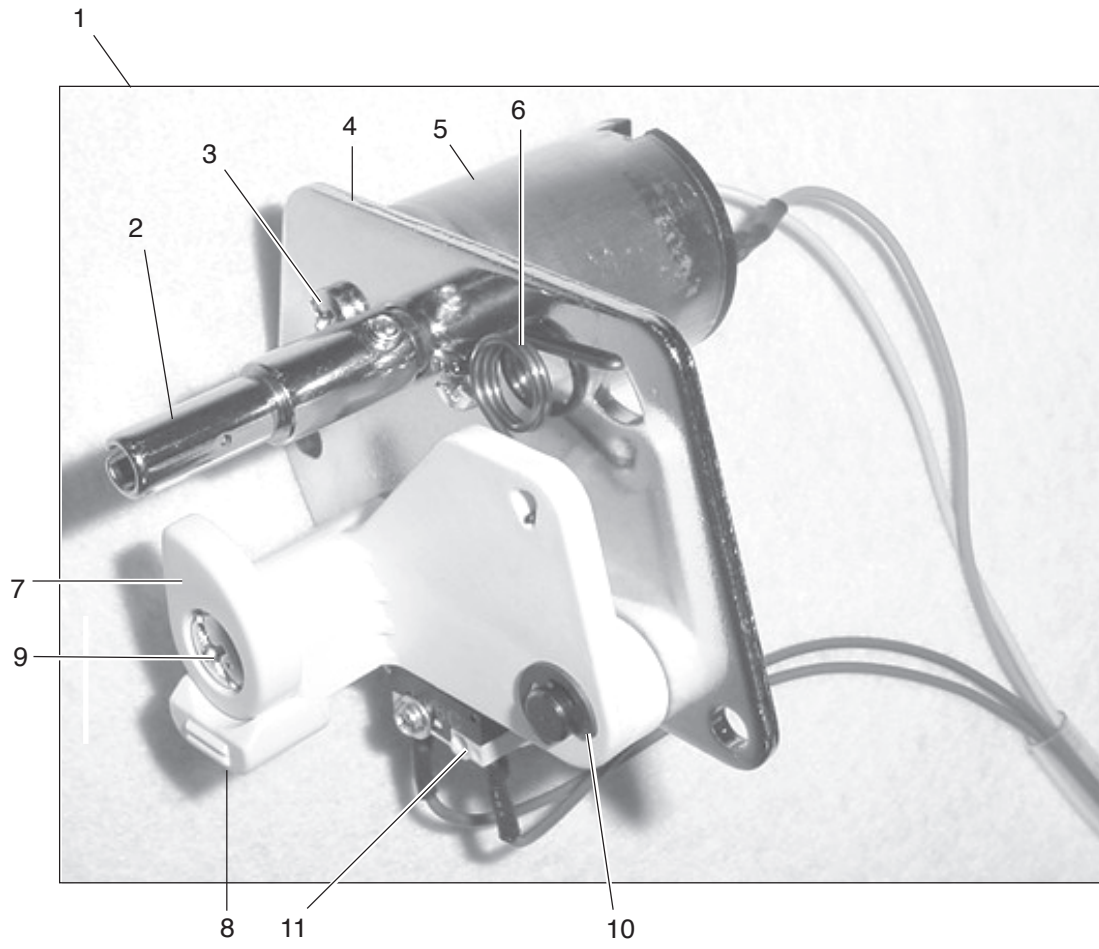
PARTS LIST

MB-4

KEY NO.	PARTS NO.	DESCRIPTION
1	770620000	Printed circuit board A (unit)
2	770618005	LCD (unit)
3	770347000	LCD set plate
4	000120203	Setscrew 3 x 8
5	770351007	Card guide
6	770520009	Printed circuit board F (unit)
7	770341107	RCS
8	850612000	Inverter (unit)
9	850524107	Inverter harness (unit)
10	000103808	Setscrew 3 x 5
11	770601005	RCS (unit)
12	770343109	Start/Stop button
13	770344100	Button panel
14	770559007	Harness (unit) (mini DIN)
15	770353009	RCS leg
16	770342016	RCS rear lid

PARTS LIST

MB-4



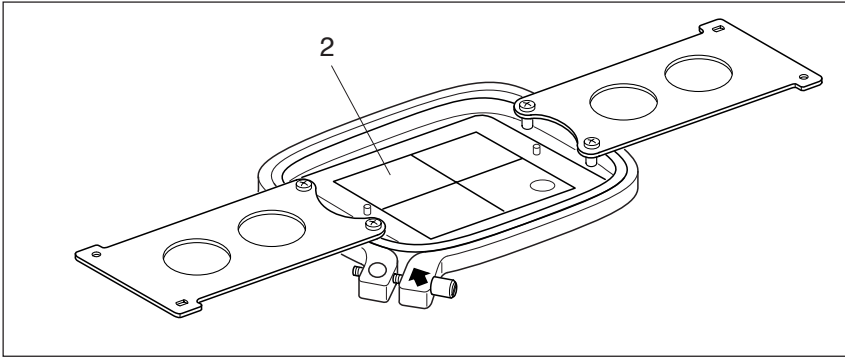
PARTS LIST

MB-4

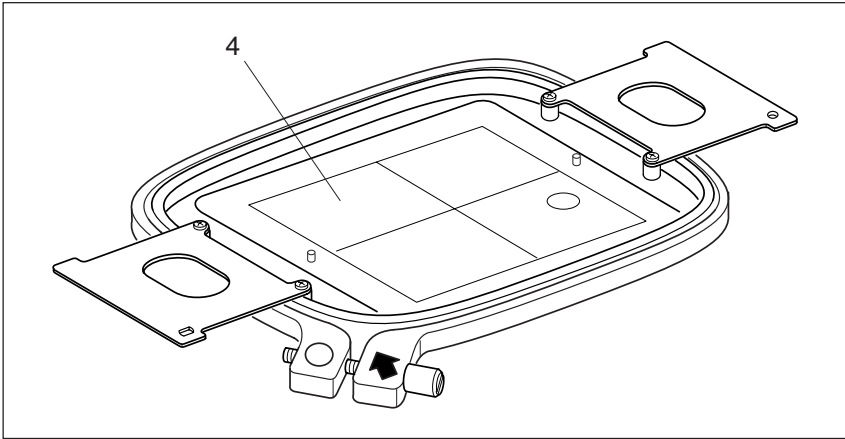
KEY NO.	PARTS NO.	DESCRIPTION
1	770603007	Bobbin winder (unit)
2	767508001	Bobbin winder shaft (unit)
3	000101116	Setscrew 3 x 4
4	770330000	Bobbin winder set plate
5	846510107	Bobbin winder motor (unit)
6	846178109	Bobbin winder spring
7	846177108	Bobbin winder stopper
8	846176107	Bobbin winder lever
9	000104108	Setscrew 4 x 20
10	000002507	Snap ring E 4
11	846514101	Micro switch (unit)

PARTS LIST

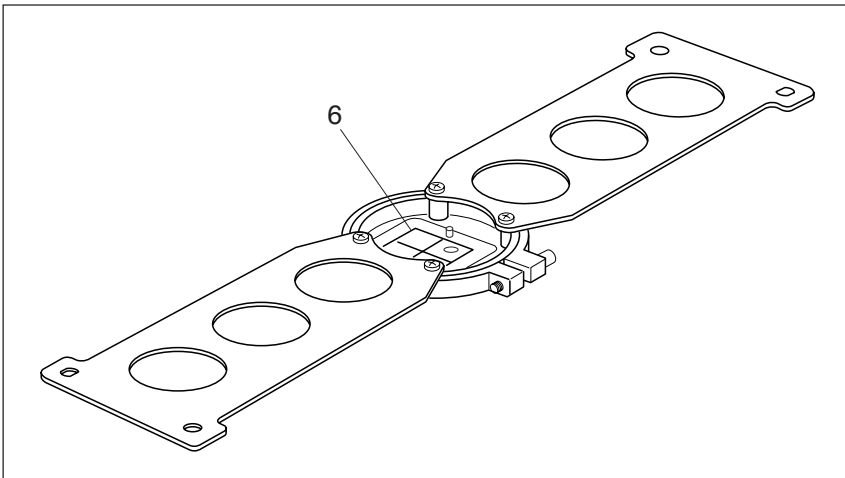
1



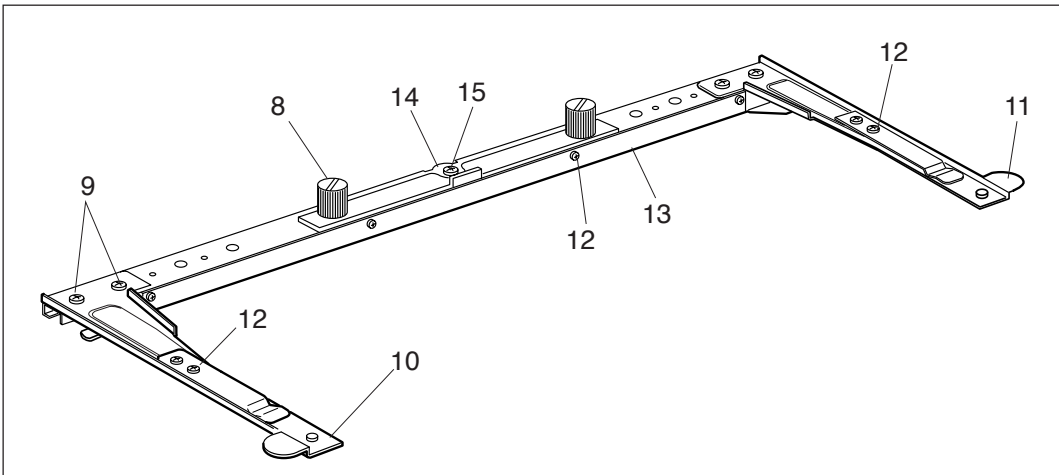
3



5



7



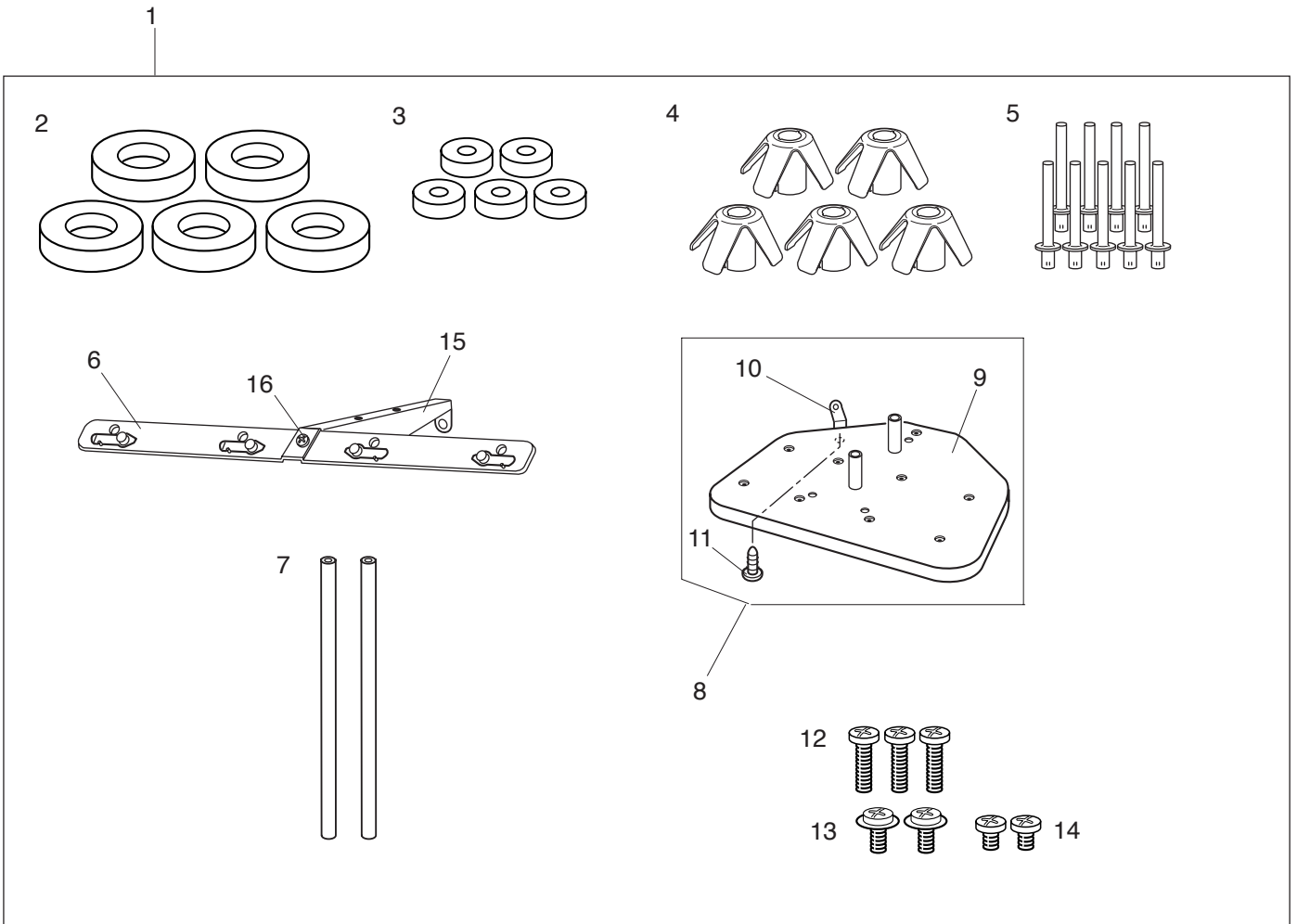
PARTS LIST

MB-4

KEY NO.	PARTS NO.	DESCRIPTION
1	770808004	Standard hoop M2 (unit)
2	770808200	Template sheet (standard)
3	770807003	Large hoop M1 (unit)
4	770807209	Template sheet (large)
5	770809005	Small hoop M3 (unit)
6	770809201	Template sheet (small)
7	770523002	Connecting arm fixing knob (unit)
8	770319003	Hoop knob (2)
9	000217909	Setscrew 4 x 8
10	770315009	Hoop supporting arm (L) (Unit)
11	770314008	Hoop supporting arm (R) (unit)
12	000103819	Setscrew 3 x 5
13	770440004	Support plate
14	770385000	Support roller
15	000101415	Setscrew 4 x 6

PARTS LIST

MB-4



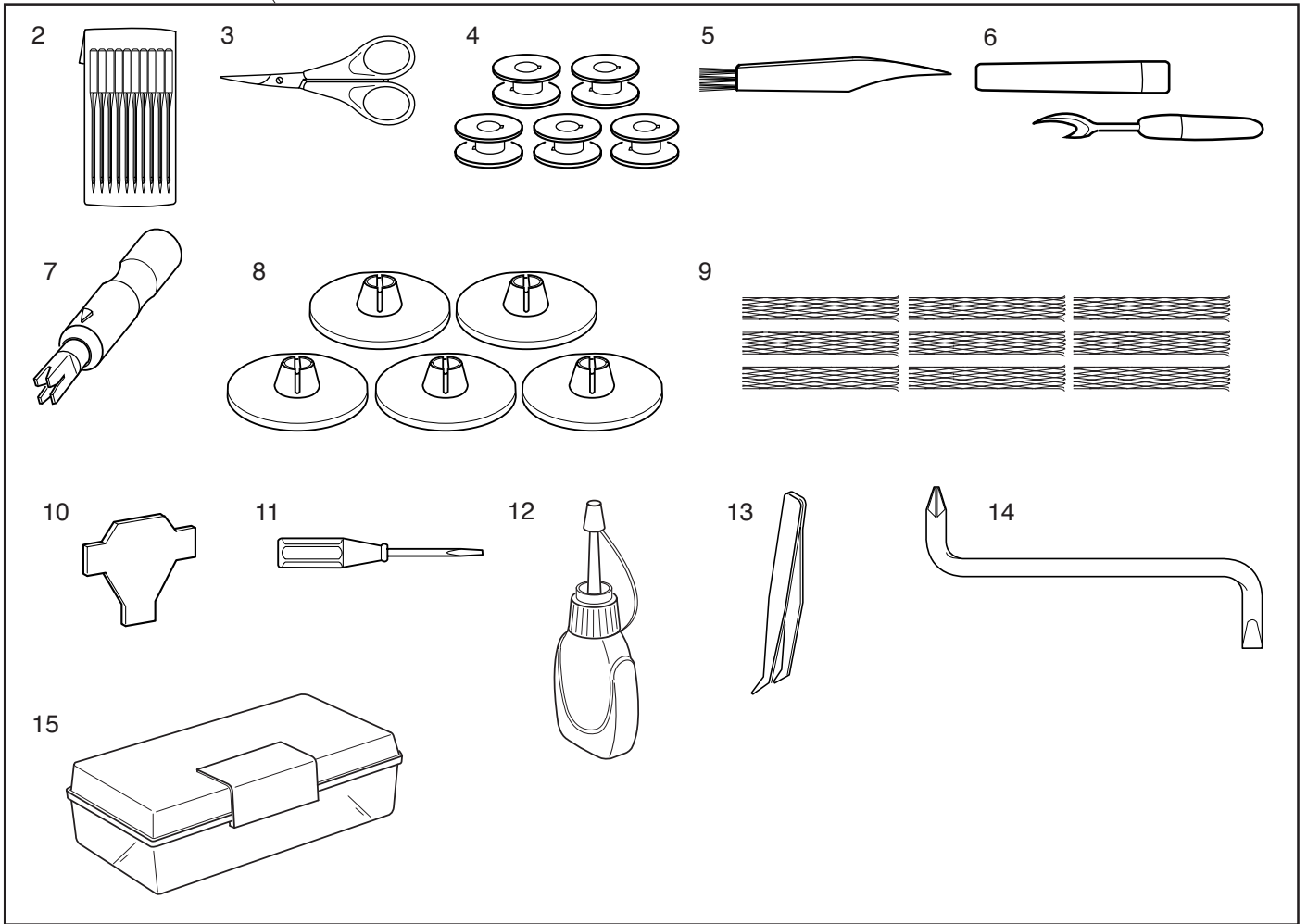
PARTS LIST

MB-4

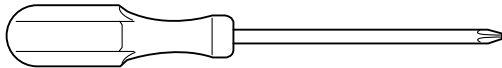
KEY NO.	PARTS NO.	DESCRIPTION
1	770624004	Spool stand (unit)
2	770406019	Felt
3	770364014	Spool stand (felt)
4	770820002	Spool supporter
5	770421009	Spool pin
6	770623003	Thread guide (unit)
7	770259004	Support rod
8	770622002	Spool stand (unit)
9	770420008	Spool stand (2)
10	770360009	Bobbin thread guide
11	000261001	Setscrew 3 x 8
12	000106812	Setscrew 4 x 35
13	000115700	Setscrew TP
14	000081016	Setscrew 4 x 8
15	770359005	Thread guide arm
16	000078320	Setscrew 3 x 6

PARTS LIST

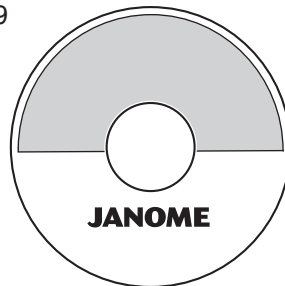
1



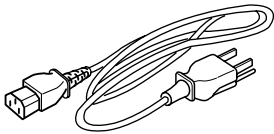
16



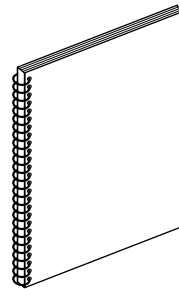
19



17



20



18



PARTS LIST

MB-4

KEY NO.	PARTS NO.	DESCRIPTION
1	770804000	Standard accessories (unit)
2	770811000	Needle
3	803813203	Scissors
4	761094104	Bobbin
5	802424004	Lint brush
6	647808009	Seam ripper
7	200254007	Needle threader
8	822020503	Spool holder (large)
9	624806202	Net
10	653802002	Screwdriver
11	792030005	Screwdriver (small)
12	770816005	Oil
13	888804008	Tweezers
14	770810009	Offset screwdriver
15	366401400	Standard accessory case
16	718410003	Screwdriver
17	980559200	Power supply cord (U.S.A.) (Canada) (UK)
	980542015	Power supply cord (Australia)
	980543005	Power supply cord (Continental Europe) (Latin America)
	980544006	Power supply cord (UK)
	770577001	Power supply cord (Argentina)
18	850403006	USB cable
19	770806404	Instruction CD
20	770805045	Instruction book (English)
	770805207	Instruction book (Dutch)
	770805104	Instruction book (French)
	770805300	Instruction book (German)
	770805403	Instruction book (Spanish)
	770805506	Instruction book (Italian)
	770805609	Instruction book (Portuguese)
	770805702	Instruction book (Swedish)