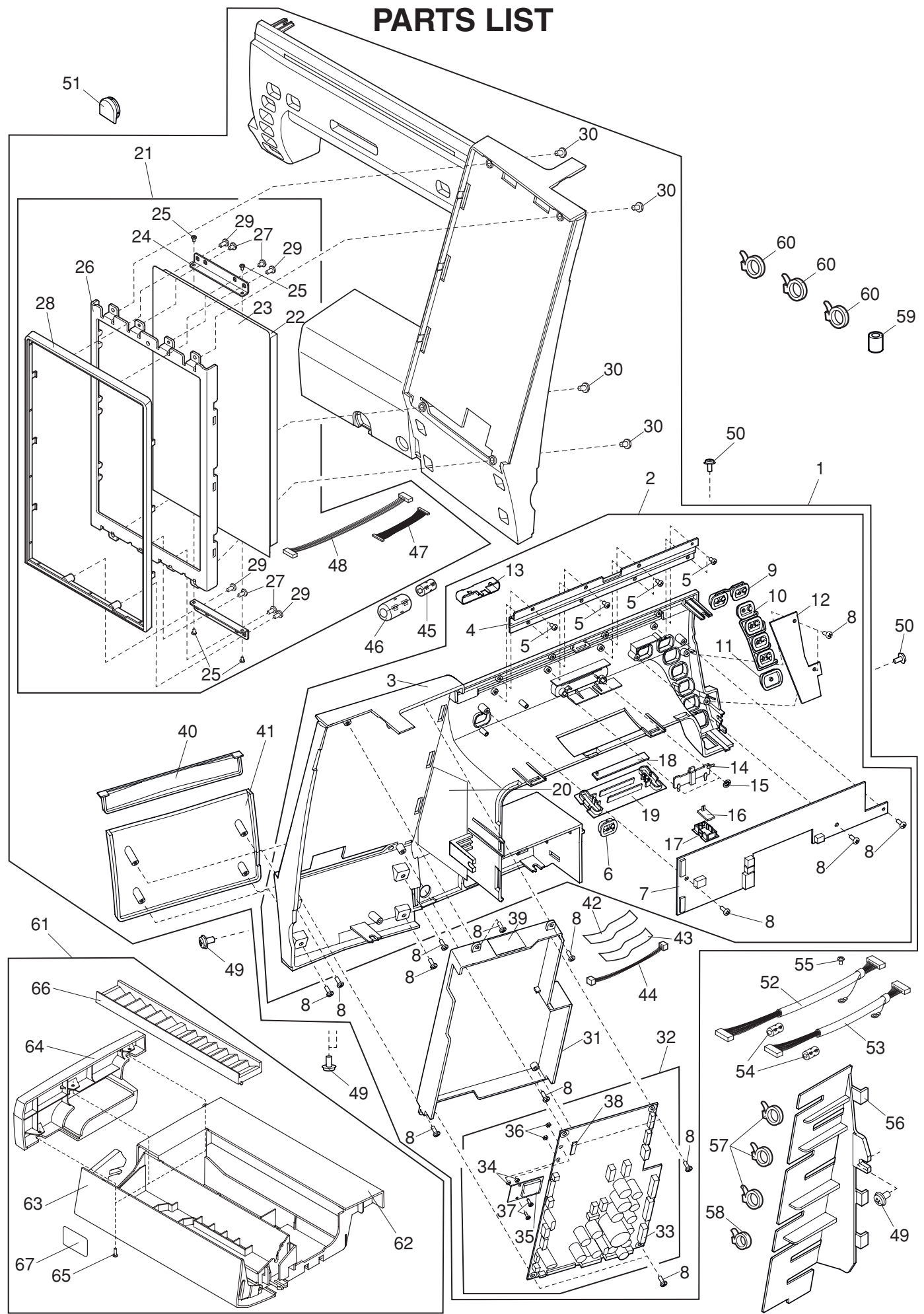


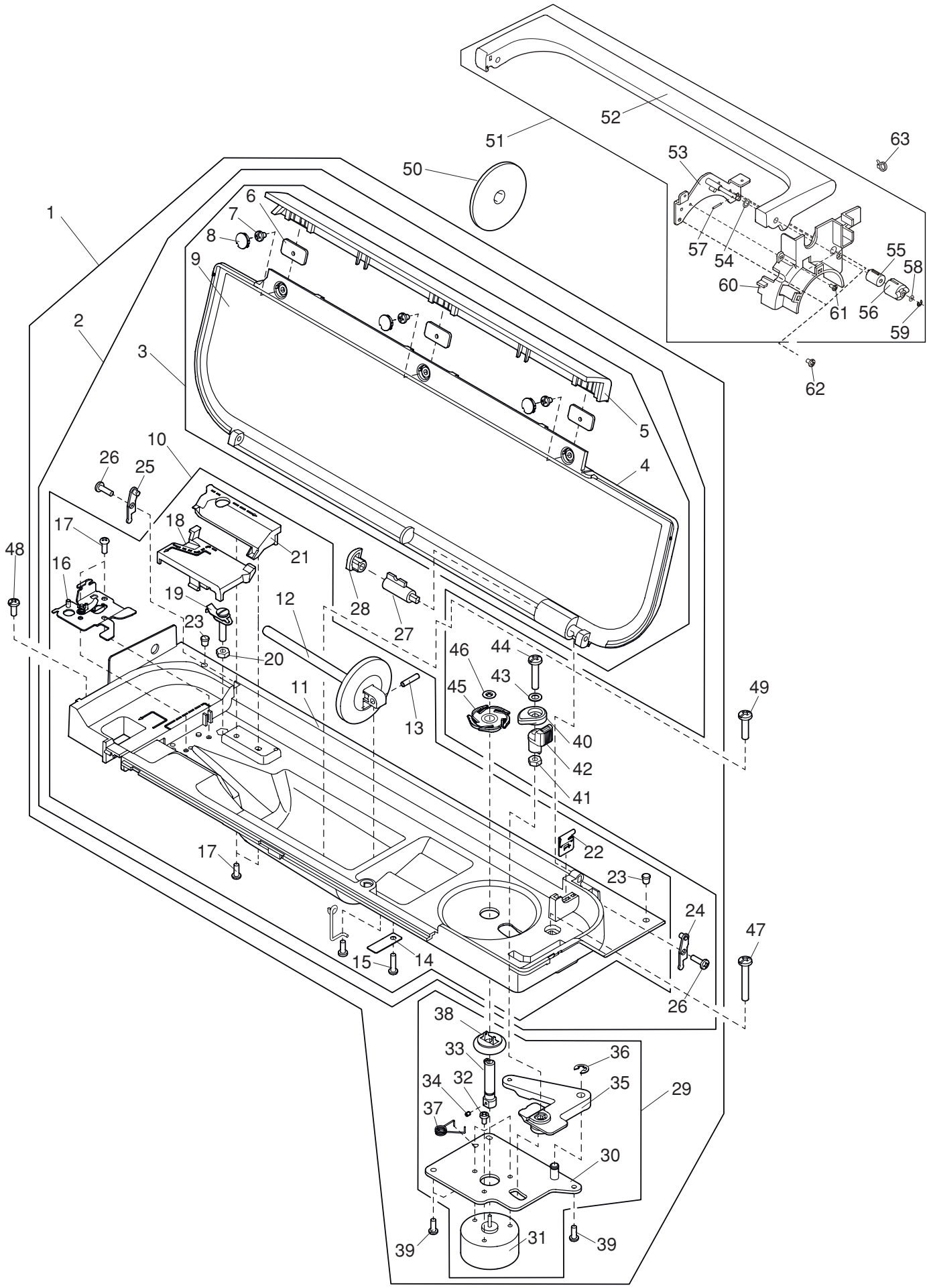
# PARTS LIST



# PARTS LIST

KEY NO.	PARTS NO.	DESCRIPTION	KEY NO.	PARTS NO.	DESCRIPTION
1	862646000	Front cover (all unit)	52	862523000	Cable 26 pin [A-U1]
2	862635006	Front cover (unit)	53	862524001	Cable 24 pin [A-U1]
3	862087100	Front cover	54	000595203	Ferrite core
4	862636007	Line light decorative plate	55	000101404	Setscrew 4x6
5	000162001	Setscrew 2.6 x 5 (B)	56	862138004	Base plate for ferrite cores
6	862637008	Bobbin winding button	57	000053204	Cord binder
7	862512006	Printed circuit board K (unit)	58	000053307	Cord binder
8	000120203	Setscrew 3x 8 (B)	59	000560106	Ferrite core
9	862639000	Function button 2 (unit)	60	000053307	Cord binder
10	862638009	Function button 1 (unit)	61	862506007	Extension table (unit)
11	862093109	Start/stop button	62	859042000	Extension table
12	862516000	Printed circuit board F (unit)	63	862009108	Extension table lid
13	862095008	Speed control slider	64	862010009	Extension table cover
14	653507277	Slide volume (unit)	65	000161206	Setscrew 3x10
15	000014306	Snap ring CS-3	66	859146005	Foot tray
16	859506100	Printed circuit board L1 (unit)	67	862113003	Sticker
17	858106000	LED cover 2			
18	859525507	Printed circuit board L2 (unit)			
19	860167006	Lamp cover 2			
20	862137003	Shielding sheet			
21	862640004	Interface (unit)			
22	862518002	LCD (unit)			
23	862521008	Touch screen (unit)			
24	862096009	LCD set plate			
25	000163703	Setscrew 2 x 3.5			
26	862097000	Touch screen frame			
27	000101105	Setscrew 3 x 4			
28	862098104	Interface frame			
29	000161103	Setscrew 3 x 6 (B)			
30	000081005	Setscrew 4 x 8			
31	862641005	Printed circuit board A case (unit)			
32	862642006	Printed circuit board A (unit)			
33	862522009	Printed circuit board A (unit)			
34	000249601	Spacer CB-200-1.5E			
35	862528005	Communication module			
36	000062206	Hexagonal socket screw 2-1-4			
37	000169802	Setscrew 2 x 6			
38	862070007	Communication module sticker			
39	862530000	Antenna (unit)			
40	862101101	Decorative plate 1			
41	862102102	Decorative plate 2			
42	862513007	F.F.C 30			
43	862514008	F.F.C 26			
44	862515009	Cable 6 pin [A-K]			
45	000560209	Ferrite core			
46	856522000	Ferrite core			
47	862519003	Cable 20 pin [LCD-A]			
48	862520007	Cable 6 pin [LCD-A]			
49	000115607	Setscrew TP 4x8			
50	000114710	Setscrew TP 3x6			
51	862103000	Feed balancing dial cover			

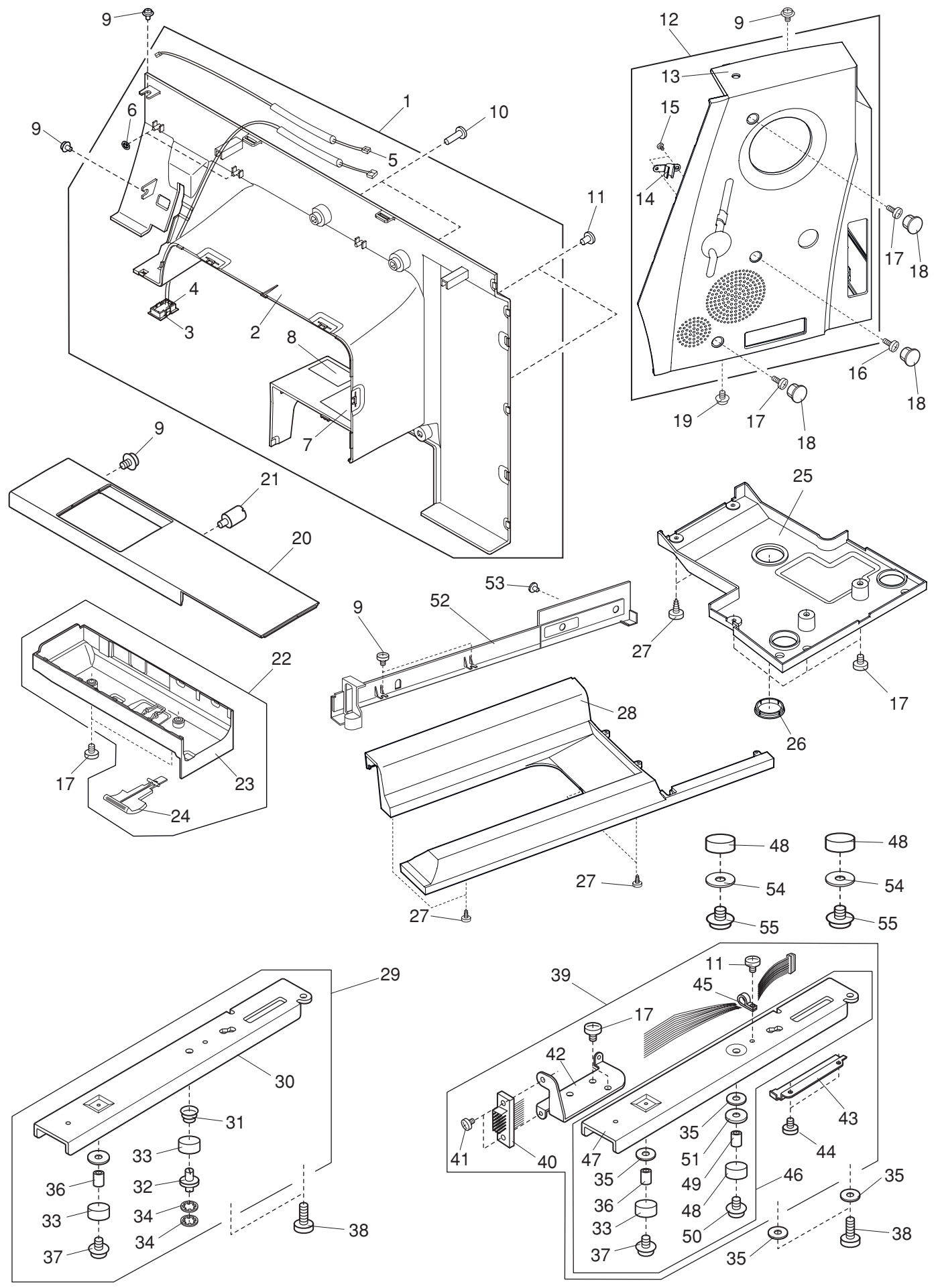
# PARTS LIST



# PARTS LIST

KEY NO.	PARTS NO.	DESCRIPTION	KEY NO.	PARTS NO.	DESCRIPTION
1	862644008	Top cover (all unit)	51	862653000	Carrying handle (unit)
2	862608000	Top cover (unit)	52	862027009	Carrying handle
3	862609001	Top cover (unit)	53	862107004	Carrying handle supporter (rear)
4	862011000	Top cover 1	54	000129903	Washer 4
5	862012104	Top cover 2	55	862534004	Damper (2V9G)
6	862013002	Top cover washer	56	862143002	Damper holder
7	000101116	Setscrew 3x4	57	000005809	Spring pin 1.6 x 12 (K)
8	862111001	Cap	58	000133209	Washer 6
9	862014003	Quick reference chart	59	000002116	Snap ring E-3
10	862610005	Top cover body (unit)	60	862108005	Belt guard
11	862015004	Top cover body	61	000078320	Setscrew 3x6
12	859052003	Spool pin	62	000081005	Setscrew 4x8
13	822017002	Spool pin shaft	63	000053307	Cord binder
14	822018003	Spool pin spring			
15	000107204	Setscrew 3x12 (B)			
16	862507008	Thread guide (unit)			
17	000107307	Setscrew 3x8 (B)			
18	862611006	Thread guide cover (unit)			
19	862535005	Bobbin winder thread guide (unit)			
20	000160102	Adjustable lock nut 4			
21	862018007	Bobbin winder thread guide cover			
22	830505007	Thread cutter (unit)			
23	859054005	Carrying handle supporter			
24	858023002	Top cover hinge (right)			
25	858023105	Top cover hinge (left)			
26	000161206	Setscrew 3x10 (B)			
27	809519101	Damper (unit)			
28	862019008	Damper cap			
29	862613008	Bobbin winder (unit)			
30	862020002	Bobbin winder base plate			
31	862508009	Motor (unit)			
32	000270003	Setscrew 2.6x5			
33	862509000	Bobbin winder shaft (unit)			
34	000110602	Hexagonal socket screw 2x3 WP			
35	862022004	Bobbin winder lever			
36	000002507	Snap ring E-4			
37	862025007	Bobbin winder spring			
38	862615000	Bobbin winder rubber			
39	000120203	Setscrew 3x8 (B)			
40	846177108	Bobbin winder stopper			
41	000062402	Hexagonal socket screw 4-2-7			
42	862127000	Bobbin winder lever arm			
43	000071002	Washer 4			
44	000104119	Setscrew 4x20			
45	862647001	Bobbin thread cutter			
46	000014306	Snap ring CS-3			
47	000080901	Setscrew 4x25			
48	000066705	Setscrew 3x8			
49	000170507	Setscrew 4x12			
50	822020503	Spool holder (large)			

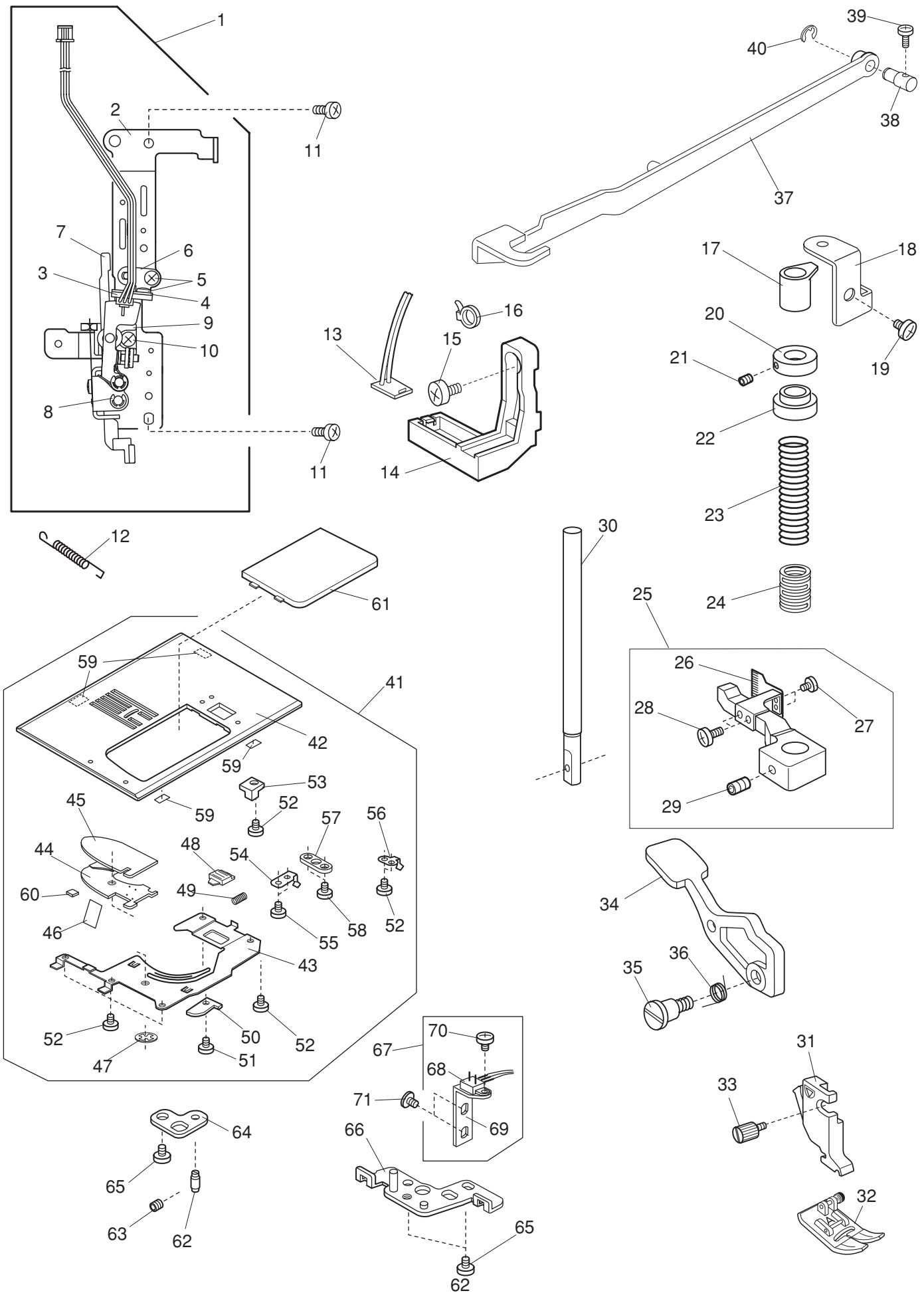
# PARTS LIST



# PARTS LIST

KEY NO.	PARTS NO.	DESCRIPTION
1	859615103	Rear cover (unit)
2	859041102	Rear cover
3	860167006	Lamp cover 2
4	859525600	Printed circuit board L2 (unit)
5	859534107	Cable 2 pin [U1-L3]
6	000014306	Snap ring CS-3
7	859274003	Embroidery unit sticker
8	859263009	Carriage sticker
9	000115205	Setscrew TP 4x6
10	000104119	Setscrew 4x20
11	000101404	Setscrew 4x6
12	862648002	Belt cover (unit)
13	862109109	Belt cover
14	862112002	Clip
15	000120203	Setscrew 3x8 (B)
16	000171302	Setscrew 4x8 (B)
17	000081005	Setscrew 4x8
18	745033002	Cap
19	000114710	Setscrew TP 3x6
20	859613008	Free arm cover (unit)
21	858165100	Pin
22	859614009	Bed cover (unit)
23	859039004	Bed cover
24	859040008	Needle plate release lever
25	862008004	Base plate
26	626045407	Cap
27	000161206	Setscrew 3x10 (B)
28	862007003	Base cover
29	858601011	Arm sole (front cover side) (unit)
30	858002005	Arm sole
31	858162004	Spring
32	820350004	Adjusting screw
33	605074008	Rubber foot
34	000014409	Snap ring CS-8
35	000133106	Washer 6
36	000141107	Bushing 6x3
37	000119106	Setscrew TP 4x10
38	000066808	Setscrew 6x14
39	859645009	Connector (unit)
40	859519003	Connector
41	000080406	Setscrew 3x10
42	859140010	Connector set plate
43	859249009	Cord cover
44	000103808	Setscrew 3x5
45	000188405	Nylon clip
46	858601206	Arm sole (unit)
47	858002201	Arm sole
48	797363005	Rubber foot
49	000206709	Bushing 4x7
50	000115700	Setscrew TP 4x10
51	858149005	Spacer
52	859036104	Cover
53	810220003	Setscrew
54	000070311	Washer 5
55	784169009	Rubber foot setscrew

# PARTS LIST

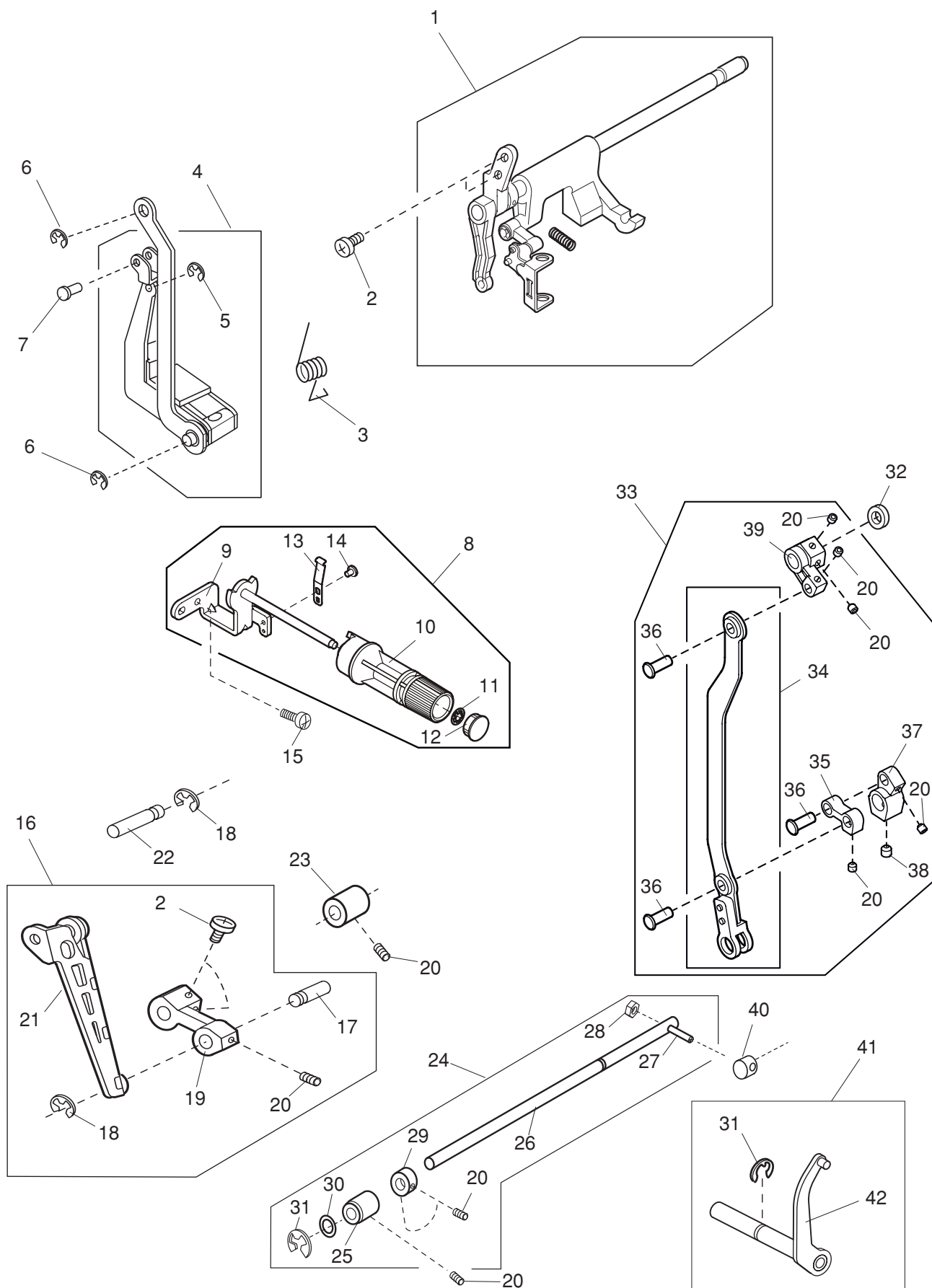


# PARTS LIST

KEY NO.	PARTS NO.	DESCRIPTION	KEY NO.	PARTS NO.	DESCRIPTION
1	862621009	Front bracket (unit)	41	861606005	Needle plate (unit)
2	862045003	Front bracket	42	861013010	Needle plate
3	852502611	Printed circuit board G1 (unit)	43	861014000	Hook cover plate supporter
4	853028002	Insulation sheet	44	809134005	Hook cover plate supporter base
5	000101116	Setscrew 3x4	45	809135006	Guide holder
6	846044002	Sensor base plate	46	809137008	Cutter
7	843625406	Buttonhole lever (unit)	47	000014306	Snap ring CS-3
8	000002116	Snap ring E-3	48	825016000	Hook cover plate release button
9	830057021	Buttonhole lever guide	49	825017001	Spring
10	000103808	Setscrew 3x5	50	809044203	Rotation stopper
11	000081005	Setscrew 4x8	51	000097613	Setscrew 2x4
12	844038018	Needle bar supporter spring	52	820374004	Setscrew 2x2.3
13	859525703	Printed circuit board L2 (unit)	53	859046004	Needle plate sensor block
14	859232021	LED cover	54	859047016	Spring
15	000078319	Setscrew 3x6	55	000169709	Setscrew 2x2.3
16	000053008	Cord binder	56	859245005	Spring 2
17	652104004	Presser bar bushing	57	859271000	Needle plate supporter
18	859075002	Presser bar plate	58	000102807	Setcrew 2x4
19	000103705	Setscrew 4x5	59	859272104	Rubber sticker
20	859076003	Presser foot lifter stopper	60	861152001	Felt
21	000216805	Hexagonal socket screw 3x3	61	809136100	Hook cover plate
22	859077004	Spring supporter	62	859270009	Needle plate positioning pin
23	859078005	Presser bar spring	63	000111201	Hexagonal socket screw 4x4
24	859210001	Spring supporter	64	860003025	Needle plate nut set plate
25	859624002	Presser bar supporter (unit)	65	810220106	Setscrew
26	859081001	Shielding plate	66	859247018	Needle plate adjusting plate
27	000098108	Setscrew 2x3	67	859671004	Needle plate sensor (unit)
28	000128603	Setscrew 3x5	68	859524001	Switch (unit)
29	000111201	Hexagonal socket screw 4x4	69	859246006	Switch set plate
30	859082002	Presser bar	70	755096004	Setscrew
31	859801005	Presser foot holder (unit)	71	000193001	Setscrew TP 4x6
32	859802006	Zigzag foot (unit)			
33	858274000	Thumbscrew			
34	859027009	Presser foot lifter lever			
35	859028000	Setscrew			
36	859029001	Spring			
37	859070007	Automatic presser foot lifter lever			
38	859069003	Presser foot lifter lever shaft			
39	000101703	Setscrew 4x12			
40	000002507	Snap ring E-4			



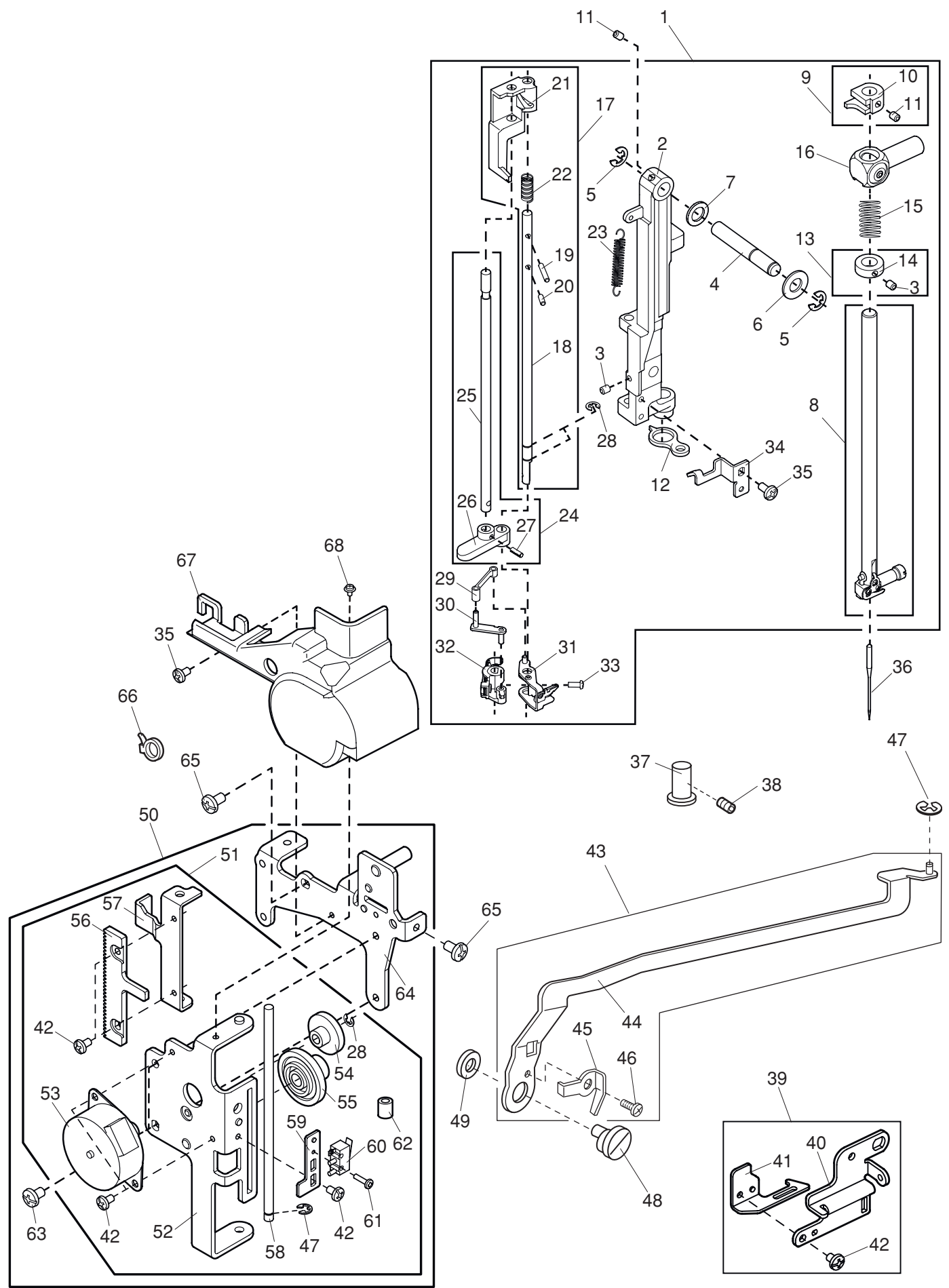
# PARTS LIST



# PARTS LIST

KEY NO.	PARTS NO.	DESCRIPTION
1	859640004	Upper feed upper shaft (unit)
2	000103509	Setscrew 4x10
3	858156005	Upper feed upper shaft spring
4	859627016	Upper feed foot (unit)
5	000002116	Snap ring E-3
6	000002105	Snap ring E-3
7	846327002	Pin (1)
8	862634005	Upper feed adjusting base plate (unit)
9	862085005	Upper feed adjusting base plate
10	862086006	Upper feed adjusting dial
11	000013903	Snap ring CS-5
12	862126009	Cap
13	846353007	Dial leaf
14	000101105	Setscrew 3x4
15	000081005	Setscrew 4x8
16	858623008	Feed connecting link (unit)
17	502258006	Connecting pin
18	000002507	Snap ring E-4
19	846304106	Upper feed lower shaft front arm
20	000111201	Hexagonal socket screw 4x4
21	858068009	Feed connecting link
22	502258109	Connecting pin
23	784071003	Looper shaft bushing
24	858624009	Upper feed lower shaft (unit)
25	846303002	Upper feed lower shaft bushing
26	858069000	Upper feed lower shaft
27	846306005	Upper feed lower shaft rear arm
28	000061102	Nut 4-1-7
29	820166001	Lower shaft ring
30	000038502	Washer ø8x0.5
31	000002806	Snap ring E-6
32	822070003	Felt
33	846580005	Upper feed adjusting arm (unit)
34	846577009	Upper feed connecting link (unit)
35	846349000	Upper feed adjusting link
36	820144003	Pin
37	846350004	Upper feed adjusting arm (1)
38	000111304	Hexagonal socket screw 5x5
39	846308007	Upper feed upper shaft rear arm
40	846348009	Rear arm feed lifting roller
41	858644005	Upper feed adjusting arm 2 (unit)
42	858070004	Upper feed adjusting arm 2

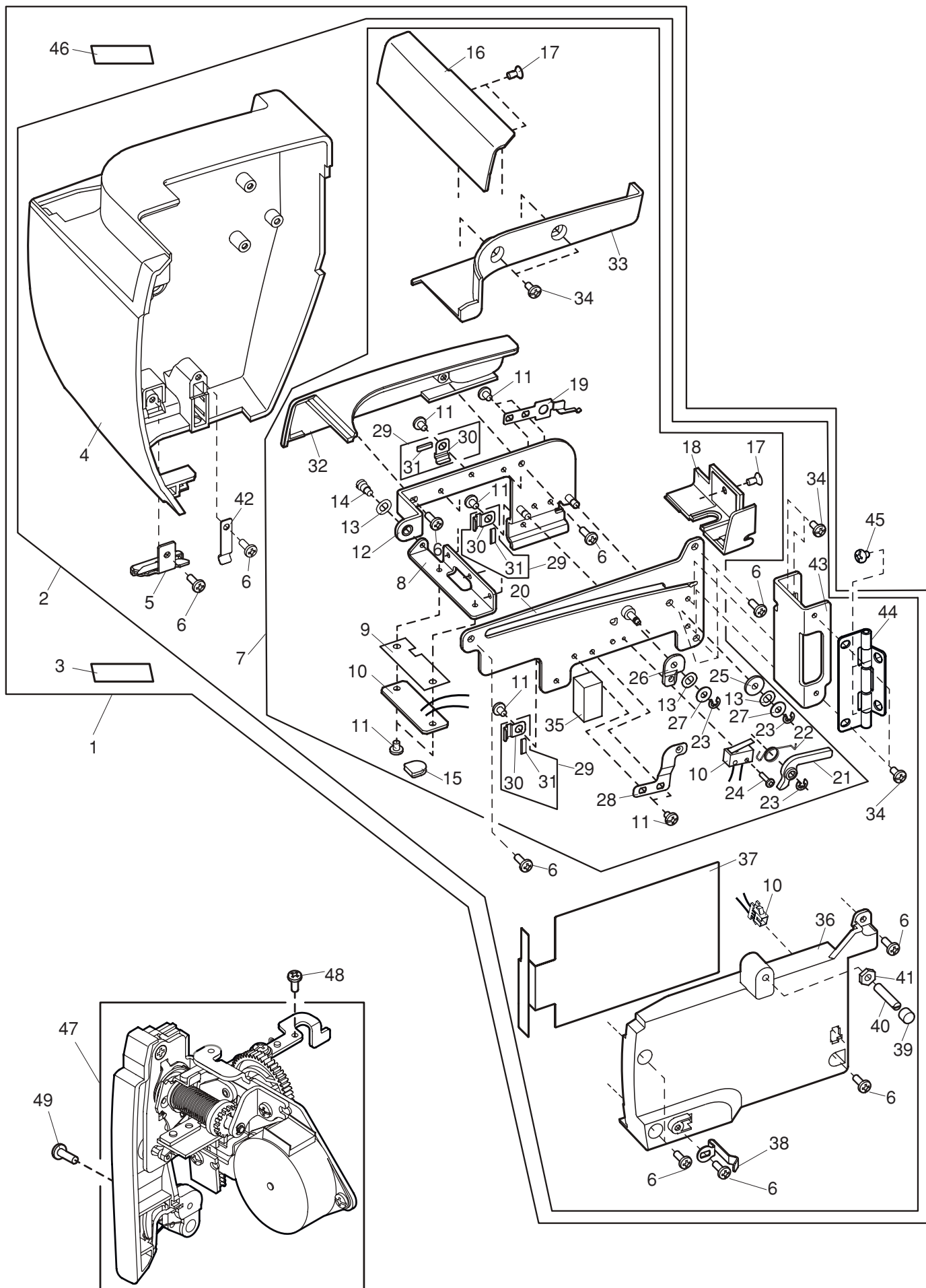
# PARTS LIST



# PARTS LIST

KEY NO.	PARTS NO.	DESCRIPTION	KEY NO.	PARTS NO.	DESCRIPTION
1	862623001	Needle bar supporter (unit)	39	862651008	Arm thread guide (unit)
2	858250000	Needle bar supporter	40	862081001	Arm thread guide
3	000111902	Hexagonal socket screw 3x4	41	862133009	Thread guide plate
4	735144006	Needle bar supporter pin	42	000101116	Setscrew 3x4
5	000002507	Snap ring E-4	43	858677007	Zigzag width rod (unit)
6	000070609	Washer 6	44	858277003	Zigzag width rod
7	673022002	Washer	45	827088009	Zigzag width rod spring
8	858538005	Needle bar (unit)	46	820373003	Setscrew
9	858540000	Rotation pin stopper (unit)	47	000002105	Snap ring E-3
10	858254004	Rotation pin stopper	48	678084100	Eccentric pin
11	000111201	Hexagonal socket screw 4x4	49	000072014	Washer 5
12	829027006	Supporter guide plate	50	862652009	Threader plate (all unit)
13	858541001	Threader guide ring (unit)	51	862622000	Threader plate (unit)
14	858276002	Threader guide ring	52	862046004	Threader plate
15	858172007	Needle bar supporter spring	53	808509301	Motor (unit)
16	846515009	Needle bar supporter (unit)	54	862047005	Gear
17	862624002	Threader shaft (unit)	55	862048006	Pinion
18	858255016	Threader shaft	56	862049007	Rack
19	000265500	Knock pin 2x12-CH	57	862050001	Threader guide plate
20	000265603	Knock pin 2x6-CH	58	862051002	Threader shaft
21	862055006	Threader arm	59	862052003	Switch set plate
22	858257007	Needle threader spring	60	850507311	Switch (unit)
23	862056007	Needle threader return spring	61	000102900	Setscrew 2x8
24	862625003	Threader supporter shaft (unit)	62	000560106	Ferrite core
25	858259009	Threader supporter shaft	63	000101404	Setscrew 4x6
26	858260003	Threader guide	64	862042000	Carrying handle supporter (front)
27	000022204	Knock pin 2x6	65	000081005	Setscrew 4x8
28	000001207	Snap ring E-2.5	66	000053008	Cord binder
29	858265008	Link plate 1	67	862053004	Motor cover
30	858266009	Link plate 2	68	000114710	Setscrew TP 3x6
31	862626004	Threader guard plate (unit)			
32	862627005	Hook holder (unit)			
33	000230403	Setscrew 2x5			
34	862064008	Spring supporter			
35	000078320	Setscrew 3x6			
36	647814031	Needle HA1-14			
37	827083004	Supporter guide pin			
38	000216805	Hexagonal socket screw 3x3			

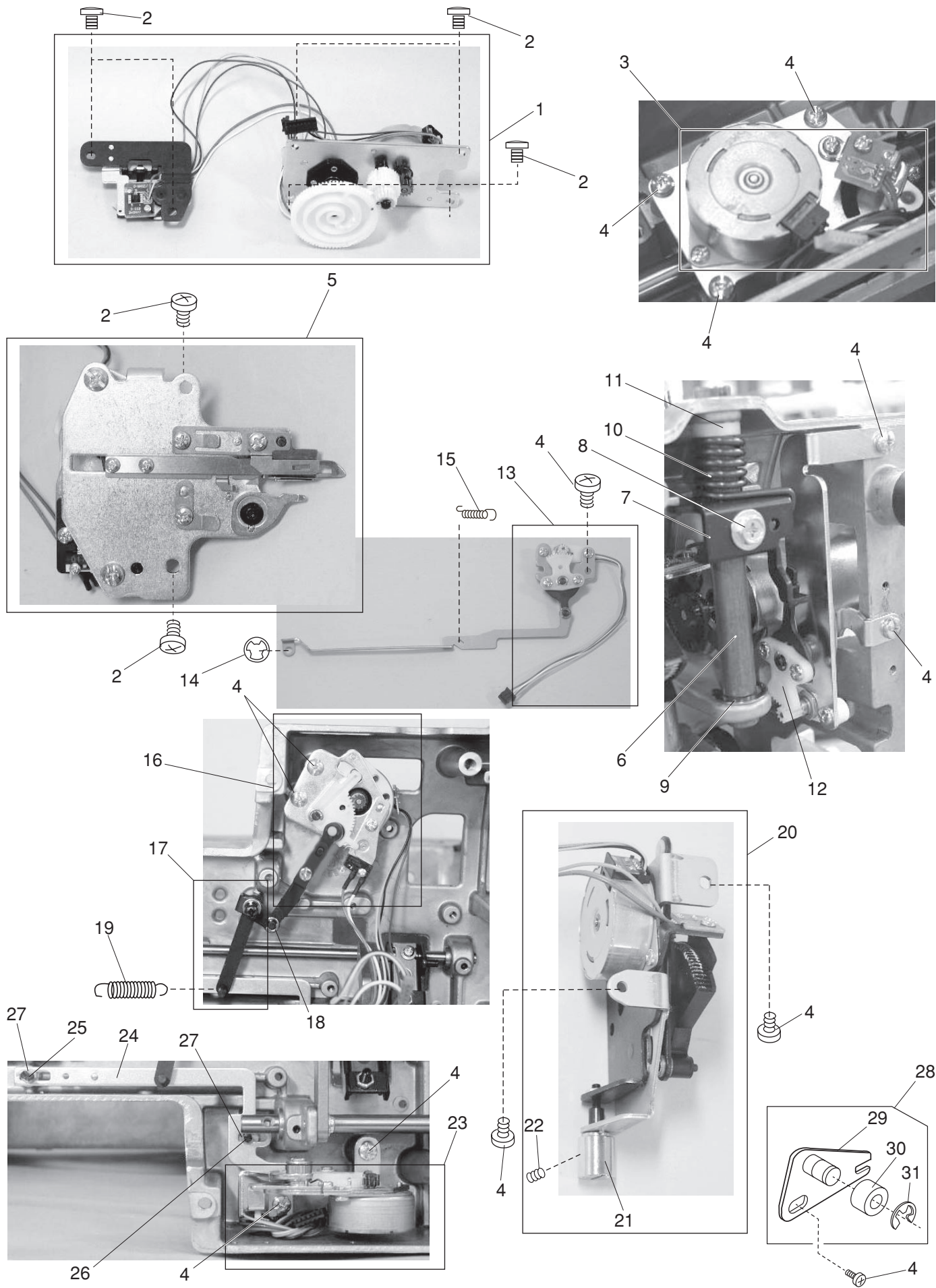
# PARTS LIST



# PARTS LIST

KEY NO.	PARTS NO.	DESCRIPTION
1	862645009	Face plate (unit) (U.S.A.)
	862645102	Face plate (unit) (Canada)
	862645205	Face plate (unit) (Australia) (UK) (Continental Europe)
2	862616001	Face plate (unit)
3	830312016	Caution sticker (U.S.A.)
	100083000	Caution sticker (Canada)
4	862028103	Face plate
5	832508006	Thread cutter (unit)
6	000120203	Setscrew 3x8 (B)
7	862617002	Face cover lamp (unit)
8	862029001	Board L3 set plate
9	862142001	Insulation sheet (for P.C.B L3)
10	859505109	Printed circuit board L3 (unit) (with microswitch and connector)
11	000101116	Setscrew 3x4
12	862030005	Lamp arm
13	000116103	Washer 4
14	859062006	Setscrew
15	859060004	Lamp cover
16	862031109	Face plate 2
17	000102508	Setscrew 3x6
18	862032007	Face plate 3
19	862033008	Index spring
20	862034009	Face cover lamp guide plate
21	859225009	Lever
22	862035000	Lever spring
23	000001207	Snap ring E-2.5
24	000102900	Setscrew 2x8
25	303071000	Ring
26	862131007	Ring guide
27	000070126	Washer 3
28	862130006	Click spring
29	862618003	Cord guide (unit)
30	862036001	Cord guide
31	850225002	PVC tube
32	862037002	Face plate 4
33	862038003	Face plate 5
34	000078319	Setscrew 3x6
35	862140009	Gasket
36	862039004	Face plate 6
37	862139005	Face plate shielding sheet
38	850013005	Face plate spring
39	685042005	Supporter stopper
40	000082800	Setscrew
41	000160102	Adjustable lock nut 4
42	859233000	Magnifier fixing plate
43	862041009	Hinge set plate
44	851503103	Hinge (unit)
45	000081119	Setscrew 4x6
46	100517008	Caution sticker (Canada)
47	862632003	Thread tension (unit)
48	000081005	Setscrew 4x8
49	000101703	Setscrew 4x12

# PARTS LIST

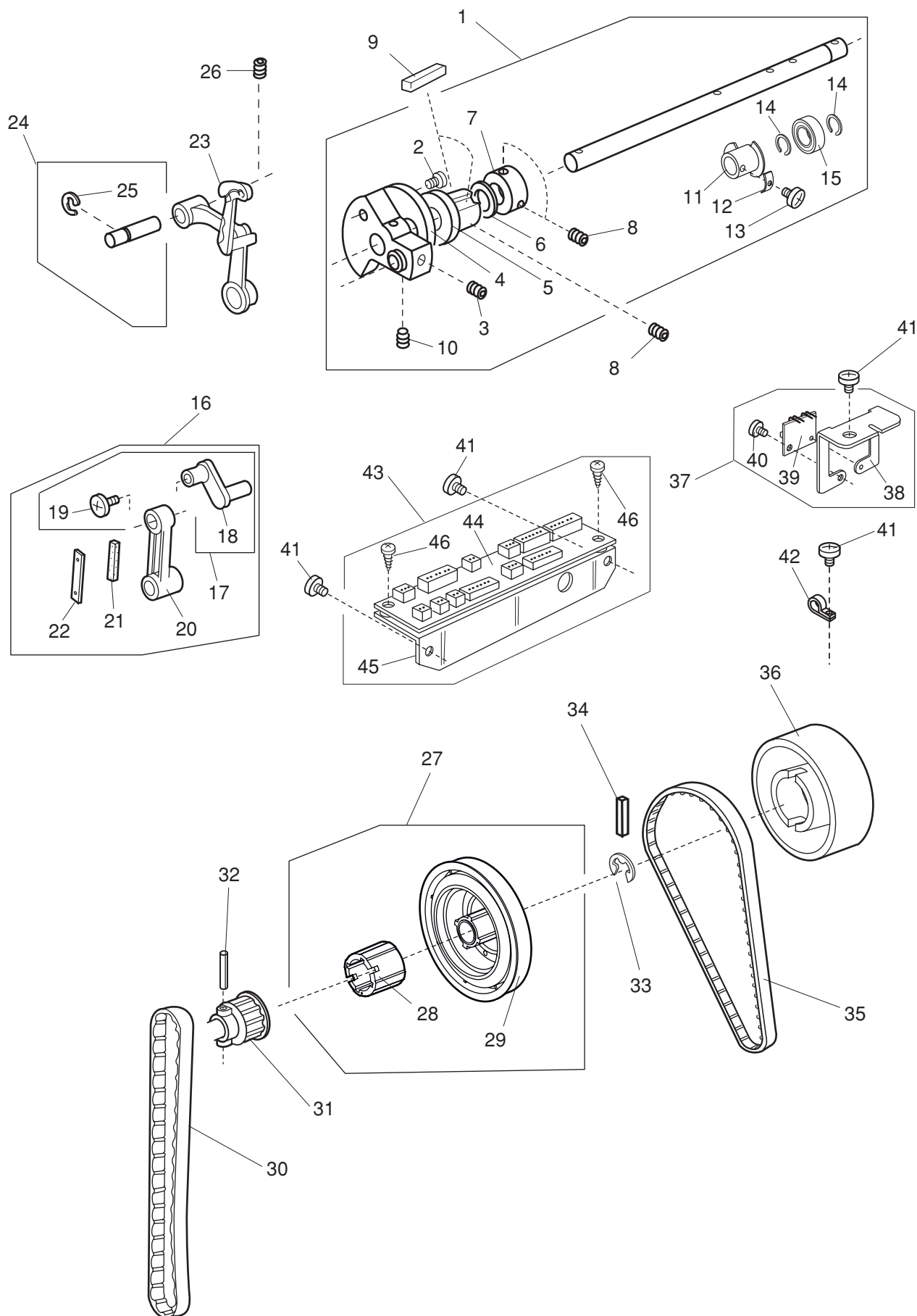


## PARTS LIST

KEY NO.	PARTS NO.	DESCRIPTION
1	859623001	Presser foot lifter motor (unit)
2	000101404	Setscrew 4x6
3	859608103	Zigzag width motor (unit)
4	000081005	Setscrew 4x8
5	859641005	Automatic thread cutter (unit)
6	858088108	Knee lifter shaft
7	859021014	Knee lifter stopper
8	000138503	Hexagonal socket screw 5x12
9	000002208	Snap ring E-9
10	859022004	Knee lifter stopper spring
11	846297002	Stopper
12	859609001	Knee lifter sensor (unit)
13	859606008	Sensor set plate (unit)
14	000013707	Snap ring CS-2.4
15	859011000	Spring
16	859604028	Bobbin thread sensor motor (unit)
17	859605007	Arm (unit)
18	000002105	Snap ring E-3
19	859261007	Spring
20	859664004	Feed motor (unit)
21	859215006	Feed balancing dial
22	000110200	Hexagonal socket screw WP 4x4
23	859607009	Drop feed motor (unit)
24	859012001	Feed dog driving plate
25	859260006	Pin
26	858169001	Pin
27	000001207	Snap ring E-2.5
28	860608004	Idler (unit)
29	860021007	Idler base
30	625217100	Idler
31	000002806	Snap ring E-6



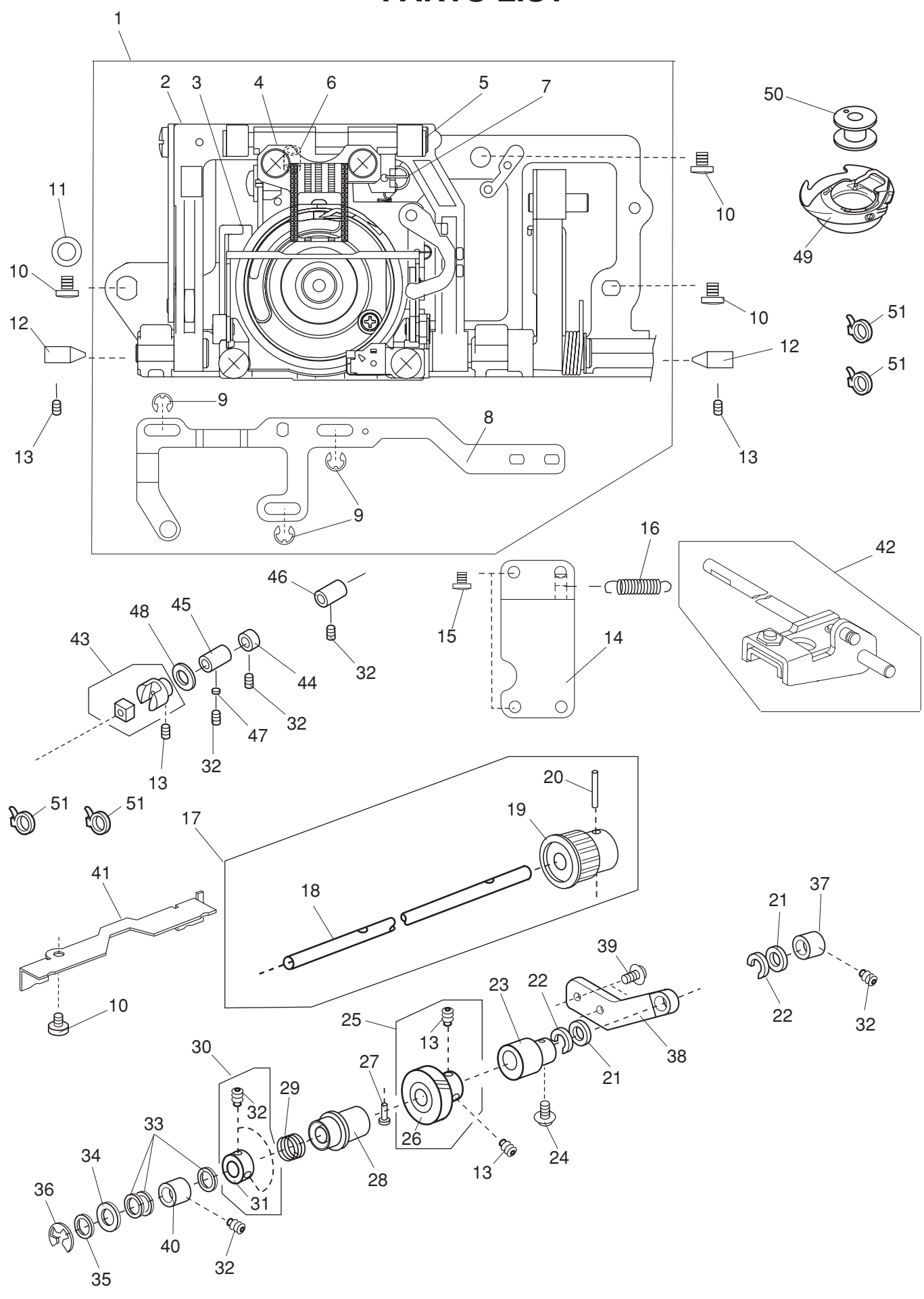
# PARTS LIST



# PARTS LIST

KEY NO.	PARTS NO.	DESCRIPTION
1	862603005	Upper shaft (unit)
2	000078319	Setscrew 3x6
3	000110901	Hexagonal socket screw 5x4
4	859214005	Upper feed lifting cam
5	670079201	Upper shaft front bushing
6	000040105	Washer $\varnothing$ 12x0.5
7	767077006	Ring
8	000111304	Hexagonal socket screw 5x5
9	731312005	Felt
10	000111706	Hexagonal socket screw 5x8
11	862002008	Upper shaft shield plate
12	859033008	Washer
13	000080406	Setscrew 3x10
14	000032702	Snap ring crescent
15	767178008	Ball bearing
16	846615103	Needle bar crank (unit)
17	843543007	Needle bar crank pin (unit)
18	652143005	Needle bar crank pin
19	647139002	Needle bar crank pin knob
20	650039001	Needle bar crank rod
21	650040005	Felt
22	650041006	Spring
23	820511108	Thread take-up lever (unit)
24	650626001	Thread take-up lever pin (unit)
25	000002806	Snap ring E-6
26	000111201	Hexagonal socket screw 4x4
27	862604006	Belt wheel (unit)
28	862003009	Belt wheel holder
29	858054002	Belt wheel
30	846098001	Timing belt
31	858052000	Upper shaft gear
32	000004303	Pin 3x20
33	000030009	Snap ring E-10
34	000024206	Pin 3x30
35	858118005	Timing belt
36	862122005	Handwheel
37	859646103	Upper shaft sensor (unit)
38	859056007	Sensor set plate
39	843505029	Printed circuit board P (unit)
40	000101105	Setscrew 3x4
41	000081005	Setscrew 4x8
42	000188807	Nylon clip
43	862606008	Printed circuit board U1 (unit)
44	862503004	Printed circuit board U1
45	859032029	U1 base plate
46	000120203	Setscrew 3x8

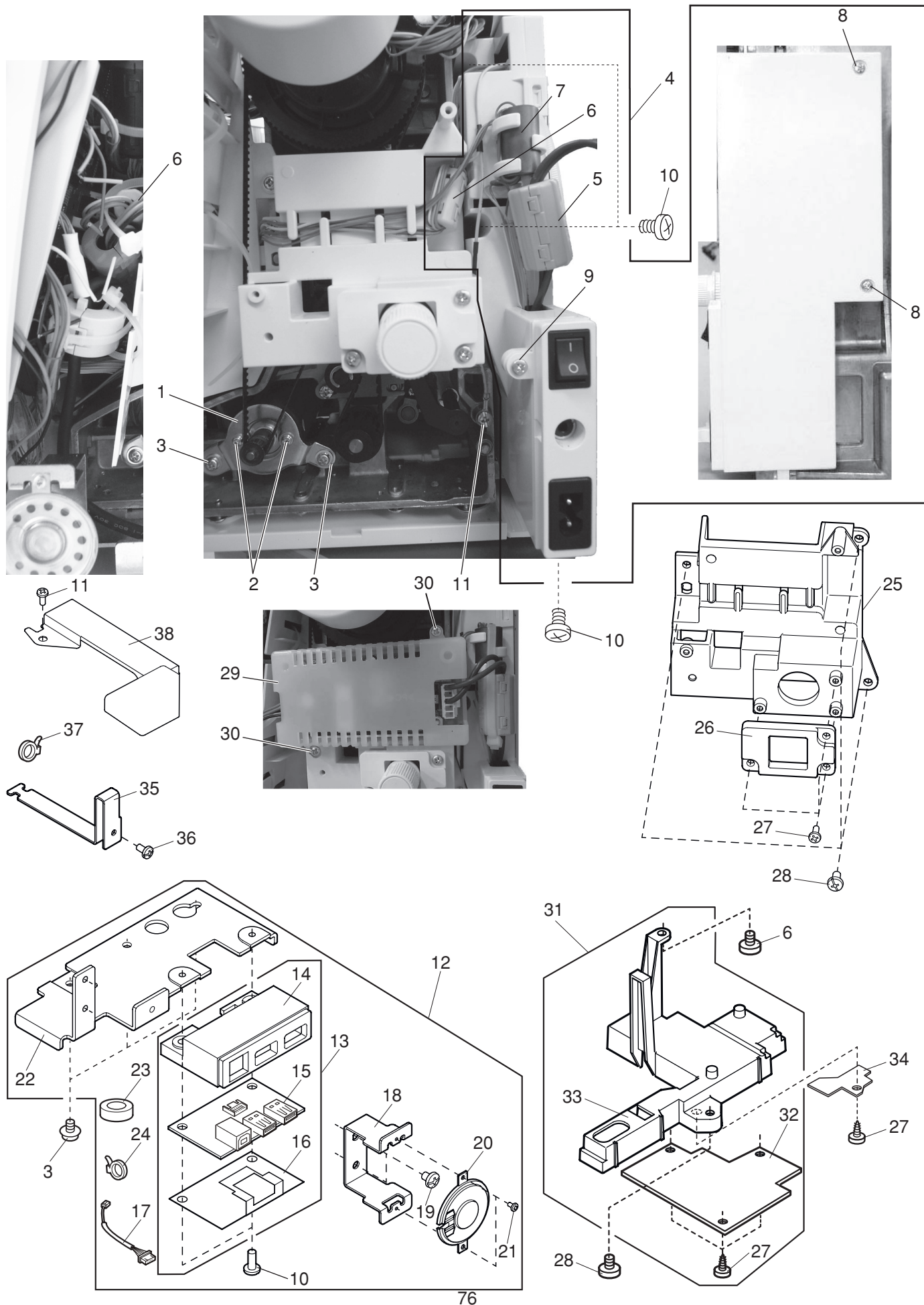
# PARTS LIST



# PARTS LIST

KEY NO.	PARTS NO.	DESCRIPTION
1	859637019	Feed rock shaft (whole unit)
2	858621006	Feed rock shaft (unit)
3	859638009	Hook race (unit)
4	859639000	Feed dog set base (unit)
5	825099007	Feed dog base shaft
6	000111407	Hexagonal socket screw 4x6
7	825103005	Feed base spring
8	859114004	Drop plate
9	000002105	Snap ring E-3
10	000081005	Setscrew 4x8
11	000070540	Washer 4
12	738055008	Straight pin
13	000111304	Hexagonal socket screw 5x5
14	859115005	Drop connecting plate
15	000101105	Setscrew 3x4
16	859013002	Spring
17	858618000	Lower shaft (unit)
18	858056004	Lower shaft
19	650073007	Lower gear
20	000004200	Pin 3x18
21	822070003	Felt
22	822112008	Felt holder
23	846379009	Feed cam
24	000149600	Setscrew 3x14
25	850687006	Lower shaft gear (unit)
26	650076000	Lower shaft gear
27	820161006	Feed lifting pin
28	846103000	Feed lifting cam
29	825093001	Feed lifting cam spring
30	820672005	Lower shaft ring (unit)
31	820166001	Lower shaft ring
32	000111201	Hexagonal socket screw 4x4
33	000038502	Washer $\varnothing$ 8x0.5
34	735143005	Felt
35	000071507	Washer 8
36	000002806	Snap ring E-6
37	650079003	Lower shaft bushing (rear)
38	858058006	Lower shaft supporter
39	000115700	Setscrew TP 4x10
40	858060001	Lower shaft bushing (front)
41	858158007	Cord Guide 1
42	858626001	Feed shaft (unit)
43	625508008	Feed regulator (unit)
44	820387000	Ring
45	625144002	Feed shaft bushing (front)
46	650092002	Feed shaft bushing (rear)
47	650175000	Cushion
48	823110009	Felt
49	846652102	Bobbin holder (unit)
50	102261103	Bobbin
51	000053008	Cord binder

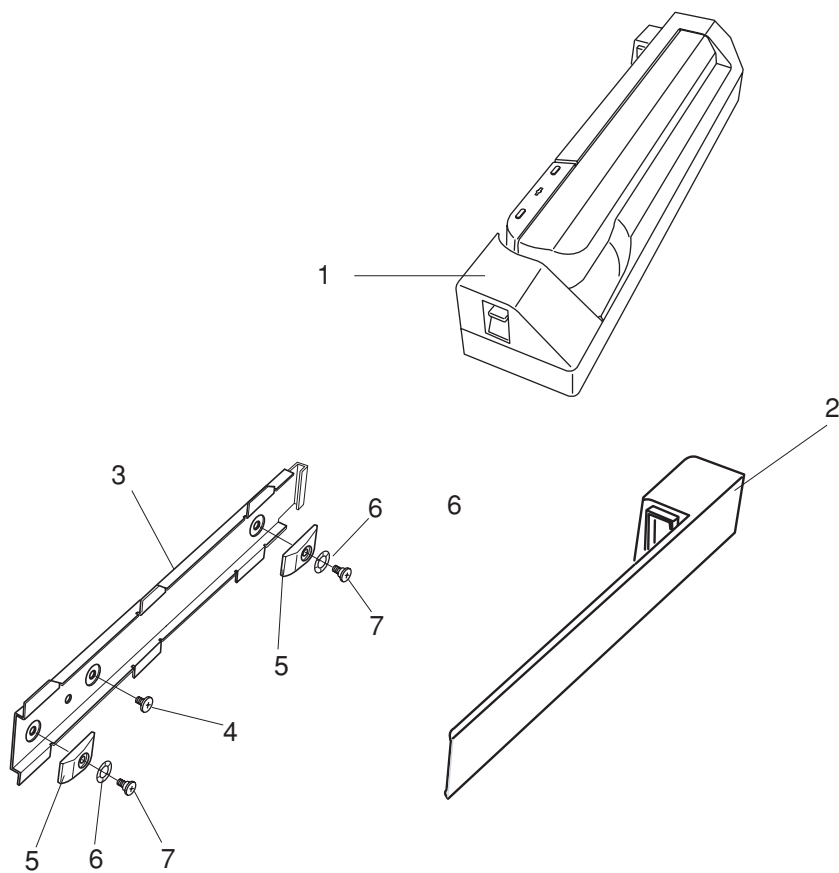
# PARTS LIST



# PARTS LIST

KEY NO.	PARTS NO.	DESCRIPTION
1	859612000	DC motor (unit)
2	000115009	Set screw TP 3x8
3	000115607	Set screw TP 4x8
4	862605007	Switching power supply (unit)
5	000559700	Ferrite core E1630MRF
6	000560106	Ferrite core GRFC-4
7	808108007	Ferrite core
8	000119704	Setscrew 3x14
9	000161206	Setscrew 3x10
10	000103509	Setscrew 4x10
11	000101404	Setscrew 4x6
12	862607009	Printed circuit board B case (unit)
13	859644008	Printed circuit board B case (unit)
14	859147017	Printed circuit board B case
15	859518002	Printed circuit board B (unit)
16	859244015	Insulation sheet B
17	862533003	Relay cable 12 pin
18	862118008	Speaker set plate
19	000103705	Setscrew 4x5
20	862504005	Speaker (unit)
21	000163703	Setscrew 2x3.5
22	862006002	Printed circuit board B set plate
23	000595100	Ferrite core
24	000053307	Cord binder
25	862104001	Auxiliary power supply cover
26	862134000	Upper feed adjusting dial positioning plate
27	000120203	Setscrew 3x8 (B)
28	000081005	Setscrew 4x8
29	862650007	Auxiliary power supply case (unit)
30	000161206	Setscrew 3x10 (B)
31	859643007	Printed circuit board U2 (unit)
32	859517001	Printed circuit board U2 (unit)
33	859135012	Cord guide
34	859250003	Cord cover plate
35	859251004	Cord guide 3
36	000066705	Setscrew 3x8
37	000053008	Cord binder
38	862136002	Shield guide plate

# PARTS LIST



# PARTS LIST

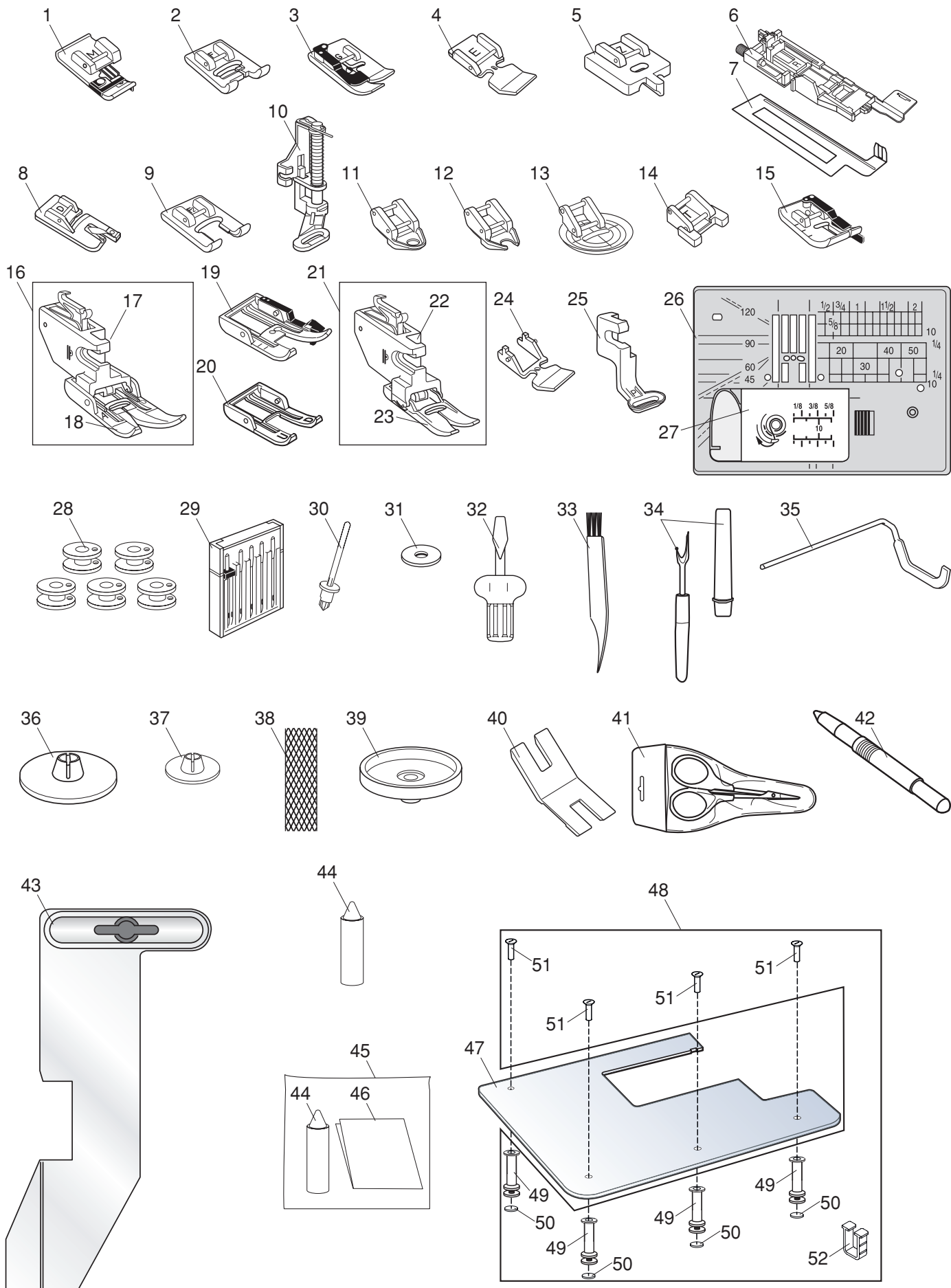
---

KEY NO.	PARTS NO.	DESCRIPTION
1	859651019	Embroidery unit
2	859148100	Cover
3	859138004	Rail
4	810220003	Setscrew
5	859139005	Cushion
6	000116000	Washer 7
7	859273002	Setscrew

---



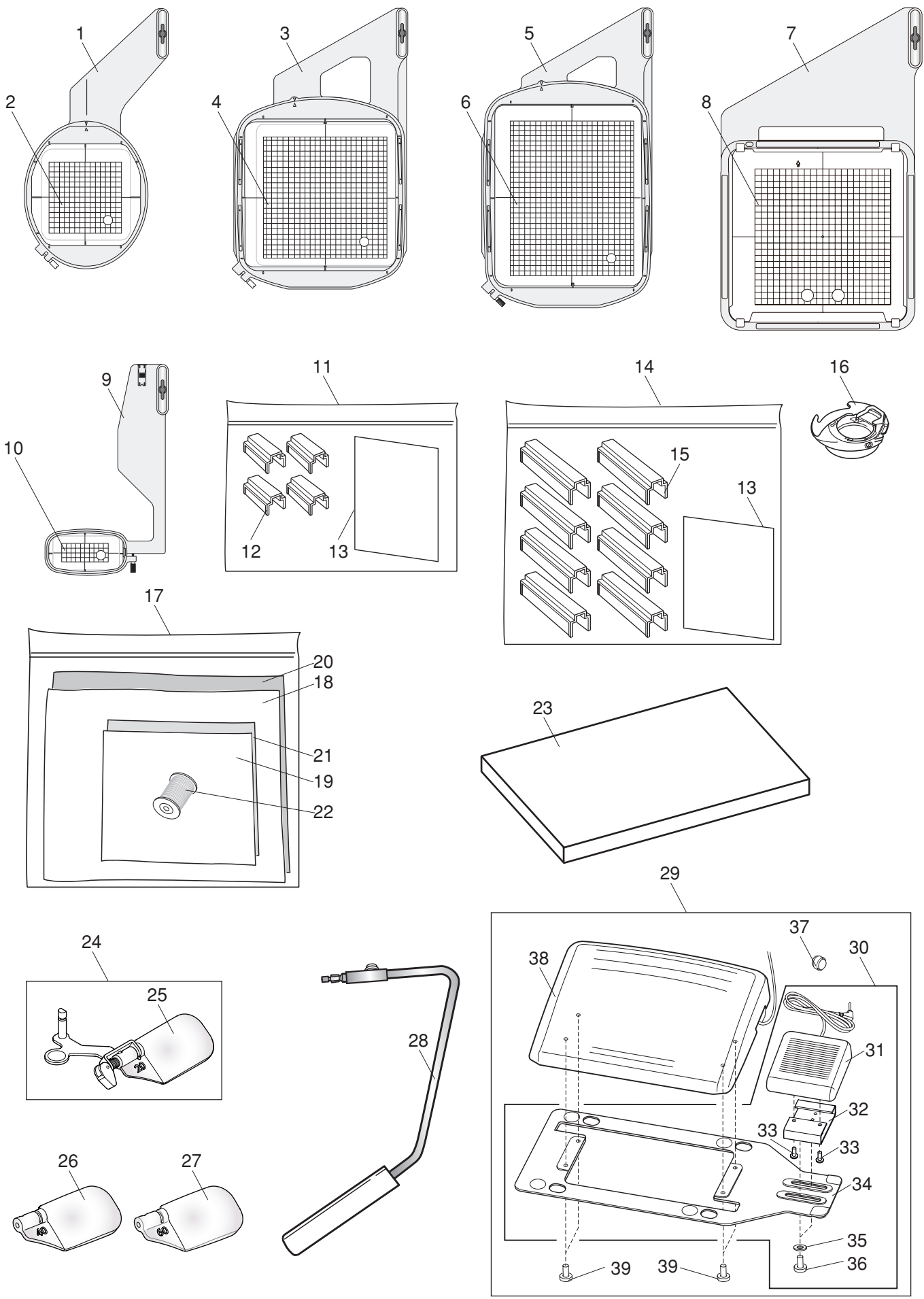
# PARTS LIST



# PARTS LIST

KEY NO.	PARTS NO.	DESCRIPTION
1	859810007	Overedge foot M
2	859806011	Satin stitch foot F
3	859807001	Blind hemming foot G
4	859805009	Zipper foot E
5	859815002	Concealed zipper foot Z
6	862822002	Automatic buttonhole foot R
7	859832016	Stabilizer plate
8	859804008	Rolled hem foot D
9	859813000	Open toe satin stitch foot F2
10	859839002	Darning foot PD-H
11	859836009	Free motion quilting closed-toe foot QC
12	859837000	Free motion quilting open-toe foot QO
13	859812009	Free motion quilting zigzag foot QV
14	859811008	Button sewing foot T
15	859814001	1/4" seam foot O
16	859819017	Dual feed (twin) (unit)
17	859817015	Dual feed holder (twin)
18	859819109	Dual feed foot AD (twin)
19	859829009	Dual feed quilt piecing foot OD (twin)
20	202150019	AcuFeed open toe foot UD (twin)
21	859835019	Dual feed (single) (unit)
22	859833017	Dual feed holder (single)
23	859835101	Dual feed foot VD (single)
24	859838001	Dual feed zipper foot ED (single)
25	859816014	Embroidery foot P
26	862817004	Straight stitch needle plate
27	809136100	Hook cover plate
28	102261103	Bobbin
29	859856005	Needle set
30	625031706	Additional spool pin
31	102403109	Felt
32	820832005	Screwdriver (large)
33	802424004	Lint brush
34	560406104	Seam ripper (buttonhole opener)
35	755802001	Quilting guide bar
36	822020503	Spool holder (large)
37	822019509	Spool holder (small)
38	624806006	Net
39	829803004	Spool stand
40	832820007	Button shank plate
41	803813203	Scissors
42	860194002	Touch panel stylus
43	859825016	Cloth guide
44	859858007	Bobbin holder cleaner
45	859858203	Bobbin holder cleaner (unit) (Canada)
46	859858306	Instructional card (Canada)
47	859826110	Extra wide table
48	859867009	Extra wide table accessory
49	489601004	Extra wide table leg (unit)
50	491002006	Rubber sole
51	000165509	Setscrew 5x18
52	859827007	Table support

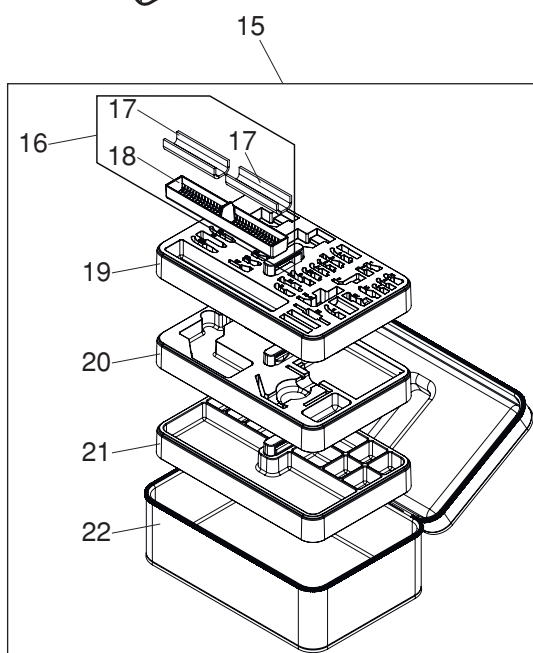
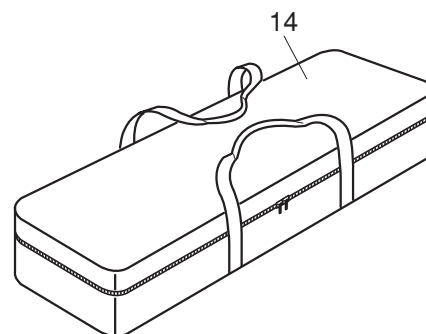
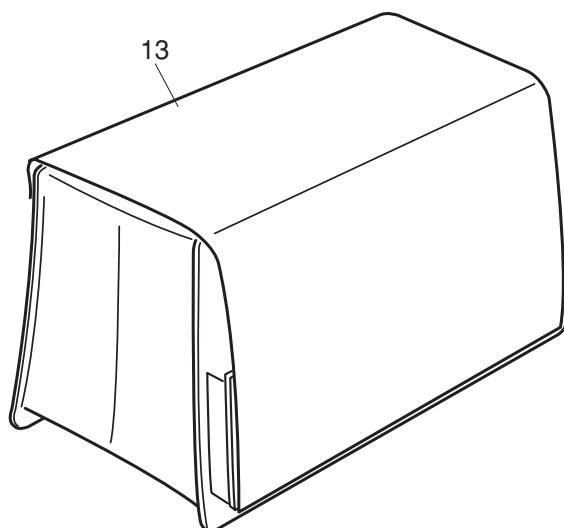
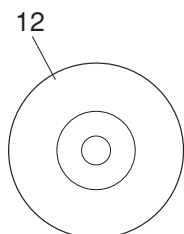
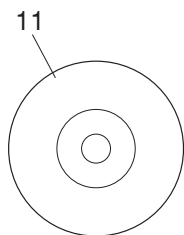
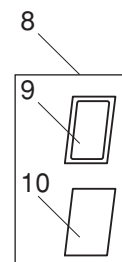
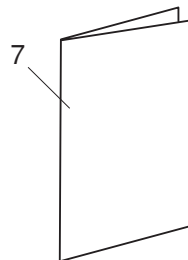
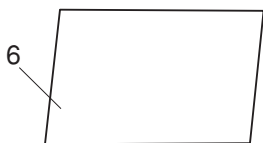
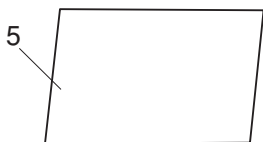
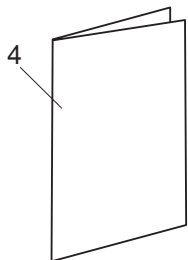
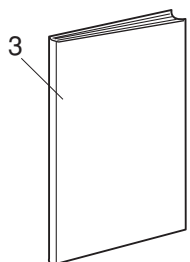
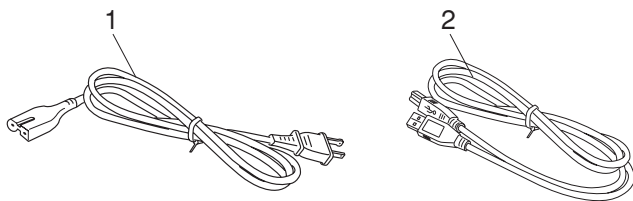
# PARTS LIST



## PARTS LIST

KEY NO.	PARTS NO.	DESCRIPTION
1	859823014	Embroidery hoop SQ14
2	859823302	Template SQ14
3	859822013	Embroidery hoop SQ23
4	859822301	Template SQ23
5	859820022	Embroidery hoop GR
6	859820701	Template GR
7	859428107	Embroidery hoop ASQ22
8	859428417	Template ASQ22
9	859824015	Embroidery hoop FA10
10	859824303	Template FA10
11	859821300	Magnetic clamps (for SQ23 and GR)(unit)
12	859821001	Magnetic clamps (for SQ23 and GR)
13	860887009	Caution card
14	860440109	Magnetic clamps (for ASQ22)(unit)
15	860434007	Magnetic clamps (for ASQ22)
16	846652700	Bobbin holder for embroidery
17	862815002	Starter kit (unit)
18	850826205	Felt (450x500)
19	850826009	Felt (320x320)
20	850826308	Stabilizers (450x500)
21	850826102	Stabilizers (320x320)
22	200921792	Bobbin thread for embroidery
23	859863005	Carton box for embroiery hoops
24	858415005	Optic magnifier (20) (unit)
25	859401126	Optic magnifier (20)
26	858415500	Optic magnifier (40)
27	858415603	Optic magnifier (60)
28	846417022	Knee lifter
29	862821001	Foot control (with thread cutter switch)
30	767849029	Base (unit)
31	213815101	Thread cutter switch
32	767849203	Thread cutter switch stand
33	000198305	Setscrew 4x10
34	767849100	Base
35	000072508	Washer
36	810220003	Setscrew
37	767849306	Cable Tie (VELCRO)
38	043770104	Foot control (unit)
39	000081005	Setscrew 4x8

# PARTS LIST



# PARTS LIST

KEY NO.	PARTS NO.	DESCRIPTION
1	856519004	Power cable (U.S.A.) (Canada)
	830314018	Power cable (Australia) (New Zealand)
	830377008	Power cable (UK)
	830335004	Power cable (Continental Europe)
2	850403006	USB cable
3	862801005	Instruction book (English)
	862801201	Instruction book (French)
	862801304	Instruction book (German)
	862801407	Instruction book (Dutch)
	862801809	Instruction book (Norwegian)
	862801706	Instruction book (Swedish)
	862801902	Instruction book (Danish)
	862801500	Instruction book (Italian)
4	862806000	Optional accessories catalog
5	862808002	Quick reference chart (Common) (English)
	862808208	Quick reference chart (Common) (French)
	862808301	Quick reference chart (Common) (German)
	862808404	Quick reference chart (Common) (Dutch)
	862808806	Quick reference chart (Common) (Norwegian)
	862808703	Quick reference chart (Common) (Swedish)
	862808909	Quick reference chart (Common) (Danish)
	862808507	Quick reference chart (Common) (Italian)
6	862809003	Quick reference chart (Embroidery mode) (English)
	862809209	Quick reference chart (Embroidery mode) (French)
	862809302	Quick reference chart (Embroidery mode) (German)
	862809405	Quick reference chart (Embroidery mode) (Dutch)
	862809807	Quick reference chart (Embroidery mode) (Norwegian)
	862809704	Quick reference chart (Embroidery mode) (Swedish)
	862809900	Quick reference chart (Embroidery mode) (Danish)
	862809508	Quick reference chart (Embroidery mode) (Italian)
7	862810007	Instructional card
8	859869001	Protection sheet (unit)
9	859869104	Protection sheet
10	859869207	Protection sheet card
11	862811008	Instructional DVD
12	862819017	Horizon Link Suite CD-ROM
13	859848004	Semi-hard fabric cover
14	859849005	Embroidery unit case
15	862823003	Accessory case (unit)
16	862823508	Bobbin holder (unit)
17	862823704	Bobbin holder cushion
18	862823601	Bobinn holder
19	862823209	Accessory tray 1
20	862823302	Accessory tray 2
21	862823405	Accessory tray 3
22	862823106	Accessory case