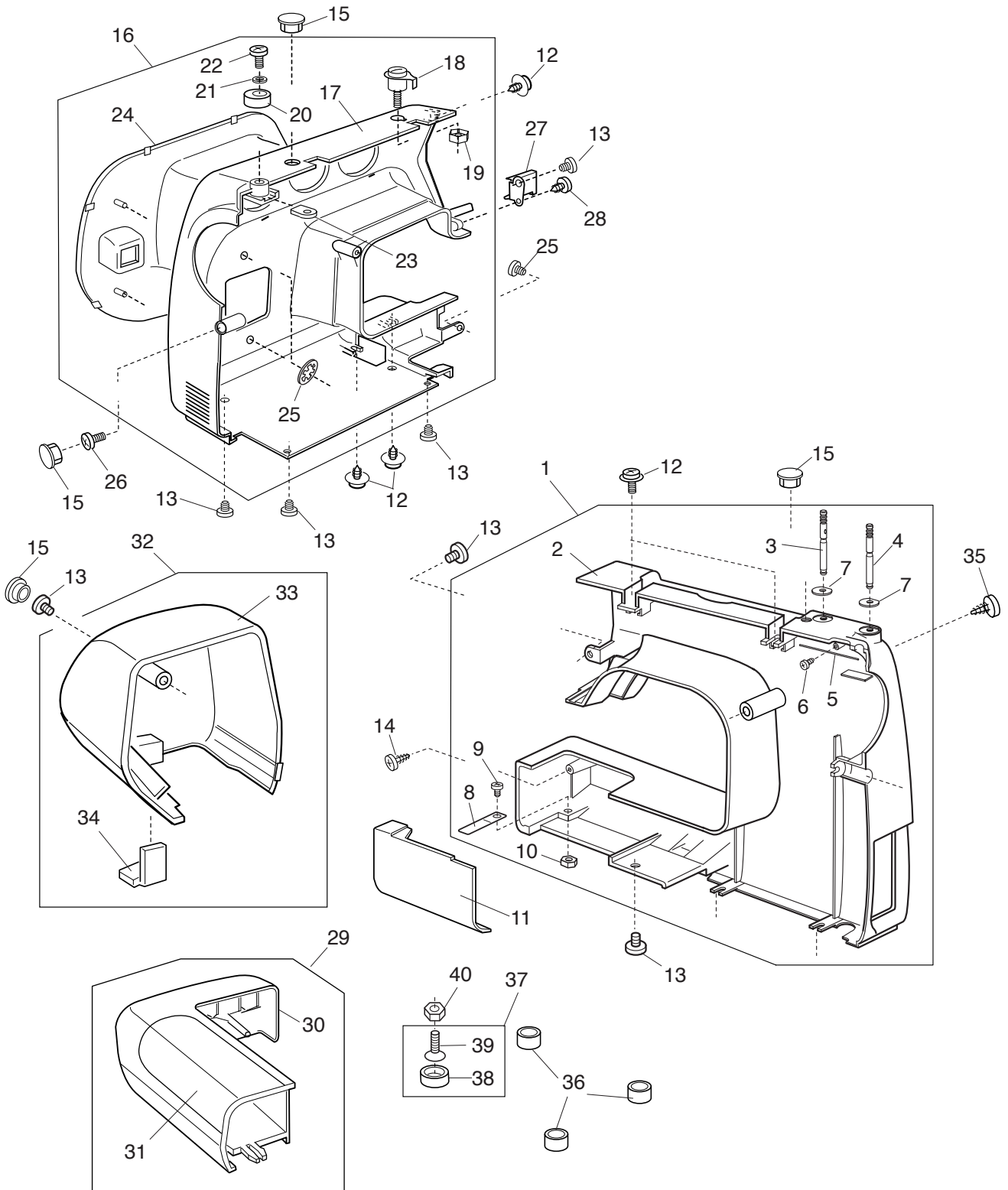


# PARTS LIST

Model 2041NX

for U. K.

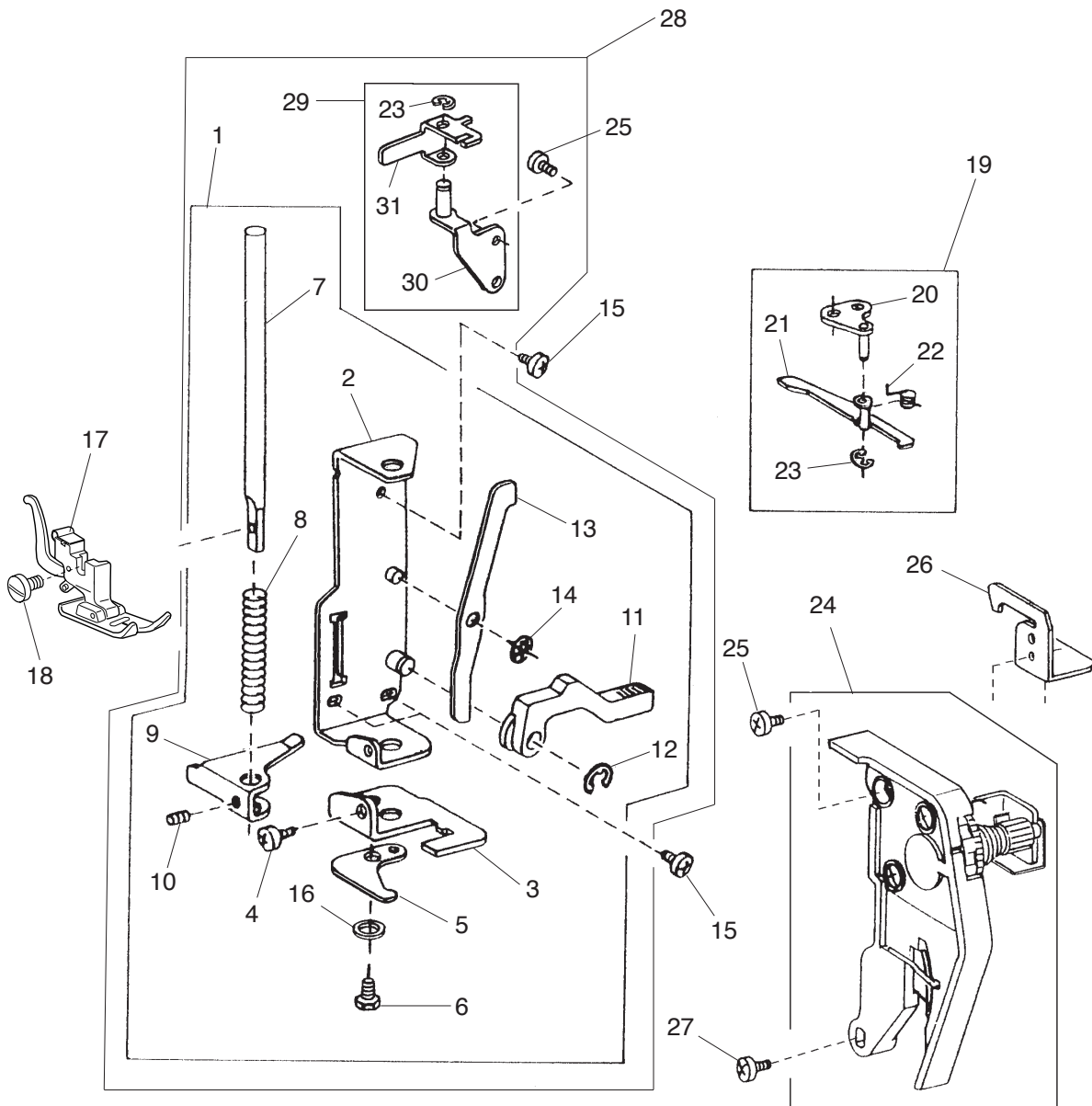
# PARTS LIST



## PARTS LIST

KEY NO.	PARTS NO.	DESCRIPTION
1	302601105	Rear cover (unit)
2	302001006	Rear cover
3	652302004	Spool pin
4	652205006	Spool pin
5	736007009	Spool pin spring
6	000076317	Tapping screw 3x10
7	735013005	Spool pin spring base
8	730006000	Spring
9	000101404	Setscrew 4x6
10	000061205	Nut
11	739004005	Bed cover plate
12	000115205	TP screw 4x6
13	000081005	Setscrew 4x8
14	000121905	Tapping screw 4x12b
15	653006101	Cap
16	302606502	Front cover (unit)
17	302010042	Front cover
18	730501011	Thread guide plate (unit)
19	000160102	Adjustable lock nut 4
20	735016307	Bobbin winder stopper
21	000071013	Washer
22	000103107	Setscrew 4x14
23	843014004	Nut
24	302011504	Panel
25	000115607	TP screw 4x8
26	000101703	Setscrew 4x12
27	740022003	Thread guide plate
28	000107307	Tapping screw 3x8b
29	302502208	Extension table (unit)
30	302002007	Extension table
31	302003204	Extension table cover
32	302603509	Face cover (unit)
33	302004308	Face cover
34	840602006	Thread cutter (unit)
35	000119601	Tapping screw 4x25b
36	739064003	Bed rubber base
37	735616200	Rubber base (unit)
38	735002001	Rubber base
39	000097901	Flat screw m5x18
40	000061319	Nut

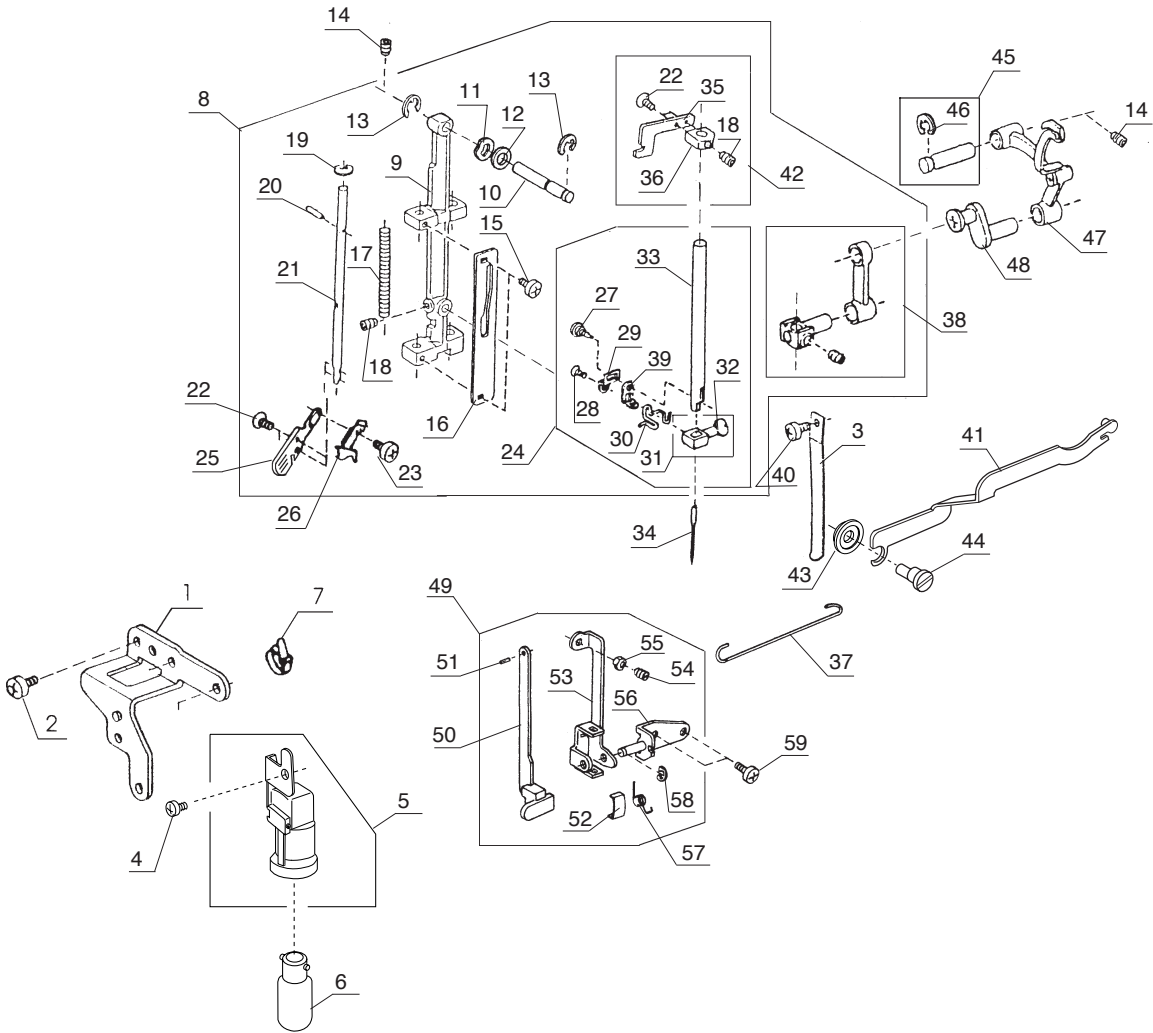
# PARTS LIST



## PARTS LIST

KEY NO.	PARTS NO.	DESCRIPTION
1	735626100	Presser bar base plate (unit)
2	735221008	Presser bar base plate
3	735222009	Needle drop adjusting plate
4	000101404	Setscrew 4x6
5	735193000	Needle bar supporter stopper
6	000138307	Bolt 4x8
7	735194104	Presser bar
8	735027002	Presser bar spring
9	735028003	Presser bar bracket
10	000111500	Hexagonal socket screw 4x8
11	735029004	Presser foot lifter
12	000001609	Snap ring E-5
13	735030008	Tension release lever
14	000013903	Snap ring CS-5
15	000081005	Setscrew 4x8
16	000070506	Washer
17	301612003	Presser foot (unit)
18	660106001	Thumb screw
19	741604008	Tension release arm (unit)
20	741008006	Tension release arm base
21	739017001	Tension release arm
22	739019003	Tension release spring
23	000002105	Snap ring E-3
24	302501001	Tension assembly
25	000103808	Setscrew 3x5
26	739016000	Top cover thread guide
27	000101703	Setscrew 4x12
28	740620502	Presser bar base plate (unit)
29	740613007	BH lever base (unit)
30	740050000	BH lever base
31	740051001	BH adjusting lever

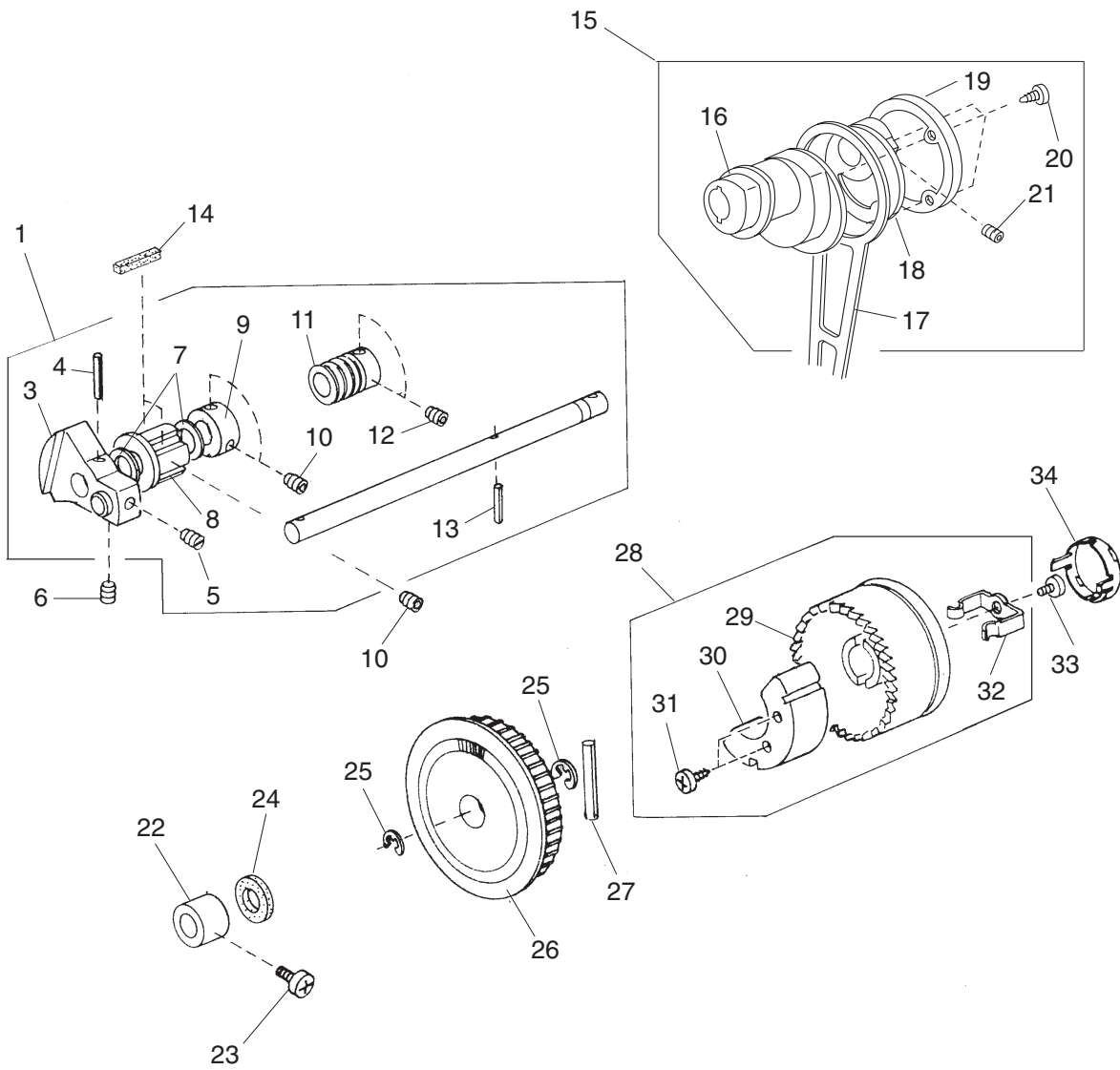
# PARTS LIST



# PARTS LIST

KEY NO.	PARTS NO.	DESCRIPTION
1	740007013	Lamp socket set plate
2	000081005	Setscrew 4x8
3	730024004	Needle bar supporter spring
4	000101404	Setscrew 4x6
5	743634003	Lamp socket (unit)
6	000009009	Lamp 240v 15w
7	000053709	Cord tie band
8	301613303	Needle bar supporter (unit)
9	301032106	Needle bar supporter
10	730022002	Needle bar supporter pin
11	673022002	Wave washer
12	000070609	Plain washer
13	000002507	Snap ring E-5
14	000111304	Hexagonal socket screw 5x5
15	000101105	Setscrew 3x4
16	735196003	Threader guide plate
17	734094007	Threader shaft spring
18	000111902	Hexagonal socket screw 5x5
19	734107004	Washer
20	000122906	Guide pin
21	734093017	Threader shaft
22	000097602	Setscrew 2x4
23	000105501	Setscrew 1.6x2.5
24	730503116	Needle bar (unit)
25	834015007	Threader lever
26	734515009	Threader guide plate (unit)
27	802108009	Hinge screw
28	670047004	Flat head screw
29	732105006	Needle clamp plate
30	680043012	Needle bar thread guide
31	801506008	Needle clamp (unit)
32	102047008	Needle clamp screw
33	553085019	Needle bar
34	102408089	#14 needle
35	735197004	Thread set plate
36	734102009	Thread base plate
37	740052002	BH step up rod
38	680504005	Needle bar connecting stud (unit)
39	730025005	Needle guide plate
40	000101404	Setscrew 4x6
41	302022003	Zigzag rod
42	735628009	Thread base plate (unit)
43	748021006	Zigzag rod plain washer
44	678084007	Eccentric pin
45	731511006	Thread take-up lever pin (unit)
46	000002806	Spring ring E-6
47	625506109	Thread take-up lever (unit)
48	735504008	Needle bar crank pin (unit)
49	740617001	BH lever (unit)
50	753629109	BH lever
51	000023009	Spring pin 1.6x4
52	753027008	Friction spring
53	740047004	BH lever supporter
54	000113306	Hexagonal socket screw 4x10
55	000160102	Adjustable lock nut 4
56	740048005	BH lever base plate
57	740049006	BH lever spring
58	000002105	Snap ring E-3
59	000103808	Setscrew 3x5

# PARTS LIST

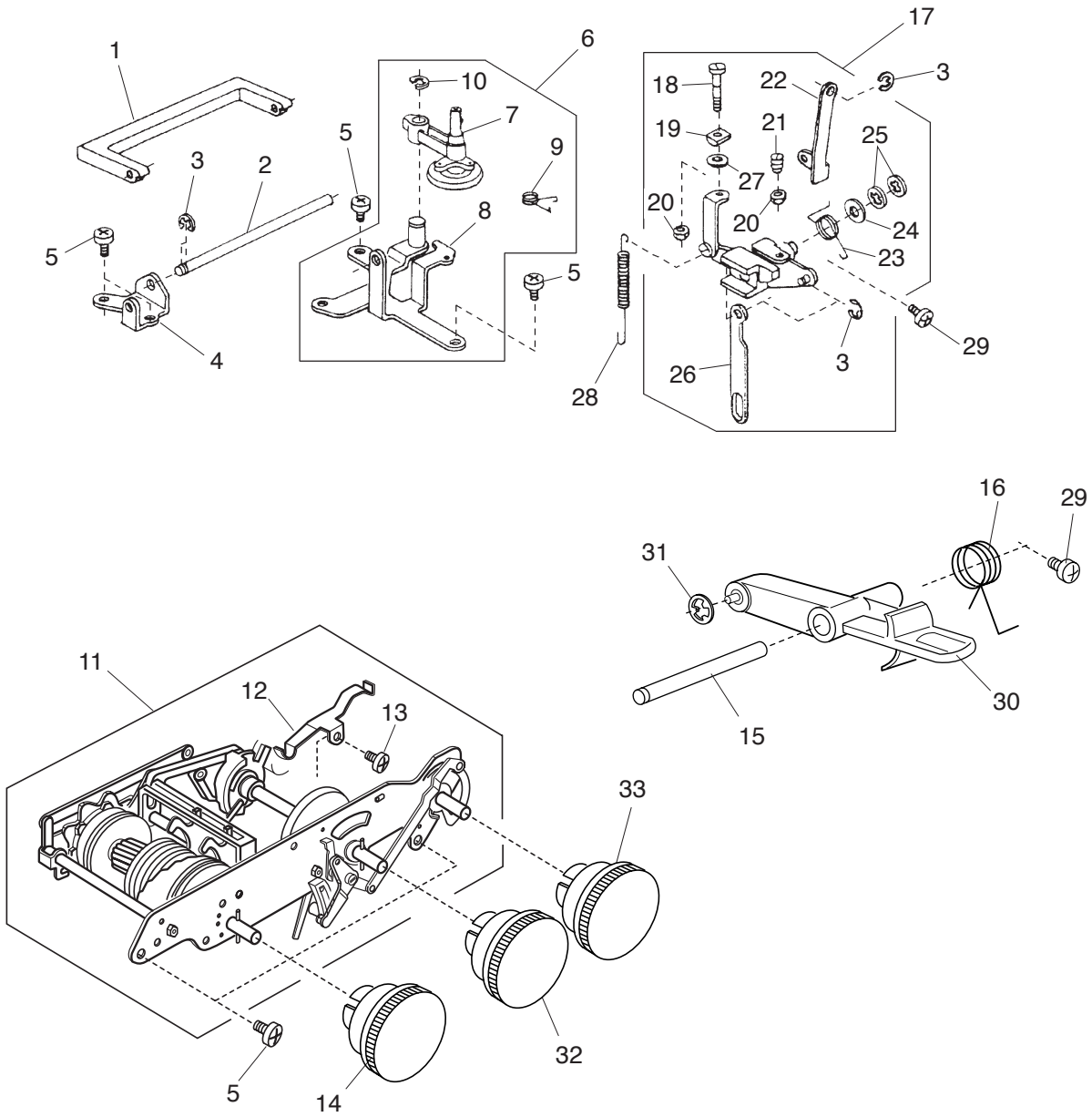




## PARTS LIST

KEY NO.	PARTS NO.	DESCRIPTION
1	304607004	Upper shaft (unit)
2	-----	-----
3	743008002	Take-up lever crank
4	000021708	Knock pin
5	102073003	Setscrew
6	761052007	Setscrew
7	000036717	Thrust washer
8	732025001	Upper shaft front bushing
9	639095000	Ring
10	000111304	Hexagonal socket screw 5x5
11	749011006	Worm
12	000111201	Hexagonal socket screw 4x4
13	000022802	Spring pin
14	731312005	Felt
15	304609006	Crank rod (unit)
16	304042005	Feed cam
17	743011008	Crank rod
18	304044007	Crank cam
19	304043006	Crank cam plate
20	000161309	Tapping screw 3x12
21	000110107	Hexagon socket screw 5x5
22	732003003	Upper shaft rear bushing
23	000172602	Setscrew 5x8
24	743029009	Felt
25	000030205	Snap ring E-8
26	743019006	Belt wheel
27	000023803	Spring pin
28	302604005	Handwheel (unit)
29	302007002	Handwheel
30	743030003	Balance weight
31	000121400	Tapping screw 3x14b
32	639113016	Clutch spring
33	000081005	Setscrew 4x8
34	650070509	Clutch cap

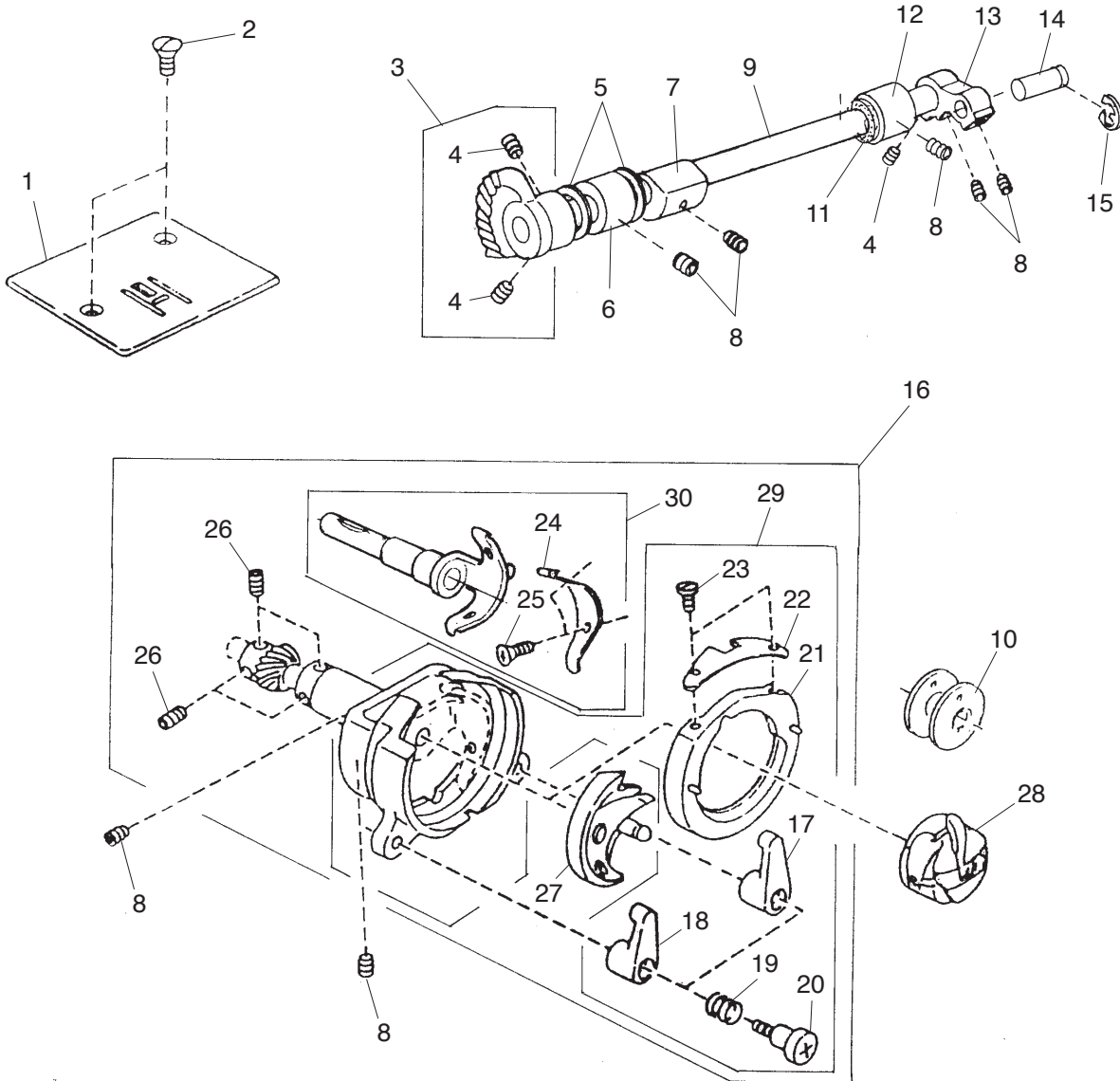
# PARTS LIST



## PARTS LIST

KEY NO.	PARTS NO.	DESCRIPTION
1	302006001	Handle
2	740011009	Handle shaft
3	000002105	Snap ring E-3
4	740010008	Handle supporter
5	000081005	Setscrew 4x8
6	740602209	Bobbin winder base plate (unit)
7	735501005	Bobbin winder arm (unit)
8	740003101	Bobbin winder base plate
9	740042009	Bobbin winder arm spring
10	000002806	Snap ring E-6
11	302607008	Zigzag mechanism (unit)
12	737011009	Index spring
13	000103808	Setscrew 3x5
14	302029309	Selector dial (pattern)
15	736015000	R button shaft
16	739063002	R button spring
17	736604105	Feed regulator (unit)
18	735074004	SS adjusting screw
19	735076006	SS rod block
20	000160102	Adjustable lock nut 4
21	648010009	Setscrew
22	739020007	Feed regulating rod
23	735077007	Feed regulating body spring
24	735073003	Plain washer
25	000013800	Snap ring CS-6
26	745052007	Reverse link
27	000071013	Washer
28	740125007	Feed regulator spring
29	000101301	Setscrew 5x10
30	302008209	R button
31	000014007	Snap ring CS-4
32	302029402	Selector dial (stitch length)
33	302029505	Selector dial (width)

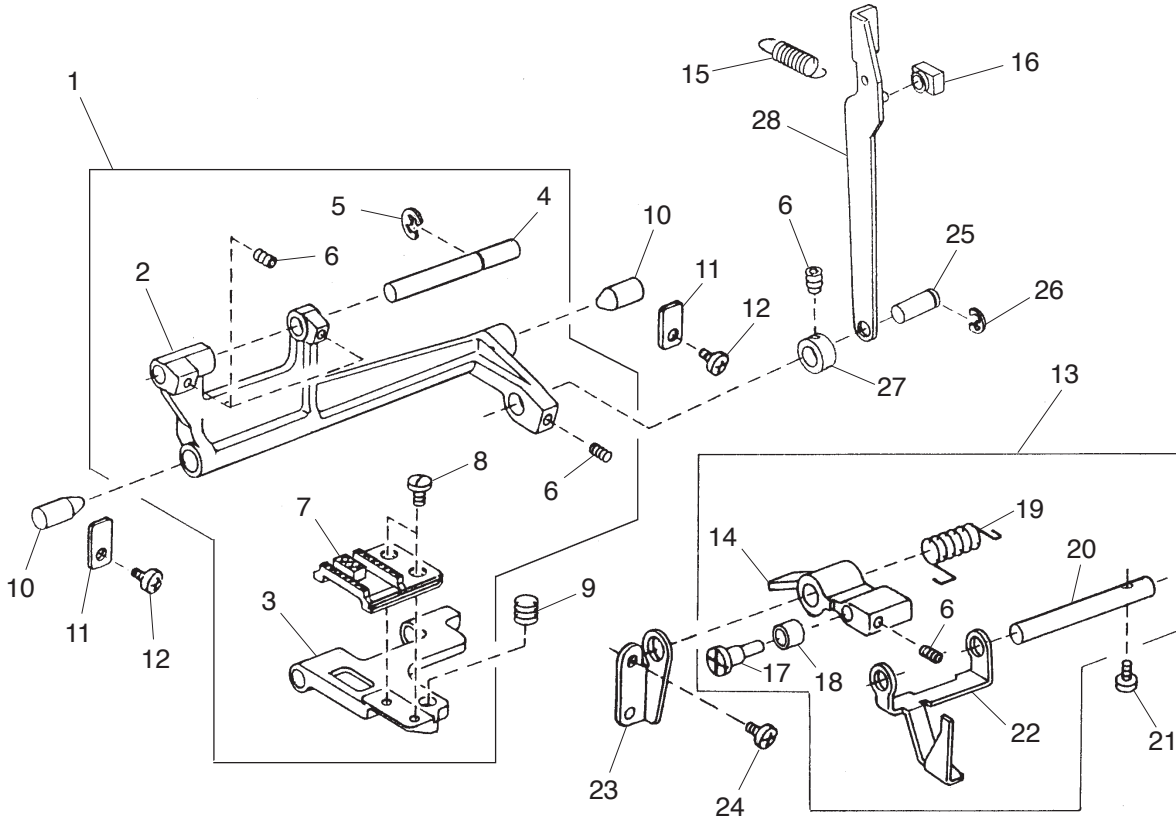
# PARTS LIST



## PARTS LIST

KEY NO.	PARTS NO.	DESCRIPTION
1	744004001	Needle plate
2	681009101	Setscrew
3	735950003	Lower shaft gear (unit)
4	000110107	Hexagon socket screw 5x5wp
5	000036201	Washer 8-0.5
6	735233003	Bushing
7	735061008	Feed lifting cam
8	000111304	Hexagon socket screw 5x5
9	735236006	Lower shaft
10	102261000	Bobbin
11	822070003	Felt
12	735234004	Bushing
13	639036003	Lower shaft crank arm
14	639037004	Pin
15	000001609	Snap ring E-5
16	735610101	Shuttle race body (unit)
17	605065006	Shuttle race ring clasp (right)
18	605066007	Shuttle race ring clasp (left)
19	639108007	Shuttle race ring clasp spring
20	673290003	Hinge screw
21	553168006	Shuttle race ring
22	601801000	Shuttle race spring
23	102100000	Setscrew
24	670286007	Shuttle driver spring
25	102202003	Plain screw
26	553245008	Hexagonal socket screw
27	532096007	Shuttle hook
28	647515006	Bobbin case (unit)
29	735508105	Shuttle race body (unit)
30	735509003	Driver body (unit)

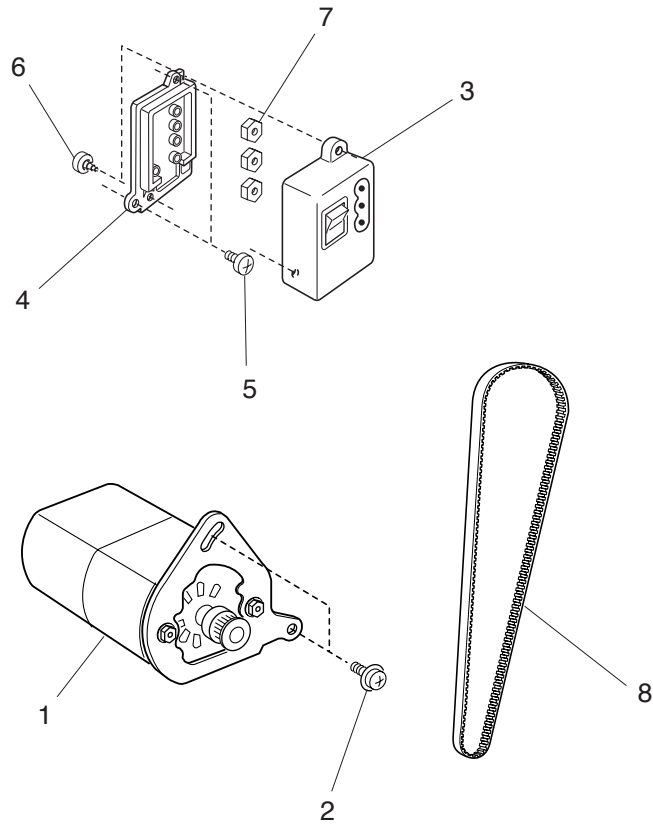
# PARTS LIST



## PARTS LIST

KEY NO.	PARTS NO.	DESCRIPTION
1	735612000	Feed rock shaft (unit)
2	735078008	Feed rock shaft
3	735079009	Feed bar
4	735080003	Feed bar shaft
5	000002507	Snap ring E-4
6	000111201	Hexagon socket screw
7	735081004	Feed dog
8	735082005	Setscrew
9	735083006	Feed bar spring
10	735084007	Feed rock shaft center
11	735085008	Feed rock shaft center plate
12	000101404	Setscrew 4x6
13	301609007	Feed lifting arm (unit)
14	301027005	Feed lifting arm
15	743013000	Feed rod spring
16	102141003	Feed regulator slide block
17	735087000	Feed lifting pin
18	735088001	Feed lifting roller
19	730061003	Feed lifting spring
20	735090006	Feed lifting shaft
21	000101703	Setscrew 4x12
22	740013001	Drop feed selecting plate
23	739022009	Feed lifting shaft holder
24	000081119	Setscrew 4x6
25	735071001	Feed rock shaft connecting pin
26	000002806	Snap ring E-6
27	735276008	Ring
28	743012009	Feed rod

# PARTS LIST





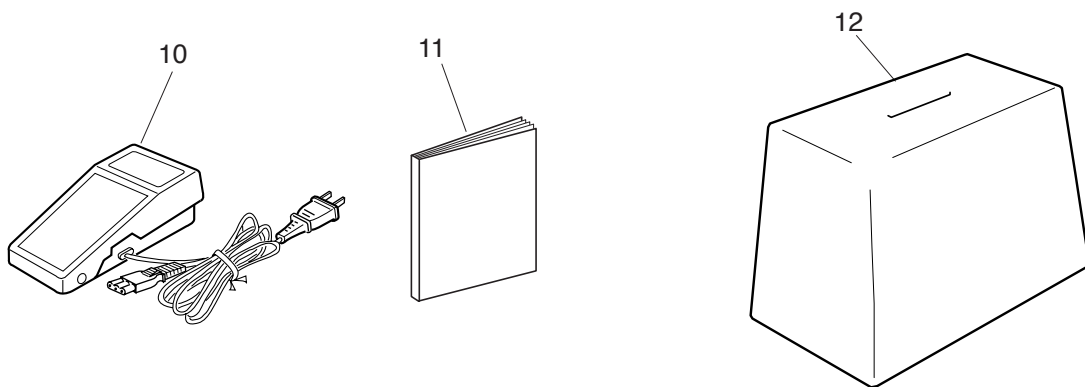
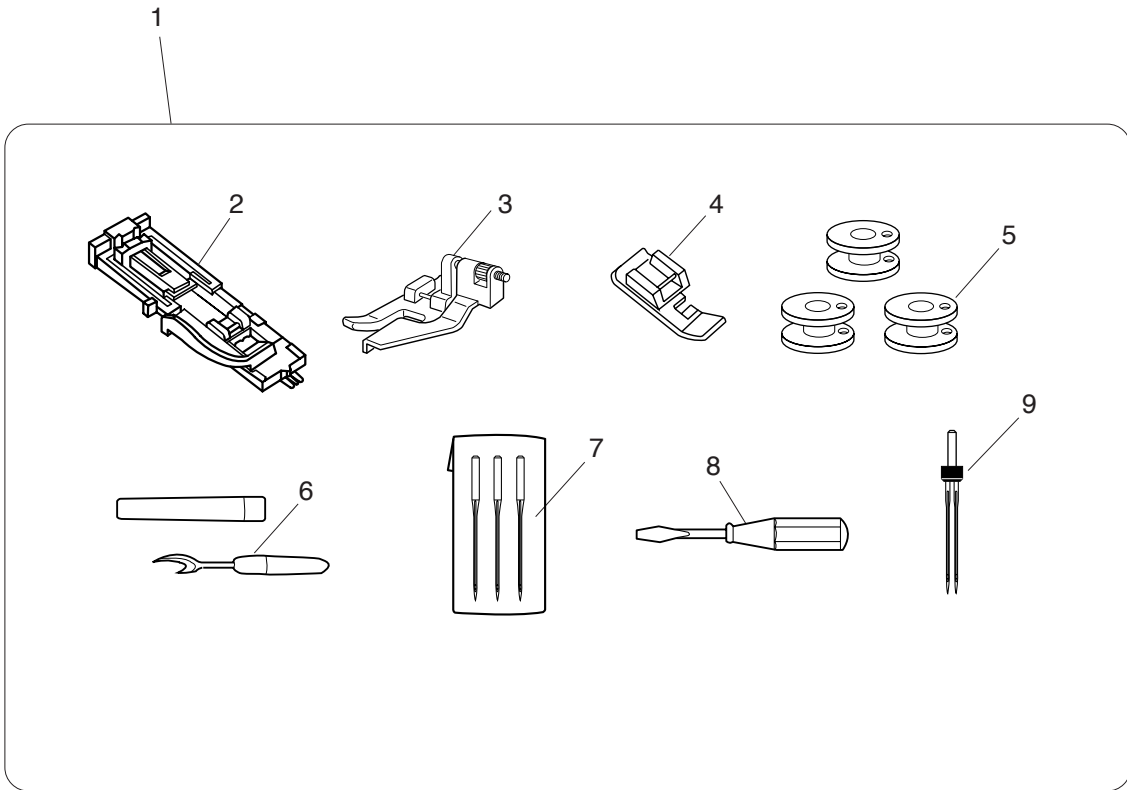
## PARTS LIST

---

KEY NO.	PARTS NO.	DESCRIPTION
1	743611200	Motor assy
2	000201209	Setscrew 5x12
3	739503308	Machine socket (unit)
4	739037007	Machine socket cover
5	000103509	Setscrew 4x10
6	000107802	Setscrew 3x10
7	000060802	Nut
8	650166008	Motor timing belt

---

# PARTS LIST



## PARTS LIST

KEY NO.	PARTS NO.	DESCRIPTION
1	302870004	Accessory set
2	740801004	Automatic buttonhole foot
3	611411000	Blind hem stitch foot
4	611406002	Zipper foot
5	102261000	Bobbin
6	647808009	Buttonhole opener
7	639804000	Needle set
8	647803004	Screw driver (small)
9	302802005	Twin needle
10	042870401	Foot control
11	302800058	Instruction book
12	743812100	Cover