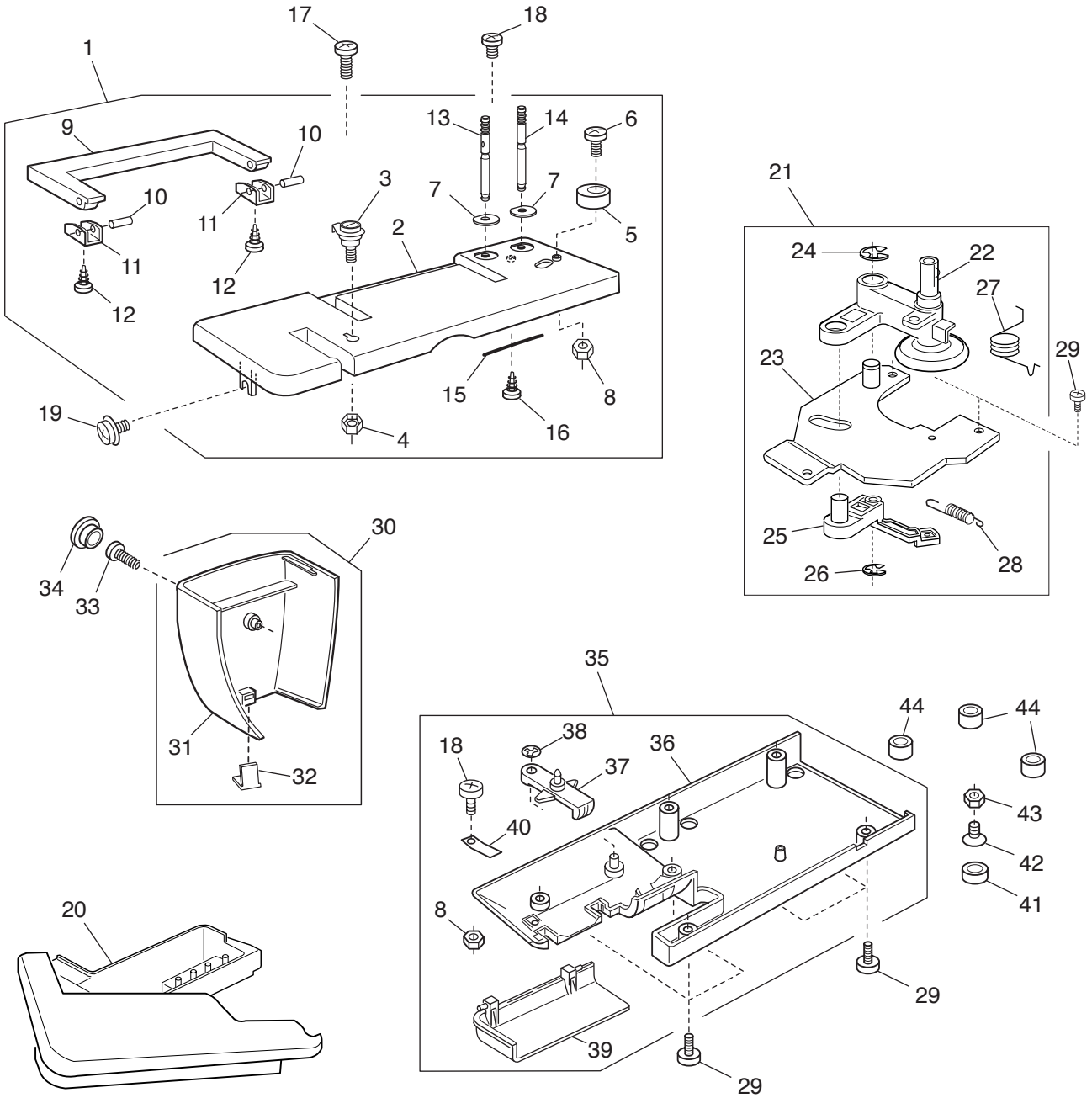


# **PARTS LIST**

**MODEL: 419**

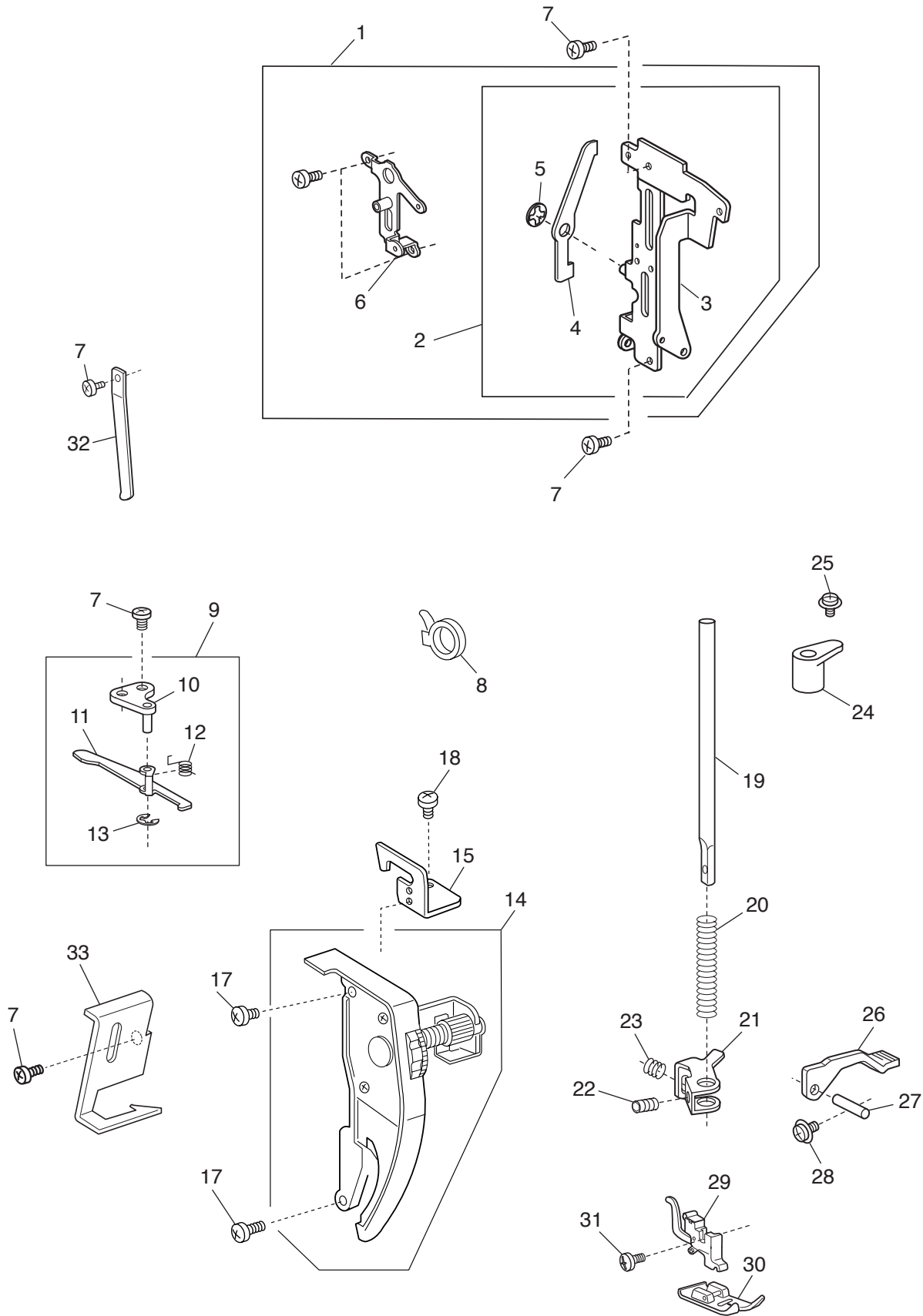
# PARTS LIST



# PARTS LIST

KEY NO.	PARTS NO.	DESCRIPTION
1	303602006	Top cover (unit)
2	303009007	Top cover
3	730501011	Thread guide plate (unit)
4	000160102	Adjustable lock nut 4
5	735016307	Bobbin winder stopper
6	000101828	Setscrew 4x16
7	735013005	Cushion
8	000061205	Nut 4-3-7
9	303010001	Carrying handle
10	730015002	Handle fixing plate pin
11	730016003	Handle fixing plate
12	000107204	Setscrew 3x12 (B)
13	652302004	Spool pin (hole)
14	652205006	Spool pin (no hole)
15	736007009	Spool pin spring
16	000076317	Setscrew 3x10
17	000166706	Setscrew 5x20
18	000101404	Setscrew 4x6
19	000115205	Setscrew TP 4x6
20	303501004	Extension table (unit)
21	303603007	Bobbin winder (unit)
22	303502005	Bobbin winder arm (unit)
23	303012003	Bobbin winder set plate
24	000002806	Snap ring E-6
25	303013004	Cruch arm
26	000002105	Snap ring E-3
27	303014005	Bobbin winder spring (1)
28	303015006	Bobbin winder spring (2)
29	000081005	Setscrew 4x8
30	303607610	Face plate (unit)
31	303022109	Face plate
32	840602006	Thread cutter (unit)
33	000101703	Setscrew 4x12
34	653006101	Cap
35	303601005	Base cover (unit)
36	303003001	Base
37	738060006	Drop lever
38	000013903	Snap ring CS-5
39	303005003	Bed lid
40	730006000	Lid spring
41	639005003	Rubber base
42	000097808	Setscrew 5x25
43	000061319	Nut 5-1-8
44	647009002	Bed rubber base

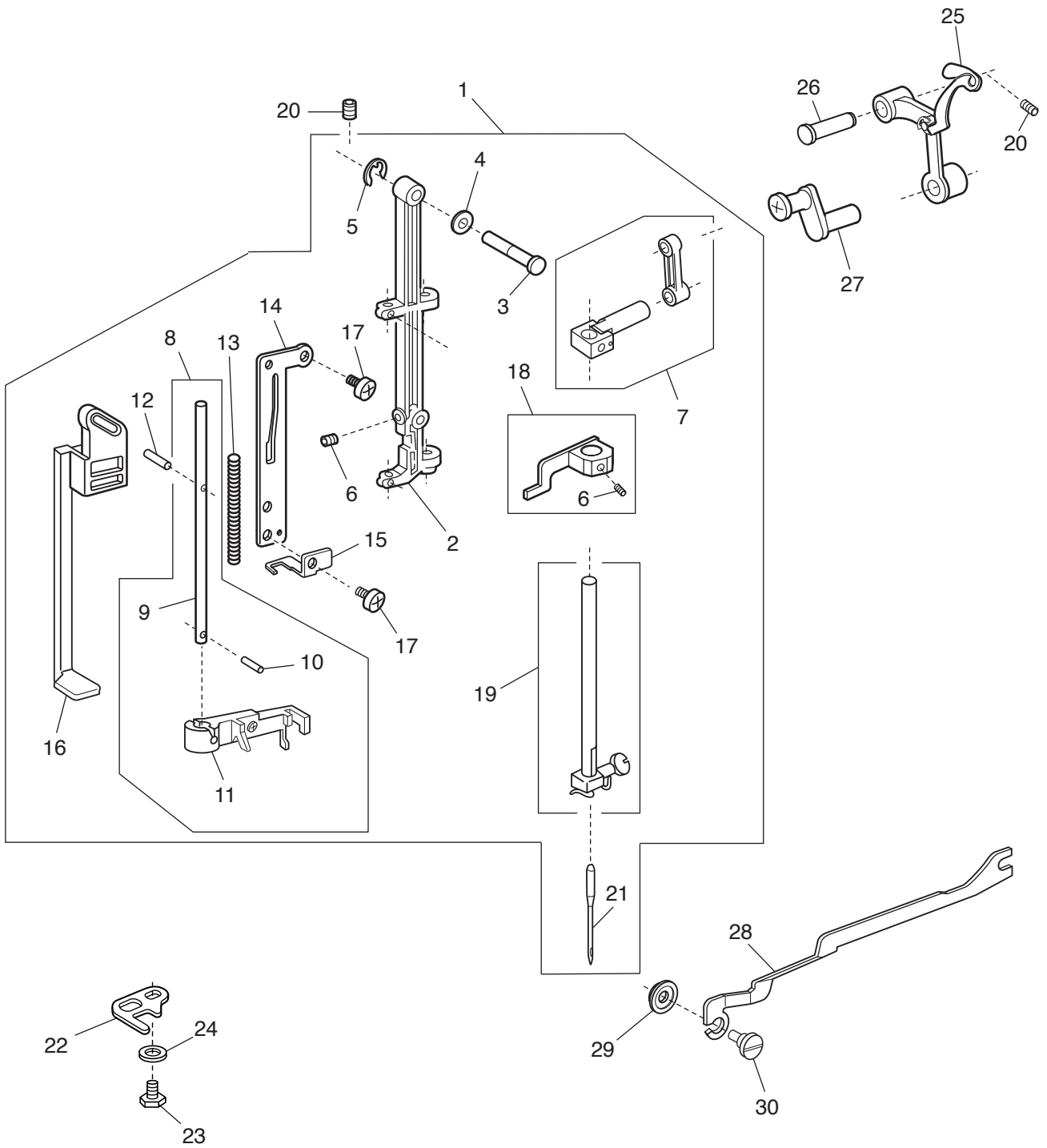
# PARTS LIST



# PARTS LIST

KEY NO.	PARTS NO.	DESCRIPTION
1	312607102	Front bracket (whole unit)
2	312608103	Front bracket (unit)
3	312012001	Front bracket
4	303019000	Tension release lever
5	000013903	Snap ring CS-5
6	303021108	Face cover set plate
7	000101404	Setscrew 4x6
8	000053008	Cord binder
9	303620000	Tension release arm (unit)
10	739017001	Tension release arm base
11	739018002	Tension release arm
12	303070009	Tension release spring
13	000002105	Snap ring E-3
14	303503006	Tension regulator (unit)
15	739016000	Top cover thread guide
16	000103808	Setscrew 3x5
17	000101703	Setscrew 4x12
18	000081005	Setscrew 4x8
19	303017008	Presser bar
20	303067003	Presser bar spring
21	822069009	Presser bar bracket
22	000111500	Hexagonal socket screw 4x8
23	749060000	Presser regulator spring
24	652104004	Presser bar bushing
25	000115205	Setscrew TP 4x6
26	822071004	Presser foot lifter
27	822072005	Presser foot lifter pin
28	000115700	Setscrew TP 4x10
29	611510000	Foot holder (unit)
30	611511001	Presser foot (unit)
31	660106001	Setscrew
32	730024004	Needle bar supporter spring
33	303008006	Arm thread guide

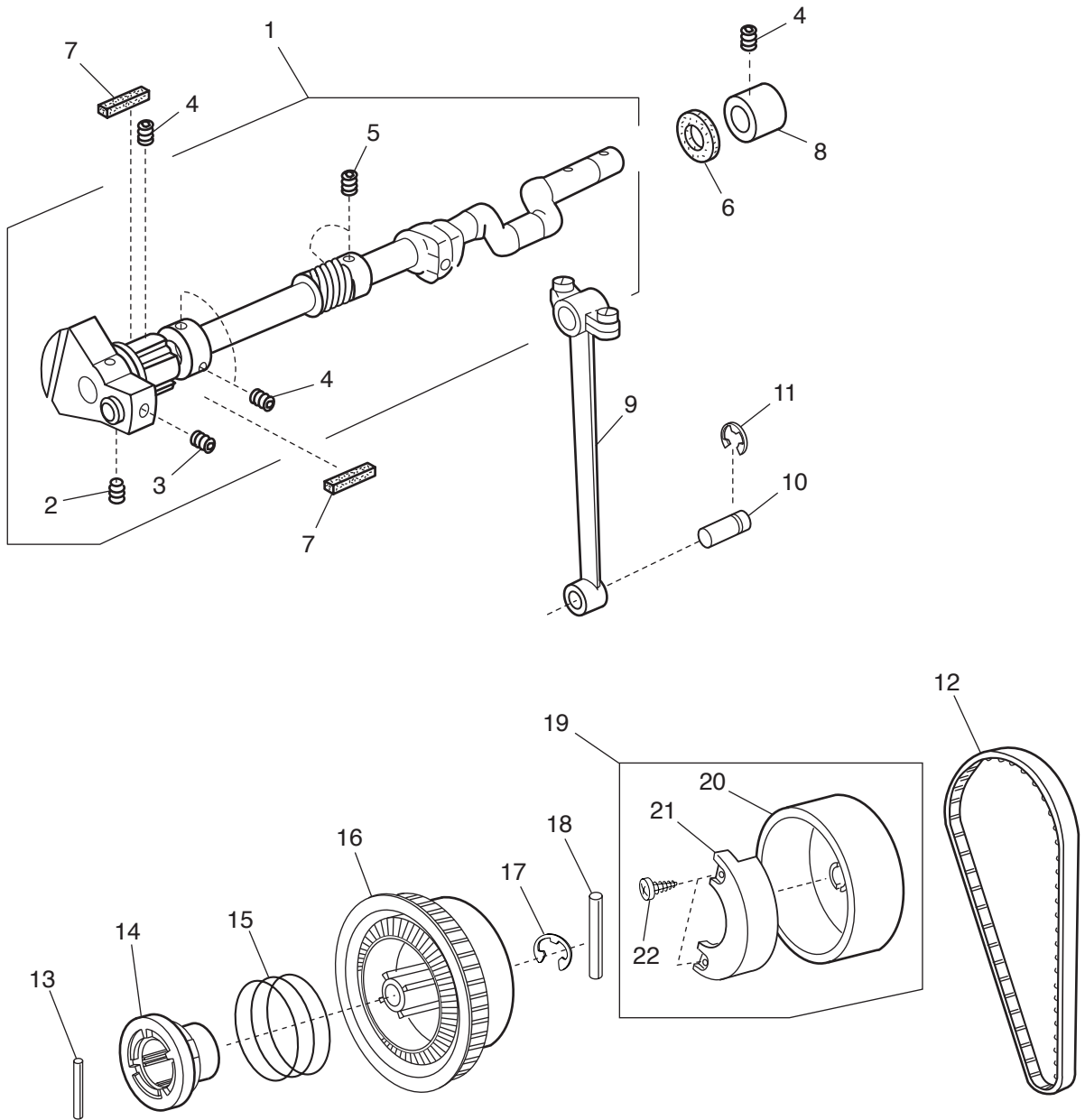
# PARTS LIST



# PARTS LIST

KEY NO.	PARTS NO.	DESCRIPTION
1	303604008	Needle bar supporter (unit)
2	303020107	Needle bar supporter
3	730022002	Needle bar supporter pin
4	673022002	Spring washer
5	000002507	Snap ring E-4
6	000111902	Hexagonal socket screw 3x4
7	301504104	Needle bar connecting stud (unit)
8	303605009	Threader shaft (unit)
9	303016007	Threader shaft
10	000003508	Spring pin 2x8
11	755643002	Threader plate (unit)
12	000125105	Pin
13	840035002	Needle threader spring
14	303064000	Threader guide plate
15	840037004	Threader lever plate
16	840034001	Threader lever
17	000078319	Setscrew 3x6
18	734625003	Threader positioning setting plate (unit)
19	730503013	Needle bar (unit)
20	000111304	Hexagonal socket screw 5x5
21	102408089	Needle
22	680036001	Stopper
23	000066303	Bolt 4x6
24	000070506	Washer 4
25	625506109	Thread take-up lever (unit)
26	647040108	Thread take-up lever pin
27	730509008	Needle bar crank pin (unit)
28	722033001	Zigzag rod
29	748021006	Zigzag rod washer
30	678084007	Eccentric pin

# PARTS LIST

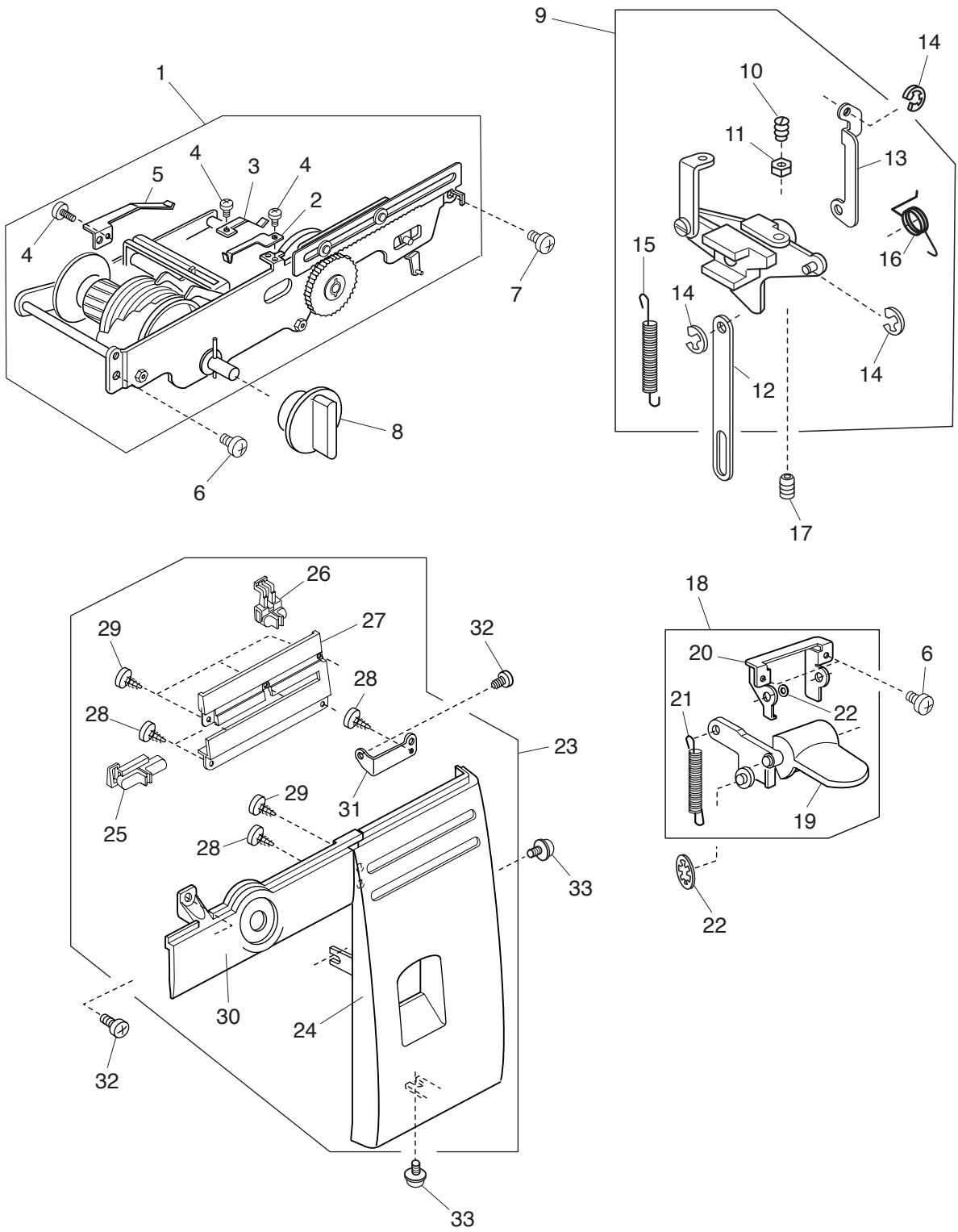




# PARTS LIST

KEY NO.	PARTS NO.	DESCRIPTION
1	303608002	Upper shaft (unit)
2	102073003	Screw
3	102063000	Screw
4	000111304	Hexagonal socket screw 5x5
5	553245008	Hexagonal socket screw
6	743029009	Felt
7	731312005	Felt
8	732003003	Upper shaft rear bushing
9	738634007	Crank rod (unit)
10	673103008	Crank rod pin
11	000002806	Snap ring E-6
12	738046006	Timing belt
13	000024206	Spring pin 3x30
14	502064003	Clutch ring
15	502065004	Clutch spring
16	303025009	Belt wheel
17	000030205	Snap ring E-8
18	000023803	Spring pin 4x40
19	303609003	Handwheel (unit)
20	303026000	Handwheel
21	303027001	Balance weight
22	000161206	Setscrew 3x10 (B)

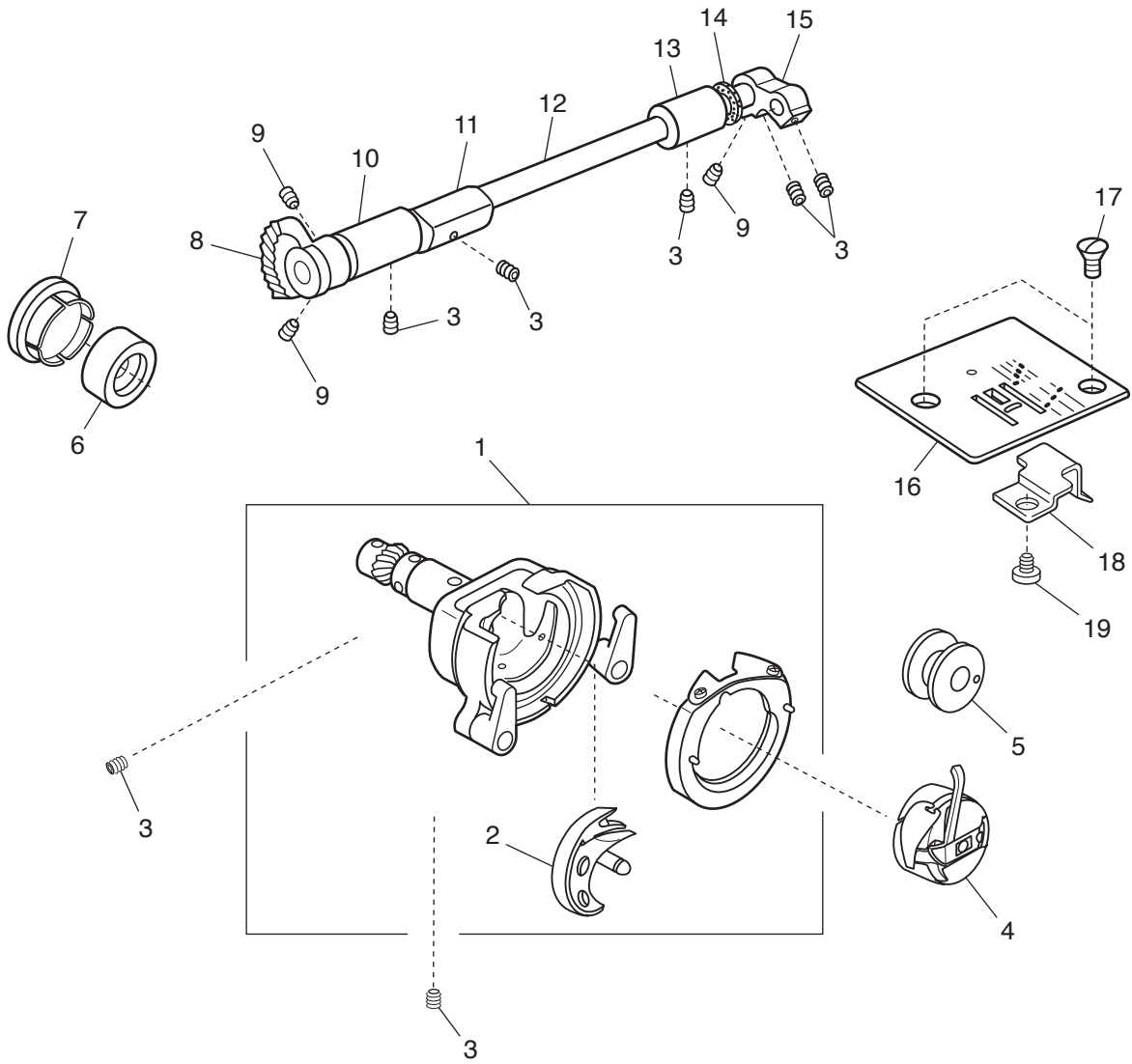
# PARTS LIST



# PARTS LIST

KEY NO.	PARTS NO.	DESCRIPTION
1	303613000	Zigzag mechanism (unit)
2	303028002	Index spring (1)
3	303051004	Index spring (2)
4	000103808	Setscrew 3x5
5	303066002	Feed assistance spring
6	000081005	Setscrew 4x8
7	810220003	Setscrew
8	303052005	Pattern selector dial
9	303610203	Feed regulator (unit)
10	648010009	Setscrew
11	000160102	Adjustable nut 4
12	731034000	Reverse lever rod
13	303029003	Feed regulator rod
14	000002105	Snap ring E-3
15	670100006	Feed regulator spring
16	803134007	Feed regulator body spring
17	000111304	Hexagonal socket screw 5x5
18	303611008	Reverse lever (unit)
19	303030007	Reverse lever
20	303031008	Reverse lever supporter
21	731033009	Reverse lever spring
22	000013903	Snap ring CS-5
23	303614001	Front cover (unit)
24	303053109	Front cover
25	303054007	Width slide button
26	303055008	Feed slide button
27	303056009	Slide button plate
28	000120203	Setscrew 3x8
29	000161103	Setscrew 3x6
30	303057103	Front panel frame
31	303058001	Front cover set plate
32	000101404	Setscrew 4x6
33	000115205	Setscrew TP 4x6

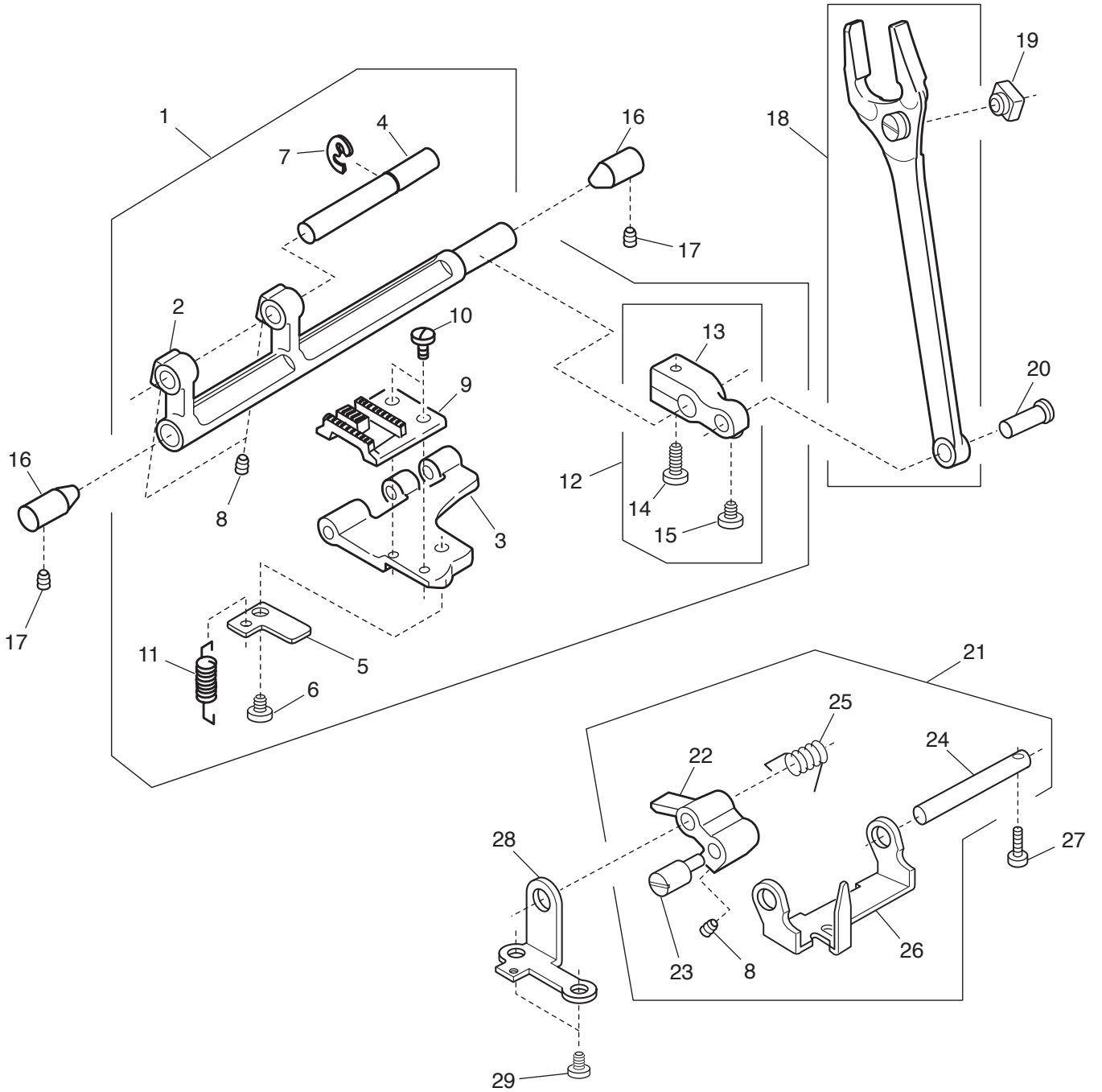
# PARTS LIST



# PARTS LIST

KEY NO.	PARTS NO.	DESCRIPTION
1	640603104	Hook race (unit)
2	532096007	Hook
3	000111304	Hexagonal socket screw 5x5
4	647515006	Bobbin case (unit)
5	102261000	Bobbin
6	640018003	Hook driver shaft bushing
7	626045407	Cap
8	730038001	Lower shaft gear
9	000110107	Hexagonal socket screw 5x5 (WP)
10	738024008	Lower shaft front bushing
11	647043008	Feed lifting cam
12	647142905	Lower shaft
13	640038009	Lower shaft rear bushing
14	722034002	Felt
15	738023007	Lower shaft crank
16	730027007	Needle plate
17	681009101	Flat screw
18	730107002	Gear box upper cover
19	000101404	Setscrew 4x6

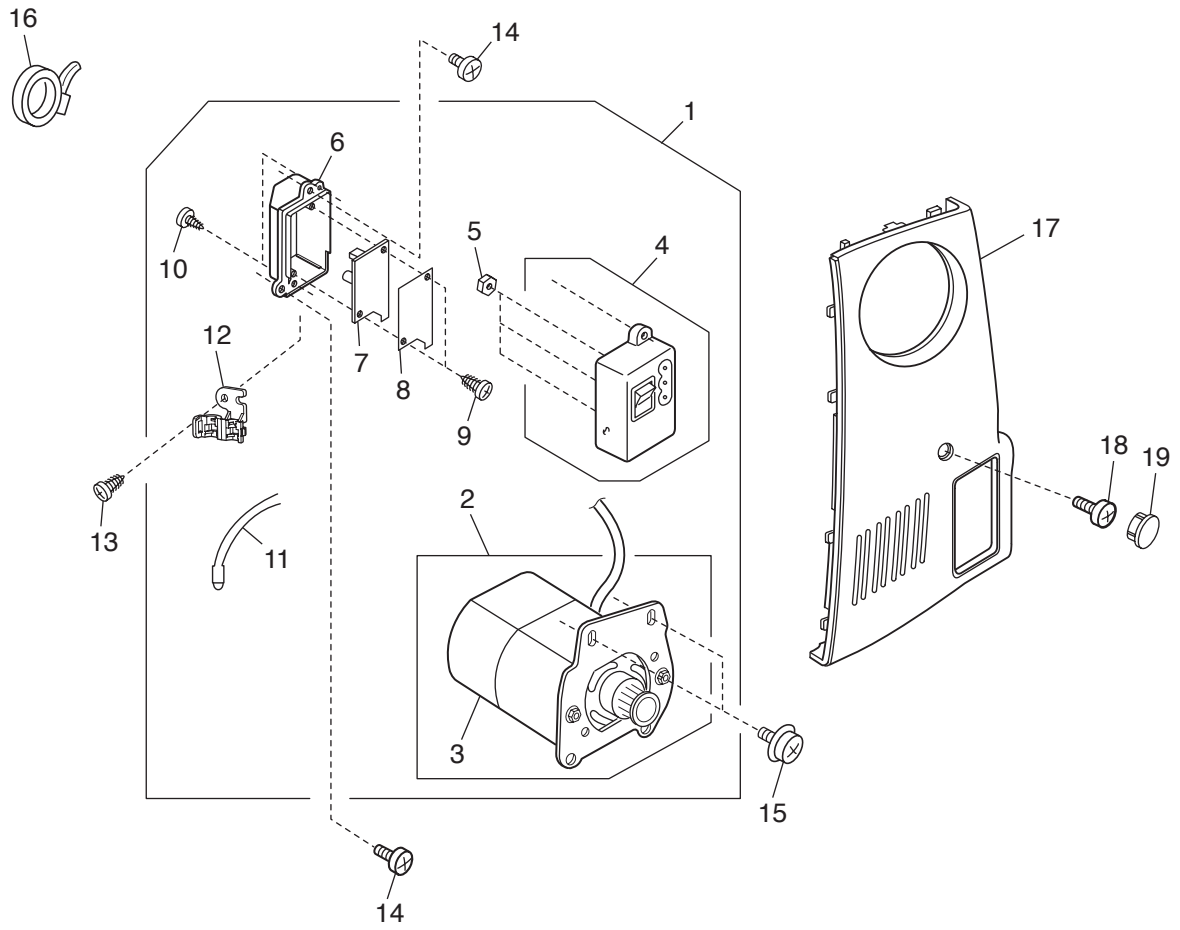
# PARTS LIST



# PARTS LIST

KEY NO.	PARTS NO.	DESCRIPTION
1	730611004	Feed rock shaft (unit)
2	730057006	Feed rock shaft
3	647066007	Feed dog base
4	647134007	Feed dog base shaft
5	648019008	Feed dog base sliding plate
6	102021202	Setscrew
7	000002507	Snap ring E-4
8	000111108	Hexagonal socket screw 4x6
9	730184003	Feed dog
10	730183002	Setscrew
11	672042005	Feed dog base spring
12	647612015	Feed rock shaft crank (unit)
13	647064005	Feed rock shaft crank
14	102151006	Setscrew
15	102205006	Setscrew
16	738055008	Straight pin
17	000111304	Hexagonal socket screw 5x5
18	303638001	Fork rod (unit)
19	102141003	Feed regulator slide block
20	735071104	Feed rock shaft connecting pin
21	303612009	Feed lifting arm (unit)
22	738028013	Feed lifting arm
23	730063016	Eccentric pin
24	735090109	Feed lifting shaft
25	730061003	Drop feed selecting spring
26	303069005	Drop feed selecting plate
27	000101703	Setscrew 4x12
28	303033000	Feed lifting arm shaft holder
29	000101404	Setscrew 4x6

# PARTS LIST

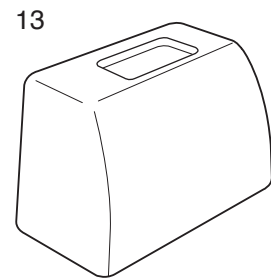
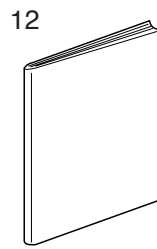
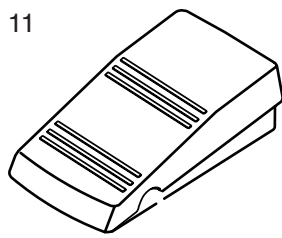
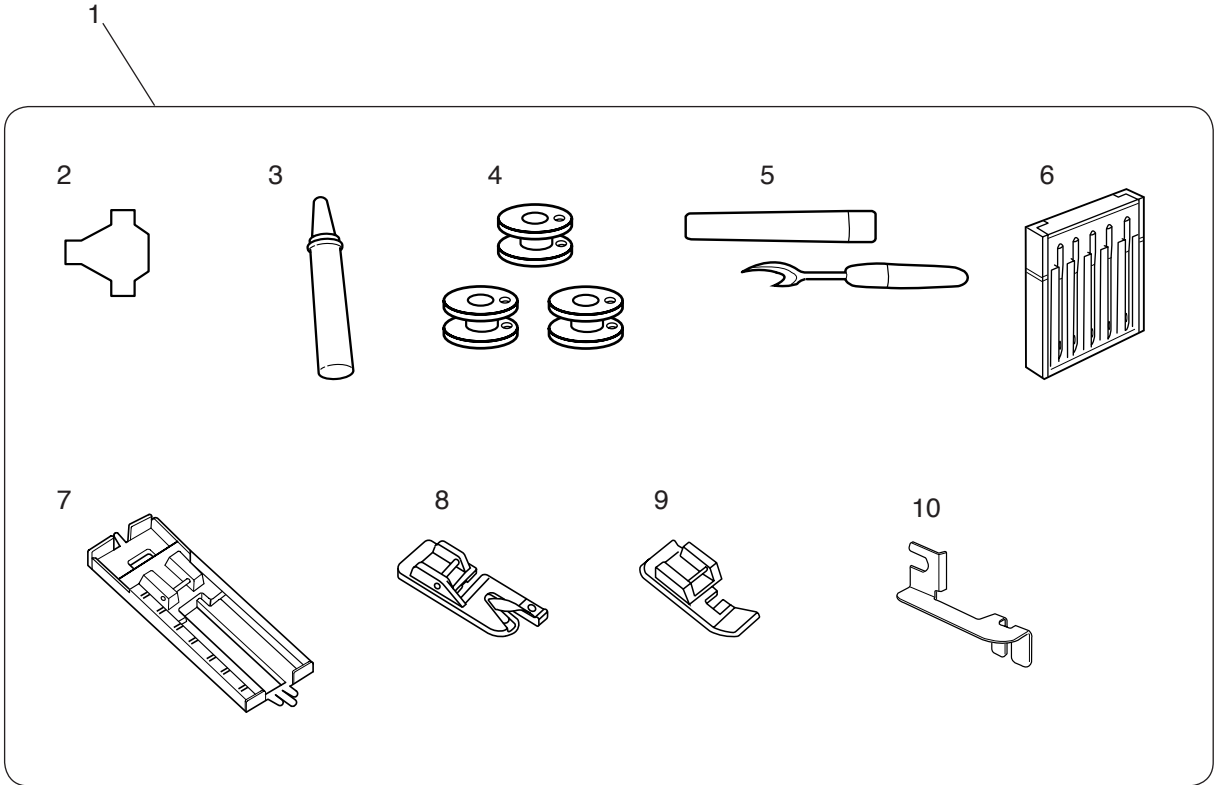




# PARTS LIST

KEY NO.	PARTS NO.	DESCRIPTION
1	312630001	Machine socket (whole unit)
2	303675000	Motor assembly (unit) including bracket
3	026623005	Motor with pulley
4	739503308	Machine socket (unit)
5	000060802	Nut 3-1-5.5
6	303092007	Machine socket cover
7	508512102	Printed circuit board C (unit)
8	508134003	Insulating paper
9	000120203	Setscrew 3x8 (B)
10	000107802	Setscrew 3x10 (B)
11	508515301	LED (unit)
12	508143005	LED holder
13	000103808	Setscrew 3x5
14	000103509	Setscrew 4x10
15	000115504	Setscrew TP 5x10
16	000053008	Cord binder
17	303059002	Belt cover
18	000106801	Setscrew 4x35
19	653006101	Cap

# PARTS LIST



# PARTS LIST

KEY NO.	PARTS NO.	DESCRIPTION
1	303870007	Accessory set
2	653802002	Screw driver
3	741814003	Oil
4	102261000	Bobbin
5	647808009	Seam ripper/buttonhole opener
6	540401026	Needle set
7	611413002	Sliding buttonhole foot
8	743815000	Hemmer foot
9	611406002	Zipper foot
10	674401002	Hem guide
11	043970106	Foot control
12	303800729	Instruction manual (English)
13	488701002	Cover