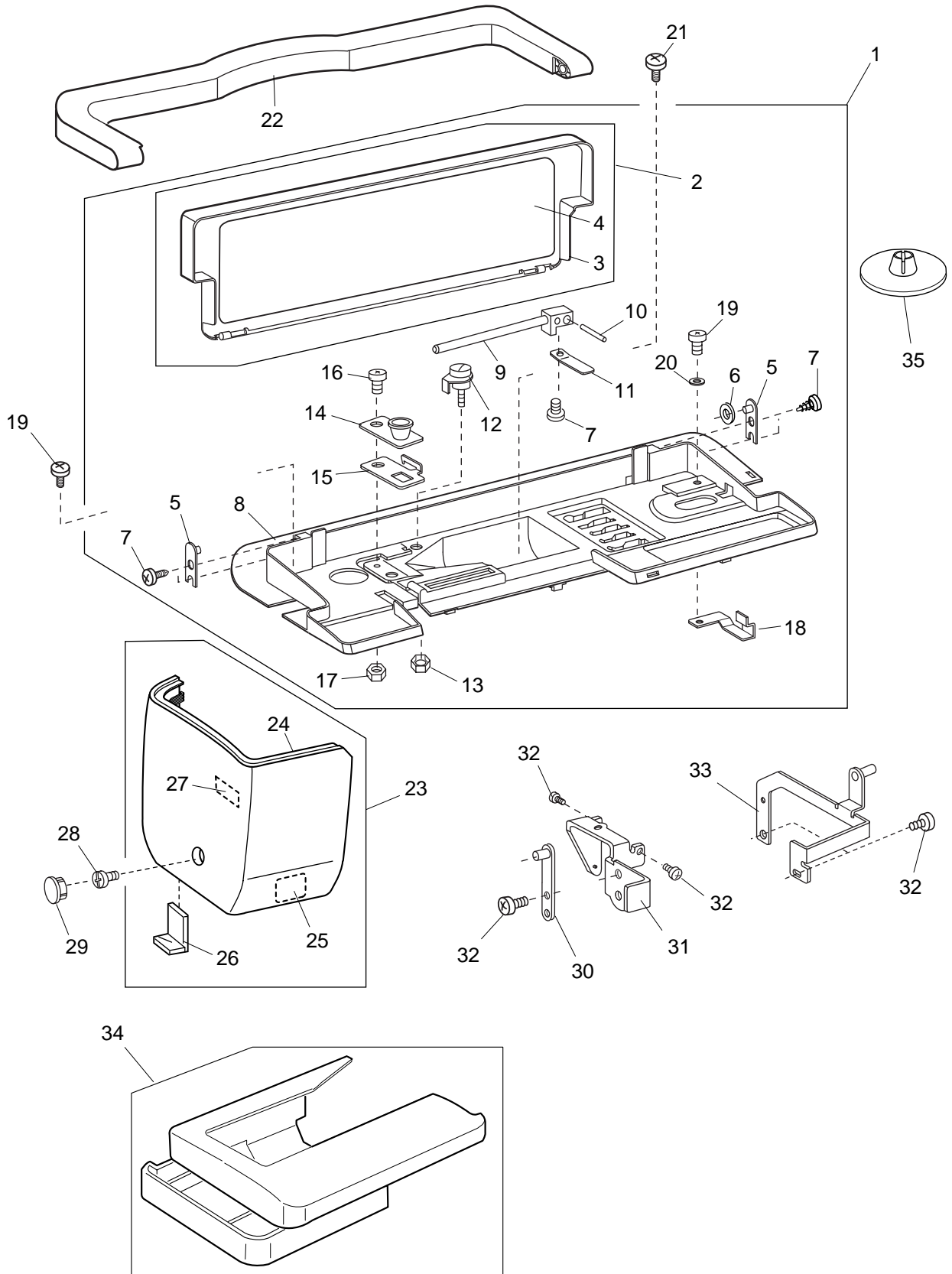


PARTS LIST

MODEL 6260QC

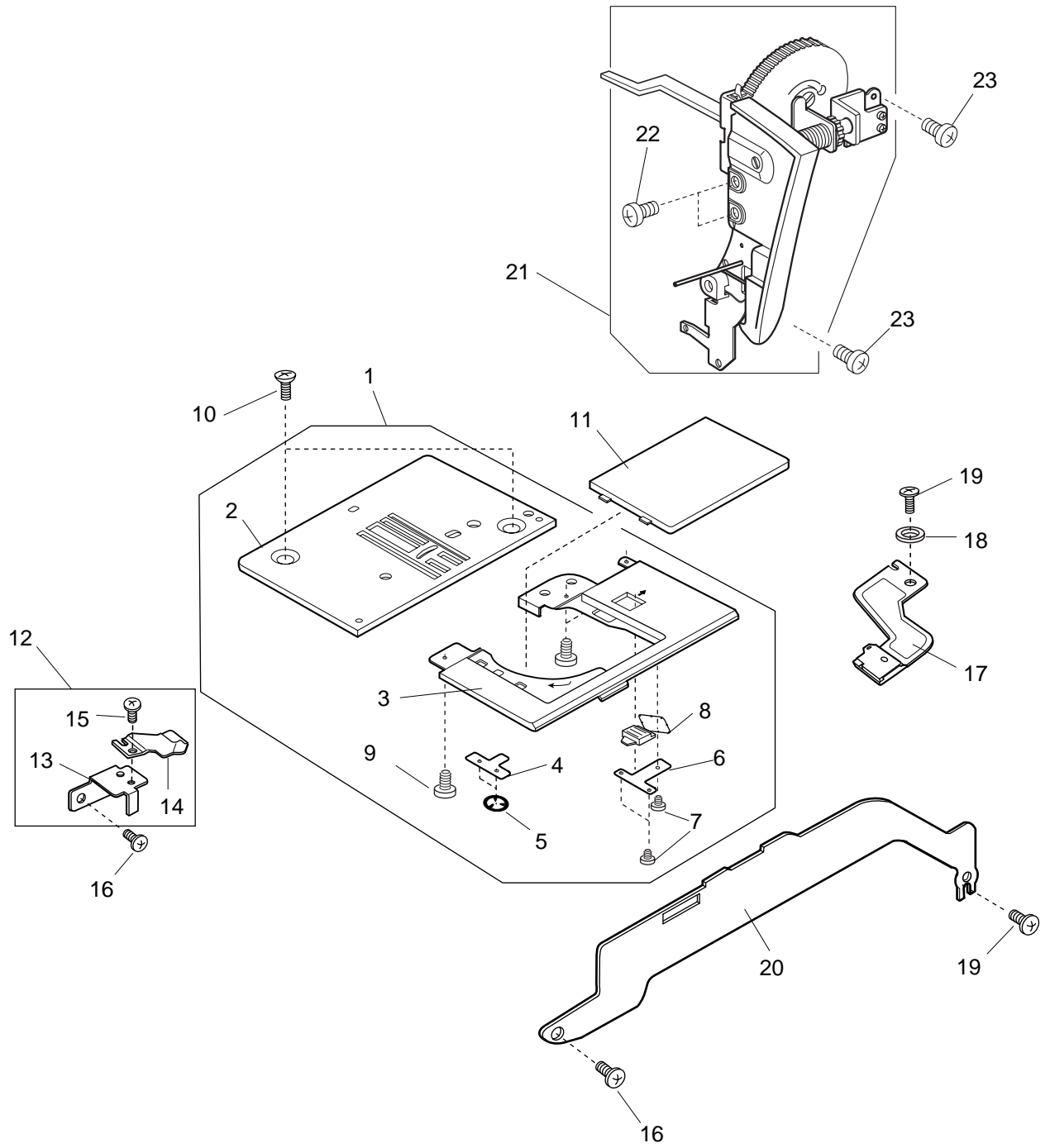
PARTS LIST



PARTS LIST

KEY NO.	PARTS NO.	DESCRIPTION
1	503603209	TOP COVER COMPLETE UNIT
2	503604200	TOP COVER UNIT
3	503009003	TOP COVER LID
4	845001004	REFERENCE CHART
5	830013003	TOP COVER HINGE
6	830190005	WASHER
7	000120214	SETSCREW 3X8
8	503011008	TOP COVER
9	822016609	SPOOL PIN
10	822018003	SPOOL PIN SHAFT
11	822018003	SPOOL PIN SPRING
12	730501011	THREAD GUIDE PLATE UNIT
13	000160102	ADJUSTABLE LOCK NUT 4
14	753502002	TOP COVER THREAD GUIDE UNIT
15	840138006	TOP COVER THREAD GUIDE
16	639093006	FLAT SCREW
17	000062701	HEXAGONAL NUT
18	503144001	BOBBIN WINDER STOPPER
19	000078342	SETSCREW 3X6
20	000070230	PLAIN WASHER 3
21	000103417	SETSCREW 4X8
22	503605005	CARRYING HANDLE UNIT
23	503606006	FACE PLATE UNIT
24	503015105	FACE PLATE
25	827099003	STICKER
26	840602006	THREAD CUTTER UNIT
27	100411207	LAMP STICKER
28	000103509	SETSCREW 4X10
29	653006101	CAP
30	503014001	HANDLE BRACKET FRONT-2
31	503025005	HANDLE BRACKET FRONT
32	000081005	SETSCREW 4X8
33	503104009	HANDLE BRACKET REAR
34	503506005	EXTENSION TABLE UNIT
35	822020503	SPOOL HOLDER LARGE

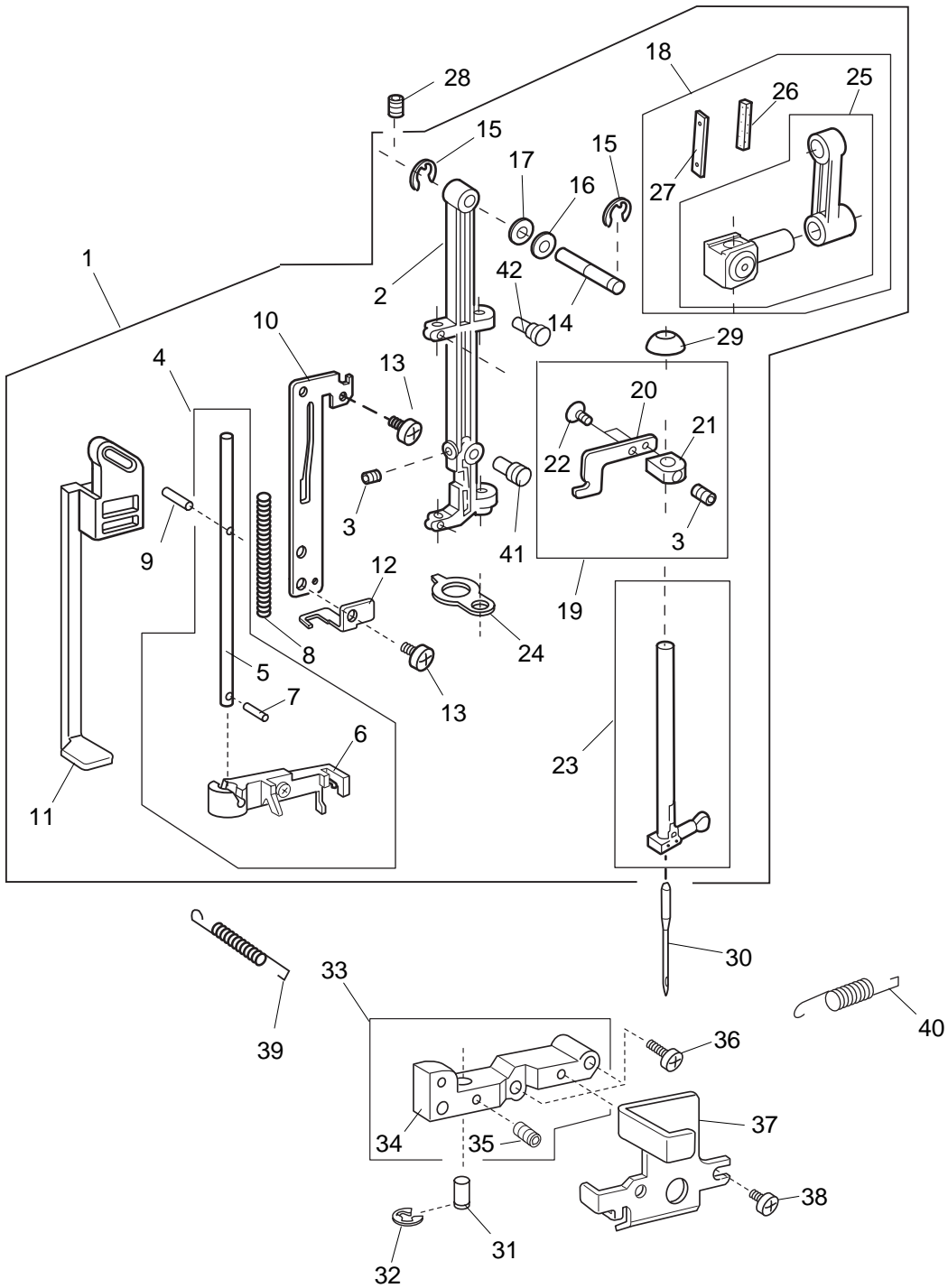
PARTS LIST



PARTS LIST

KEY NO.	PARTS NO.	DESCRIPTION
1	503601001	NEEDLE PLATE UNIT
2	503006000	NEEDLE PLATE
3	502014008	SUB NEEDLE PLATE
4	502015009	HOOK COVER PLATE HOLDER SPRING
5	000015503	SNAP RING CS 2.4
6	502202005	HOOK COVER PLATE HOLDING PLATE
7	000130103	TAPPING SCREW 1.7 X 3
8	502016000	HOOK COVER PLATE RELEASE BUTTON
9	000096911	SETSCREW 2 X 3.5
10	502213009	SETSCREW
11	502017104	HOOK COVER PLATE
12	503630009	BOBBIN HOLDER STOPPER UNIT
13	503141008	BOBBIN HOLDER STOPPER SET PLATE
14	502018002	BOBBIN HOLDER STOPPER
15	000101105	SETSCREW 3 X 4
16	000101404	SETSCREW 4 X 6
17	503602002	SHUTTLE HOOK STOPPER UNIT
18	000071013	WASHER
19	810220003	SETSCREW
20	845016002	NEEDLE PLATE FIXING PLATE
21	503631000	THREAD TENSION REGULATOR UNIT
22	000101105	SETSCREW 3 X 4
23	000081005	SETSCREW 4 X 8

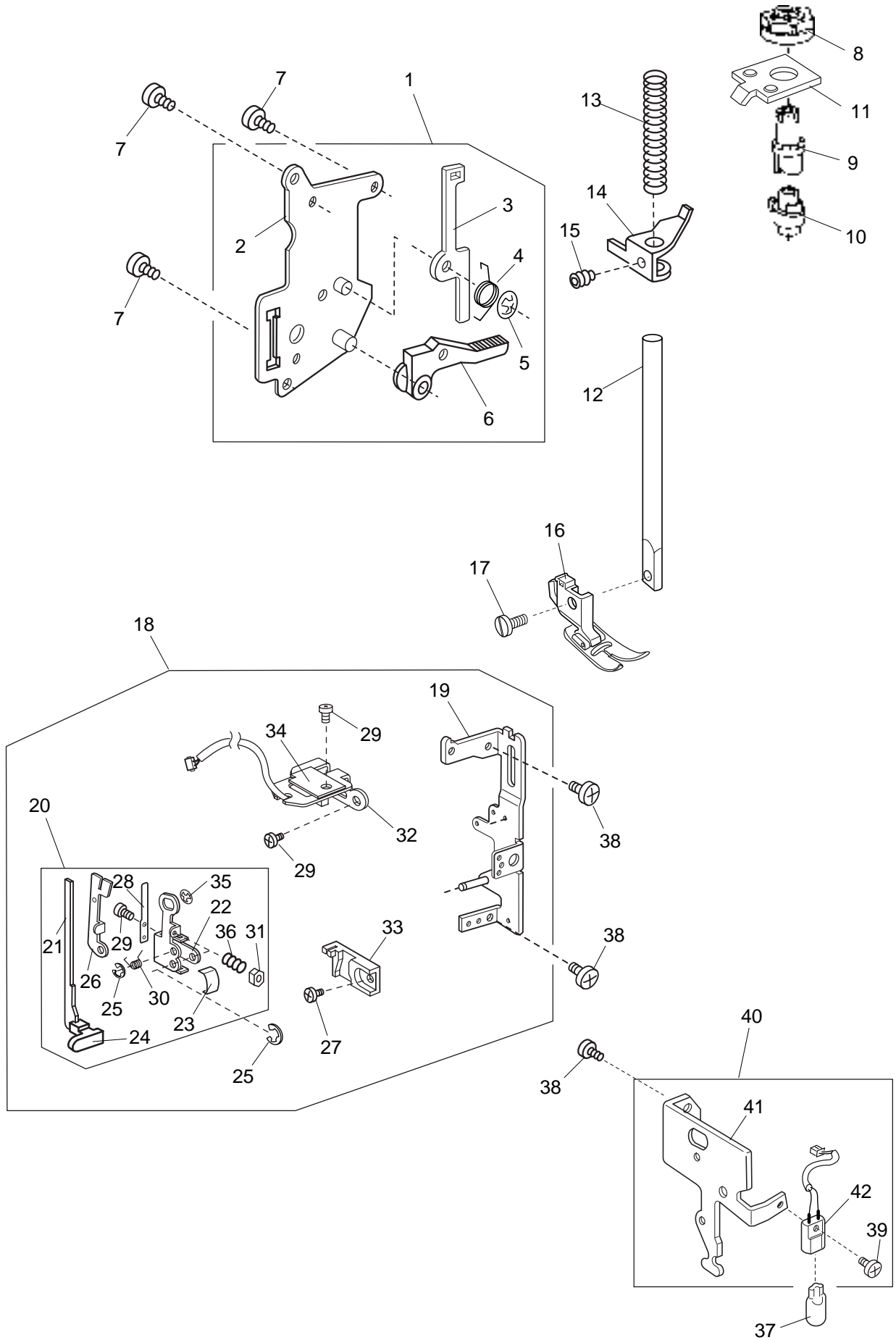
PARTS LIST



PARTS LIST

KEY PARTS		DESCRIPTION
NO.	NO.	
1	845605004	NEEDLE BAR SUPPORTER UNIT
2	827026021	NEEDLE BAR SUPPORTER
3	000111902	HEXAGONAL SOCKET SCREW 3 X 4
4	840646002	NEEDLE THREADER SHAFT UNIT
5	840036003	NEEDLE THREADER SHAFT
6	755643002	NEEDLE THREADER PLATE UNIT
7	000003508	SPRING PIN 2 X 8
8	840035002	NEEDLE THREADER SPRING
9	000125105	PIN
10	845041006	NEEDLE THREADER FRAME
11	840034001	NEEDLE THREADER LEVER
12	840037004	NEEDLE THREADER LEVER GUIDE
13	000078319	SETSCREW 3 X 6
14	503042008	NEEDLE BAR SUPPORTER PIN
15	000002507	SNAP RING E-4
16	000070609	WASHER
17	673022002	WASHER
18	653612003	NEEDLE BAR CONNECTING STUD COMPLETE UNIT
19	734625003	THREADER POSITION SET PLATE UNIT
20	734101008	THREADER POSITION SET PLATE
21	734102009	THREADER POSITION SET HOLDER
22	000097602	SETSCREW 2 X 4
23	653503103	NEEDLE BAR UNIT
24	829027006	SUPPORTER GUIDE PLATE
25	653504001	NEEDLE BAR CONNECTING STUD COMPLETE UNIT
26	650040005	FELT
27	650041006	FELT SET SPRING
28	000111201	HEXAGONAL SOCKET SCREW 4 X 4
29	827098002	WASHER
30	102408089	NEEDLE HA1 - 14
31	827083004	SUPPORTER GUIDE PIN
32	000002105	SNAP RING E-3
33	503645007	SUPPORTER ADJUSTING PLATE UNIT
34	503023003	SUPPORTER ADJUSTING PLATE
35	000216805	HEXAGONAL SOCKET SCREW 3X3
36	000093309	SETSCREW 4X14
37	503024004	ARM THREAD GUIDE
38	000078319	SETSCREW 3X6
39	845020009	NEEDLE BAR SUPPORTER SPRING
40	502175008	NEEDLE BAR SUPPORTER SPRING
41	845022001	PIN
42	503042008	PIN

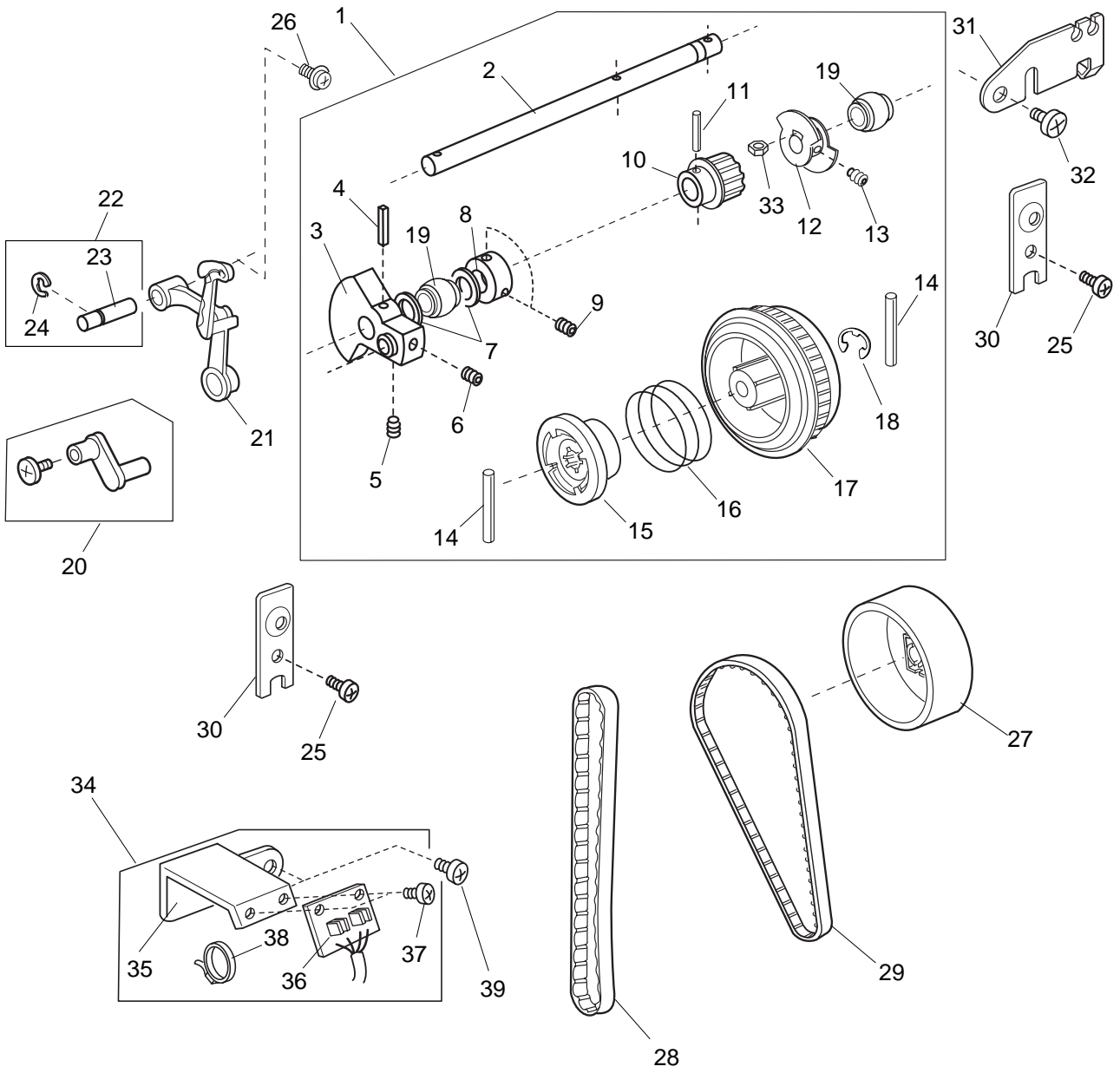
PARTS LIST



PARTS LIST

KEY NO.	PARTS NO.	DESCRIPTION
1	503607007	PRESSER BASE PLATE UNIT
2	503016003	PRESSER BASE PLATE
3	502023000	TENSION RELEASING LEVER
4	503041007	TENSION RELEASING SPRING
5	000014007	SNAP RING CS 4
6	502024001	PRESSER BAR LIFTER
7	000081005	SETSCREW 4 X 8
8	822065005	PRESSURE DIAL
9	686027007	PRESSURE ADJUSTING CAM (1)
10	686028008	PRESSURE ADJUSTING CAM (2)
11	503017004	PRESSURE ADJUSTING CAM HOLDER
12	102801008	PRESSER BAR
13	840129004	SPRING
14	502026003	PRESSER BAR SUPPORTER
15	000111500	HEXAGONAL SOCKET SCREW 4 X 8
16	660509008	PRESSER FOOT UNIT
17	763048006	SETSCREW
18	845603002	FRONT BASE PLATE UNIT
19	503018005	FRONT BASE PLATE
20	845604003	BH LEVER UNIT
21	845003006	BH LEVER
22	843030006	BH LEVER SUPPORTER
23	830279009	FRICITION SPRING
24	827094008	BH LEVER KNOB
25	000002105	SNAP RING E-3
26	843031007	BH SHIELD PLATE
27	000103808	SETSCREW 3 X 5
28	830055018	BH LEVER SPRING
29	000101105	SETSCREW 3X4
30	843032008	BH SHIELD PLATE SPRING
31	000160102	ADJUSTABLE NUT
32	845002005	SENSOR BASE PLATE
33	830057010	BH LEVER GUIDE
34	843502004	PRINT BOARD E1 UNIT
35	000014306	SNAP RING CS-3
36	000112006	HEXAGONAL SOCKET SCREW 3X8
37	000026002	LAMP
38	000101404	SETSCREW 4 X 6
39	000102900	SETSCREW 2X8
40	845602001	LAMP SET PLATE UNIT
41	503122003	LAMP SET PLATE
42	843508000	LAMP SOCKET UNIT

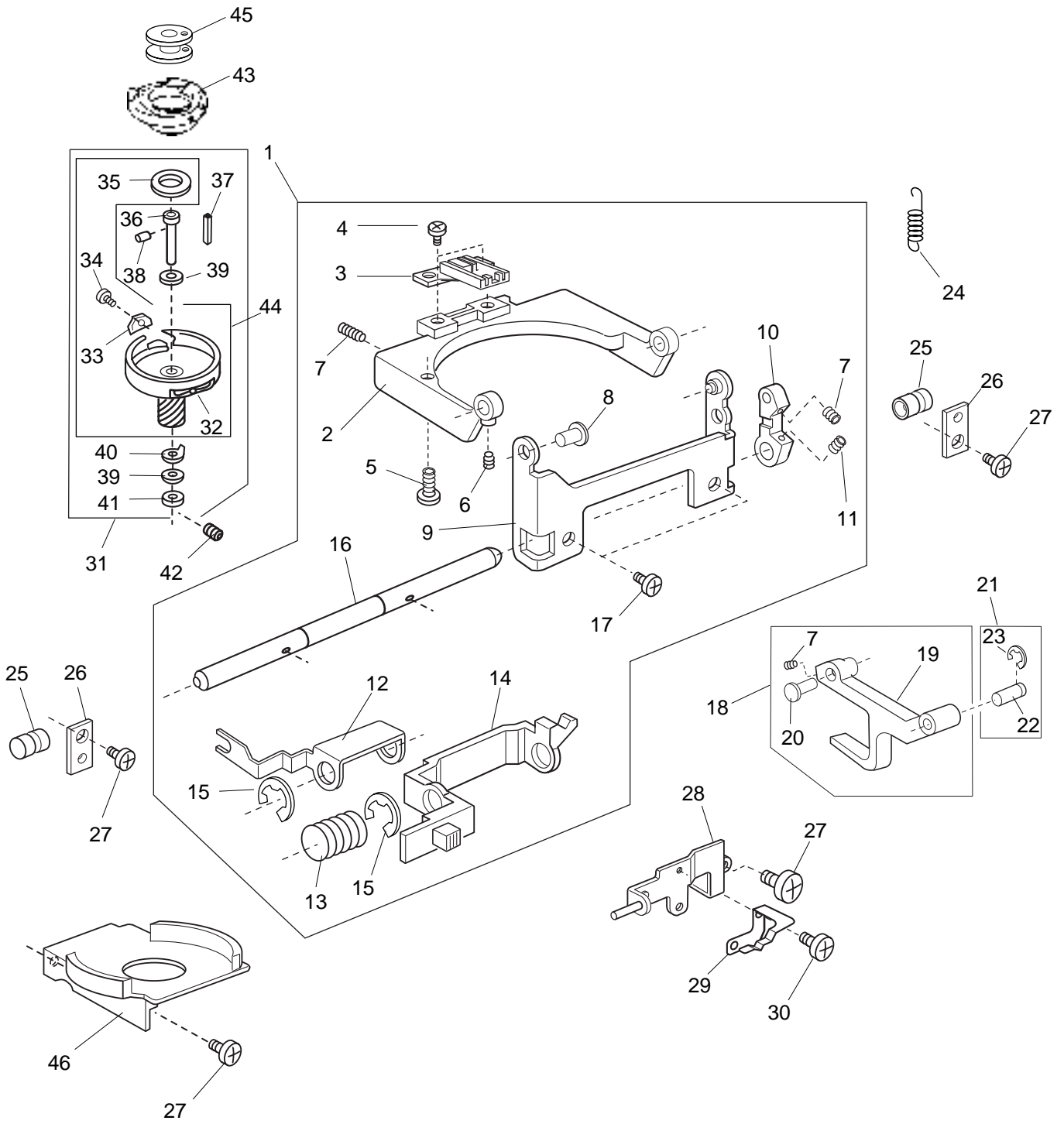
PARTS LIST



PARTS LIST

KEY NO.	PARTS NO.	DESCRIPTION
1	845606005	UPPER SHAFT COMPLETE UNIT
2	503036009	UPPER SHAFT
3	627184000	THREAD TAKE-UP CRANK
4	000020707	SPRING PIN 4 X 20
5	102073003	SETSCREW
6	761052007	SETSCREW
7	000038801	WASHER
8	639095000	RING
9	000111304	HEXAGONAL SOCKET SCREW 5 X 5
10	756017004	UPPER SHAFT TIMING GEAR
11	000020501	SPRING PIN 3 X 22
12	845004007	SHIELDING PLATE
13	000111108	HEXAGONAL SOCKET SCREW 4 X 6
14	000024206	SPRING PIN 3 X 30
15	502064003	CLUTCH RING
16	502065004	CLUTCH SPRING
17	502066005	BELT WHEEL
18	000030205	SNAP RING E-8
19	502002003	UPPER SHAFT SPHERICAL BUSHING
20	652512009	NEEDLE BAR CRANK PIN UNIT
21	820511108	THREAD TAKE-UP LEVER UNIT
22	503644006	THREAD TAKE-UP LEVER PIN UNIT
23	503113001	THREAD TAKE-UP LEVER PIN
24	000002806	SNAP RING E-6
25	000101301	SETSCREW 5 X 10
26	000114802	SETSCREW TP 4 X 12
27	503037000	HANDWHEEL
28	650071005	TIMING BELT
29	650166008	TIMING BELT
30	502067006	UPPER SHAFT METAL HOLDER
31	503127008	UPPER SHAFT BELT HOLDER
32	000081005	SETSCREW 4 X 8
33	000062402	NUT
34	845614006	UPPER SHAFT SENSOR UNIT
35	845005008	SENSOR HOLDER PLATE
36	843505100	CIRCUIT BOARD P UNIT
37	000101105	SETSCREW 3X4
38	000053008	CORD BINDER
39	000101404	SETSCREW 4X6

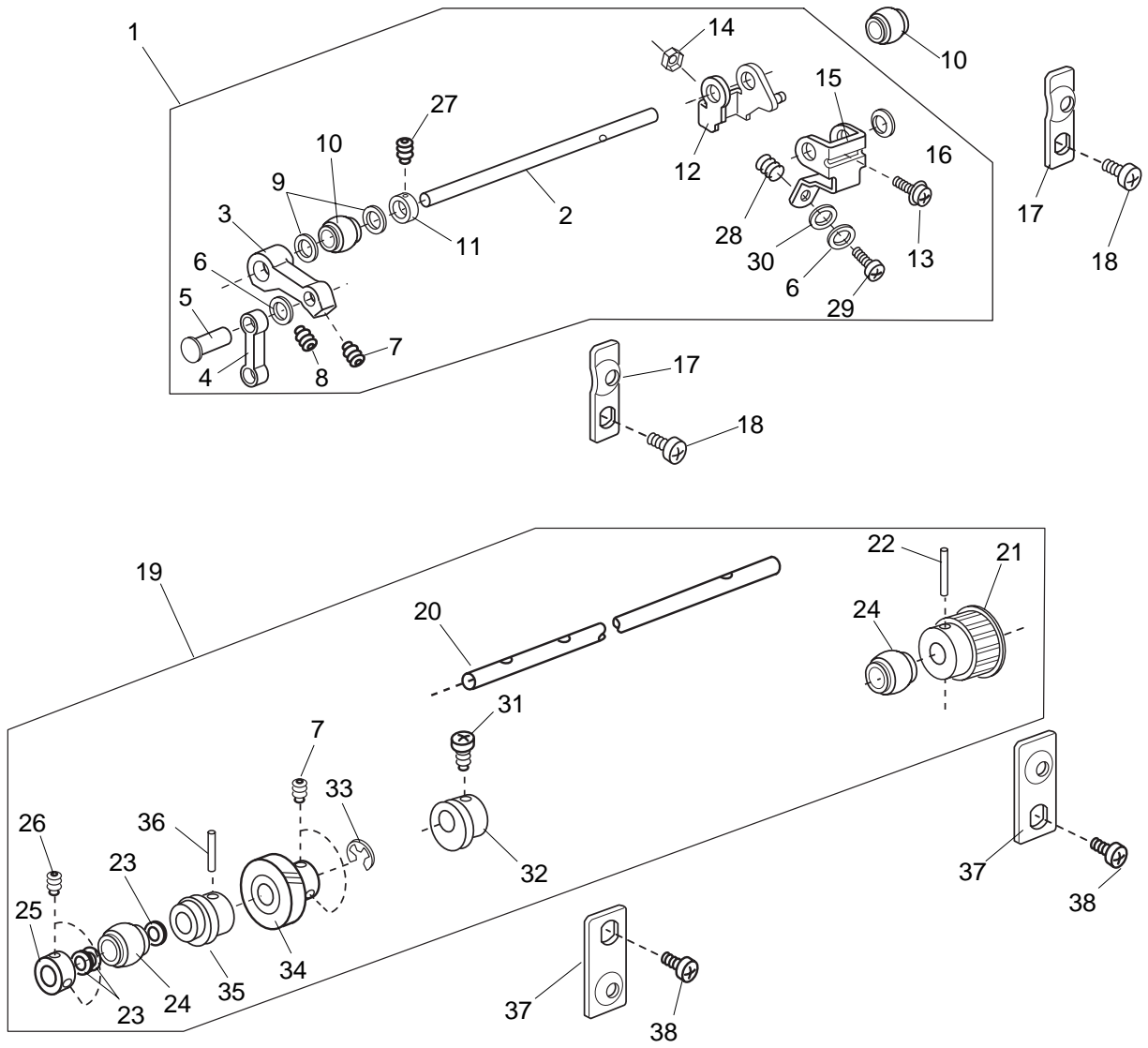
PARTS LIST



PARTS LIST

KEY PARTS		DESCRIPTION
NO.	NO.	
1	503686103	HORIZONTAL FEED SHAFT UNIT
2	503044000	HORIZONTAL FEED PLATE
3	840005003	FEED DOG
4	000101507	SETSCREW 3.5 X 5
5	502077009	FEED ADJUSTING SCREW
6	000111902	HEXAGONAL SOCKET SCREW 3 X 3
7	000111201	HEXAGONAL SOCKET SCREW 4 X 4
8	503114002	LINK PIN
9	502079207	HORIZONTAL FEED PLATE SUPPORTER
10	503045001	FEED ARM
11	000110901	HEXAGONAL SOCKET SCREW 5 X 4
12	503168001	DROP LEVER
13	502084009	SLIDING PLATE SPRING
14	502085000	FEED DOG DOWN LEVER
15	000002806	SNAP RING E-6
16	503047003	FEED SHAFT
17	000103509	SETSCREW 4 X 10
18	503635004	FORKED ROD UNIT
19	503048004	FORKED ROD
20	503140007	PIN (2)
21	503648000	CONNECTING PIN UNIT
22	650087004	CONNECTING PIN
23	000002507	SNAP RING E-4
24	503142009	SPRING
25	502089004	STRAIGHT CENTER
26	735085008	CENTER HOLDING PLATE
27	000101404	SETSCREW 4 X 6
28	503049005	GUIDE PLATE
29	503132006	LEVER PLATE SPRING
30	000101105	SETSCREW 3 X 4
31	845601000	HOOK UNIT
32	650950100	SHUTTLE BODY UNIT
33	822325006	NEEDLE GUARD
34	820373003	SETSCREW 2 X 3
35	627190010	HOOK RACE MAGNET
36	820123006	HOOK DRIVER SHAFT
37	820124007	HOOK SHAFT OIL FELT (1)
38	820125008	HOOK SHAFT OIL FELT (2)
39	000038409	WASHER
40	627192001	WASHER
41	625102008	WASHER
42	000111304	HEXAGONAL SOCKET SCREW 5 X 5
43	627569209	BOBBIN HOLDER UNIT
44	652623004	HOOK UNIT
45	102261000	BOBBIN
46	502071003	GEAR COVER

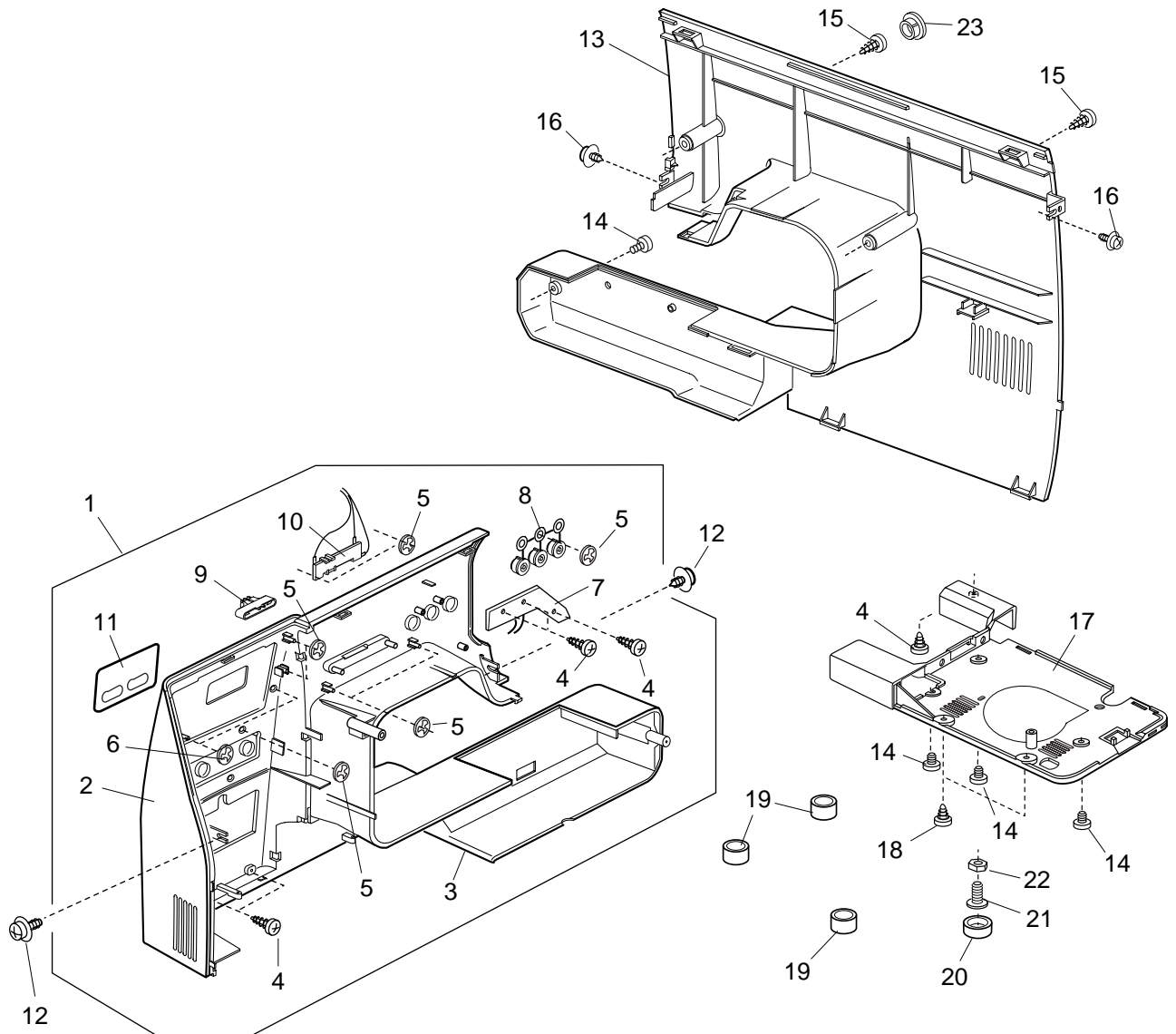
PARTS LIST



PARTS LIST

KEY NO.	PARTS NO.	DESCRIPTION
1	845608007	FEED REGULATOR SHAFT UNIT
2	503051103	FEED REGULATOR SHAFT
3	502093001	FEED REGULATOR LINK
4	650087004	FEED REGULATOR ROD
5	820144003	FEED REGULATOR LINK PIN (UPPER)
6	000036407	WASHER
7	000111201	HEXAGONAL SOCKET SCREW 4X4
8	000111304	HEXAGONAL SOCKET SCREW 5X5
9	000038409	WASHER
10	502003004	SPHERICAL BUSHING (FEED)
11	820387000	RING
12	845012008	FEED REGULATOR ARM 1
13	000115906	SETSCREW 3X12
14	000160102	ADJUSTABLE LOCK NUT
15	845013009	FEED REGULATOR ARM 2
16	810207004	SPRING WASHER
17	502096004	FEED SHAFT METAL HOLDER
18	000081005	SETSCREW 4X8
19	845607006	LOWER SHAFT UNIT
20	845043008	LOWER SHAFT
21	650073007	LOWER SHAFT TIMING GEAR
22	000004200	SPRING PIN 3X18
23	000038502	WASHER
24	732034003	LOWER SHAFT BUSHING
25	820166001	LOWER SHAFT RING
26	000111201	HEXAGONAL SOCKET SCREW 4X4
27	000111108	HEXAGONAL SOCKET SCREW 4X6
28	845015001	FEED REGULATOR ARM SPRING
29	845014000	FEED REGULATOR ARM SCREW
30	000071013	WASHER
31	000149600	SETSCREW 3X14
32	823026111	FEED CAM
33	000002909	SNAP RING E-7
34	650095002	LOWER SHAFT GEAR
35	503134008	FEED LIFTING CAM
36	000005407	PIN 3X12
37	502204007	LOWER SHAFT METAL HOLDER
38	000101301	SETSCREW 5X10

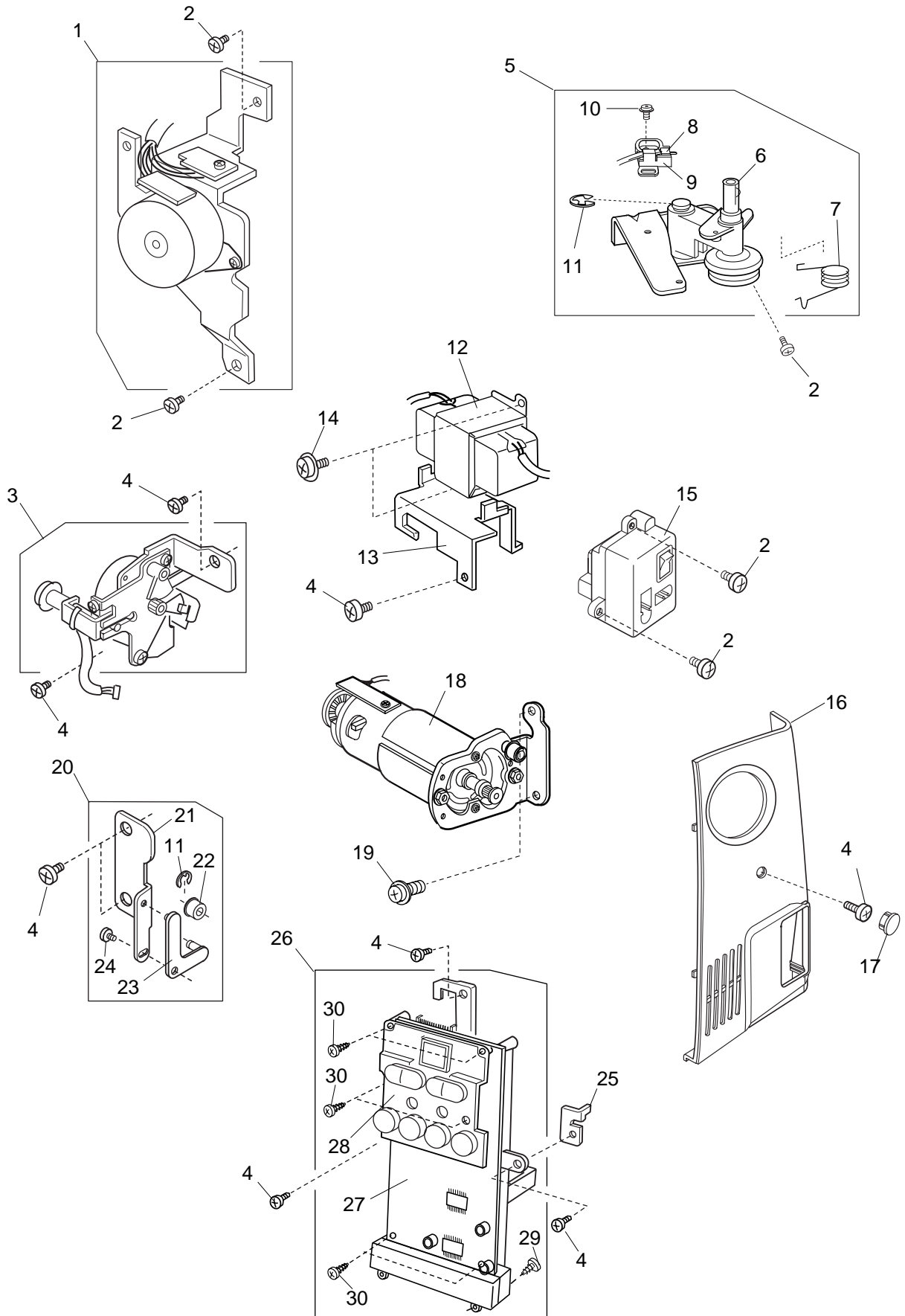
PARTS LIST



PARTS LIST

KEY NO.	PARTS NO.	DESCRIPTION
1	845613005	FRONT COVER UNIT
2	845024014	FRONT COVER
3	845025107	ORNAMENT PLATE
4	000120203	SETSCREW 3X8
5	000014007	SNAP RING CS-4
6	000014306	SNAP RING CS-3
7	845502000	BOARD-F UNIT
8	845031106	BUTTON1
9	845027006	SLIDER KNOB
10	653507093	SLIDE VOLUME UNIT
11	845026108	INDICATOR WINDOW
12	000115607	TP SCREW 4X8
13	503003122	REAR COVER
14	000081005	SETSCREW 4X8
15	000160308	TAPPING SCREW 4X20
16	000115205	TP SCREW 4X6
17	503002006	BASE
18	000161206	TAPPING SCREW 3X18
19	739064003	RUBBER FOOT
20	639005003	RUBBER FOOT
21	000201405	TP SCREW 4X16
22	000160102	ADJUSTABLE LOCK NUT 4
23	653006101	CAP

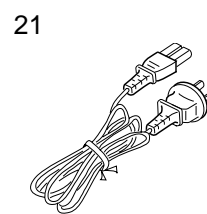
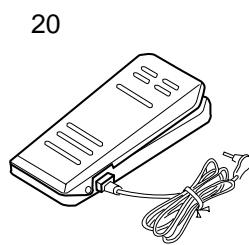
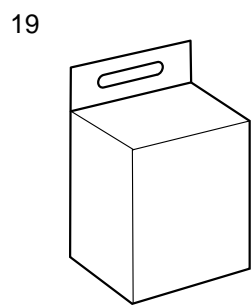
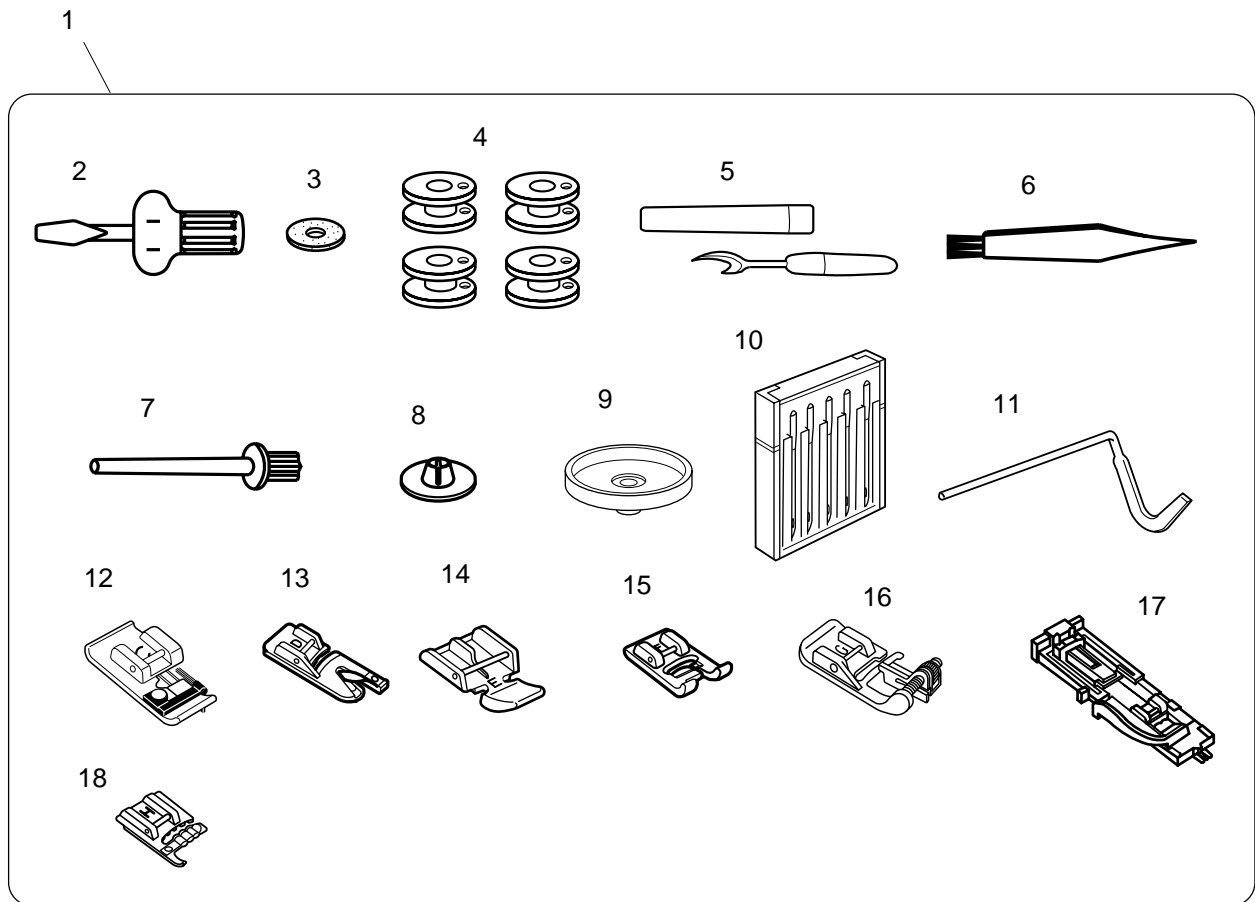
PARTS LIST



PARTS LIST

KEY NO.	PARTS NO.	DESCRIPTION
1	845612004	STEPPING MOTOR (ZZ) UNIT
2	000103509	SETSCREW 4X10
3	845609008	STEPPING MOTOR (FEED) UNIT
4	000081005	SETSCREW 4X8
5	503626105	BOBBIN WINDER UNIT
6	503508007	BOBBIN WINDER ARM UNIT
7	502185001	BOBBIN WINDER ARM SPRING
8	753507203	BOBBIN WINDER SWITCH UNIT
9	503133007	SWITCH MOUNTING PLATE
10	000114709	TP SCREW 3X6
11	000002806	SNAP RING E-6
12	845505003	TRANSFORMER UNIT (FOR 230-240V)
	843512007	TRANSFORMER UNIT (FOR 120V)
13	845037009	TRANSFORMER SUPPORTER
14	000115205	TP SCREW 4X6
15	845504002	MACHINE SOCKET UNIT (FOR 230-240V)
	843503001	MACHINE SOCKET UNIT (FOR 120V)
16	503105103	BELT COVER
17	653006101	CAP
18	845618000	MOTOR UNIT
19	000138503	HEXAGONAL BOLT 5X12
20	503614100	IDLER UNIT
21	502072107	IDLER MOUNTING PLATE
22	625217100	IDLER
23	503145002	IDLER BRACKET
24	000103705	SETSCREW 4X5
25	845042007	BOARD A SET PLATE
26	845615007	PRINT BOARD A BASE PLATE UNIT
27	845501009	PRINT BOARD A UNIT
28	845616008	SWITCH BASE UNIT
29	000120203	TAPPING SCREW 3X8
30	000161309	TAPPING SCREW 3X12

PARTS LIST



PARTS LIST

KEY NO.	PARTS NO.	DESCRIPTION
1	503870003	ACCESSORY SET
2	820832005	SCREWDRIVER
3	102403109	FELT
4	102261000	BOBBIN
5	647808009	SEAM RIPPER
6	802424004	BRUSH
7	625031500	ADDITIONAL SPOOL PIN
8	822019509	SPOOL HOLDER (SMALL)
9	829803004	SPOOL STAND
10	540401026	NEEDLE SET
11	802422002	QUILTING BAR
12	820804019	OVEREDGE FOOT
13	820809014	HEMMER FOOT
14	829801002	ZIPPER FOOT
15	822804118	SATIN STITCH FOOT
16	820817015	BLIND STITCH FOOT
17	753801004	AUTOMATIC BH FOOT R
18	820819006	CORDING FOOT
19	200100007	QUILTING ATTACHMENT
20	033570318	FOOT CONTROL
21	830314018	POWER SUPPLY CORD (FOR AUSTRALIA)
	830335004	POWER SUPPLY CORD (FOR 230V)
	830377008	POWER SUPPLY CORD (FOR U.K.)
	653524007	POWER SUPPLY CORD (FOR 120V)