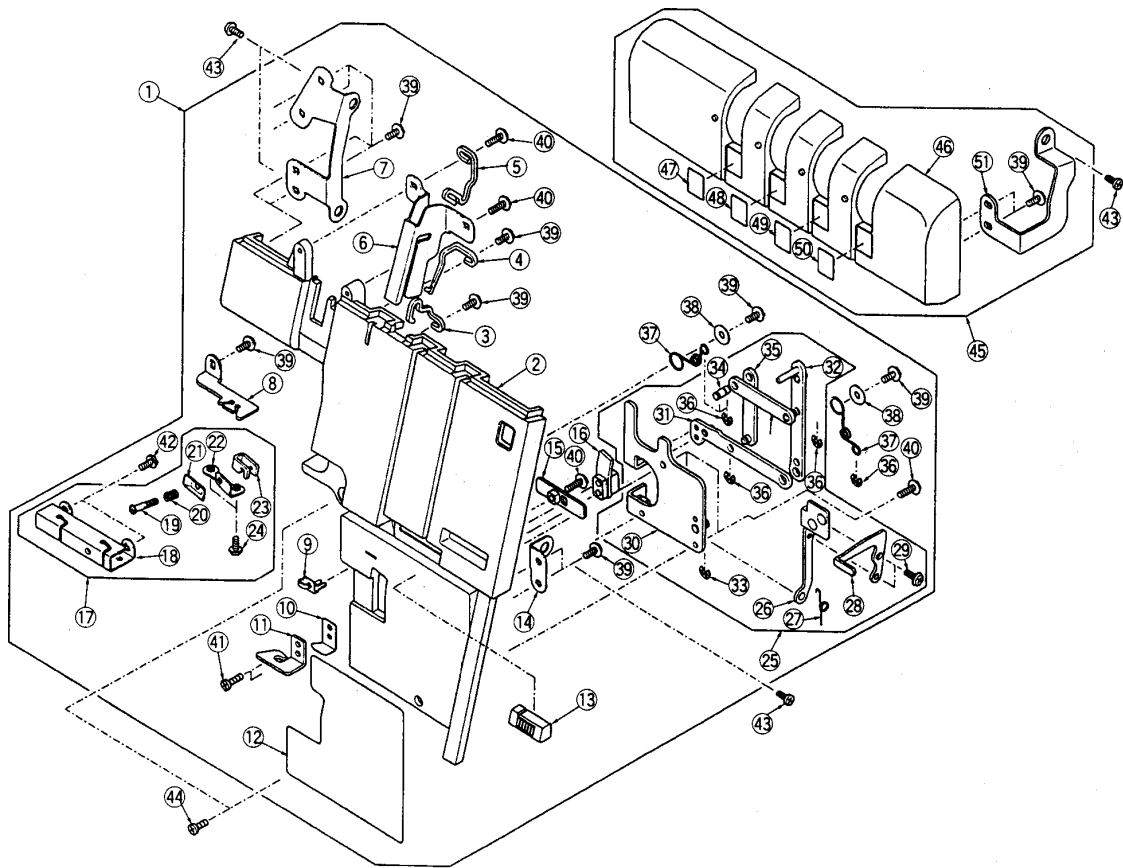


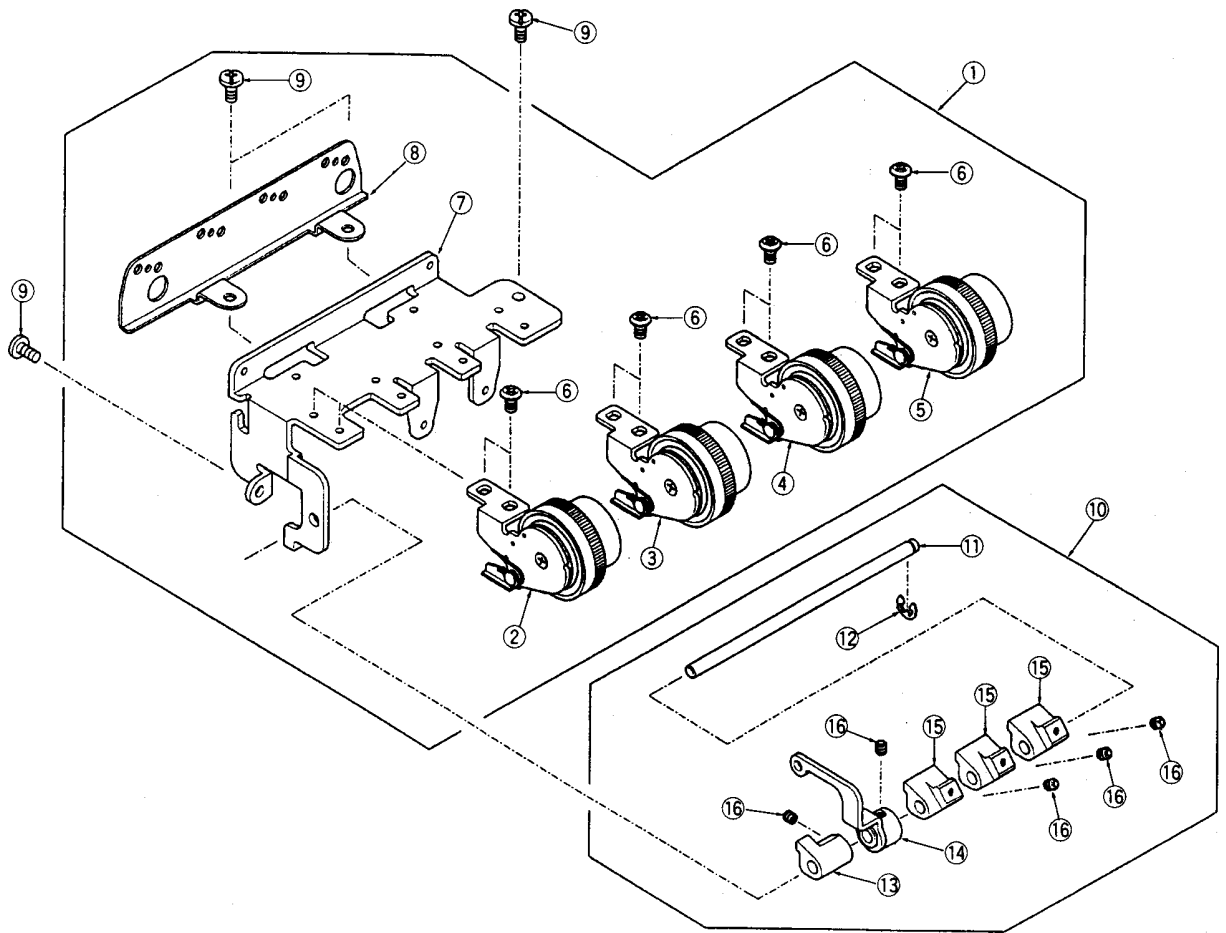
PARTS LIST

MYLOCK 634D

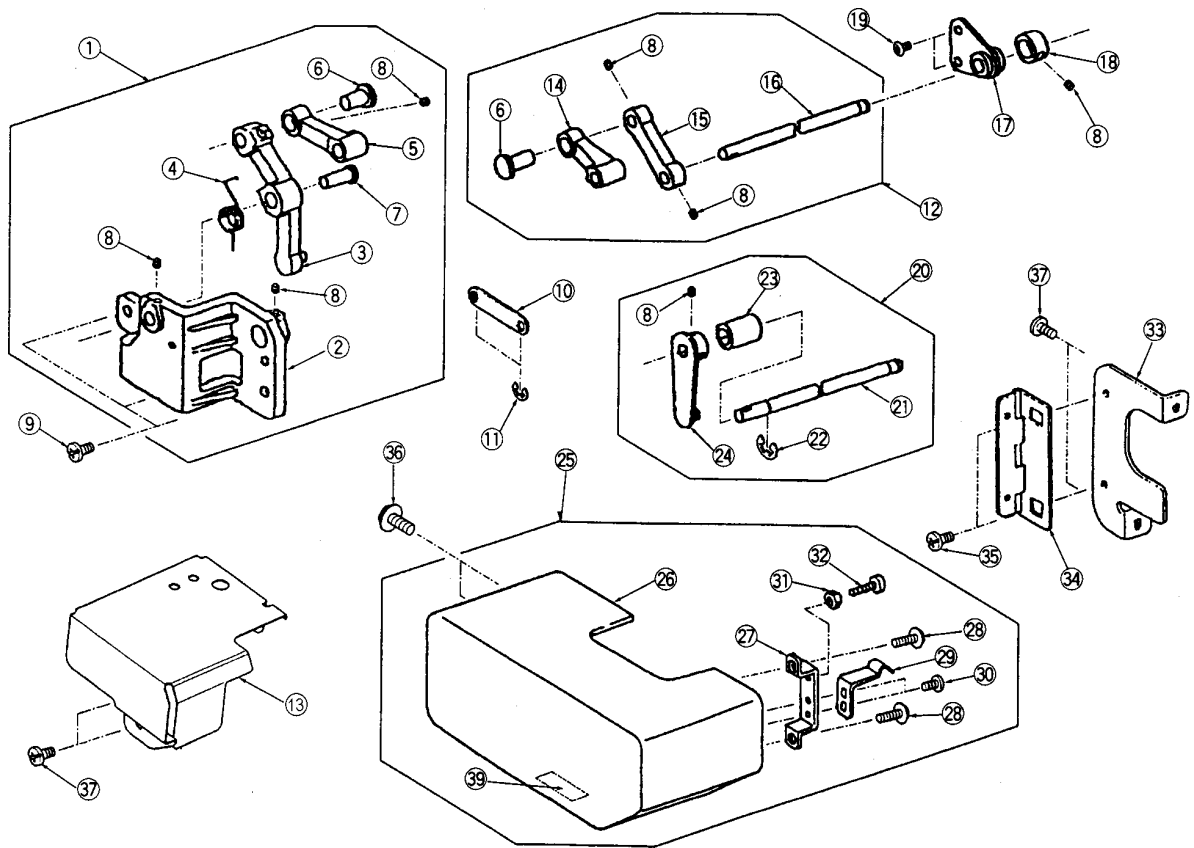
Specification code : 788701001 (JA, T-23364)
788702002 (JAI)
788703003 (JCA)
788704004 (JUK)
788706006 (Germany)



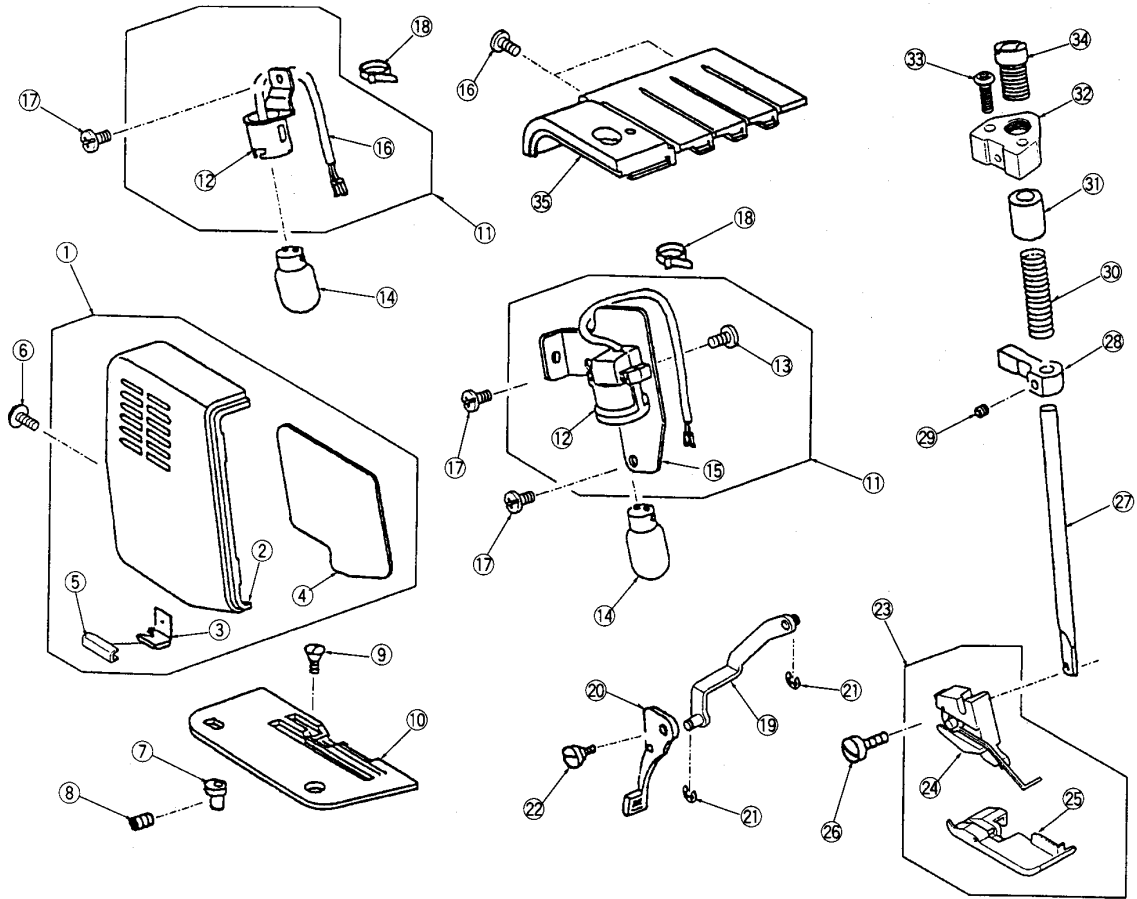
Ref. No.	Part No.	Name
1	788614006	Panel cover unit for Australia, Great Britain, U.S.A. & Canada.
	788614109	Panel cover unit for Germany
2	788057201	Panel cover for Australia, Great Britain, Canada & U.S.A.
	788057304	Panel cover for Germany
3	788062003	Needle thread guide
4	788060001	Thread guide (R)
5	788061002	Thread guide (L)
6	788059007	Thread take-up lever cover
7	788058006	Panel set plate
8	788063004	Needle thread guide
9	787131001	Upper looper thread guide
10	788094004	Thread guide spring
11	788066007	Thread guide
12	788090000	Threading chart
13	788064005	Slider
14	788099009	Panel cover set plate
15	788065006	Slider set plate
16	788067008	Thread guide set plate
17	788615007	Looper thread guide unit
18	788068009	Looper thread guide
19	788072006	Thread tension screw
20	788071005	Sub thread tension spring
21	788070004	Sub thread tension plate
22	788069000	Sub thread tension set plate
23	788092002	Thread tension screw set plate
24	000101116	Setscrew
25	788616008	Sub thread tension holding plate unit
26	788078002	Thread tension release plate (1)
27	788073007	Thread tension release spring
28	788079003	Thread tension release plate (2)
29	000101105	Setscrew
30	788074008	Sub thread tension holding plate
31	788076000	Thread tension connecting link (1)
32	788075009	Thread tension connecting link (2)
33	000002507	Snap ring
34	788080007	Thread tension connecting Pin
35	788077001	Thread tension connecting link (3)
36	000002105	Snap ring
37	788081008	Spring
38	000070506	Washer
39	000149301	Set screw
40	000149002	Set screw
41	000104913	Setscrew
42	000078319	Set screw
43	000101404	Set screw
44	000103417	Set screw
45	788617009	Tension cover unit for Australia, Great Britain, Canada & U.S.A.
	788617205	Tension cover unit for Germany
46	788082205	Tension cover for Australia, Great Britain, Canada & U.S.A.
	788082401	Tension cover for Germany
47	787143051	Seam guide (Left needle)
48	787143154	Seam guide (Right needle)
49	787143257	Seam guide (Upper looper)
50	787143350	Seam guide (Lower looper)
51	788083000	Tension cover set plate



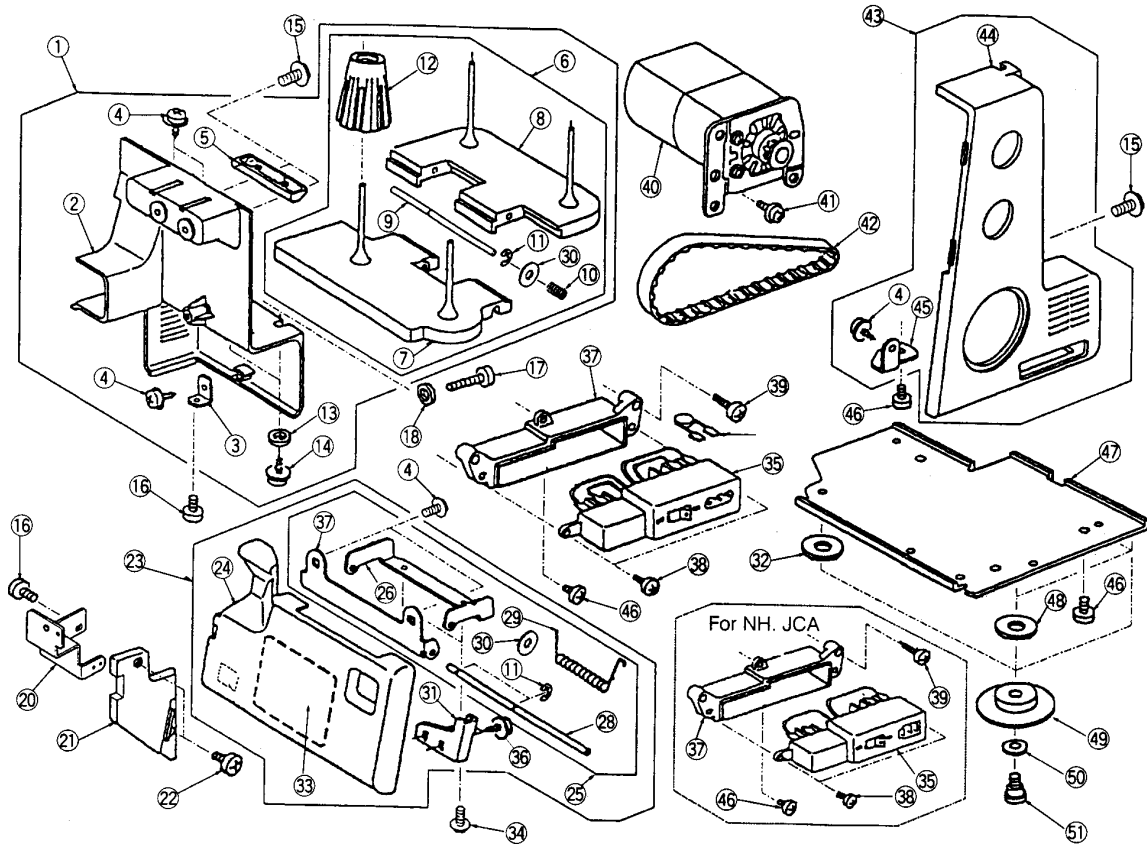
Ref. No.	Part No.	Name
1	788612004	Thread tension dial set plate unit
2	788503001	Left needle thread tension dial unit
3	788504002	Right needle thread tension dial unit
4	788505003	Upper looper thread tension dial unit
5	788506004	Lower looper thread tension dial unit
6	810220003	Set screw
7	788049004	Thread tension dial set plate
8	787129006	Tension thread guide plate
9	000101404	Setscrew
10	788613005	Thread tension release shaft unit
11	788054002	Thread tension release shaft
12	000002507	Snap ring
13	788056004	Cam link
14	788055003	Thread tension release lever
15	788095005	Cam link (2)
16	000111201	Hexagon socket screw



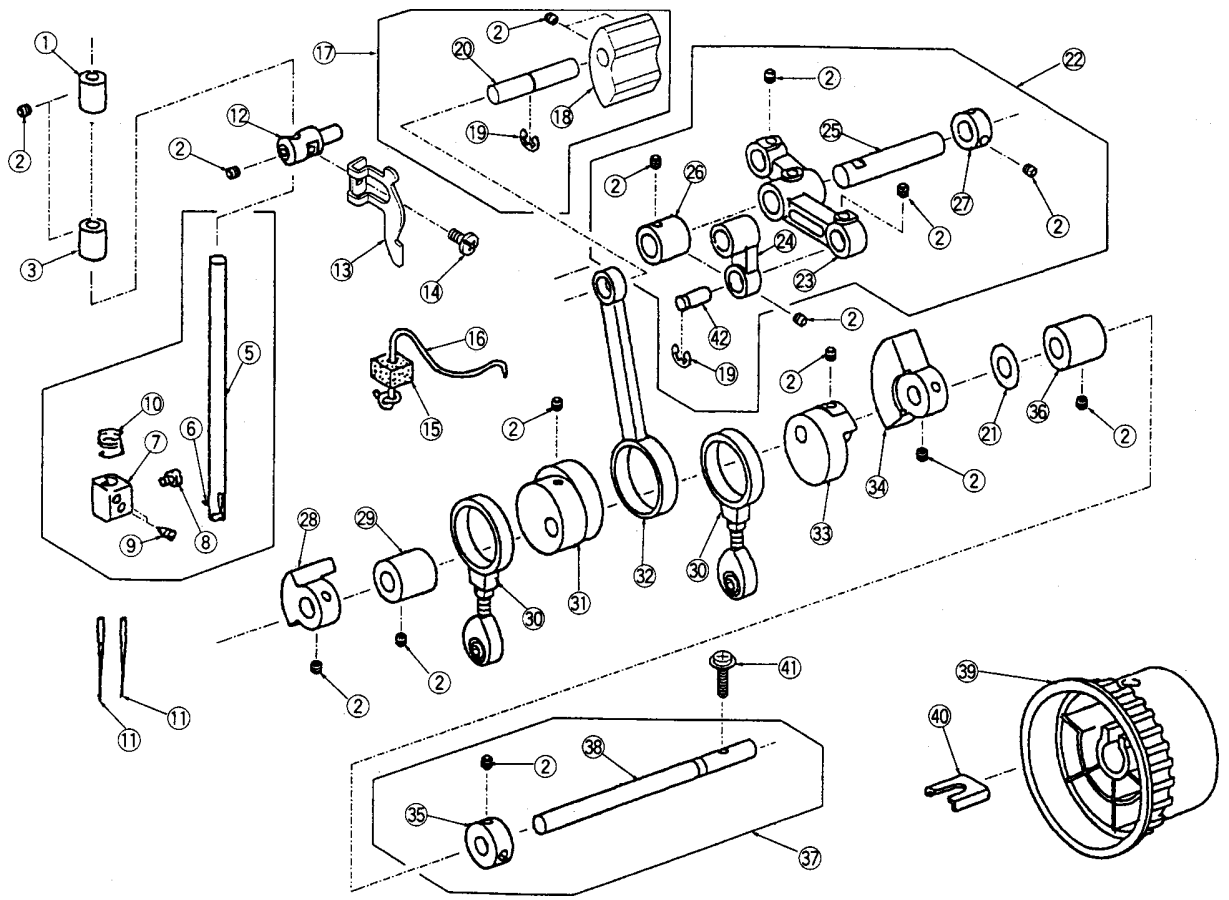
Ref. No.	Part No.	Name
1	787656007	Feed regulator unit
2	787074005	Feed regulator
3	787194002	Sub feed connecting arm (3)
4	787301004	Sub feed connecting arm spring
5	787067005	Feed bar link
6	787195003	Pin
7	787076007	Connecting arm pin
8	000111201	Hexagon socket screw
9	000103509	Set screw
10	787081005	Feed connecting link
11	000002105	Snap ring
12	787613006	Main feed connecting arm (2) unit
13	787356004	Cover Plate
14	787067005	Feed bar link
15	787078009	Main feed connecting arm (2)
16	787198006	Main connecting shaft
17	787077008	Connecting arm supporter
18	650136009	Ring
19	810220003	Screw
20	787655109	Main feed connecting arm (B) unit
21	787270003	Sub feed connecting arm (B)
22	000001609	Snap ring
23	625144002	Feed bar bushing (front)
24	787193001	Main feed connecting arm (2)
25	787628000	Side cover unit for Australia
	787628103	Side cover unit for Canada
	787628206	Side cover unit for U.S.A.
26	787161000	Side cover
27	787162001	Spring set plate
28	000149301	Set screw
29	787163002	Spring
30	000078319	Set screw
31	000160009	Adjustable nut
32	000104902	Set screw
33	787165004	Hinge
34	787507002	Side cover hinge unit
35	000101404	Setscrew
36	000115700	Set screw
37	000081005	Screw



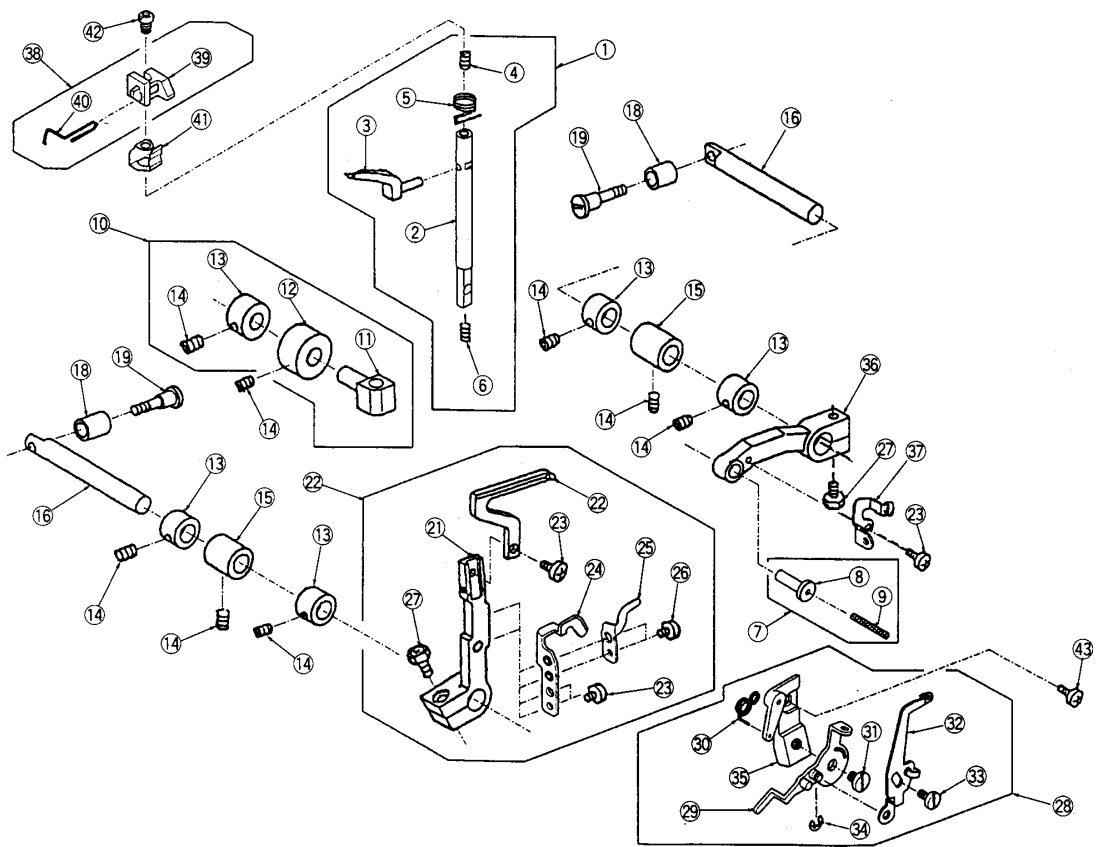
Ref. No.	Part No.	Name
1	787608004	Face plate unit for Great Britain
	787608107	Face plate unit for Australia, Canada & U.S.A.
2	787030009	Face plate for Australia, Great Britain, Canada & U.S.A.
3	840602006	Thread cutter unit (822532008)
4	787031000	Reflecting sticker
5	753235001	Thread cutter cover
6	000115700	Setscrew
7	789100007	Eccentric pin (784004007)
8	000111902	Hexagon socket screw
9	681009008	Flat head set screw
10	788601000	Needle plate unit
11	787510008	Lamp socket unit for U.S.A.
	787631006	Lamp socket unit for Australia
	787633008	Lamp socket unit for Canada
12	655681434	Lamp socket (787502007) for Australia
13	000161000	Set screw
14	000009803	Light bulb for U.S.A. & Canada
	000009009	Light bulb 240V. 15W. BA-15D for Australia, Great Britain & Continental Europe
15	787026002	Lamp socket set plate for U.S.A. & Canada
16	000103417	Set screw
17	000101404	Setscrew
18	000053008	Binder
19	788089006	Thread releasing lever
20	650032015	Presser bar lifter
21	000002105	Snap ring
22	810431009	Hinge screw
23	788501009	Presser foot unit
24	787541008	Foot holder unit
25	788502000	Presser foot (lower) unit
26	763048006	Set screw
27	787019002	Presser bar
28	724118007	Presser bar bracket
29	000111304	Hexagon socket screw
30	787020006	Presser bar spring
31	777002001	Bushing
32	78800S008	Presser adjusting screw bracket
33	000104706	Screw
34	777013005	Presser adjusting screw
35	787160009	Top cover



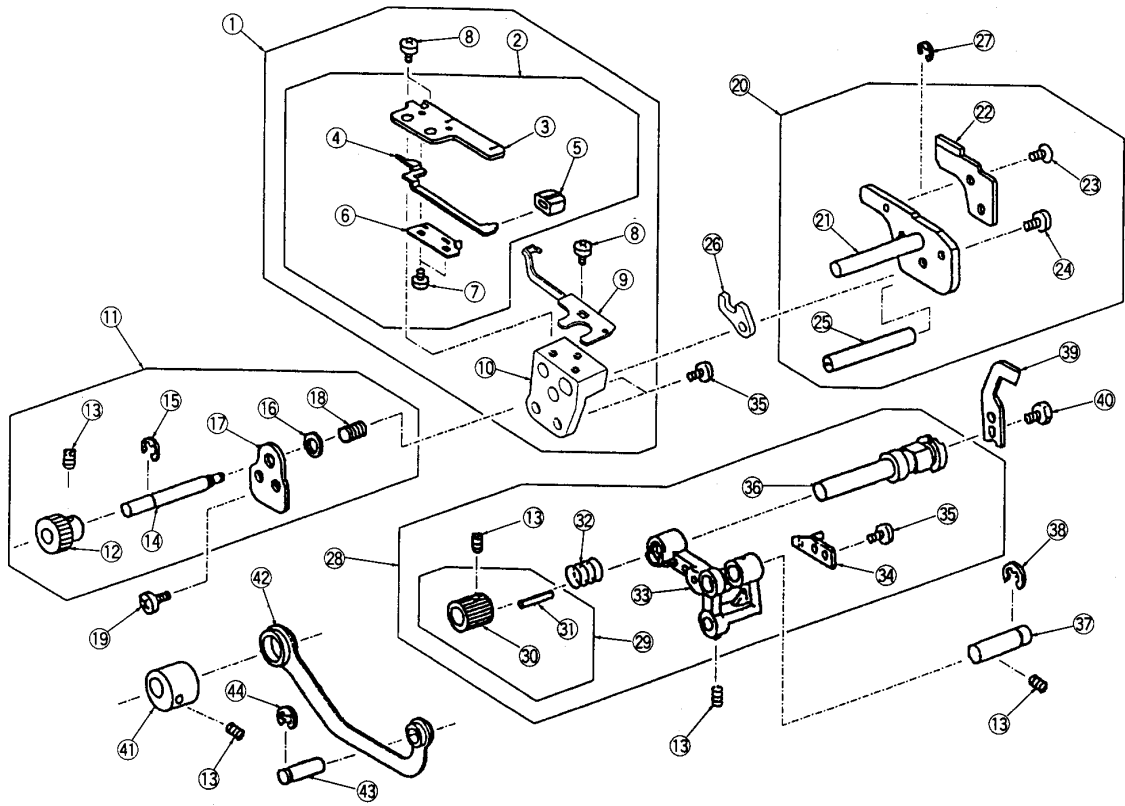
Ref. No.	Part No.	Name
1	787623005	Rear cover unit for Germany
	787623304	Rear cover unit for Australia, Great Britain, Canada & U.S.A.
2	787145008	Rear cover for Australia, Great Britain, Canada & U.S.A.
	787145204	Rear cover for Germany
3	787174006	Back cover set plate
4	000149301	Set screw
5	787173005	Finger guard
6	787624006	Spool stand unit
7	787147000	Spool stand
8	787148001	Sub spool stand
9	787149002	Spool stand connecting pin
10	787201003	Spring
11	000002105	Snap ring
12	784223105	Spool holder
13	000070506	Washer
14	000149002	Setscrew
15	000115618	Setscrew
16	000081005	Set screw
17	000103211	Set screw
18	000070528	Washer
20	788085002	Looper cover guide set plate
21	788086003	Looper cover guide
22	000078320	Set screw
23	787625052	Looper cover unit for Australia & Great Britain
	787625155	Looper cover unit for Canada
	787625258	Looper cover unit for U.S.A.
	787625351	Looper cover unit for Germany
24	787150501	Looper cover for Australia
25	787626008	Looper cover hinge unit
26	787151007	Looper cover supporter
27	787152008	Looper cover hinge
28	784121010	Looper cover hinge pin
29	784122000	Looper cover hinge spring
30	000071013	Washer
31	787181006	Looper cover set plate
32	787204006	Washer (for left front leg)
33	787188006	Caution sticker
34	000115205	Setscrew
35	787508106	Machine socket unit for U.S.A. & Canada
	784508129	Machine socket unit for Australia
36	000115205	Set screw
37	784128028	Machine socket cover
38	000121905	Set screw
39	000104108	Set screw
40	M-1031A	Motor unit for Canada
	M-1049A	Motor unit for U.S.A.
	M-2068	Motor unit for Continental Europe
	M-2093A	Motor unit for Australia & Great Britain
41	000115504	Set screws
42	784124002	Timing belt
43	787627009	Belt cover unit
44	787157003	Belt cover
45	787158004	Belt cover set plate
46	000081005	Set screw
47	787156002	Base plate
48	785260004	Washer
49	784135006	Cushion
50	000070300	Washer
51	784169009	Hinge screw (Large)



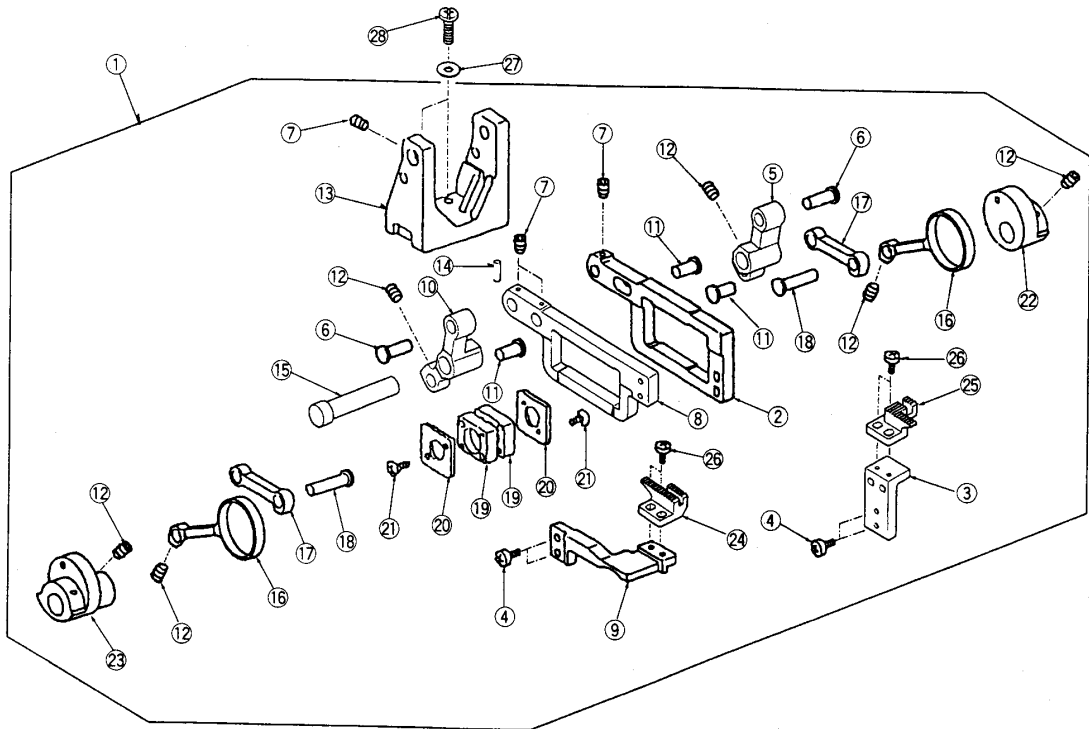
Ref. No.	Part No.	Name
1	784027004	Bushing
2	000111201	Hexagon socket screw
3	784028005	Bushing
4	787606002	Needle bar unit
5	787015008	Needle bar
6	000022307	Pin
7	785004020	Needle bar clamp
8	785026017	Set screw
9	785008024	Needle set screw
10	785009003	Needle bar thread guide
11	784157015	Needle HA-1 SP 14
12	784024001	Connecting stud
13	788004007	Take up lever
14	000078319	Set screw
15	787027003	Felt (1)
16	763033020	String
17	787686006	Needle bar balance weight unit
18	787347002	Needle bar balance weight
19	000001609	Snap ring
20	787346001	Needle bar balance weight pin
21	000038605	Washer
22	787604000	Needle bar crank unit
23	787021007	Needle bar crank
24	787146009	Needle bar link
25	787010003	Needle bar crank shaft
26	787011004	Ring
27	624245001	Ring
28	787177009	Balance weight (left)
29	784310007	Bushing
30	784602009	Looper cam ring unit
31	787007100	Needle bar cam
32	784011005	Needle bar crank rod
33	787004107	Upper looper cam
34	787176008	Balance weight (right)
35	619006002	Ring
36	784009000	Bushing
37	787670007	Main shaft unit
38	787345000	Main shaft
39	787175007	Balance wheel
40	787114008	Balance wheel set plate
41	000114802	Setscrew
42	784022009	Link pin



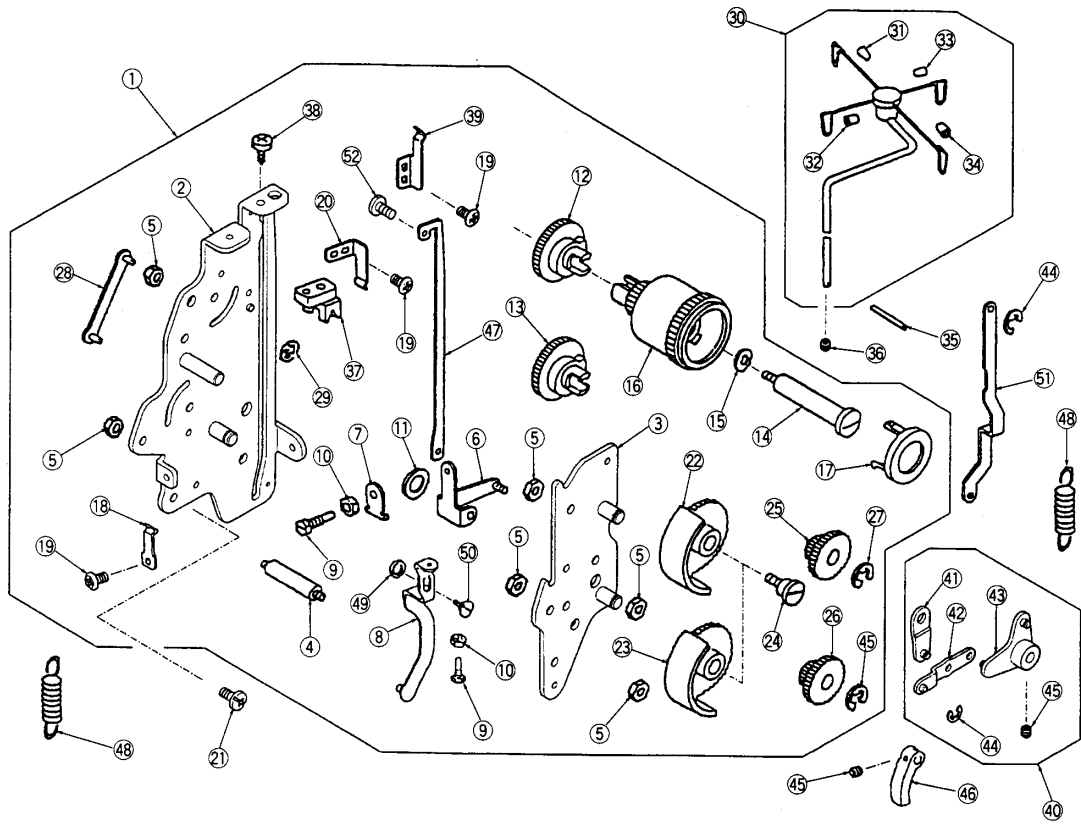
Ref. No.	Part No.	Name
1	788609008	Upper looper drive shaft unit
2	788039001	Upper looper drive shaft
3	784076019	Upper looper
4	000112501	Hexagon socket screw
5	784077009	Upper looper thread guide (3)
6	000177205	Hexagon socket screw
7	787632007	Upper looper pin unit
8	787115009	Upper looper pin
9	787192000	String
10	787619008	Upper looper shaft guide unit
11	787112006	Upper looper shaft guide
12	787113007	Bushing
13	787106007	Ring
14	000111201	Hexagon socket screw
15	787104005	Bushing
16	787105006	Upper looper crank shaft
18	787107008	Crank ring
19	787108009	Hinge screw
20	788610002	Lower looper unit
21	785024107	Lower looper drive arm
22	784083606	Lower looper
23	000078320	Set screw
24	788042007	Rear needle guard
25	785023003	Front needle guard
26	000099006	Hexagon socket screw
27	000138008	Bolt
28	788611003	Thread guide supporter unit
29	788044009	Thread guide (2)
30	788046001	Lower looper spring
31	788047002	Hinge screw
32	788045000	Thread guide (3)
33	788048003	Hinge screw
34	000002105	Snap ring
35	788043008	Thread guide supporter
36	787109000	Upper looper driving arm
37	788038000	Upper looper thread guide
38	788618000	Spreader unit
39	788087004	Spreader base
40	788088005	Spreader
41	788040005	Spreader base plate
42	788041006	Set screw
43	000101415	Set screw



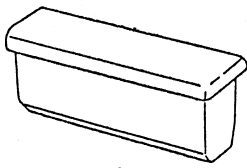
Ref. No.	Part No.	Name
1	788604003	Chaining finger set plate unit
2	788605004	Chaining finger unit
3	788016002	Chaining finger set plate
4	788017003	Chaining finger
5	787041003	Needle plate selling knob
6	788018004	Chaining finger spring
7	820373003	Set screw
8	000078320	Set screw
9	788019005	Fixed needle guard
10	788015001	Chaining finger bracket
11	788619001	Chaining finger bracket unit
12	787050005	Lower knife release knob
13	000111201	Hexagon socket screw
14	788020009	Lower knife adjusting bar
15	000002507	Snap ring
16	000070300	Washer
17	787046008	Guide plate
18	787048000	Spring
19	000081005	Set screw
20	788603002	Lower knife unit
21	788012008	Lower knife set plate
22	788013009	Lower knife
23	000102221	Setscrew
24	000114710	Setscrew
25	788014000	Lower knife shaft
26	788021000	Nut
27	000001207	Snap ring
28	788602001	Upper knife drive arm unit
29	784607•E	Upper knife knob unit
30	784044007	Upper knife knob
31	000003601	Spring pin
32	784043006	Spring
33	788097007	Upper knife drive arm
34	784041004	Upper knife guide
35	810220003	Set screw
36	788009002	Upper knife supporter
37	787022008	Pin
38	000002909	Snap ring
39	788011007	Upper knife
40	624303008	Hexagon bolt
41	788008001	Upper knife drive cam
42	787032001	Upper knife connecting rod
43	787012005	Pin
44	000001609	Snap ring



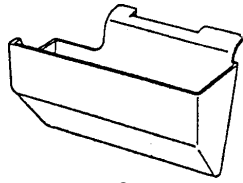
Ref. No.	Part No.	Name
1	788606005	Feed bar unit
2	788022001	Main feed bar
3	788023002	Main feed dog bracket
4	000104201	Set screw
5	787054009	Main feed bar drive arm
6	787055000	Pin
7	000111902	Hexagon socket screw
8	788024003	Sub feed bar
9	788025004	Sub feed dog bracket
10	787212007	Sub feed driving arm
11	787059004	Pin
12	000111201	Hexagon socket screw
13	787305008	Feed bar base
14	000122803	Pin
15	787306009	Feed driving arm pin
16	787065003	Feed bar link
17	787066004	Feed rocking link
18	787068006	Pin
19	787210005	Block
20	787071002	Set plate
21	787189004	Set screw
22	787072003	Main feed drive cam
23	787073004	Sub feed drive cam
24	789018007	Sub feed dog (788028007)
25	788027006	Main feed dog
26	000066705	Set screw
27	000070506	Washer
28	000101817	Setscrew



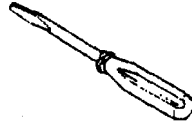
Ref. No.	Part No.	Name
	788608007	Feed adjuster bracket unit
2	788033005	Frame (1)
3	788034006	Frame (2)
4	785375003	Pin
5	000061205	Nut
6	787089003	Feed adjuster arm
7	785156006	Base plate
8	787264004	Differential feed adjuster arm
9	785224006	Adjusting screw
10	000160102	Adjustable nut 4
11	000036500	Washer
12	787091008	Feed adjuster cam
13	788036008	Differential feed adjuster cam
14	785218007	Dial shaft
15	000116206	Washer
16	785309109	Dial
17	785221106	Dial cover
18	787263003	Index spring (1)
19	000081119	Setscrew
20	787093000	Index spring (2)
21	000081005	Set screw
22	785315500	Stitch length indicator
23	785315706	Differential feed indicator
24	785380001	Hinge screw
25	785313003	Teethed wheel
26	785381002	Intermediate teethed wheel
27	000001609	Snap ring
28	788037009	Connecting rod
29	000014306	Snap ring
30	787616005	Thread guide bar unit
31	787190008	Thread guide cap
32	787190101	Thread guide cap
33	787190204	Thread guide cap
34	787190307	Thread guide cap
35	787097004	Pin
36	000111902	Hexagon socket screw
37	787095002	Thread guide bar stopper
38	000161206	Setscrew
39	787099006	Spring
40	788607006	Main feed connecting arm unit
41	788031003	Differential regulating arm
42	788030002	Feed connecting plate
43	788029008	Main feed connecting arm
44	000002105	Snap ring
45	000111201	Hexagon socket screw
46	788032004	Sub feed connecting arm
47	787191009	Set plate
48	787259006	Differential feed spring
49	785222004	Set plate
50	785286006	Hinge screw
51	787102003	Feed rod
52	000101105	Setscrew



1



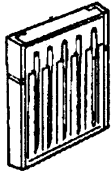
2



3



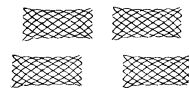
4



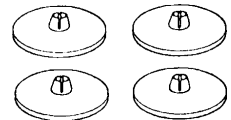
5



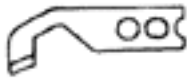
6



7



8



9



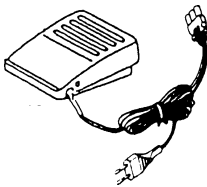
10



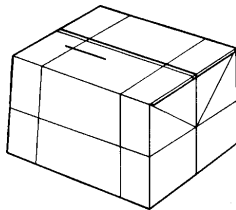
11



12



13



14



15

Ref. No.	Part No.	Name
1	787172004	Accessory box
2	787171106	Dust box
3	784810002	Screwdriver (large)
4	647803004	Screwdriver (small)
5	784860100	Set of needles
6	802424004	Lint brush
7	624806006	Net
8	822020503	Spool holder
9	788011007	Upper knife
10	741814003	Oiler with oil
11	784809008	Spanner
12	624801001	Tweezers
13	C-1017	Foot control for U.S.A.
	C-1018	Foot control for Canada
	C-2030	Foot control for Australia
	C-2038	Foot control for Continental Europe
	C-2044	Foot control for Great Britain
14	785808000	Dust cover
15	788800001	Instruction book (English)
	788800012	Instruction book (Spanish)
	788800034	Instruction book (French)
	788800104	Instruction book (German)
	788800115	Instruction book (Russian)
	788800148	Instruction book (Dutch)