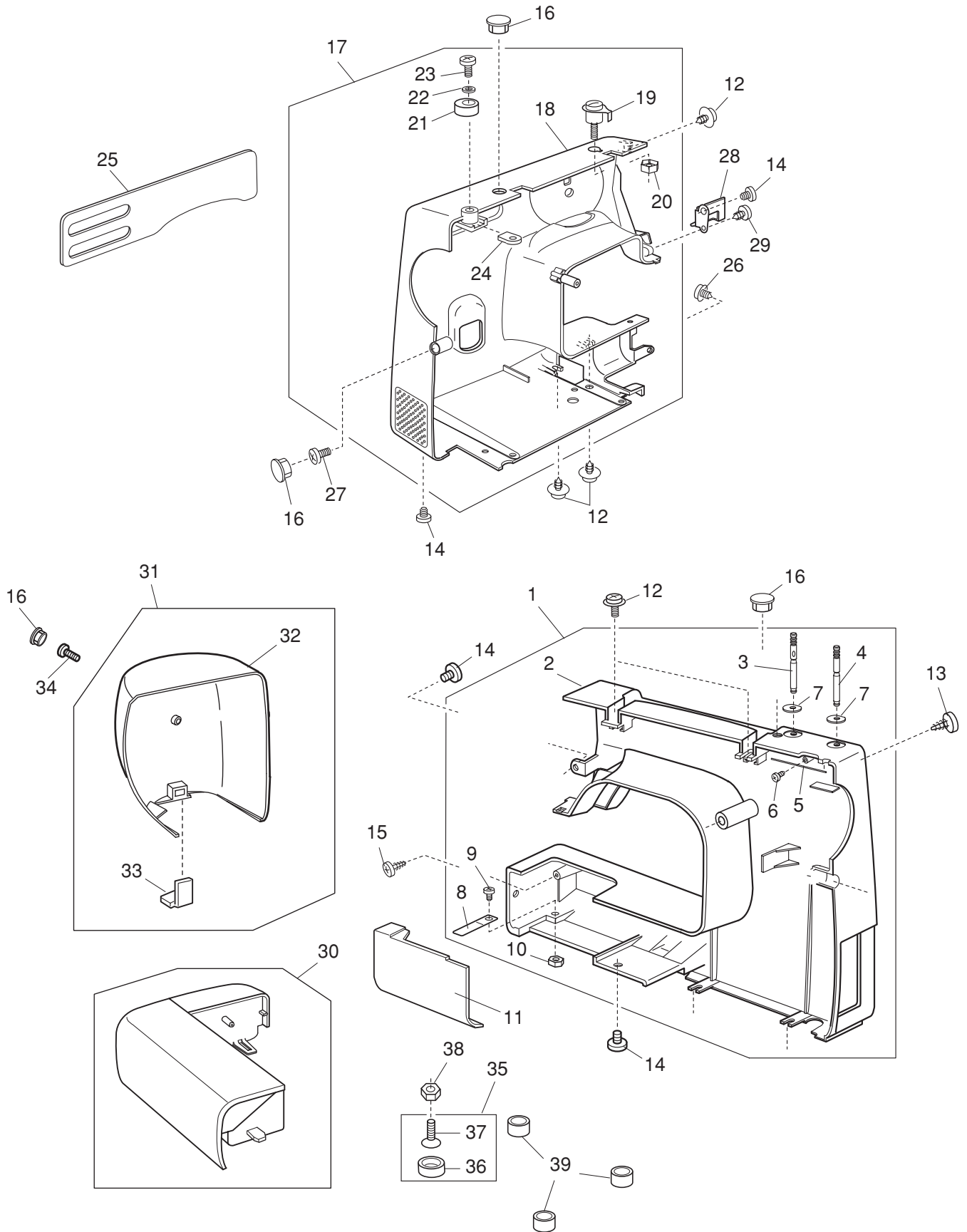


PARTS LIST

MODEL: 920

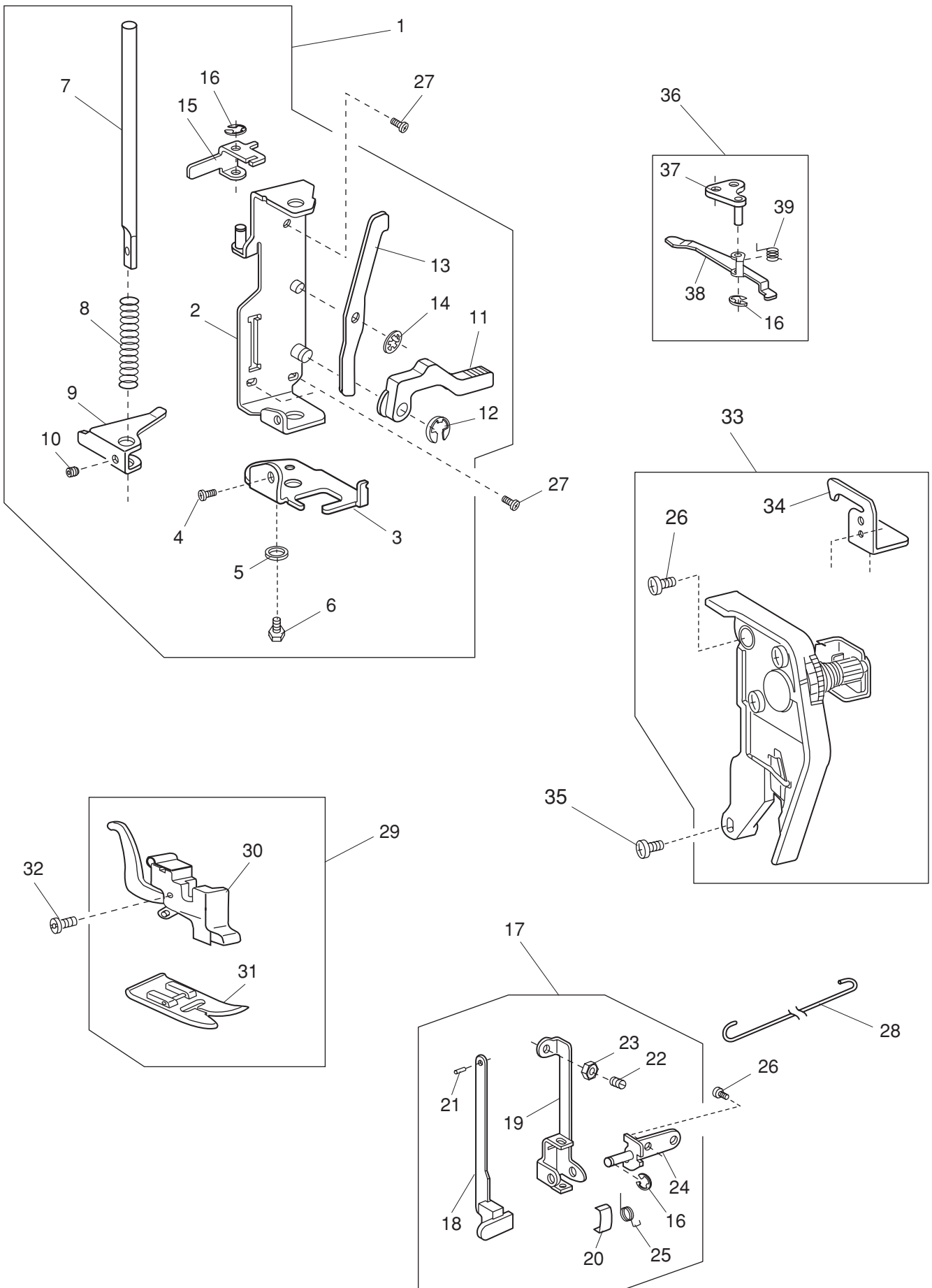
PARTS LIST



PARTS LIST

KEY NO.	PARTS NO.	DESCRIPTION
1	304601307	Rear cover (unit)
2	304001105	Rear cover
3	652302004	Spool pin (hole)
4	652205006	Spool pin (no hole)
5	736007009	Spool pin spring
6	000161206	Setscrew 3x10 (B)
7	735013083	Spool pin base
8	730006000	Spring
9	000101404	Setscrew 4x6
10	000061205	Nut
11	739004005	Bed cover plate
12	000115205	Setscrew TP 4x6
13	000198604	Setscrew 4x14 (B)
14	000081005	Setscrew 4x8
15	000121905	Setscrew 4x12 (B)
16	653006101	Cap
17	304605079	Front cover (unit)
18	304029361	Front cover
19	730501011	Thread guide plate (unit)
20	000160102	Adjustable lock nut 4
21	735016307	Bobbin winder stopper
22	000071013	Washer
23	000101817	Setscrew 4x16
24	843014004	Nut
25	304030804	Panel
26	000115607	Setscrew TP 4x8
27	000101703	Setscrew 4x12
28	745031000	Thread guide plate
29	000107307	Setscrew 3x8 (B)
30	304501007	Extension table (unit)
31	304613209	Face cover (unit)
32	304051007	Face cover
33	840602006	Thread cutter (unit)
34	000272005	Setscrew 4x12
35	735616200	Rubber base (unit)
36	735002001	Rubber base
37	000097901	Flat screw M5x18
38	000061319	Nut
39	739064003	Bed rubber base

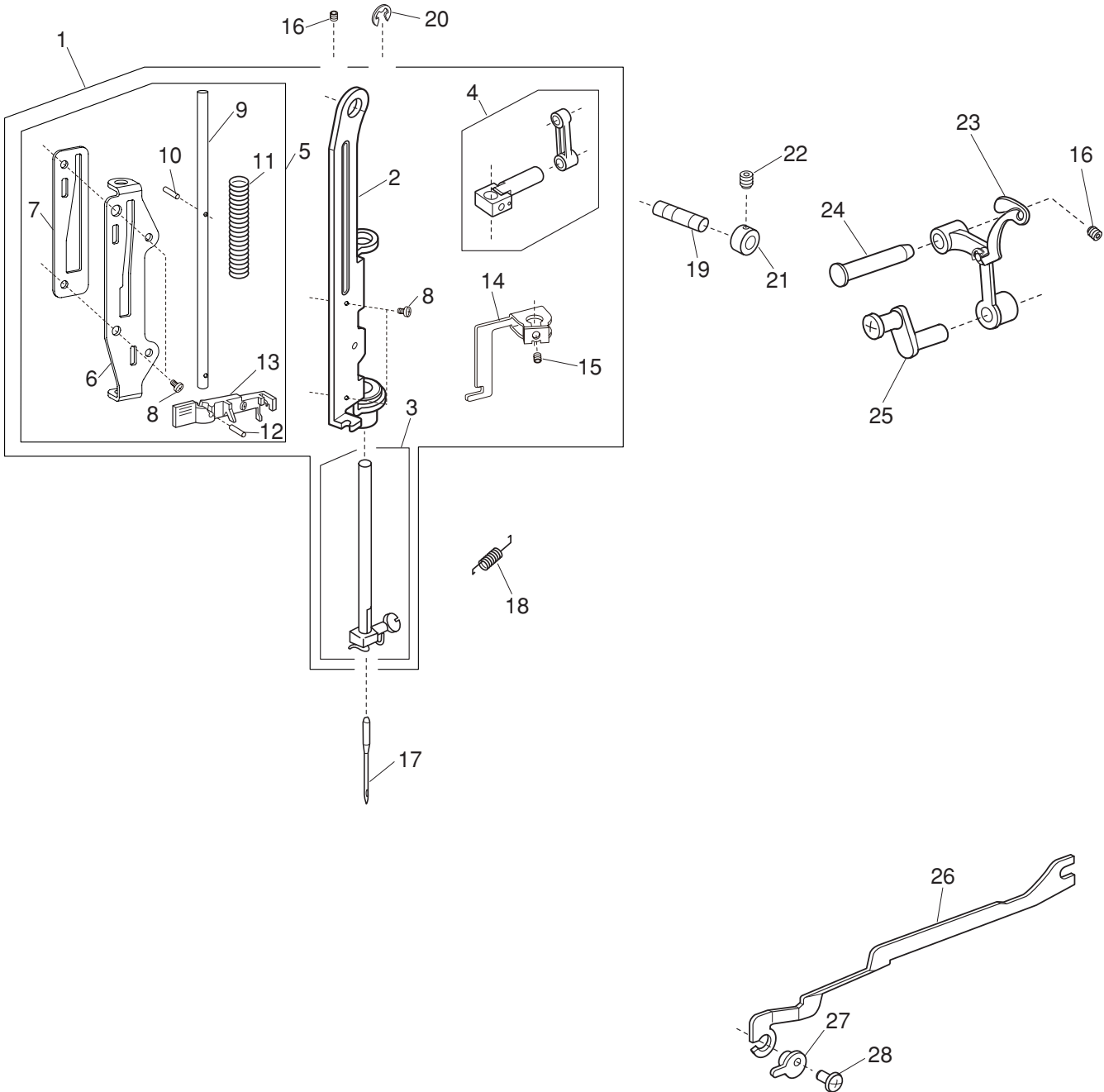
PARTS LIST



PARTS LIST

KEY NO.	PARTS NO.	DESCRIPTION
1	308611601	Presser bar base plate (unit)
2	308060001	Presser bar base plate
3	743212001	Needle drop adjusting plate
4	000101404	Setscrew 4x6
5	000070506	Washer
6	000138307	Bolt 4x8
7	303017101	Presser bar
8	735027002	Presser bar spring
9	735028003	Presser bar bracket
10	000111500	Hexagonal socket screw 4x8
11	735029004	Presser foot lifter
12	000001609	Snap ring E-5
13	735030008	Tension release lever
14	000013903	Snap ring CS-5
15	740051001	BH regulating lever
16	000002105	Snap ring E-3
17	740617001	BH lever (unit)
18	753629109	BH lever
19	740047004	BH lever supporter
20	753027008	Friction spring
21	000023009	Spring pin
22	000113306	Socket screw 4x10
23	000160102	Adjustable lock nut 4
24	740048005	BH lever base plate
25	740049006	BH lever spring
26	000103808	Setscrew 3x5
27	000081005	Setscrew 4x8
28	740052002	BH shifting rod
29	301612003	Presser foot (unit)
30	611510000	Presser foot holder
31	301505002	Zigzag foot
32	660106001	Setscrew
33	304603000	Tension assembly (unit)
34	304008009	Top cover thread guide
35	000101703	Setscrew 4x12
36	304610000	Tension release arm (unit)
37	739017001	Tension release arm base
38	304045008	Tension release arm
39	739019003	Tension release spring

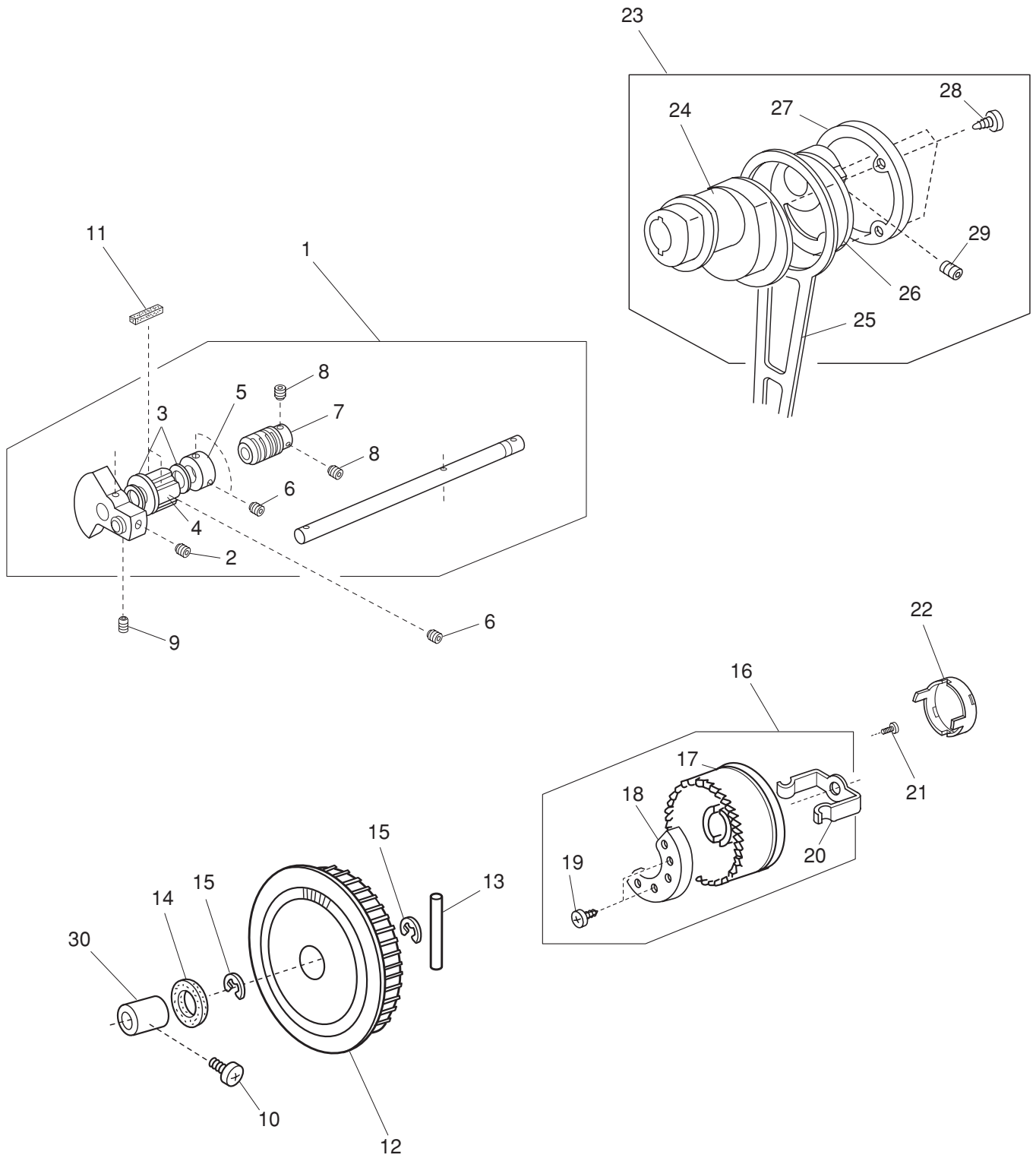
PARTS LIST



PARTS LIST

KEY NO.	PARTS NO.	DESCRIPTION
1	311609101	Needle bar supporter (unit)
2	743213002	Needle bar supporter
3	730503116	Needle bar (unit)
4	311502000	Needle bar connecting stud (unit)
5	311611003	Needle threader guide plate (unit)
6	311027006	Needle threader guide plate
7	311032004	Needle threader shaft plate
8	000101105	Setscrew 3x4
9	301034005	Needle threader shaft
10	000122906	Guide pin E-2x14-CH
11	734094007	Needle threader spring
12	000003508	Spring pin 2x8
13	639643009	Needle threader plate (unit)
14	311028007	Needle threader set plate
15	000111902	Hexagonal socket screw 3x4
16	000111304	Hexagonal socket screw 5x5
17	102408089	Needle
18	743216005	Needle bar supporter spring
19	310013109	Needle bar supporter pin
20	000001609	Snap ring E-5
21	735251007	Ring
22	000111005	Hexagonal socket screw 3x3
23	625506109	Thread take-up lever (unit)
24	647040108	Thread take-up lever pin
25	735504008	Needle bar crank pin (unit)
26	735119002	Zigzag rod
27	310041003	Eccentric plate
28	000078319	Setscrew 3x6

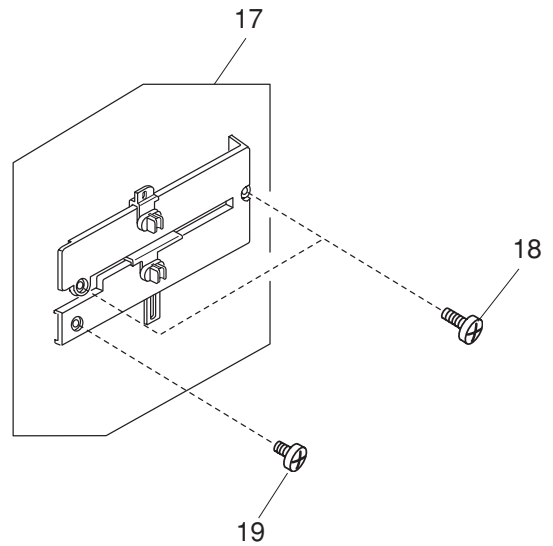
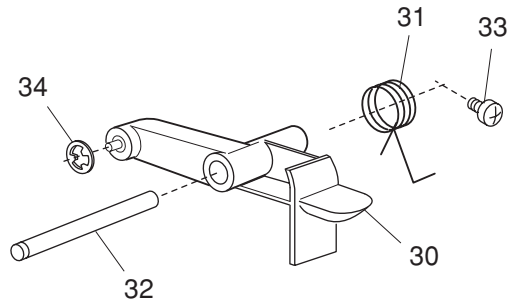
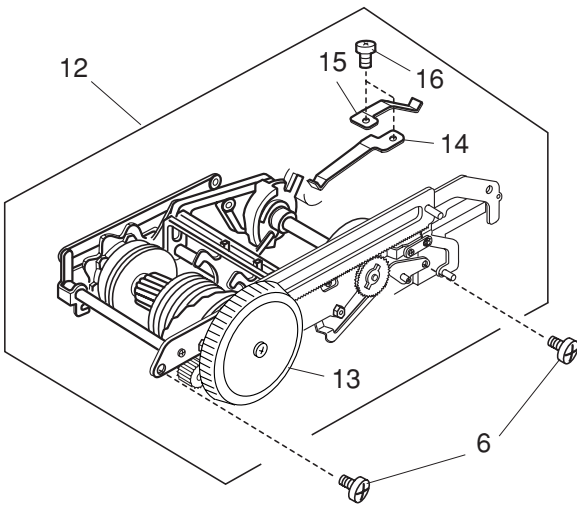
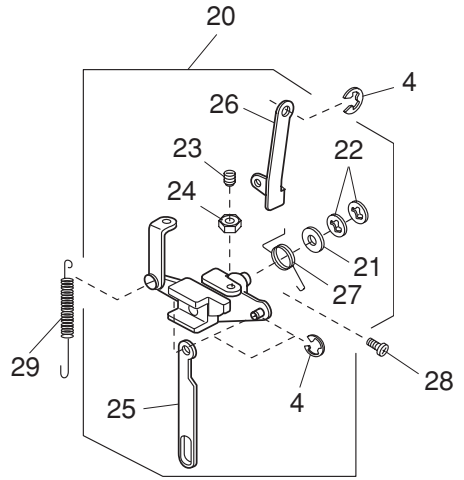
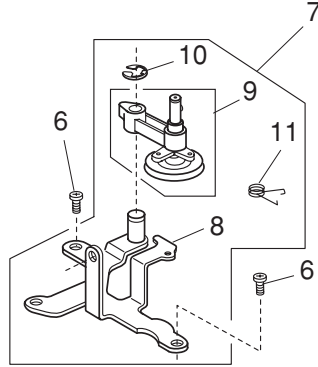
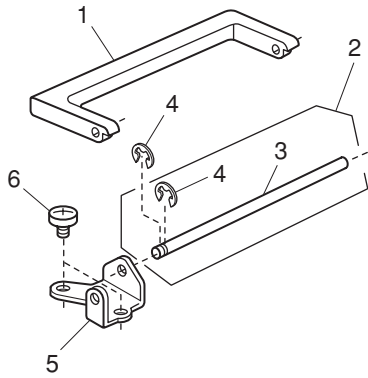
PARTS LIST



PARTS LIST

KEY NO.	PARTS NO.	DESCRIPTION
1	304607303	Upper shaft (unit)
2	102073003	Setscrew
3	000036717	Thrust washer
4	732025001	Upper shaft front bushing
5	639095000	Ring
6	000111304	Hexagonal socket screw 5x5
7	660113001	Worm
8	000111201	Hexagonal socket screw 4x4
9	761052007	Setscrew
10	000172602	Setscrew 5x8
11	731312005	Felt
12	743019006	Belt wheel
13	000023803	Spring pin
14	743029009	Felt
15	000030205	Snap ring E-8
16	304612703	Handwheel (unit)
17	639097655	Handwheel
18	304050006	Balance weight
19	000107802	Setscrew 3x10 (B)
20	639113016	Clutch spring
21	000081005	Setscrew 4x8
22	739101221	Clutch cap
23	304609006	Crank rod (unit)
24	304042005	Feed cam
25	743011008	Crank rod
26	304044007	Crank cam
27	304043006	Crank cam plate
28	000161309	Setscrew 3x12 (B)
29	000110107	Hexagonal socket screw 5x5
30	732003003	Upper shaft rear bushing

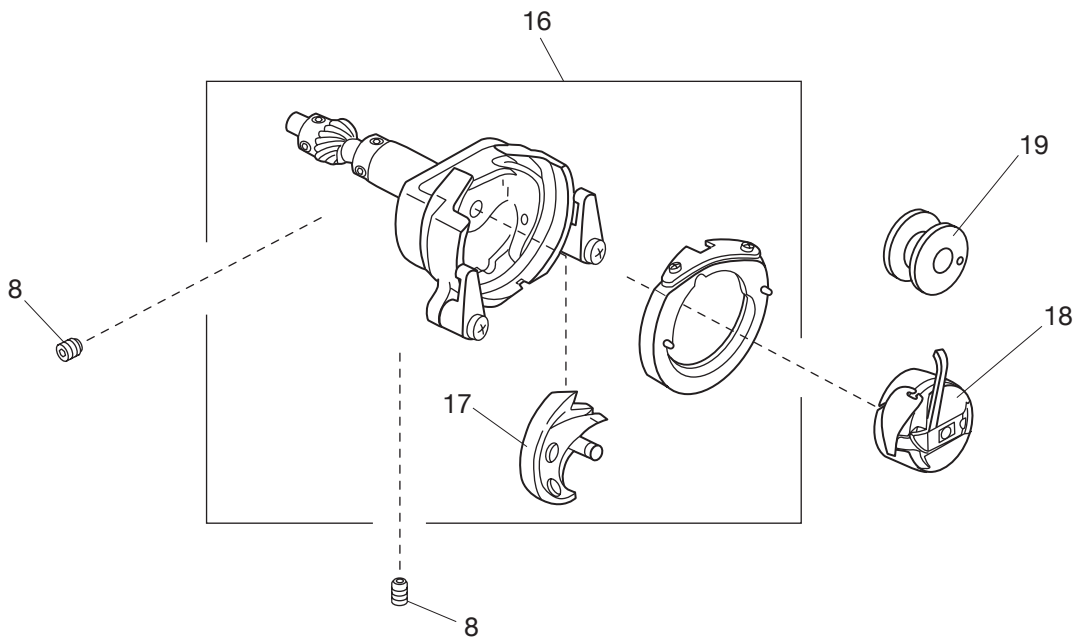
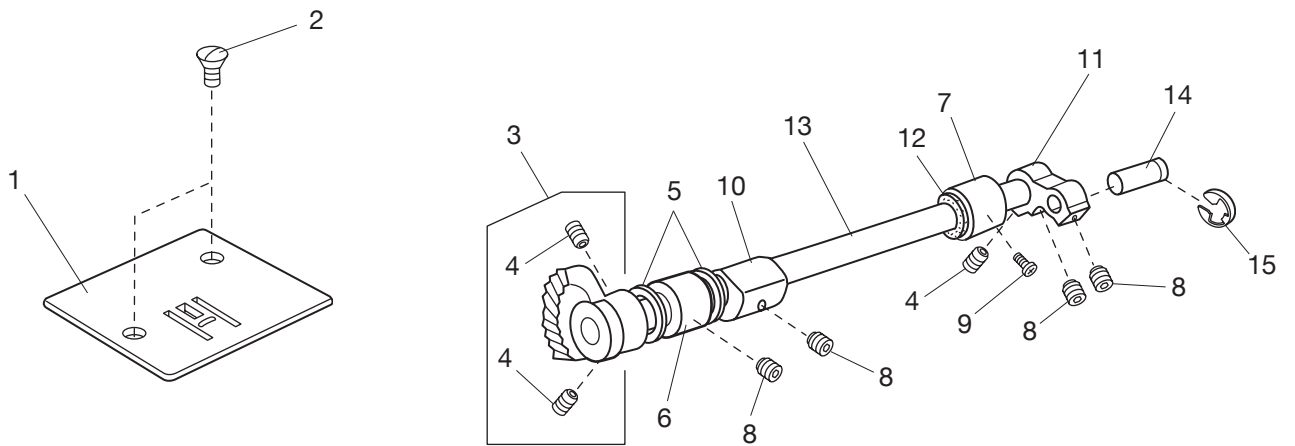
PARTS LIST



PARTS LIST

KEY NO.	PARTS NO.	DESCRIPTION
1	304006007	Handle
2	740624001	Carrying handle set pin (unit)
3	740011009	Handle shaft
4	000002105	Snap ring E-3
5	740010008	Handle supporter
6	000081005	Setscrew 4x8
7	740602405	Bobbin winder base plate (unit)
8	740003101	Bobbin winder base plate
9	735501108	Bobbin winder arm (unit)
10	000002806	Snap ring E-6
11	740042009	Bobbin winder arm spring
12	304604702	Zigzag mechanism (unit)
13	304063002	Pattern indicator plate
14	303028002	Index spring (1)
15	303051004	Index spring (2)
16	000103808	Setscrew 3x6
17	304608201	Button base (unit)
18	000081500	Setscrew 3x12
19	000078319	Setscrew 3x6
20	304611104	Feed regulator (unit)
21	735073003	Plain washer
22	000013800	Snap ring CS-6
23	648010009	Setscrew
24	000160102	Adjustable lock nut 4
25	745052007	Reverse link
26	739020007	Feed regulating rod
27	735077007	Feed regulating body spring
28	000172602	Setscrew 5x8
29	670100006	Feed regulator spring
30	304007204	R button
31	739063002	R button spring
32	736015000	R button shaft
33	000101301	Setscrew 5x10
34	000014007	Snap ring CS-4

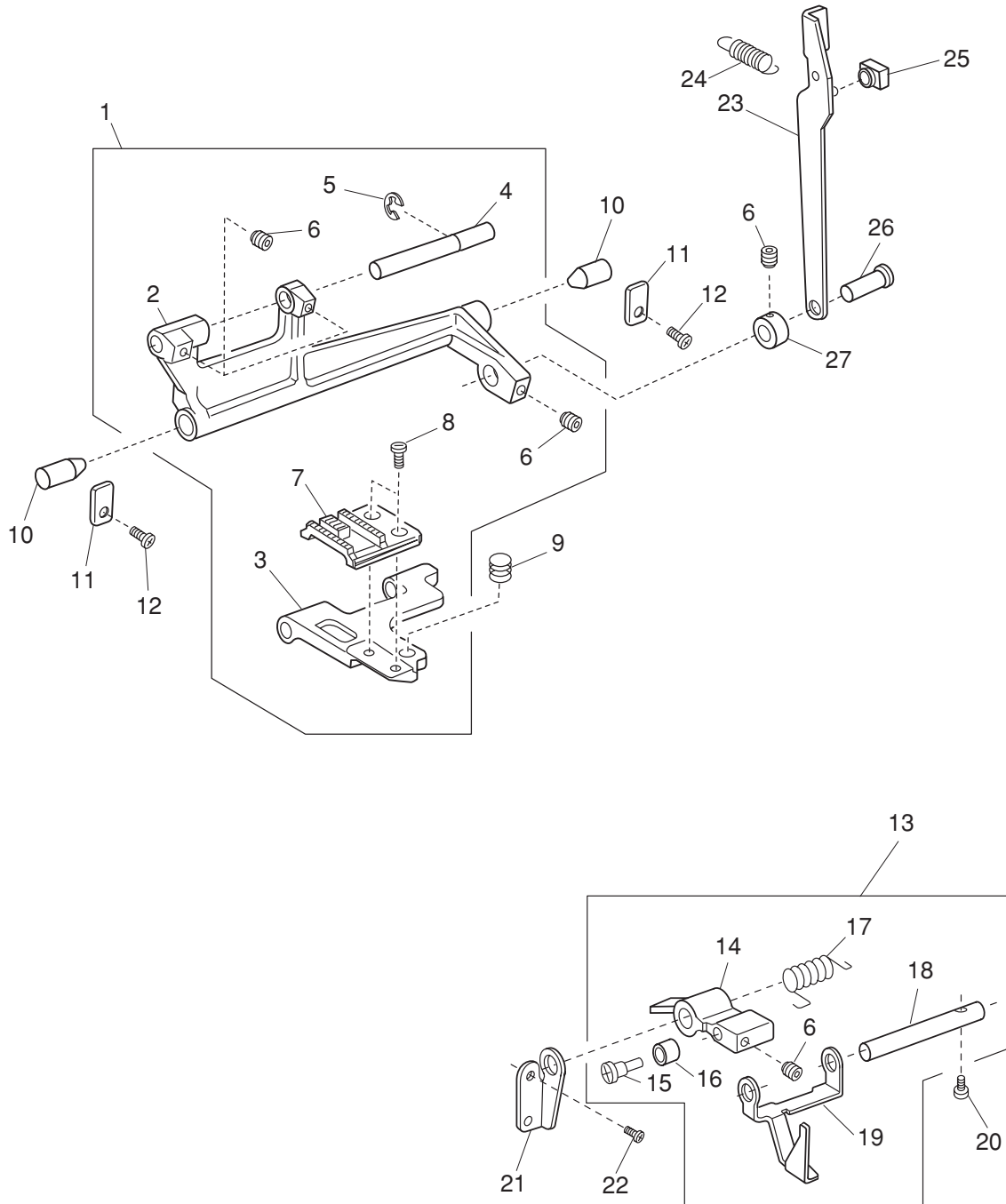
PARTS LIST



PARTS LIST

KEY NO.	PARTS NO.	DESCRIPTION
1	744004001	Needle plate
2	681009101	Setscrew
3	735950003	Lower shaft gear (unit)
4	000110107	Hexagonal socket screw 5x5 (WP)
5	000036201	Washer
6	735233003	Bushing
7	735234004	Bushing
8	000111304	Hexagonal socket screw 5x5
9	000172602	Setscrew 5x8
10	735061101	Feed lifting cam
11	639036003	Lower shaft crank arm
12	822070003	Felt
13	735236006	Lower shaft
14	639037004	Pin
15	000001609	Snap ring E-5
16	735610101	Shuttle race body (unit)
17	532096007	Shuttle hook
18	647515006	Bobbin case (unit)
19	102261000	Bobbin

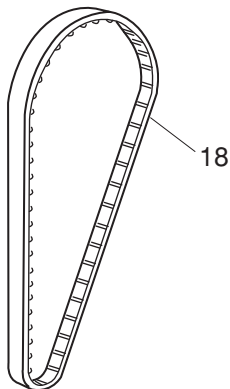
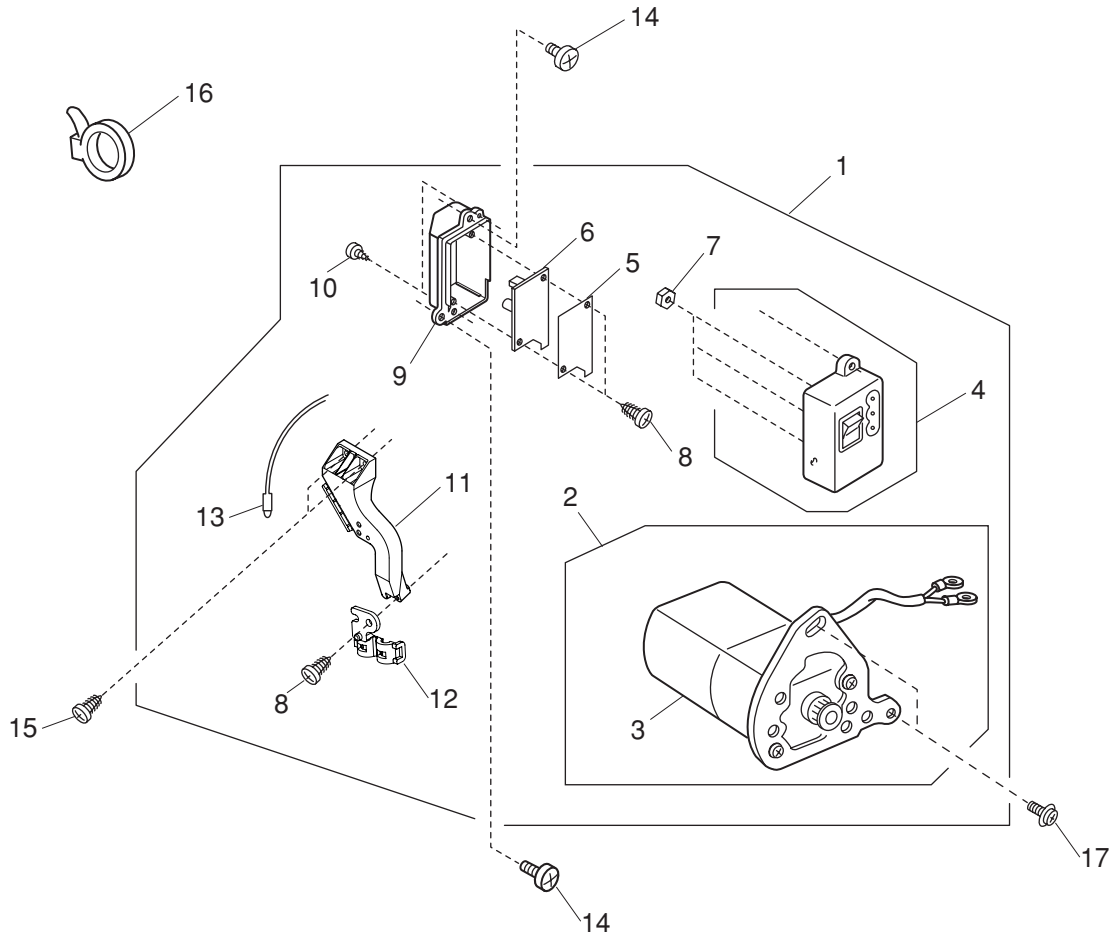
PARTS LIST



PARTS LIST

KEY NO.	PARTS NO.	DESCRIPTION
1	735612000	Feed rock shaft (unit)
2	735078008	Feed rock shaft
3	735079009	Feed bar
4	735080003	Feed bar shaft
5	000002507	Snap ring E-4
6	000111201	Hexagonal socket screw 4x4
7	735081004	Feed dog
8	735082005	Setscrew
9	735083006	Feed bar spring
10	735084007	Feed rock shaft center
11	735085008	Feed rock shaft center plate
12	000101404	Setscrew 4x6
13	301609007	Feed lifting arm (unit)
14	301027005	Feed lifting arm
15	735087000	Feed lifting pin
16	735088001	Feed lifting roller
17	730061003	Feed lifting spring
18	735090006	Feed lifting shaft
19	740013001	Drop feed selecting plate
20	000101703	Setscrew 4x12
21	739022009	Feed lifting shaft holder
22	000081119	Setscrew 4x6
23	743012009	Feed rod
24	743013000	Feed rod spring
25	102141003	Feed regulator slide block
26	735071104	Feed rock shaft connecting pin
27	735276008	Ring

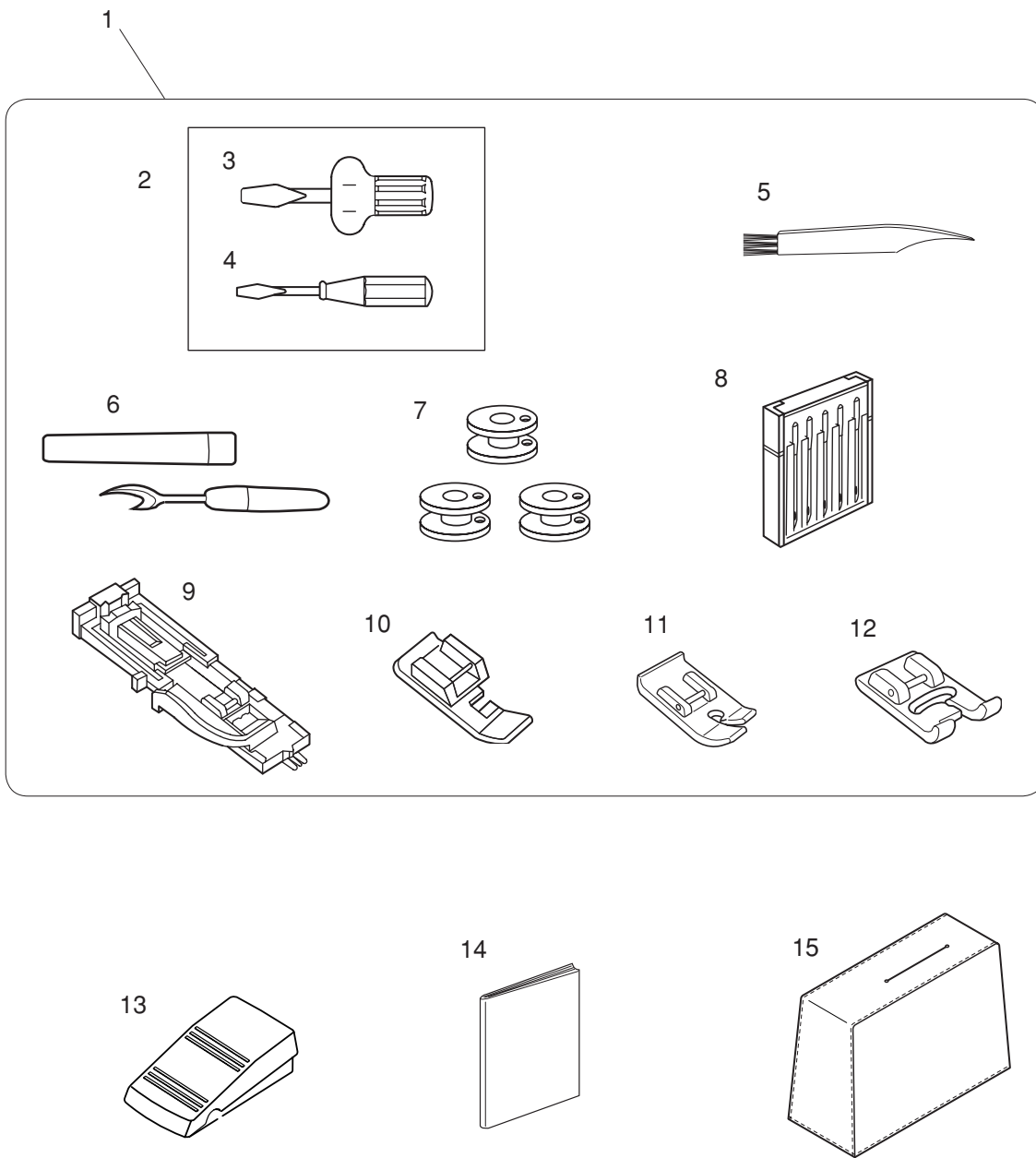
PARTS LIST



PARTS LIST

KEY NO.	PARTS NO.	DESCRIPTION
1	311610301	Machine socket (whole unit)
2	743671024	Motor assembly (unit) including bracket
3	025601026	Motor with pulley
4	739503308	Machine socket (unit)
5	508134003	Insulating paper
6	508512102	Printed circuit board C (unit)
7	000060802	Nut 3-1-5.5
8	000120203	Setscrew 3x8 (B)
9	508133002	Machine socket cover
10	000107802	Setscrew 3x10 (B)
11	311029008	Face plate set plate
12	508143005	LED holder
13	508515105	LED (unit)
14	000103509	Setscrew 4x10
15	000081005	Setscrew 4x8
16	000053008	Cord binder
17	000115504	Setscrew TP 5x10
18	650166008	Motor timing belt

PARTS LIST



PARTS LIST

KEY NO.	PARTS NO.	DESCRIPTION
1	304870309	Accessory set
2	820839002	Screwdriver (unit)
3	820832005	Screwdriver (large)
4	647803004	Screwdriver (small)
5	802424004	Lint brush
6	647808009	Seam ripper/buttonhole opener
7	102261000	Bobbin
8	540401026	Needle set
9	740801004	Automatic buttonhole foot
10	611406002	Zipper foot
11	731806001	Straight stitch foot
12	737801015	Buttonhole foot
13	043970106	Foot control
14	304800283	Instruction manual (English)
15	741811000	Cover