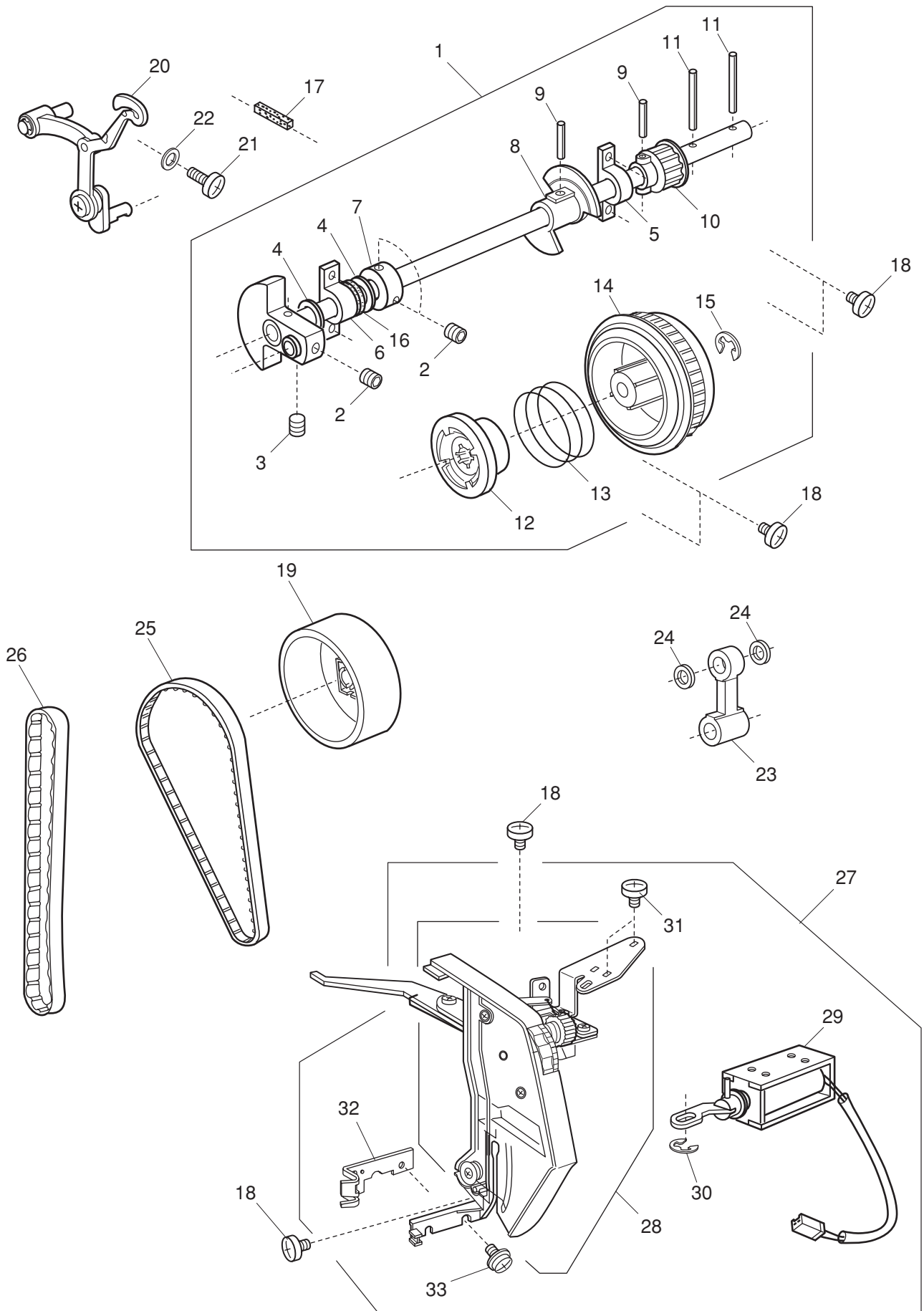


PARTS LIST

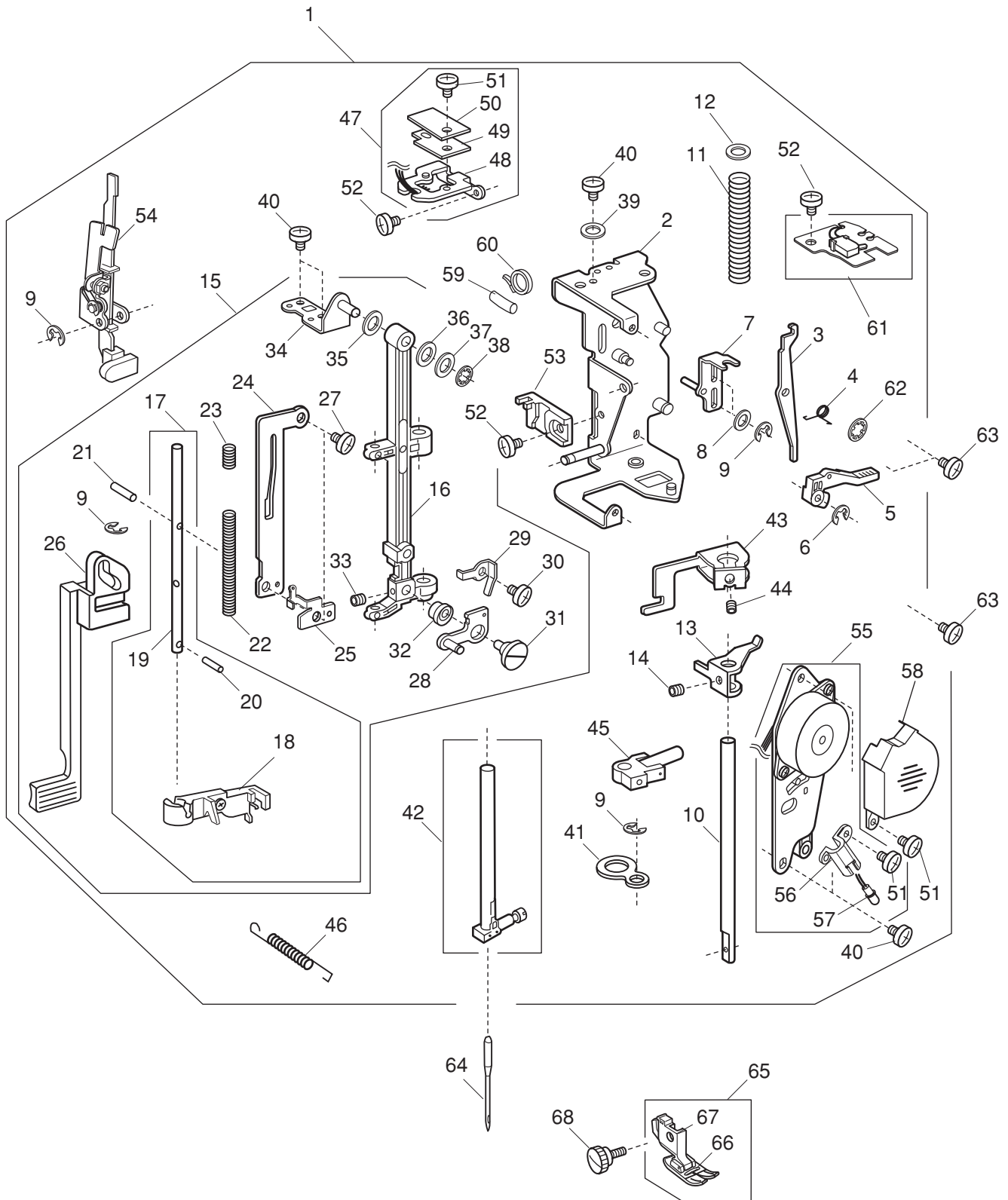
PARTS LIST



PARTS LIST

KEY NO.	PARTS NO.	DESCRIPTION
1	808601005	Upper shaft (unit)
2	000111201	Hexagonal socket screw 4x4
3	000112800	Hexagonal socket screw 4x6
4	000036201	Washer FT80
5	508054101	Shaft fixing metal
6	508120006	Shaft fixing metal
7	820166001	Lower shaft ring
8	808003001	Upper shaft shielding plate
9	000004200	Spring pin 3x18
10	508021006	Upper shaft gear
11	000024206	Spring pin 3x30
12	502064003	Clutch ring
13	661024007	Clutch spring
14	508055009	Belt wheel
15	000002806	Snap ring E-6
16	823110010	Felt
17	731312005	Felt
18	000081005	Setscrew 4x8
19	809100002	Handwheel
20	808648107	Thread take-up lever (unit)
21	000103509	Setscrew 4x10
22	000072302	Washer 4
23	808005003	Needle bar crank rod
24	000036005	Washer FT60
25	808021005	Timing belt
26	808037004	Belt
27	809642001	Thread tension (unit)
28	809528000	Thread tension (unit)
29	808604101	Solenoid (unit)
30	000002105	Snap ring E-3
31	000101105	Setscrew 3x4
32	809023000	Face plate spring supporter
33	000114709	Setscrew TP 3x6

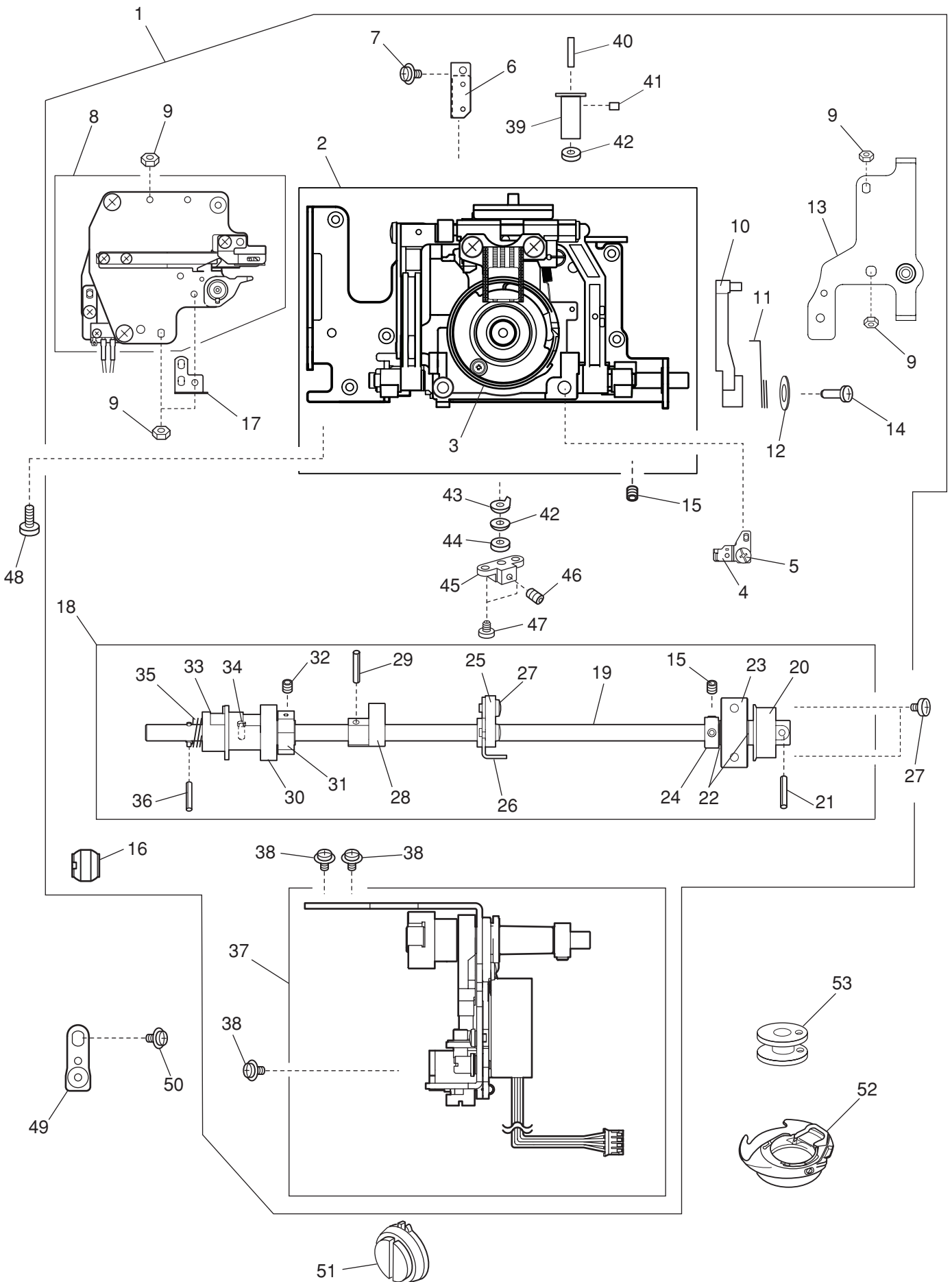
PARTS LIST



PARTS LIST

KEY NO.	PARTS NO.	DESCRIPTION	KEY NO.	PARTS NO.	DESCRIPTION
1	809614129	Presser bar base plate (unit)	36	673022002	Spring washer
2	808006406	Presser bar base plate	37	000070609	Washer 6
3	808007005	Thread tension release lever	38	000013903	Snap ring CS-5
4	503041007	Thread tension release spring	39	000072003	Washer 5
5	502024001	Presser foot lifter	40	000101404	Setscrew 4x6
6	000001609	Snap ring E-5	41	808010001	Supporter guide plate
7	809128006	Presser bar spring adjusting plate	42	751564006	Needle bar (unit)
8	000072508	Washer 4	43	807018006	Threader position set plate
9	000002105	Snap ring E-3	44	000177205	Hexagonal socket screw 3x6
10	827021107	Presser bar	45	809509005	Needle bar connecting stud (unit)
11	830030006	Presser bar spring	46	844038018	Needle bar supporter spring
12	826055004	Washer	47	808606206	Buttonhole sensor (unit)
13	809152009	Presser bar supporter	48	845002005	Sensor set plate
14	000111500	Hexagonal socket screw 4x8	49	843502808	Printed circuit board E1 (unit)
15	809615005	Needle bar supporter (unit)	50	845029008	Insulation sheet
16	809129007	Needle bar supporter	51	000101105	Setscrew 3x4
17	842637006	Threader shaft (unit)	52	000103808	Setscrew 3x5
18	842638007	Threader plate (unit)	53	830057021	Buttonhole lever guide
19	840036025	Threader shaft	54	843625004	Buttonhole lever (unit)
20	000003508	Spring pin 2x8	55	808605906	Zigzag width motor (unit)
21	000125105	Guide pin E-2x16-CH	56	809529001	LED lamp (unit)
22	842090001	Threader shaft spring	57	809153000	LED holder
23	842096007	Threader lever spring	58	809019014	Motor cover
24	842091002	Threader guide plate	59	809046009	Tube
25	844036027	Threader lever plate	60	000053008	Cord binder
26	842092003	Threader lever	61	808611101	Presser foot lift switch (unit)
27	000078319	Setscrew 3x6	62	000013903	Snap ring CS-5
28	808015006	Zigzag width rod	63	000081005	Setscrew 4x8
29	827088009	Zigzag width rod spring	64	102408089	Needle HA1-14
30	820373003	Setscrew 2x3	65	660509008	Presser foot (unit)
31	678084007	Eccentric pin	66	832523007	Zigzag foot
32	808074003	Washer	67	660806008	Presser foot holder
33	000111902	Hexagonal socket screw 3x4	68	647112009	Setscrew
34	808009007	Supporter adjusting plate			
35	000036500	Washer FT60			

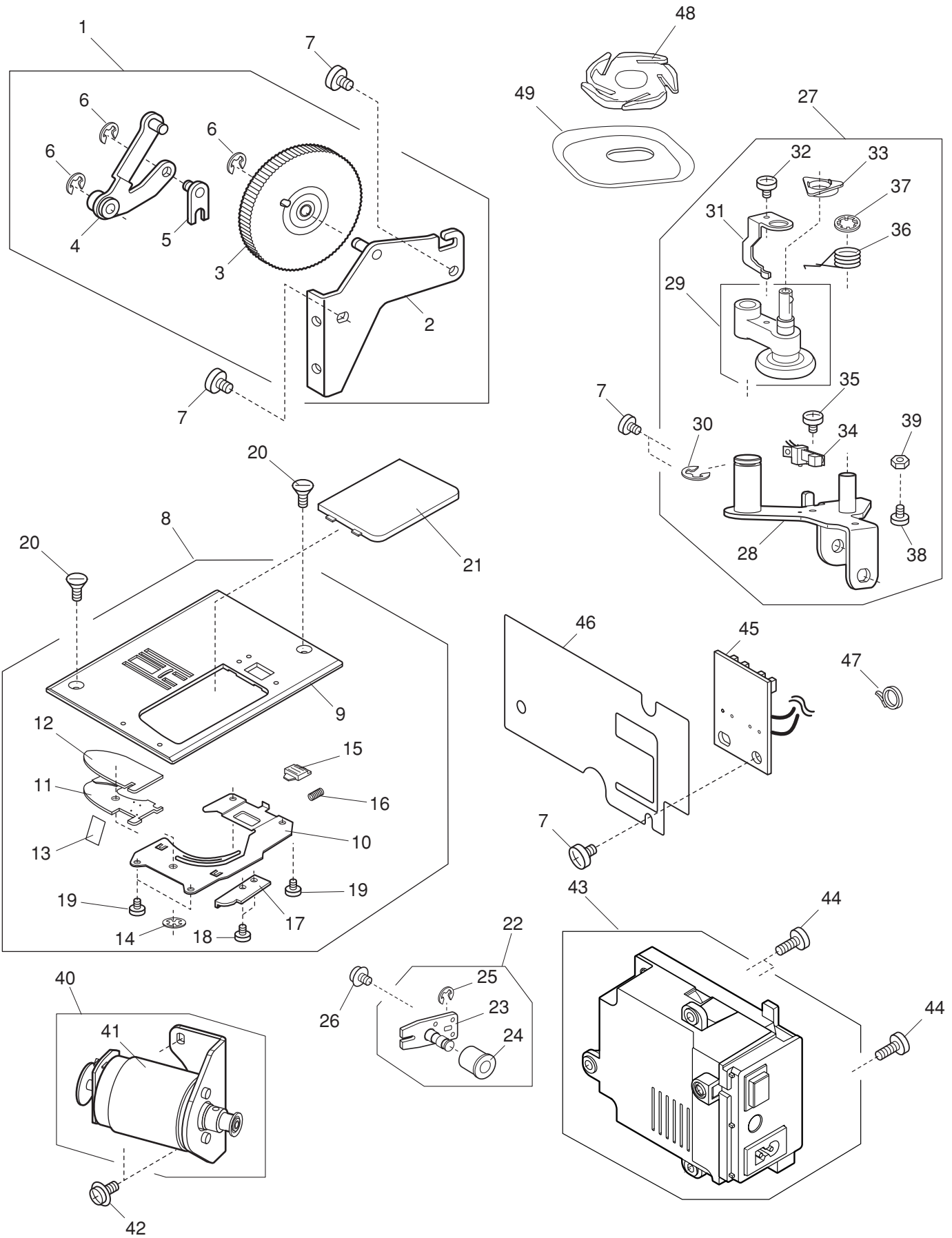
PARTS LIST



PARTS LIST

KEY NO.	PARTS NO.	DESCRIPTION
1	809620025	Hook race (whole unit)
2	809621015	Hook race (unit)
3	660536004	Hook body (unit)
4	627567104	Bobbin holder stopper (unit)
5	000101404	Setscrew 4x6
6	825515004	Feed base plate (unit)
7	825237009	Setscrew
8	809623501	Thread cutter (unit)
9	000063104	Nut 3-2-5.5
10	809013007	Feed fork
11	809015009	Feed fork spring
12	000071105	Washer
13	809064003	Needle plate set plate (right)
14	820172000	Pin
15	000111201	Hexagonal socket screw 4x4
16	732034003	Lower shaft bushing
17	808105107	Slide position adjusting plate
18	809602009	Lower shaft (unit)
19	808027207	Lower shaft
20	508021006	Upper shaft gear
21	000004200	Spring pin 3x18
22	000038502	Washer
23	508054008	Shaft fixing metal
24	820166001	Lower shaft ring
25	809017001	Lower shaft supporter
26	809016000	Lower shaft supporter plate
27	000081005	Setscrew 4x8
28	809014008	Feed cam
29	000005407	Spring pin 3x12
30	508023008	Lower gear
31	508020005	Ring
32	000111108	Hexagonal socket screw 4x6
33	846103000	Feed lifting cam
34	820161006	Feed lifting pin
35	808075004	Feed lifting cam spring
36	000022802	Spring pin 2x12
37	809607200	Feed regulator (unit)
38	000115205	Setscrew TP 4x6
39	820123006	Hook race shaft
40	820124007	Hook shaft oil wick (1)
41	820125008	Hook shaft oil wick (2)
42	000038409	Washer
43	627192001	Washer
44	625102008	Washer
45	508072002	Hook race shaft base
46	000111304	Hexagonal socket screw 5x5
47	000103705	Setscrew 4x5
48	000101703	Setscrew 4x12
49	809042005	Lower shaft bushing set plate
50	000115607	Setscrew TP 4x8
51	809053009	Feed balancing dial 2
52	858570009	Bobbin holder (unit)
53	102261000	Bobbin

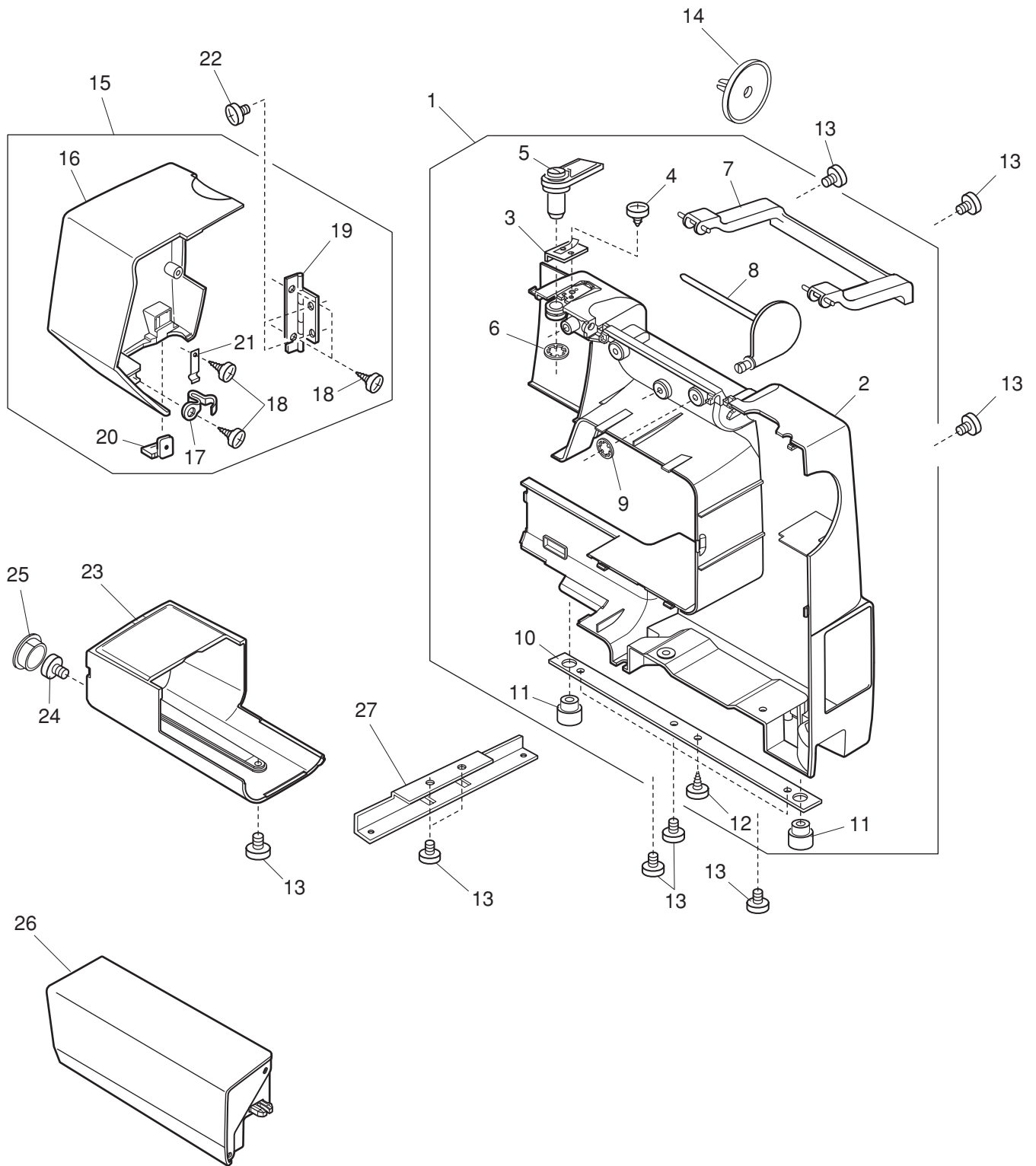
PARTS LIST



PARTS LIST

KEY NO.	PARTS NO.	DESCRIPTION
1	809608005	Presser foot pressure adjustment (unit)
2	809018002	Presser foot pressure adjusting set plate
3	808078203	Presser foot pressure dial
4	808079008	Adjusting arm 1
5	808080002	Adjusting arm 2
6	000002105	Snap ring E-3
7	000081005	Setscrew 4x8
8	809616006	Needle plate (unit)
9	809132003	Needle plate
10	809133004	Hook cover plate supporter
11	809134005	Hook cover plate supporter base
12	809135006	Guide holder
13	809137008	Cutter
14	000014306	Snap ring CS-3
15	825016000	Hook cover plate release button
16	825017001	Spring
17	809050006	Rotation stopper
18	000163703	Setscrew 2x3.5
19	820374004	Setscrew 2x2.3
20	681009101	Setscrew
21	809136100	Hook cover plate
22	808614001	Idler (unit)
23	808038005	Idler set plate
24	625217100	Idler
25	000002806	Snap ring E-6
26	000115607	Setscrew TP 4x8
27	809617100	Bobbin winder (unit)
28	809140004	Bobbin winder set plate
29	809505001	Bobbin winder arm (unit)
30	000001609	Snap ring E-5
31	809141005	Clutch lever
32	000120203	Setscrew 3x8 (B)
33	809143007	Cam
34	856512007	Switch (unit)
35	000081706	Setscrew 2.5x5
36	809147001	Spring
37	000013903	Snap ring CS-5
38	809054000	Setscrew
39	000063104	Nut
40	808617118	DC motor (unit)
41	808502119	DC motor (unit)
42	000115700	Setscrew TP 4x10
43	808639161	Switching regulator (unit)
44	000103509	Setscrew 4x10
45	808504007	Printed circuit board P (unit)
46	808093101	Cord guide
47	000053008	Cord binder
48	862647001	Thread cutter holder (unit)
49	809118003	Bobbin winder cover

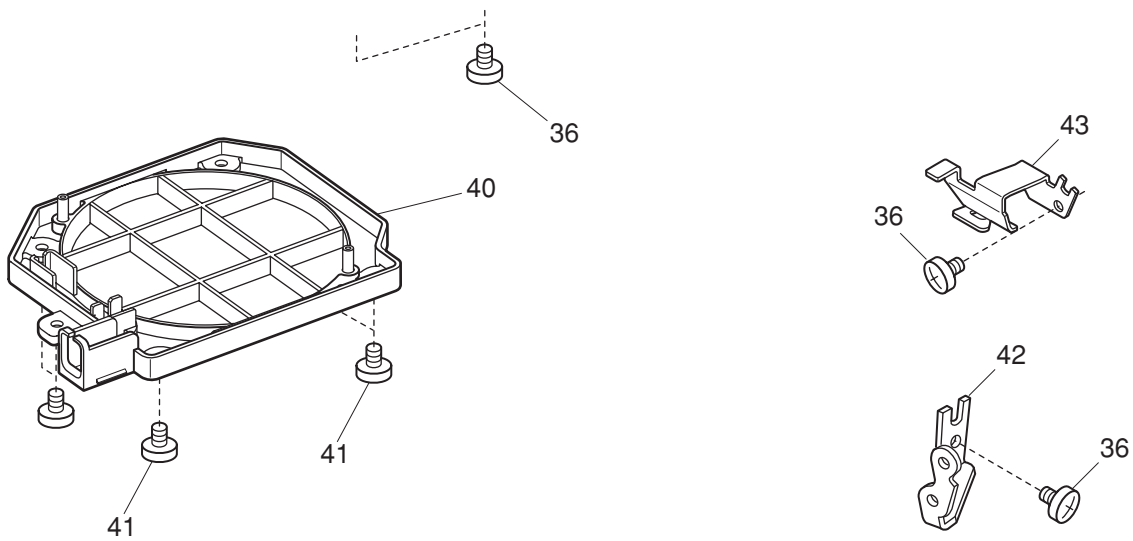
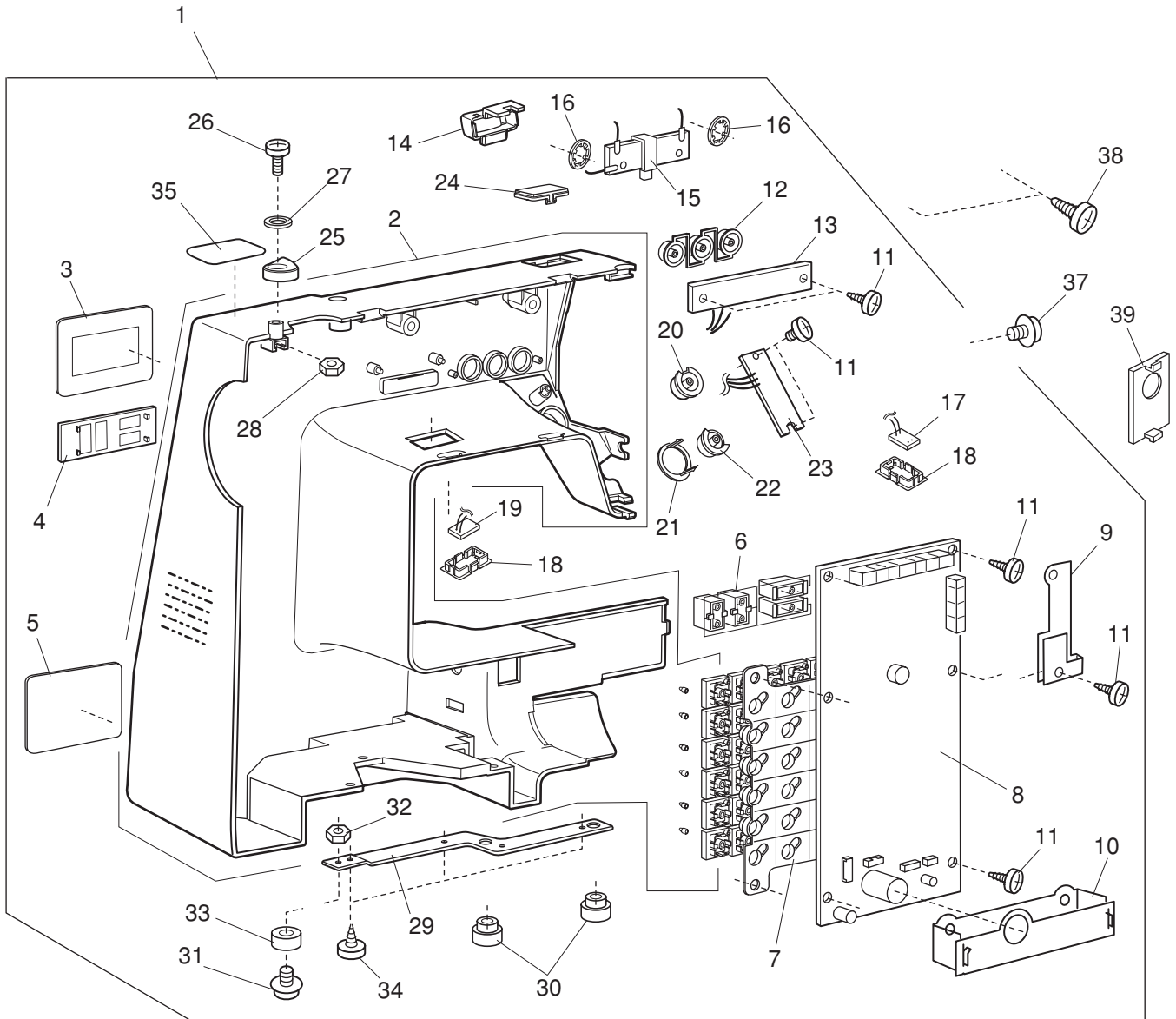
PARTS LIST



PARTS LIST

KEY NO.	PARTS NO.	DESCRIPTION
1	809610402	Rear cover (unit)
2	809104305	Rear cover
3	827503108	Top cover thread guide (unit)
4	000162001	Setscrew 2.6x5 (B)
5	650503089	Thread guide (unit)
6	000014409	Snap ring CS-8
7	809105007	Carrying handle
8	809027004	Spool pin
9	000013800	Snap ring CS-6
10	809028005	Arm leg rear
11	735003002	Bed rubber cushion
12	000198604	Setscrew 4x14 (B)
13	000081005	Setscrew 4x8
14	822020503	Spool holder
15	809613209	Face plate (unit)
16	809120101	Face plate
17	731067002	Face plate spring
18	000161206	Setscrew 3x10 (B)
19	843545009	Face plate hinge (unit)
20	840602006	Thread cutter (unit)
21	859233000	Spring
22	000081119	Setscrew 4x6
23	809124002	Free arm cover
24	000101404	Setscrew 4x6
25	745033002	Cap
26	809507003	Extension table (unit)
27	809024001	Arm sole set plate

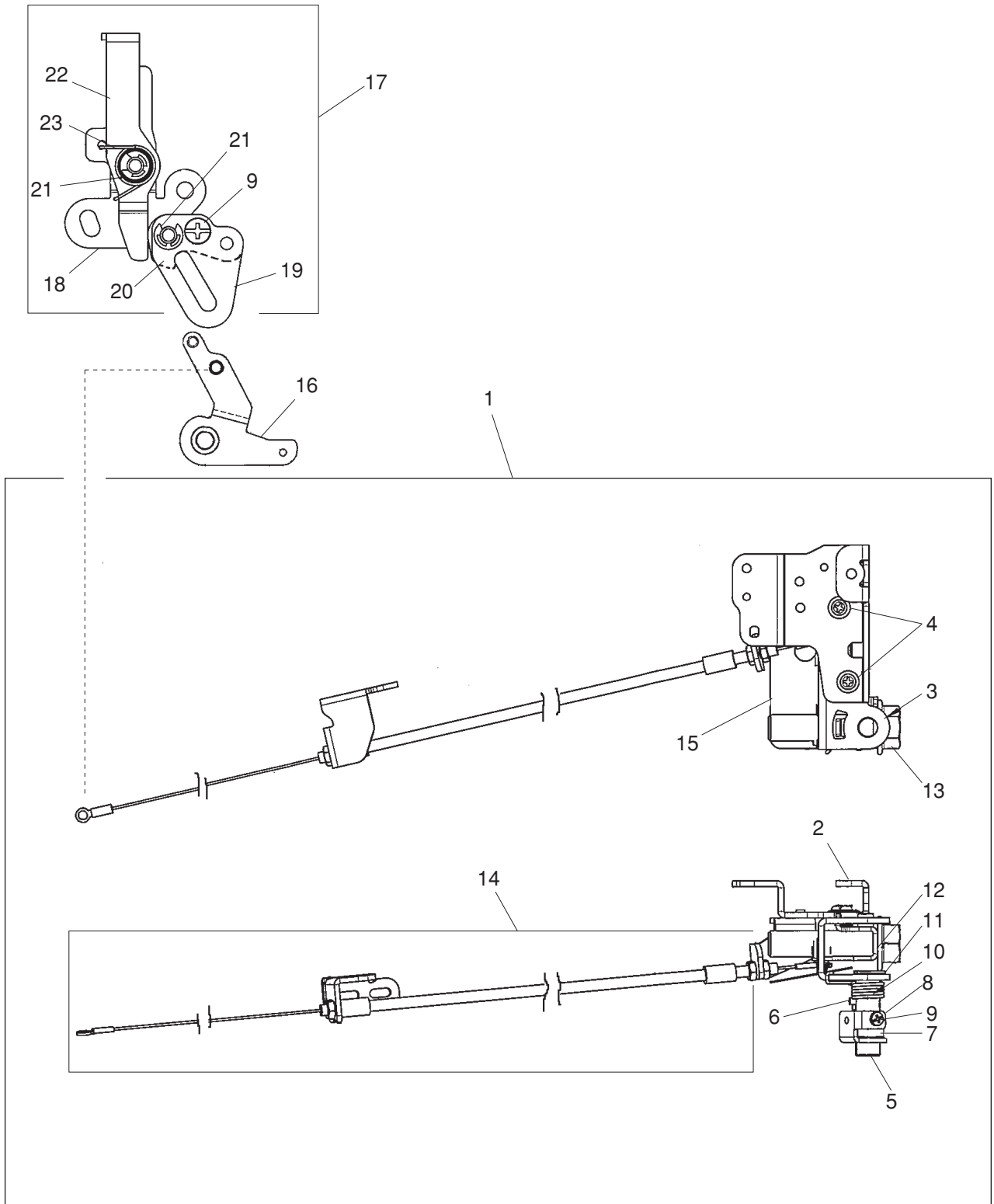
PARTS LIST



PARTS LIST

KEY NO.	PARTS NO.	DESCRIPTION
1	809611805	Front cover (unit)
2	809645303	Front cover (unit)
3	809109171	Panel 1
4	809110108	Panel 2
5	809173408	Panel 3
6	809112306	Adjusting button
7	809123001	Pattern select button cushion
8	809402029	Printed circuit board A (unit)
9	809126004	Flame retardant insulating paper 1
10	809127005	Flame retardant insulating paper 2
11	000120203	Setscrew 3x8 (B)
12	809113101	Function button
13	809508004	Printed circuit board F2 (unit)
14	809114009	Slide volume
15	653507185	Slide volume (unit)
16	000014306	Snap ring CS-3
17	858511806	Printed circuit board L (unit)
18	860167006	Lamp holder 2
19	858511301	Printed circuit board L (unit)
20	809115103	Reverse stitch button
21	809116104	Start/stop button cover
22	809117116	Start/stop button
23	809510009	Printed circuit board F (unit)
24	809119004	Front cover lid
25	846177108	Bobbin winder stopper
26	000101828	Setscrew 4x16
27	000071013	Washer
28	000061205	Nut 4-3-7
29	809125003	Arm sole front
30	735003002	Rubber foot
31	000114802	Setscrew TP 4x12
32	000160102	Adjustable lock nut 4
33	639005003	Rubber foot
34	000198604	Setscrew 4x14 (B)
35	101505006	Sticker
36	000081005	Setscrew 4x8
37	000115205	Setscrew TP 4x6
38	000160401	Setscrew 4x16 (B)
39	809039009	Cap
40	808059301	Bed cover
41	000149312	Setscrew 3x8 (B)
42	639080002	Front cover set plate
43	808016007	Arm thread guide

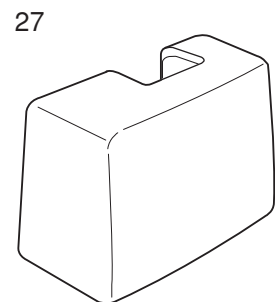
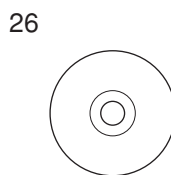
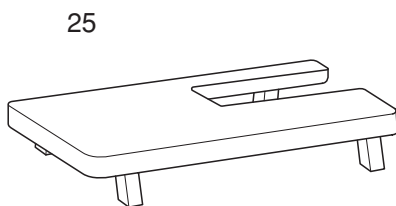
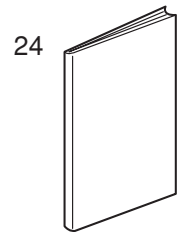
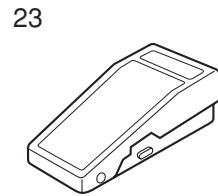
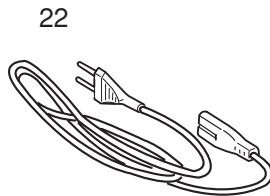
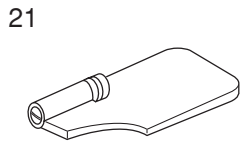
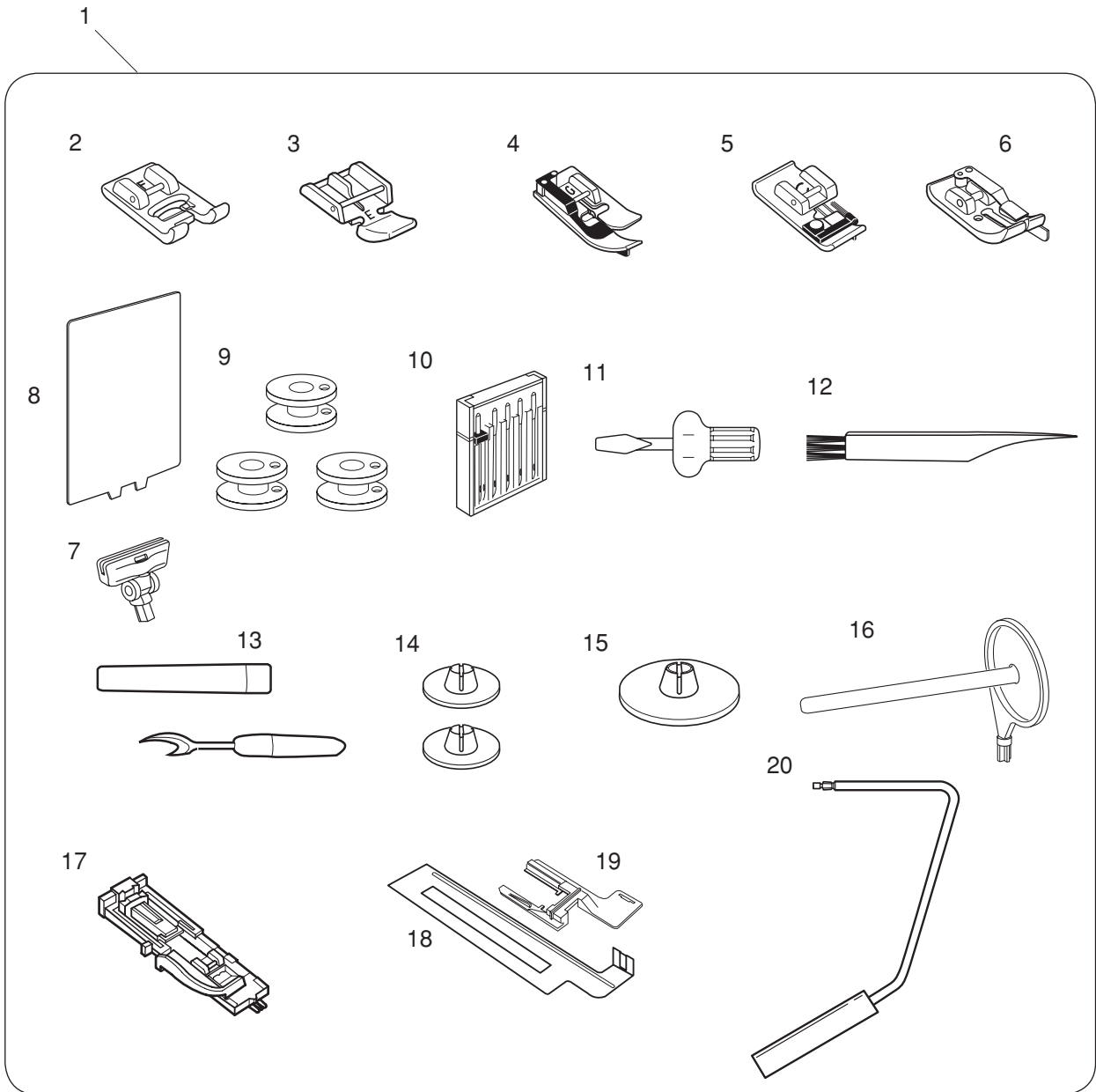
PARTS LIST



PARTS LIST

KEY NO.	PARTS NO.	DESCRIPTION
1	809643105	Knee lift shaft (unit)
2	809154001	Knee lifter base 1
3	809155002	Knee lifter base 2
4	000115205	Setscrew TP 4x6
5	809156003	Knee lift shaft
6	000004107	Pin
7	846297002	Stop escaping
8	861072006	Stop escaping plate
9	000101105	Setscrew 3x4
10	809157004	Knee lift shaft spring
11	000030205	Snap ring E-8
12	809158005	Knee lift link plate
13	000138503	Bolt 5x12
14	809647006	Wire (unit)
15	809161001	Cord guide
16	809163003	Knee lift arm
17	809644003	Link to loosen thread (unit)
18	809166006	Thread tension release base
19	809167007	Thread release cam guide
20	809168008	Thread release cam
21	000002105	Snap ring E-3
22	809169009	Thread tension release link
23	809170003	Thread release link spring

PARTS LIST



PARTS LIST

KEY NO.	PARTS NO.	DESCRIPTION
1	809870170	Standard accessories (unit)
2	822804118	Satin foot (F)
3	829801002	Zipper foot (E)
4	825817009	Blind hem foot (G)
5	822801001	Overedge foot (C)
6	200282004	1/4" Seam foot
7	809832000	Stitch chart base
8	809801402	Stitch chart
9	102261000	Bobbin
10	820827007	Needle case
11	820832005	Screwdriver
12	802424004	Lint brush
13	647808009	Seam ripper (Buttonhole opener)
14	822019509	Spool holder (small)
15	822020503	Spool holder
16	809146000	Spool pin
17	753801004	Buttonhole foot (R)
18	200428118	Stabilizer plate
19	200428406	Stabilizer plate holder
20	846811008	Knee lifter
21	859401001	Optic magnifier
22	830335004	Power supply cord
23	C-1036	Foot control
24	809800685	Instruction book
25	808401003	Large extension table
26	809836004	DVD
27	404701404	Hard cover