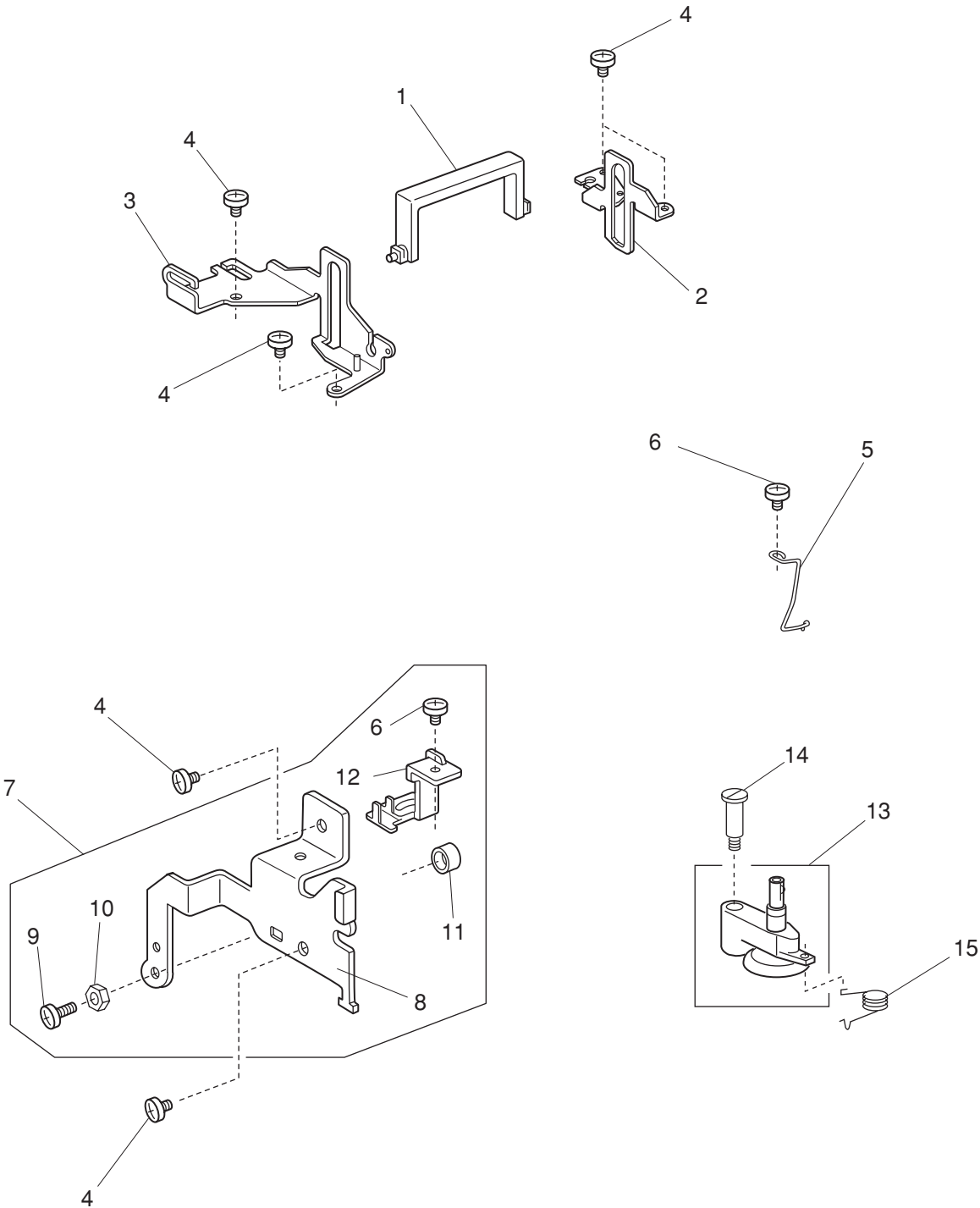


# **PARTS LIST**

**MODEL: Jubilee 60507**

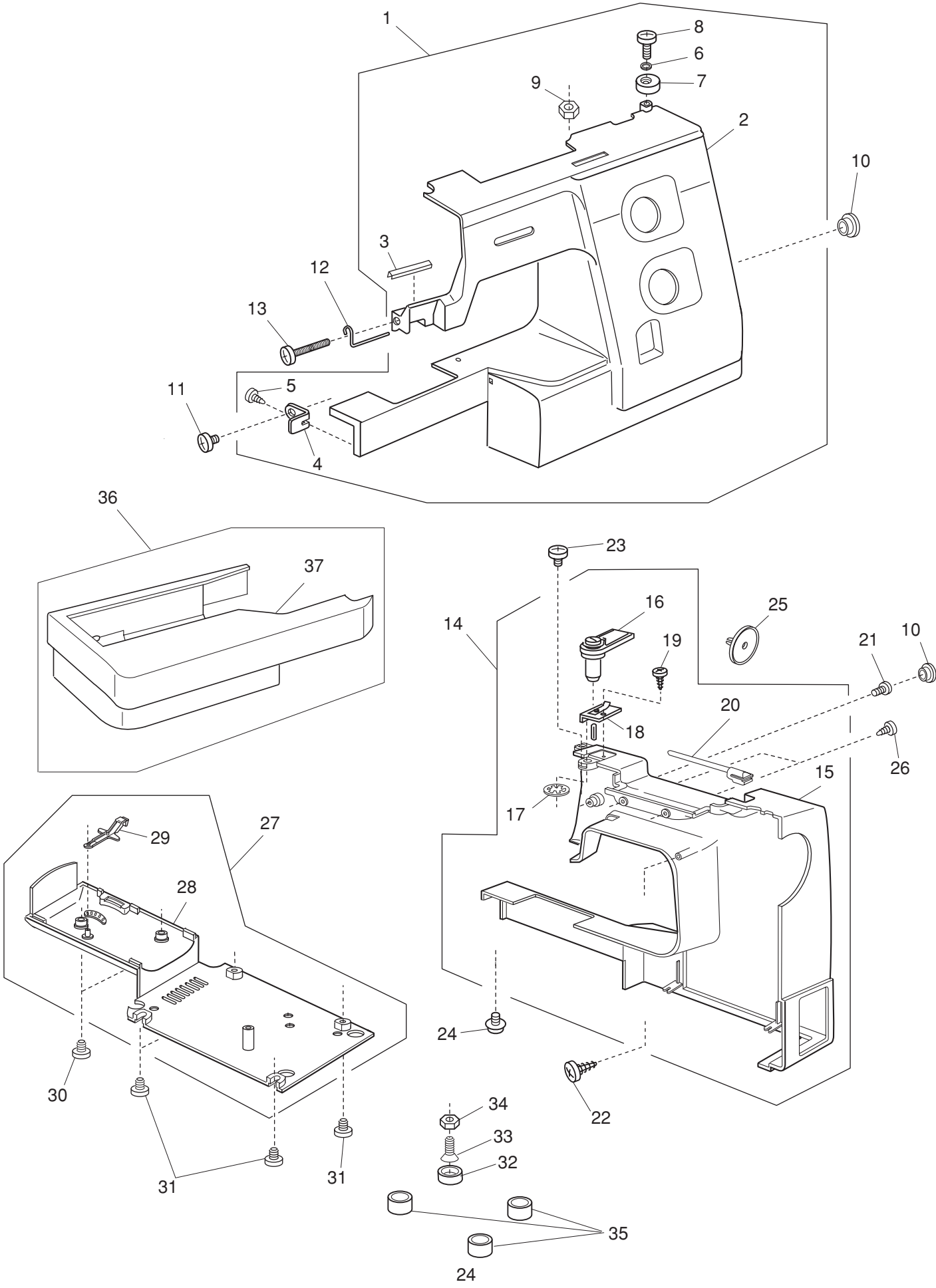
# PARTS LIST



## PARTS LIST

| KEY<br>NO. | PARTS<br>NO. | DESCRIPTION                  |
|------------|--------------|------------------------------|
| 1          | 751100000    | Handle                       |
| 2          | 507150002    | Handle supporter (Right)     |
| 3          | 751077029    | Handle supporter (Left)      |
| 4          | 000081005    | Setscrew 4x8                 |
| 5          | 652137006    | Arm thread guide (2)         |
| 6          | 000101404    | Setscrew 4x6                 |
| 7          | 507605100    | Face cover bracket (unit)    |
| 8          | 507006105    | Face cover bracket           |
| 9          | 000197706    | Setscrew 4x20                |
| 10         | 000160102    | Adjustable lock nut 4        |
| 11         | 685042005    | Needle bar supporter stopper |
| 12         | 751020027    | Needle thread shaft guide    |
| 13         | 652506000    | Bobbin winder (unit)         |
| 14         | 652093009    | Hinge screw                  |
| 15         | 659034003    | Bobbin winder spring         |

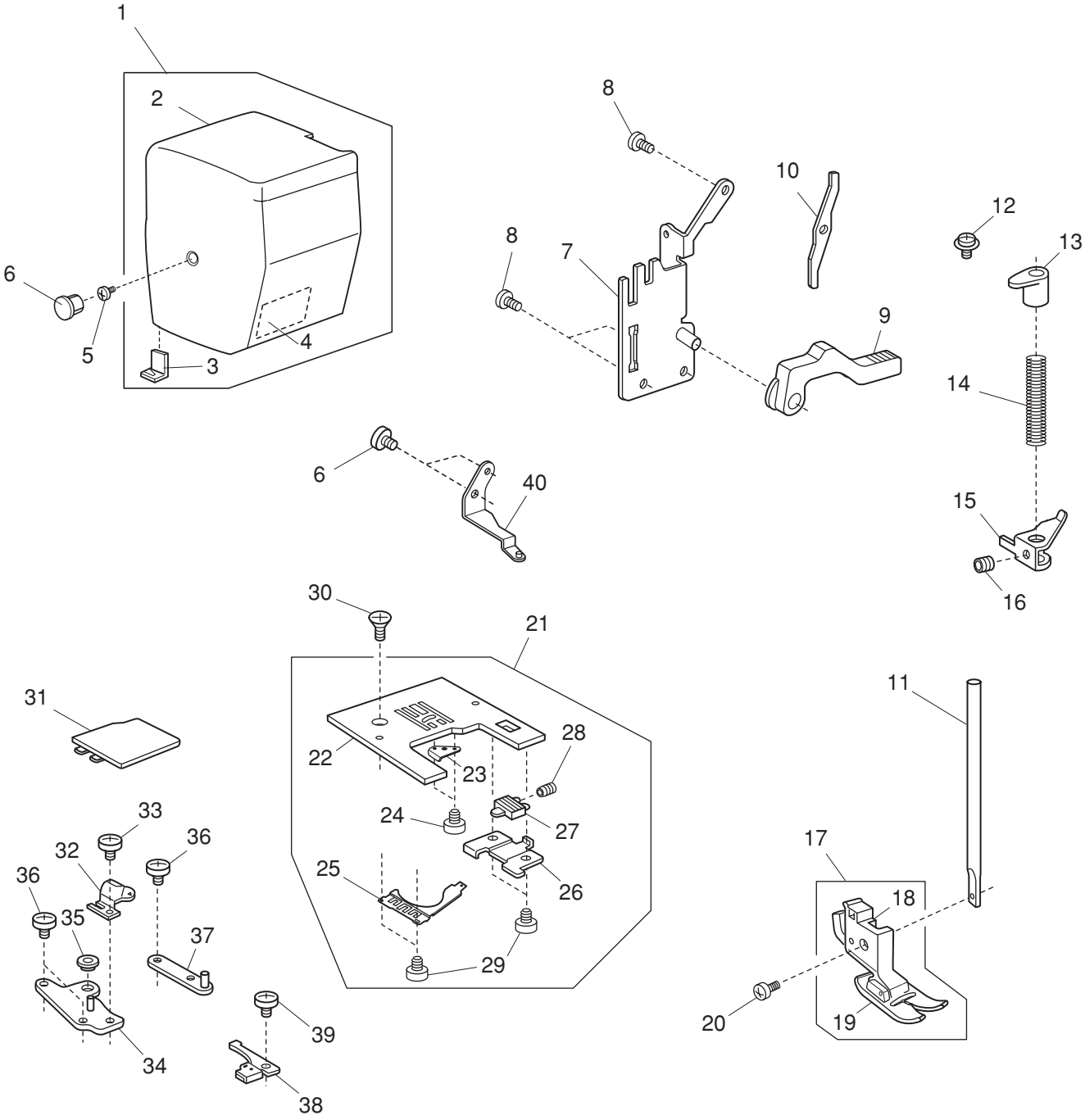
# PARTS LIST



## PARTS LIST

| KEY<br>NO. | PARTS<br>NO. | DESCRIPTION                   |
|------------|--------------|-------------------------------|
| 1          | 507660608    | Front cover (unit)            |
| 2          | 507177164    | Front cover                   |
| 3          | 753125007    | Thread guard                  |
| 4          | 827069004    | Front cover set plate (Lower) |
| 5          | 000120203    | Setscrew 3x8                  |
| 6          | 000071013    | Plain washer 4                |
| 7          | 735016307    | Bobbin winder stopper         |
| 8          | 000103107    | Setscrew 4x14                 |
| 9          | 000061205    | Hexagonal nut 4-3-7           |
| 10         | 653006101    | Cap                           |
| 11         | 000101404    | Setscrew 4x6                  |
| 12         | 753126008    | Arm thread guide              |
| 13         | 000092917    | Setscrew 3.5x27               |
| 14         | 507631183    | Rear cover (unit)             |
| 15         | 507102272    | Rear cover                    |
| 16         | 650503702    | Thread guide (unit)           |
| 17         | 000014409    | Snap ring CS-8                |
| 18         | 827503005    | Top cover thread guide (unit) |
| 19         | 000162001    | Setscrew 2.6x5                |
| 20         | 659067005    | Spool pin                     |
| 21         | 000101817    | Setscrew 4x16                 |
| 22         | 000121905    | Setscrew 4x12                 |
| 23         | 810220003    | Setscrew                      |
| 24         | 000115205    | Setscrew TP 4x6               |
| 25         | 822020503    | Spool holder (Large)          |
| 26         | 000161310    | Setscrew 3x12                 |
| 27         | 507601003    | Base cover (unit)             |
| 28         | 507001007    | Base cover                    |
| 29         | 753005000    | Drop feed lever               |
| 30         | 000101703    | Setscrew 4x12                 |
| 31         | 000103509    | Setscrew 4x10                 |
| 32         | 735002001    | Rubber foot                   |
| 33         | 000097808    | Flat screw 5x25               |
| 34         | 000061412    | Hexagonal nut 5-3-8           |
| 35         | 647009002    | Rubber foot base              |
| 36         | 507637606    | Extension table (unit)        |
| 37         | 507503004    | Extension table (unit)        |

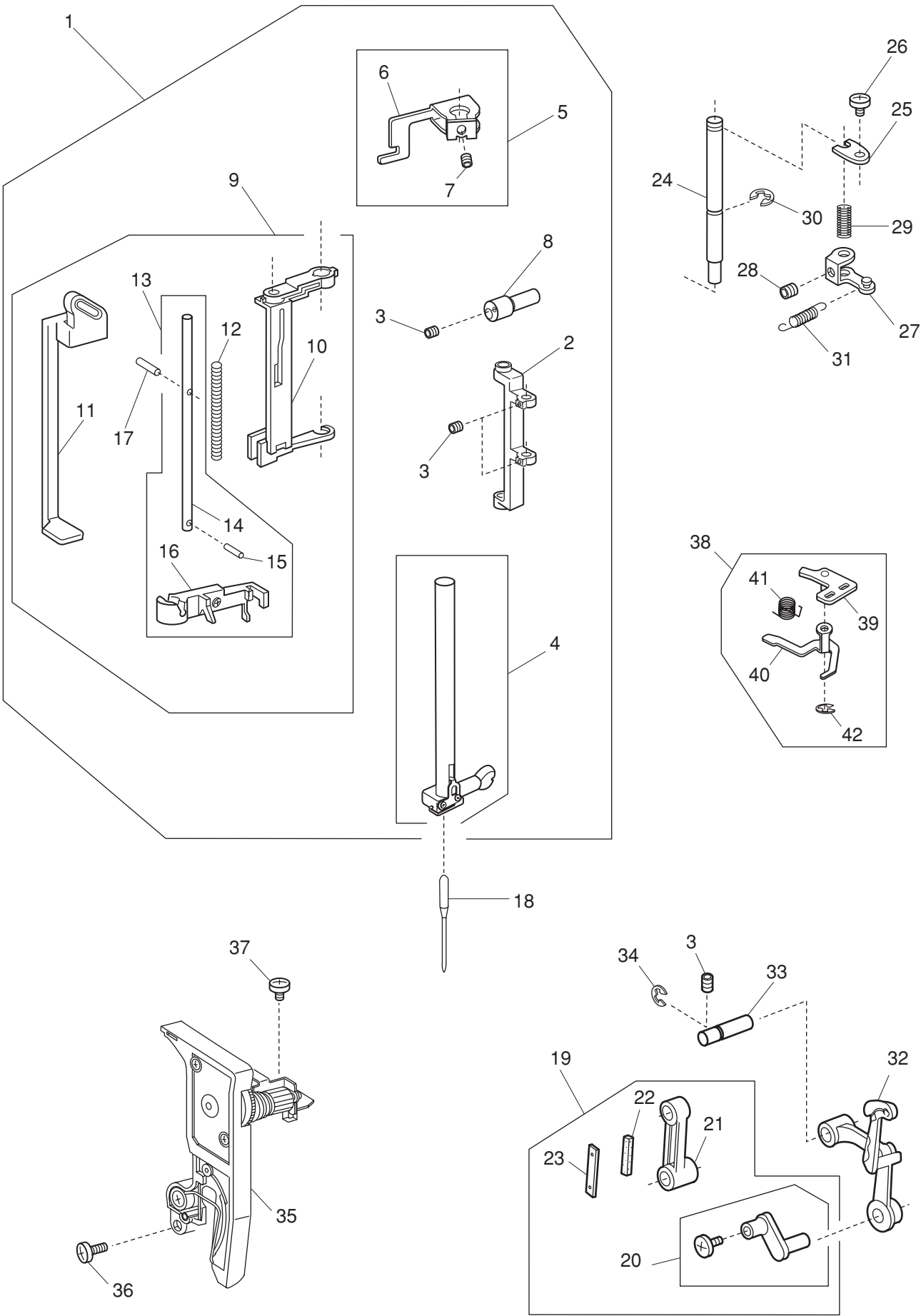
# PARTS LIST



## PARTS LIST

| KEY<br>NO. | PARTS<br>NO. | DESCRIPTION                          |
|------------|--------------|--------------------------------------|
| 1          | 507661067    | Face plate (unit)                    |
| 2          | 507178501    | Face plate                           |
| 3          | 840602006    | Thread cutter (unit)                 |
| 4          | 724025006    | Reflector sticker (2)                |
| 5          | 000101703    | Setscrew 4x12                        |
| 6          | 653006101    | Cap                                  |
| 7          | 507156008    | Presser bar bracket                  |
| 8          | 000081005    | Setscrew 4x8                         |
| 9          | 735029004    | Presser foot lifter                  |
| 10         | 751142004    | Tension release lever                |
| 11         | 827021004    | Presser bar                          |
| 12         | 000193001    | Setscrew TP 4x6                      |
| 13         | 652104004    | Presser bar bushing                  |
| 14         | 651014003    | Presser spring                       |
| 15         | 735028003    | Presser bar supporter                |
| 16         | 000111500    | Hexagonal socket screw 4x8           |
| 17         | 660508007    | Presser foot (unit)                  |
| 18         | 660806008    | Presser foot holder (unit)           |
| 19         | 685502019    | Zigzag foot                          |
| 20         | 660106001    | Thumbscrew                           |
| 21         | 751603400    | Needle plate (unit)                  |
| 22         | 653179003    | Needle plate                         |
| 23         | 654078004    | Bobbin holder set plate              |
| 24         | 820373003    | Setscrew 2x3                         |
| 25         | 832235010    | Hook cover set plate (Left)          |
| 26         | 825015010    | Hook cover set plate (Right)         |
| 27         | 825016000    | Hook cover release button            |
| 28         | 825017001    | Hook cover release button spring     |
| 29         | 820374004    | Setscrew 2x2.3                       |
| 30         | 820390109    | Setscrew                             |
| 31         | 750036012    | Hook cover plate                     |
| 32         | 822011109    | Reverse stopper                      |
| 33         | 000103808    | Setscrew 3x5                         |
| 34         | 751008007    | Needle plate adjusting plate (Left)  |
| 35         | 822314002    | Nut                                  |
| 36         | 000066705    | Setscrew 3x8                         |
| 37         | 751009008    | Needle plate adjusting plate (Right) |
| 38         | 751502109    | Stopper (unit)                       |
| 39         | 810220003    | Setscrew                             |
| 40         | 755076008    | Threader guide                       |

# PARTS LIST

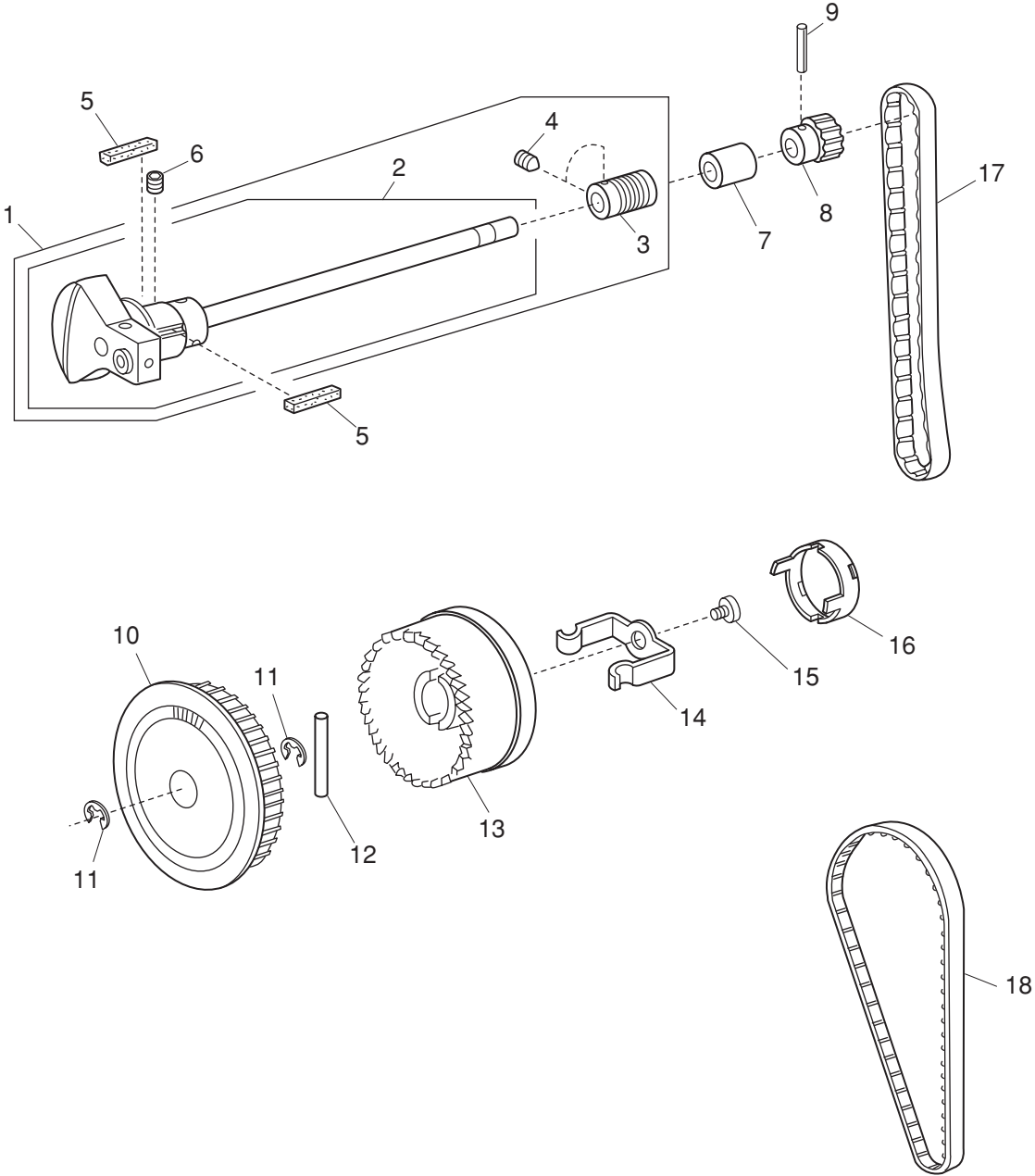




# PARTS LIST

| KEY NO. | PARTS NO. | DESCRIPTION                               |
|---------|-----------|---|
| 1       | 755627103 | Needle bar supporter (unit)               |
| 2       | 751014006 | Needle bar supporter                      |
| 3       | 000111201 | Hexagonal socket screw 4x4                |
| 4       | 751630015 | Needle bar (unit)                         |
| 5       | 807607019 | Threader positioning setting plate (unit) |
| 6       | 807018109 | Threader positioning setting plate        |
| 7       | 000111902 | Hexagonal socket screw 3x4                |
| 8       | 751047008 | Needle bar connecting stud                |
| 9       | 853509002 | Needle threader (unit)                    |
| 10      | 755062001 | Threader frame                            |
| 11      | 853026000 | Threader lever                            |
| 12      | 755067006 | Needle threader spring                    |
| 13      | 755625008 | Threader shaft (unit)                     |
| 14      | 755066005 | Threader shaft                            |
| 15      | 000003508 | Knock pin 2x8                             |
| 16      | 755643002 | Threader plate (unit)                     |
| 17      | 000125105 | Pin E2x16-CH                              |
| 18      | 102408089 | Needle HA1-14                             |
| 19      | 846615000 | Needle bar crank rod (unit)               |
| 20      | 652512009 | Needle bar crank pin (unit)               |
| 21      | 650039001 | Needle bar crank rod                      |
| 22      | 650040005 | Felt                                      |
| 23      | 650041006 | Felt holder                               |
| 24      | 650033005 | Needle bar supporter shaft                |
| 25      | 650034006 | Needle bar supporter shaft set plate      |
| 26      | 000101404 | Setscrew 4x6                              |
| 27      | 650035007 | Zigzag width crank                        |
| 28      | 000111108 | Hexagonal socket screw 4x6                |
| 29      | 650036008 | Needle bar supporter shaft spring         |
| 30      | 000001609 | Snap ring E-5                             |
| 31      | 507094007 | Needle bar supporter spring               |
| 32      | 820511108 | Thread take-up lever (unit)               |
| 33      | 650062003 | Thread take-up lever shaft                |
| 34      | 000002806 | Snap ring E-6                             |
| 35      | 507504809 | Tension regulator (unit)                  |
| 36      | 000101703 | Setscrew 4x12                             |
| 37      | 000115205 | TP screw 4x6                              |
| 38      | 507638009 | Tension release arm (unit)                |
| 39      | 752055002 | Tension release arm plate                 |
| 40      | 751215009 | Tension release arm                       |
| 41      | 752056003 | Tension release spring                    |
| 42      | 000002105 | Snap ring E-3                             |

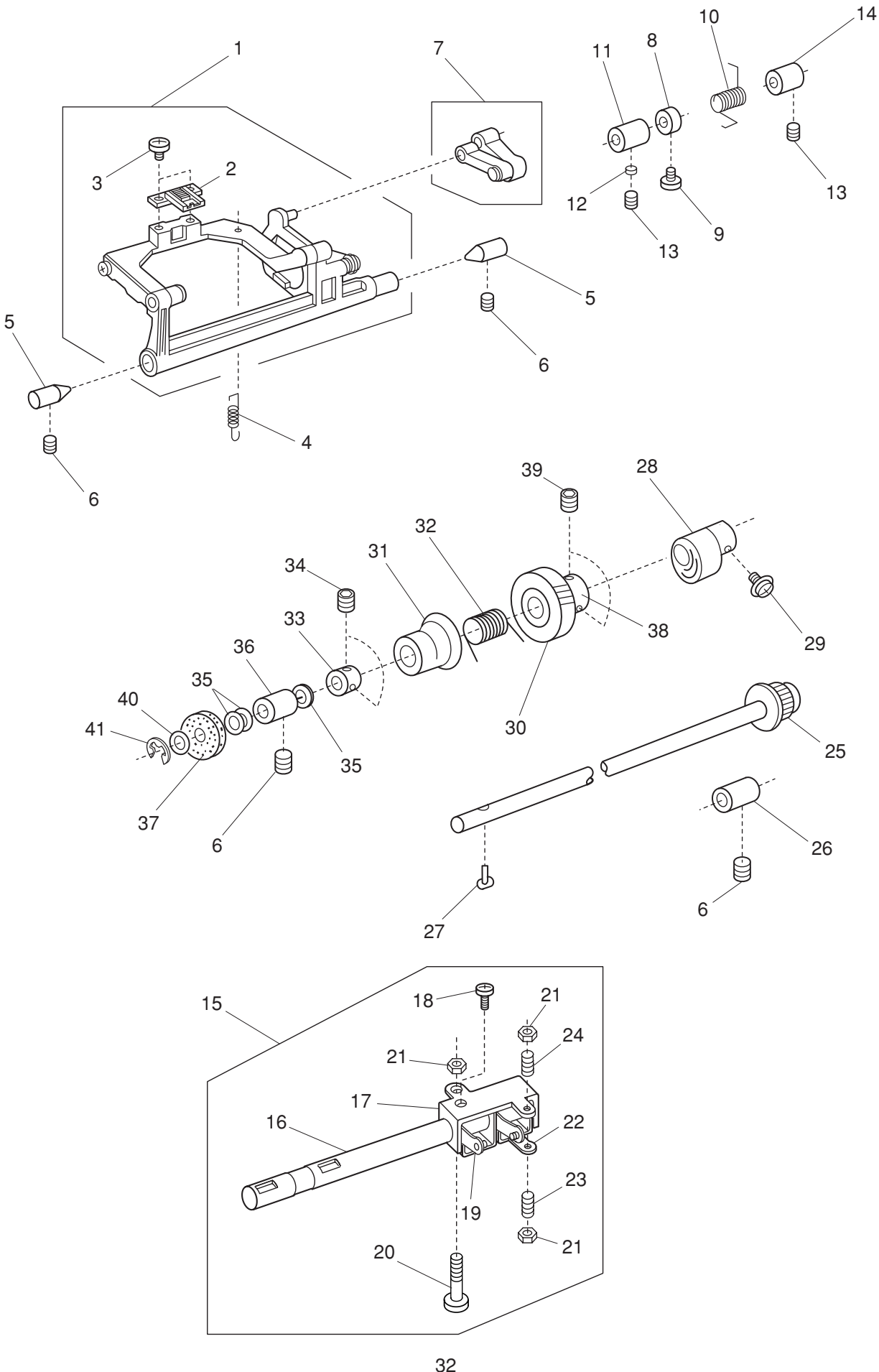
# PARTS LIST



## PARTS LIST

| KEY<br>NO. | PARTS<br>NO. | DESCRIPTION                |
|------------|--------------|----------------------------|
| 1          | 756607100    | Upper shaft (unit)         |
| 2          | 756504003    | Upper shaft (unit)         |
| 3          | 507059000    | Worm                       |
| 4          | 000111201    | Hexagonal socket screw 4x4 |
| 5          | 731384008    | Felt                       |
| 6          | 000111304    | Hexagonal socket screw 5x5 |
| 7          | 673062004    | Upper shaft rear bushing   |
| 8          | 756017004    | Upper shaft timing gear    |
| 9          | 000020501    | Spring pin 3x22            |
| 10         | 756018005    | Belt wheel                 |
| 11         | 000030205    | Snap ring E-8              |
| 12         | 000023803    | Spring pin 4x40            |
| 13         | 639097703    | Handwheel                  |
| 14         | 639113016    | Clutch spring              |
| 15         | 000081005    | Setscrew 4x8               |
| 16         | 650070048    | Handwheel cap              |
| 17         | 650071016    | Timing belt                |
| 18         | 653139023    | Timing belt                |

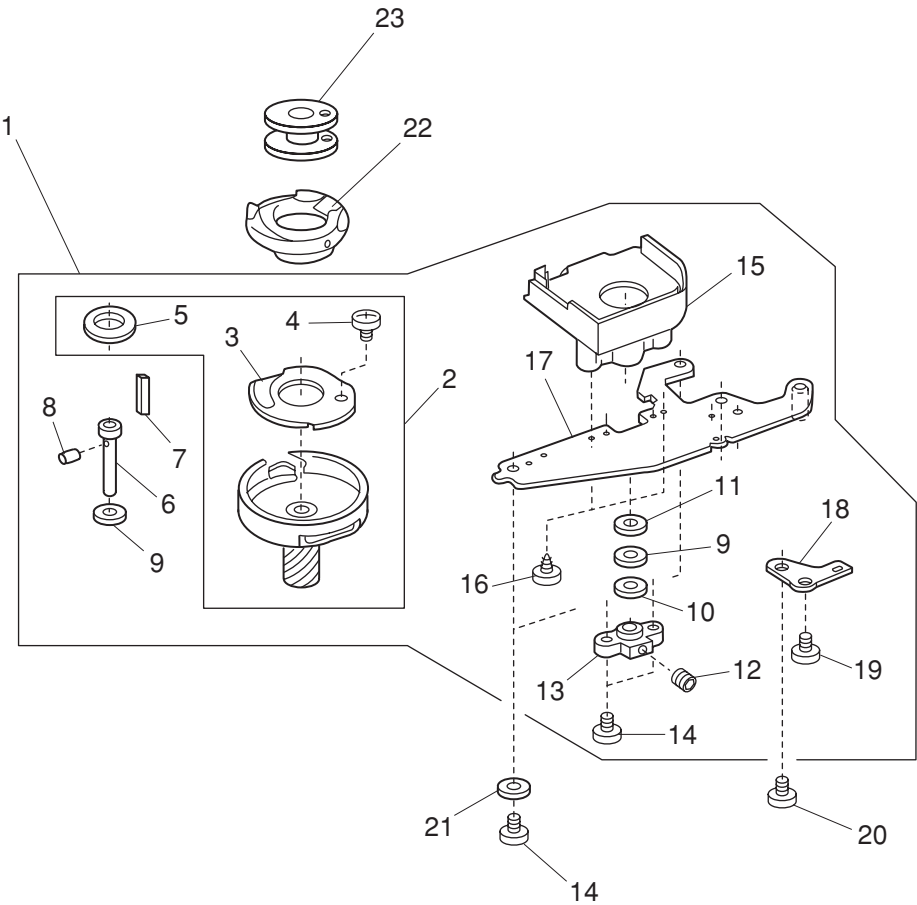
# PARTS LIST



## PARTS LIST

| KEY<br>NO. | PARTS<br>NO. | DESCRIPTION                 |
|------------|--------------|-----------------------------|
| 1          | 751666504    | Feed rock shaft (unit)      |
| 2          | 653193003    | Feed dog                    |
| 3          | 000104005    | Setscrew 3.5x8              |
| 4          | 650085002    | Spring                      |
| 5          | 738055008    | Straight pin                |
| 6          | 000111304    | Hexagonal socket screw 5x5  |
| 7          | 650612004    | Feed regulator (unit)       |
| 8          | 820387000    | Ring                        |
| 9          | 000081005    | Setscrew 4x8                |
| 10         | 507095008    | Regulator spring            |
| 11         | 625144002    | Feed shaft bushing (Front)  |
| 12         | 650175000    | Cushion                     |
| 13         | 000111201    | Hexagonal socket screw 4x4  |
| 14         | 650092002    | Feed shaft bushing (Rear)   |
| 15         | 507608103    | Feed regulator plate (unit) |
| 16         | 507062006    | Feed shaft                  |
| 17         | 507011103    | Feed shaft plate            |
| 18         | 000081500    | Setscrew 3x12               |
| 19         | 507064101    | SS adjusting plate          |
| 20         | 507087007    | Adjusting screw             |
| 21         | 000160102    | Adjustable lock nut 4       |
| 22         | 507063007    | Feed adjusting plate        |
| 23         | 648010009    | Setscrew                    |
| 24         | 000159201    | Setscrew 4x12               |
| 25         | 751612206    | Lower shaft (unit)          |
| 26         | 650079003    | Lower shaft bushing (Rear)  |
| 27         | 820161006    | Feed lifting cam pin        |
| 28         | 751148000    | Feed cam                    |
| 29         | 000115009    | TP screw 3x8                |
| 30         | 508023008    | Lower shaft gear            |
| 31         | 753183025    | Feed lifting cam            |
| 32         | 686035008    | Feed lifting cam spring     |
| 33         | 820166001    | Lower shaft ring            |
| 34         | 000111201    | Hexagonal socket screw 4x4  |
| 35         | 000038502    | Thrust washer ø8x0.5        |
| 36         | 650078002    | Lower shaft bushing (Front) |
| 37         | 735143005    | Felt                        |
| 38         | 508020005    | Ring                        |
| 39         | 000111108    | Hexagonal socket screw 4x6  |
| 40         | 858177002    | Washer                      |
| 41         | 000002806    | Snap ring E-6               |

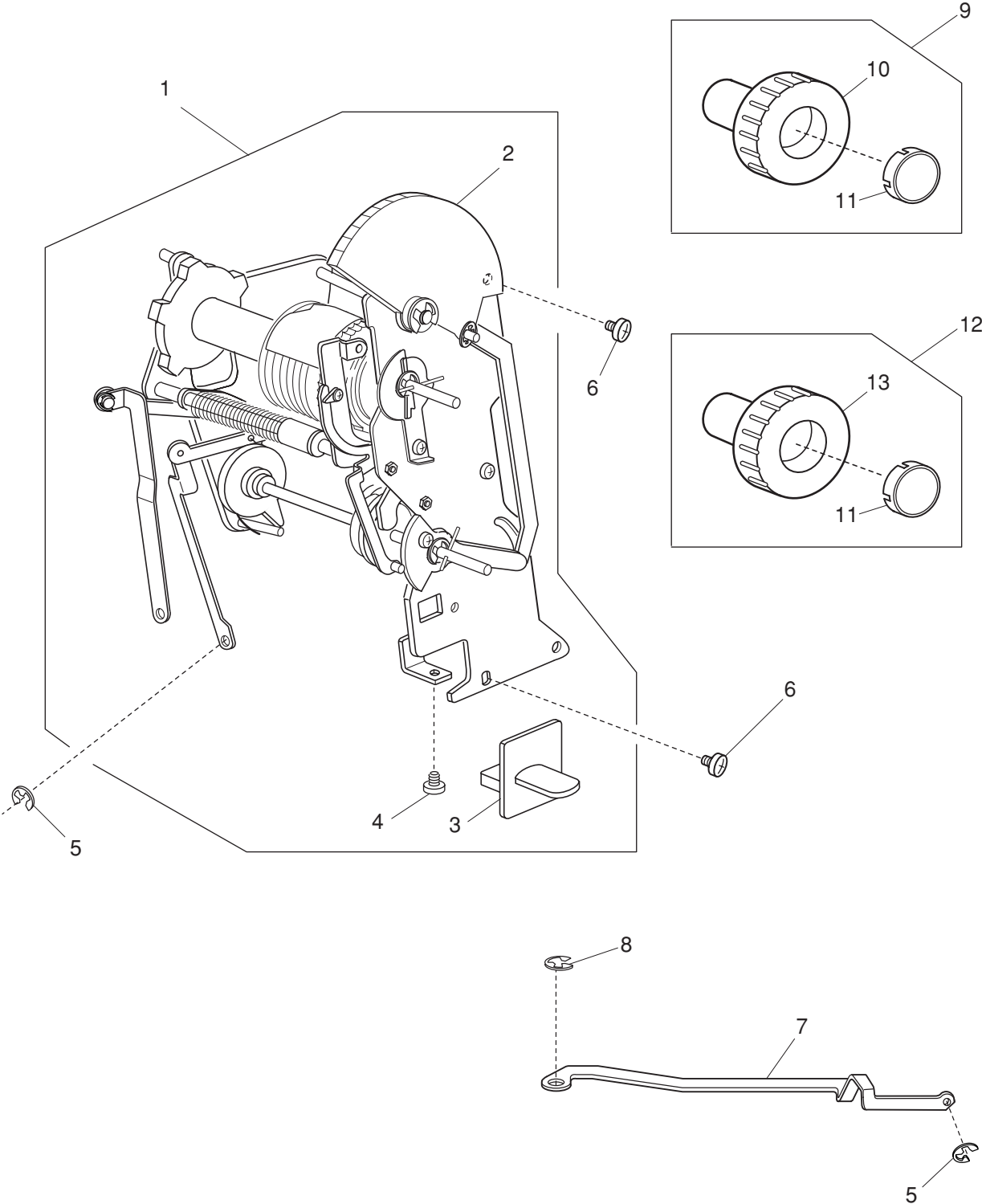
# PARTS LIST



## PARTS LIST

| KEY<br>NO. | PARTS<br>NO. | DESCRIPTION                |
|------------|--------------|----------------------------|
| 1          | 660655011    | Hook (unit)                |
| 2          | 660536004    | Hook body (unit)           |
| 3          | 508137006    | Hook race bottom plate     |
| 4          | 820374004    | Setscrew 2x2.3             |
| 5          | 627190010    | Hook race magnet           |
| 6          | 820123006    | Hook driver shaft          |
| 7          | 820124007    | Hook shaft oil felt (1)    |
| 8          | 820125008    | Hook shaft oil felt (2)    |
| 9          | 000038409    | Thrust washer              |
| 10         | 625102008    | Plain washer               |
| 11         | 627192001    | Washer                     |
| 12         | 000111304    | Hexagonal socket screw 5x5 |
| 13         | 650094004    | Hook shaft base            |
| 14         | 000081005    | Setscrew 4x8               |
| 15         | 827040009    | Hook gear cover            |
| 16         | 000107204    | Setscrew 3x12 (B)          |
| 17         | 823106002    | Hook base plate            |
| 18         | 650171006    | Positioning plate          |
| 19         | 000101404    | Setscrew 4x6               |
| 20         | 650172007    | Hinge screw                |
| 21         | 000070506    | Plain washer               |
| 22         | 627569106    | Bobbin holder (unit)       |
| 23         | 102261402    | Bobbin                     |

# PARTS LIST

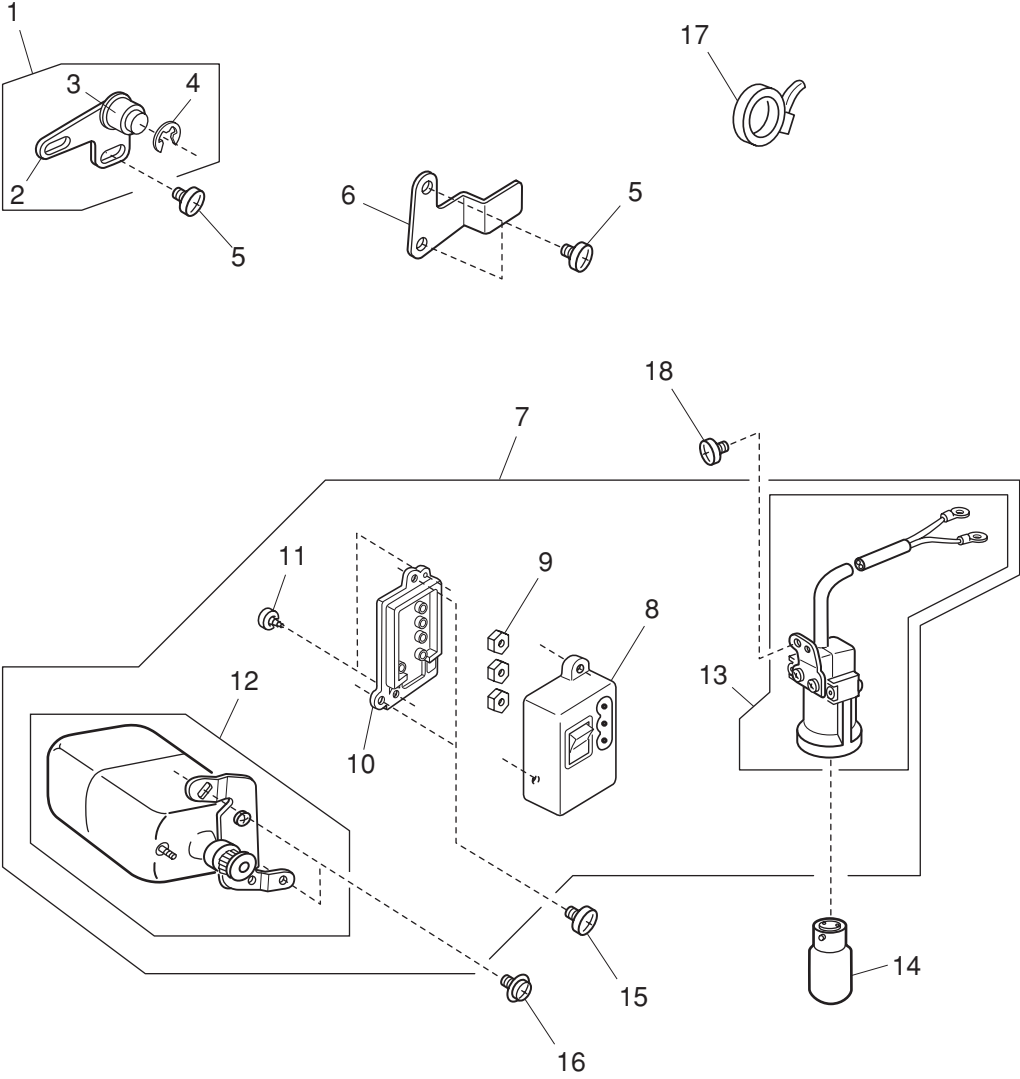




## PARTS LIST

| KEY<br>NO. | PARTS<br>NO. | DESCRIPTION                  |
|------------|--------------|------------------------------|
| 1          | 507633406    | Cam block (unit)             |
| 2          | 507041607    | Stitch width dial            |
| 3          | 507109132    | R lever                      |
| 4          | 000107307    | Set screw 3x8                |
| 5          | 000002105    | Snap ring E-3                |
| 6          | 000081005    | Setscrew 4x8                 |
| 7          | 507066000    | Zigzag width rod             |
| 8          | 000002507    | Snap ring E-4                |
| 9          | 507635486    | Pattern selector dial (unit) |
| 10         | 507112611    | Pattern selector dial        |
| 11         | 507113003    | Cap                          |
| 12         | 507635475    | Stitch length dial (unit)    |
| 13         | 507112622    | Stitch length dial           |

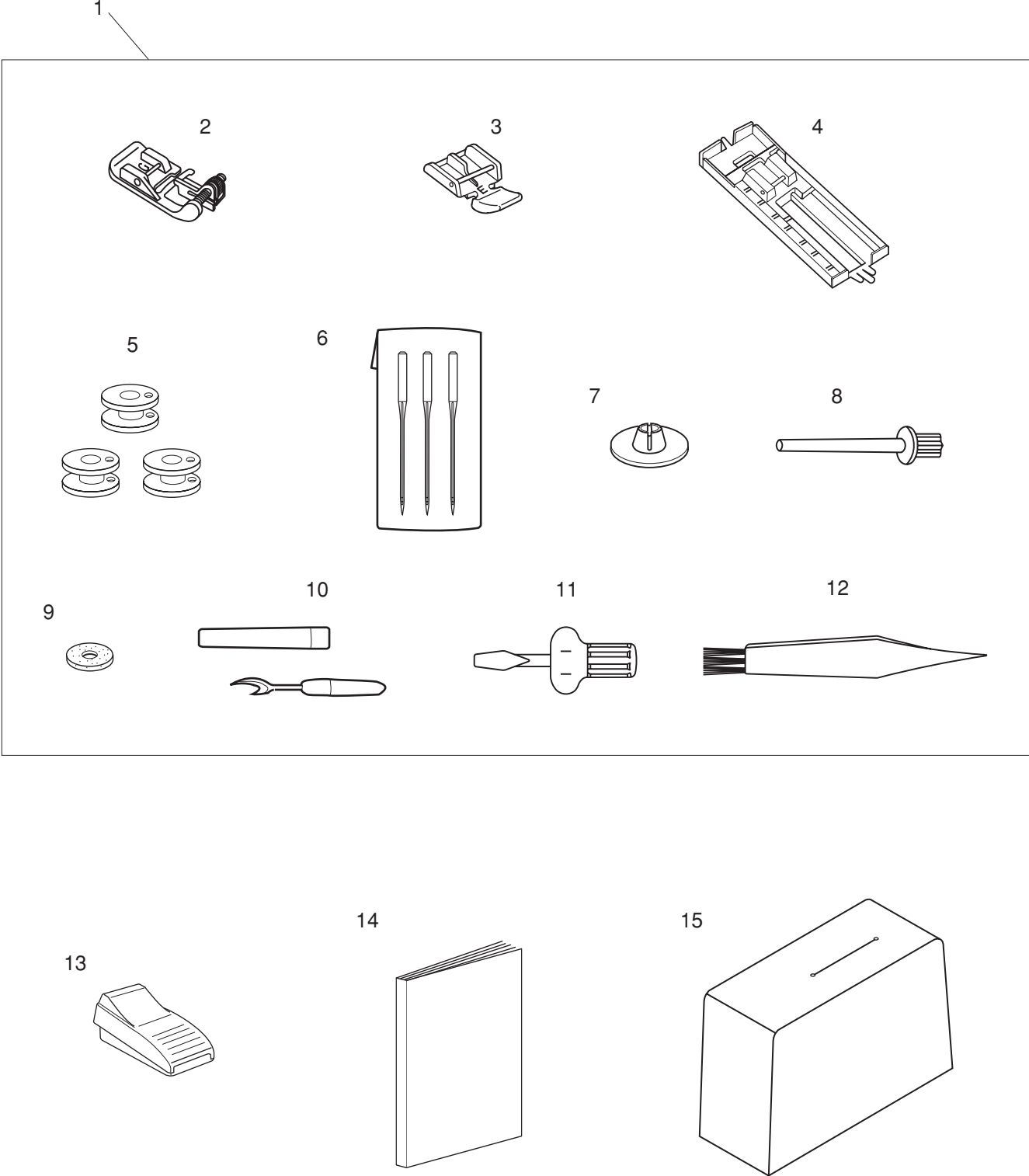
# PARTS LIST



## PARTS LIST

| KEY<br>NO. | PARTS<br>NO. | DESCRIPTION            |
|------------|--------------|------------------------|
| 1          | 753619003    | Idler (unit)           |
| 2          | 753119008    | Idler base             |
| 3          | 625217100    | Idler                  |
| 4          | 000002806    | Snap ring E-6          |
| 5          | 000081005    | Setscrew 4x8           |
| 6          | 507067001    | Machine socket bracket |
| 7          | 507668204    | Machine socket (unit)  |
| 8          | 739503308    | Machine socket (unit)  |
| 9          | 000060802    | Hexagonal nut 3-1-5.5  |
| 10         | 505064002    | Machine socket lid     |
| 11         | 000107802    | Setscrew 3x10          |
| 12         | 752671000    | Motor (unit)           |
| 13         | 507611006    | Lamp socket (unit)     |
| 14         | 000009009    | Lamp 240V 15W          |
| 15         | 000103509    | Setscrew 4x10          |
| 16         | 000115504    | Setscrew TP 5x10       |
| 17         | 000053709    | Cord binder            |
| 18         | 000101404    | Setscrew 4x6           |

# PARTS LIST



# PARTS LIST

| KEY<br>NO. | PARTS<br>NO. | DESCRIPTION          |
|------------|--------------|----------------------|
| 1          | 507870083    | Accessory set        |
| 2          | 820817015    | Blind stitch foot    |
| 3          | 829801002    | Zipper foot          |
| 4          | 825813016    | Buttonhole foot      |
| 5          | 102261402    | Bobbin               |
| 6          | 639804000    | Needle set           |
| 7          | 822019509    | Spool holder (Small) |
| 8          | 625031500    | Extra spool pin (2)  |
| 9          | 102403109    | Felt                 |
| 10         | 647808009    | Seam ripper          |
| 11         | 820832005    | Screwdriver          |
| 12         | 802424004    | Lint brush           |
| 13         | C-2040-1     | Foot control         |
| 14         | 507850238    | Instruction book     |
| 15         | 507818005    | Cover                |