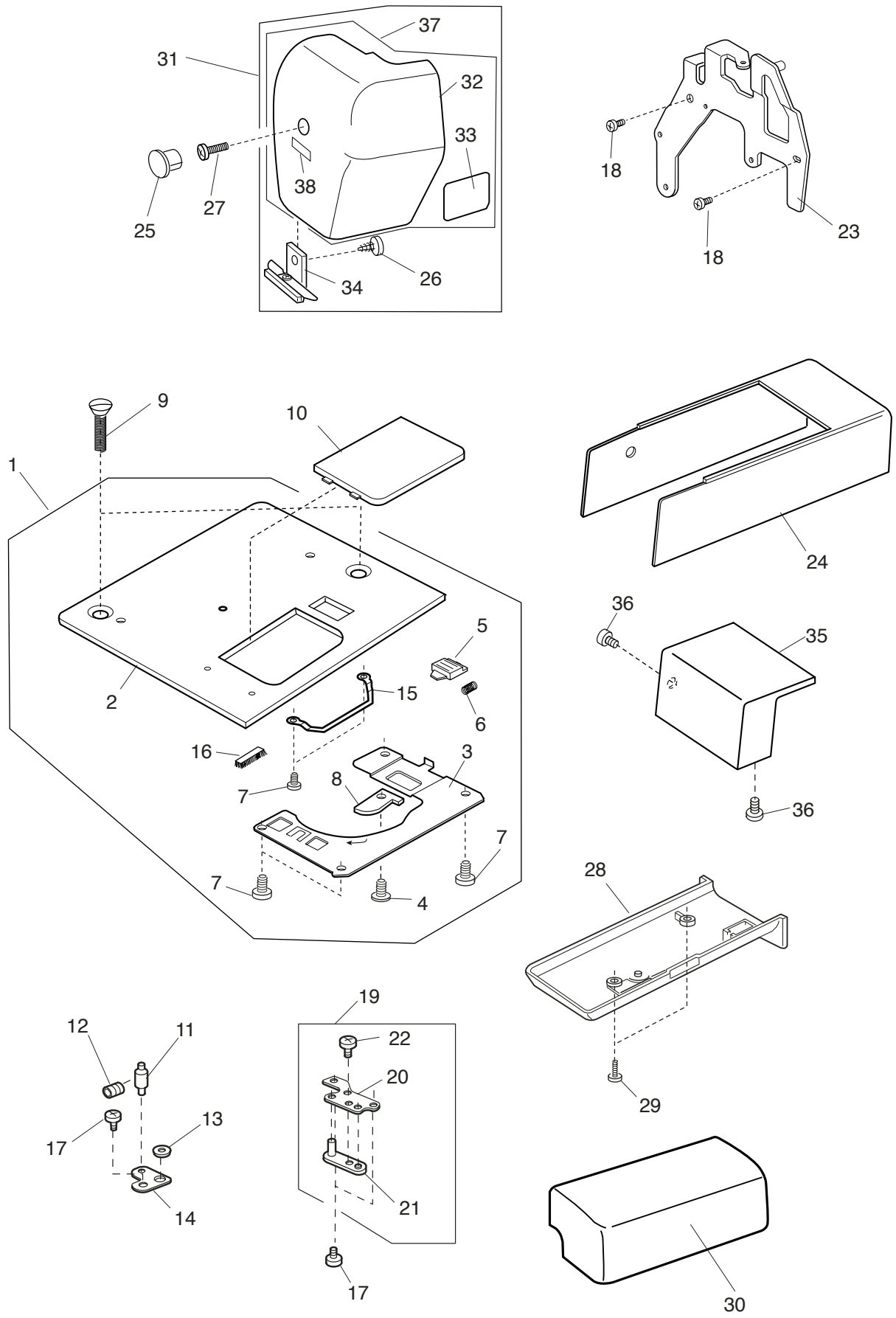


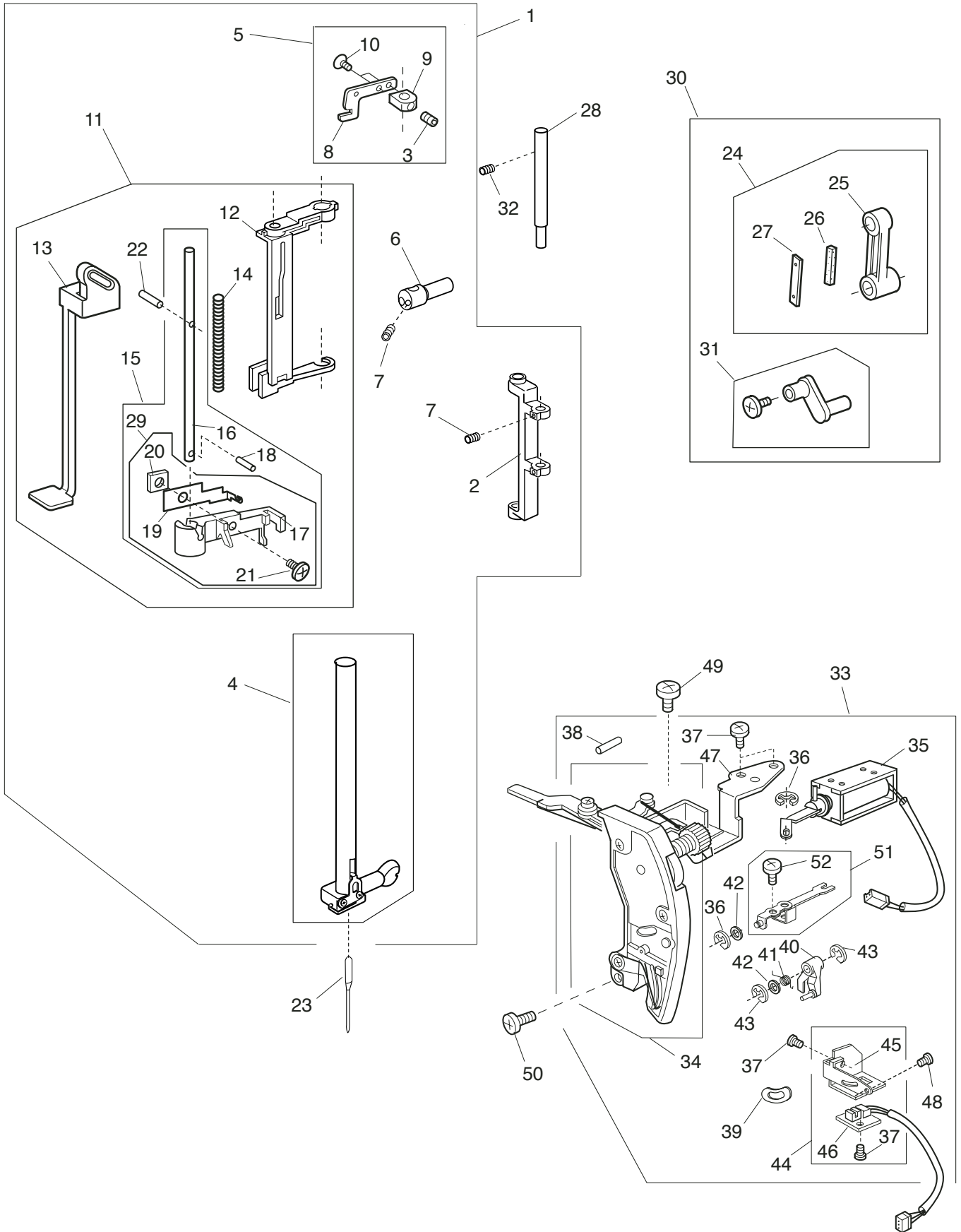
PARTSLIST



PARTSLIST

NO.	Parts #	Description
1	854621004	Needle plate (unit)
2	854104006	Needle plate
3	846030005	Hook cover plate supporter
4	000097613	Setscrew 2x4
5	825016000	Hook cover plate release button
6	825017001	Spring
7	820374004	Setscrew 2x2.3
8	846222109	Rotation stopper
9	820390109	Needle plate setscrew
10	846271103	Hook cover plate
11	860002002	Needle plate positioning pin
12	000111201	Hexagonal socket screw 4x4
13	822314002	Nut
14	860003014	Needle plate nut set plate
15	854105007	Bobbin threader holder lever
16	854138009	Lint brush
17	810220106	Setscrew
18	000081005	Setscrew 4x8
19	860601007	Needle plate set plate (right) (unit)
20	860004004	Needle plate set plate (right)
21	860005005	Needle plate adjusting plate
22	000101105	Setscrew 3x4
23	834014202	Carrying handle supporter (front)
24	852054004	Free arm cover
25	653006101	Cap
26	000161103	Setscrew 3x6
27	000103200	Setscrew 4x30
28	852055005	Bed cover
29	000103509	Setscrew 4x10
30	852003008	Extension table
31	852604005	Face plate (unit)(U.S.A, Australia, UK & Continental Europe)
	852604500	Face plate (unit)(Canada)
	852604407	Face plate (unit)(Chile)
32	852006104	Face plate (U.S.A., Canada, Australia, UK & Continental Europe)
	852006506	Face plate (Chile)
33	827099003	Reflecting sticker
34	832508006	Thread cutter (unit)
35	852056006	Thread cutter cover
36	810220106	Setscrew
37	852625002	Face plate (unit)(U.S.A., Canada, Australia, UK & Continental Europe)
	852625404	Face plate (unit)(Chile)
38	100517008	Sticker (Canada)

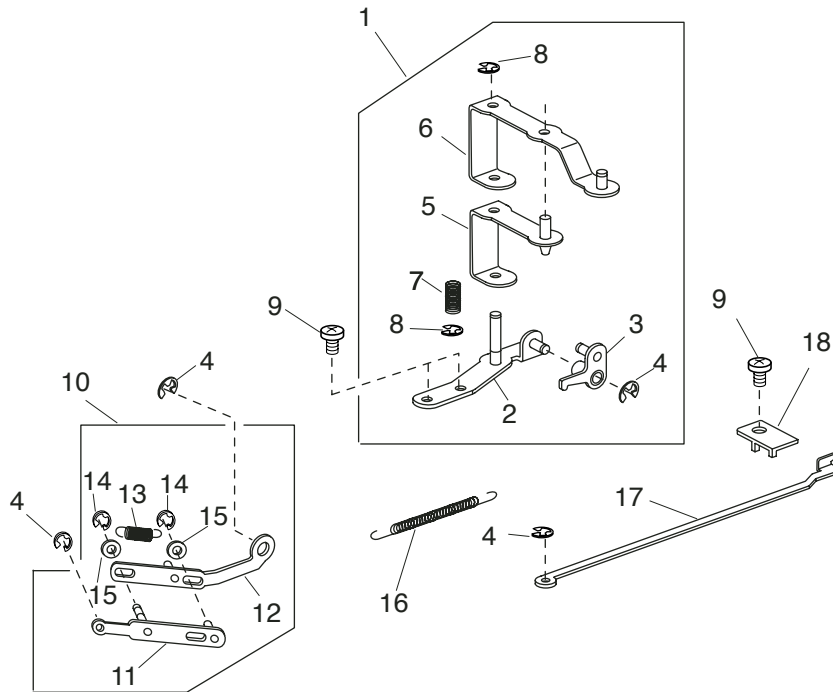
PARTSLIST



PARTSLIST

NO.	Parts #	Description
1	852605154	Needle bar supporter (unit)
2	751014006	Needle bar supporter
3	000111902	Hexagonal socket screw 3x4
4	830609518	Needle bar (unit)
5	857602008	Threader positioning setting plate (unit)
6	751047008	Needle bar connecting stud
7	000111201	Hexagonal socket screw 4x4
8	857037006	Threader positioning setting plate
9	751016008	Threader positioning setting block
10	000097602	Setscrew 2x4
11	853509127	Needle threader (unit)
12	755062001	Threader frame
13	853026011	Threader lever
14	755067006	Needle threader spring
15	857603010	Threader shaft (unit)
16	755066005	Threader shaft
17	857038007	Threader guard plate
18	000003508	Knock pin 2x8
19	857039101	Threader plate
20	755095003	Nut
21	755096004	Setscrew
22	000125105	Pin E2x16-CH
23	813404013	Stretch needle (Blue)
24	650607006	Needle bar crank rod (unit)
25	650039001	Needle bar crank rod
26	650040005	Felt
27	650041006	Spring
28	852007002	Needle bar supporter shaft
29	857604011	Threader plate (unit)
30	850662005	Needle bar crank (unit)
31	652512009	Needle bar crank pin (unit)
32	000111108	Hexagonal socket screw 4x6
33	852630000	Thread tension (unit)
34	852516009	Thread tension (unit)
35	854623006	Solenoid (unit)
36	000002105	Snap ring E3
37	000101105	Setscrew 3x4
38	000024505	Spring pin 1.6x18(K)
39	853037004	Cushion
40	830660001	Thread detection lever (unit)
41	834193000	Sensor lever spring
42	000071013	Washer 4
43	000001207	Snap ring E2.5
44	852607008	Sensor base plate (unit)
45	852012000	Sensor set plate F
46	852502002	Printed circuit board G1 (unit)
47	852060003	Solenoid set plate
48	000161103	Setscrew 3x6
49	000081005	Setscrew 4x8
50	000101703	Setscrew 4x12
51	854624007	Link (unit)
52	000103808	Setscrew 3x5

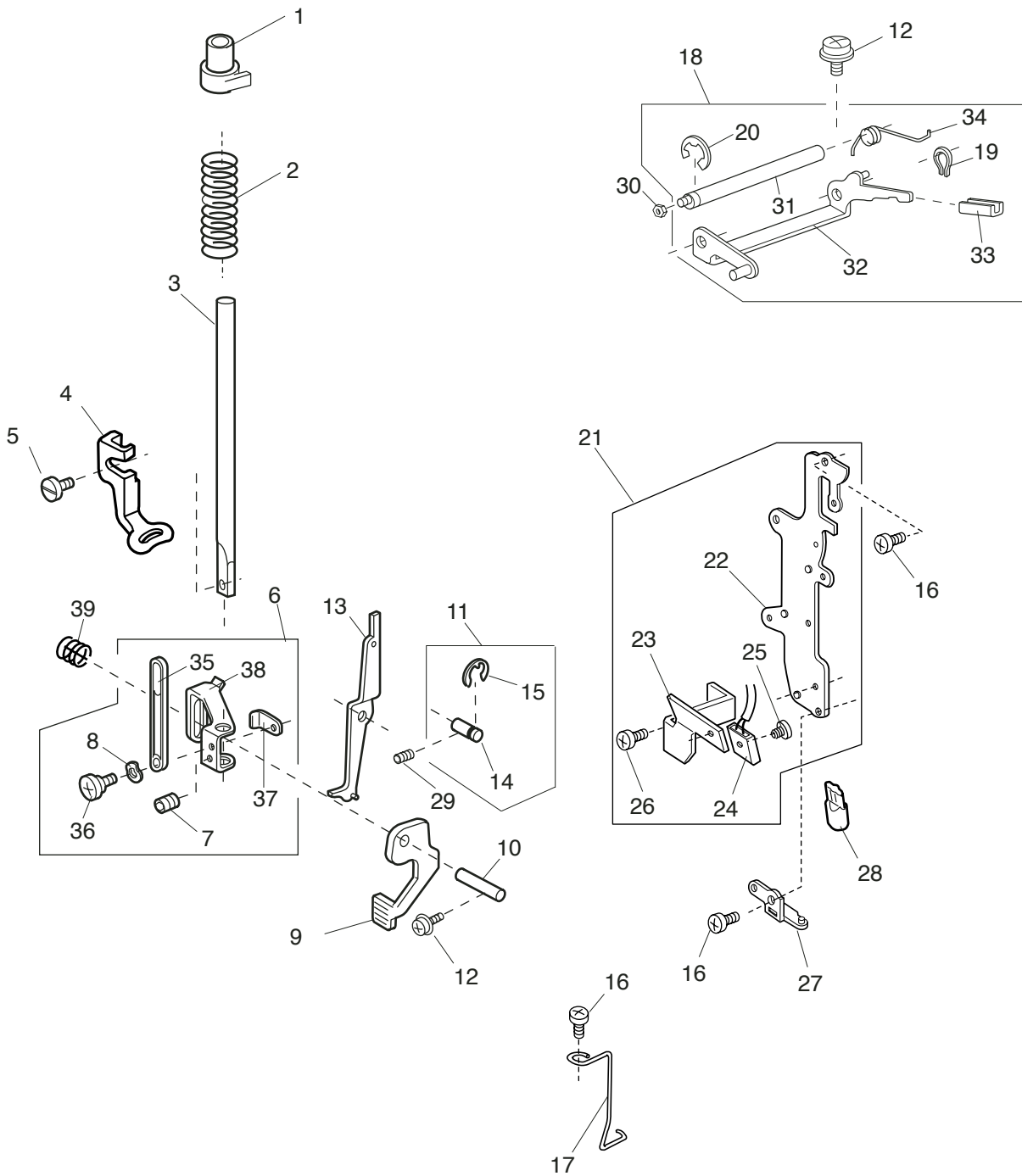
PARTSLIST



PARTSLIST

NO.	Parts #	Description
1	854625008	Clutch base plate (unit)
2	854111006	Clutch base plate
3	854112007	Clutch starting lever
4	000002105	Snap ring E3
5	854113008	Clutch arm 2
6	854114009	Clutch arm
7	854115000	Clutch arm 2 spring
8	000002507	Snap ring E 4
9	000081005	Setscrew 4x8
10	854626009	Rod (unit)
11	854116001	Rod 1
12	854117002	Rod 2
13	854118003	Rod spring
14	000070230	Washer 3
15	000002301	Snap ring E 2
16	854137008	Clutch arm spring
17	854119004	Clutch releasing arm
18	854120008	Clutch releasing arm guide

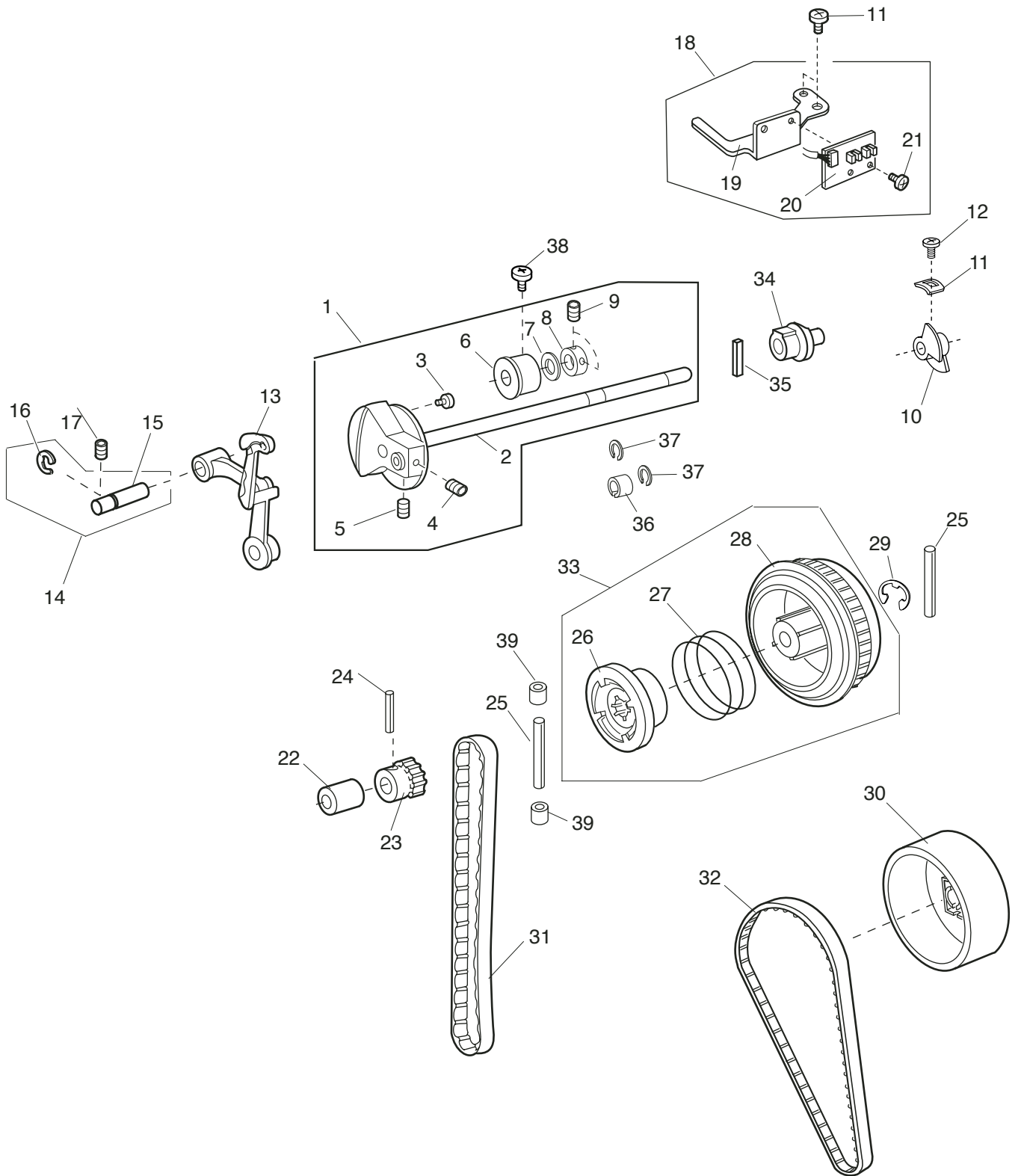
PARTSLIST



PARTSLIST

NO.	Parts #	Description
1	852009004	Presser bar bushing
2	830030006	Presser bar spring
3	830029002	Presser bar
4	830810042	Embroidery foot P
5	763048006	Setscrew
6	830586035	Presser bar supporter (unit)
7	000111500	Hexagonal socket screw 4x8
8	000116608	Washer 5
9	830035012	Presser foot lifter
10	822072005	Presser foot lifter pin
11	850546002	Thread tension release lever pin (unit)
12	000115629	Setscrew TP 4x8
13	830037025	Thread tension release lever
14	830338007	Thread tension release leverpin
15	000002507	Snap ring E4
16	000081005	Setscrew 4x8
17	830039027	Arm thread guide
18	830585012	Presser foot actuator arm (unit)
19	000014605	Snap ring 6
20	000001609	Snap ring E5
21	852608009	Front bracket (unit)
22	852015003	Front bracket
23	852039025	Lamp set plate
24	501509404	Lamp socket (unit)
25	000115308	Setscrew TP 2x8
26	000103808	Setscrew 3x5
27	851045009	Threader guide plate
28	000026002	Wedge base lamp 12V 5W
29	000111201	Hexagonal socket screw 4x4
30	000061205	Nut 4-3-7
31	830060005	Presser foot actuator shaft
32	830061017	Presser foot actuator arm
33	830062007	Actuator arm
34	830063008	Spring
35	830032019	Presser bar link
36	830034000	Setscrew
37	830033009	Nut
38	830031029	Presser bar supporter
39	102222009	Spring

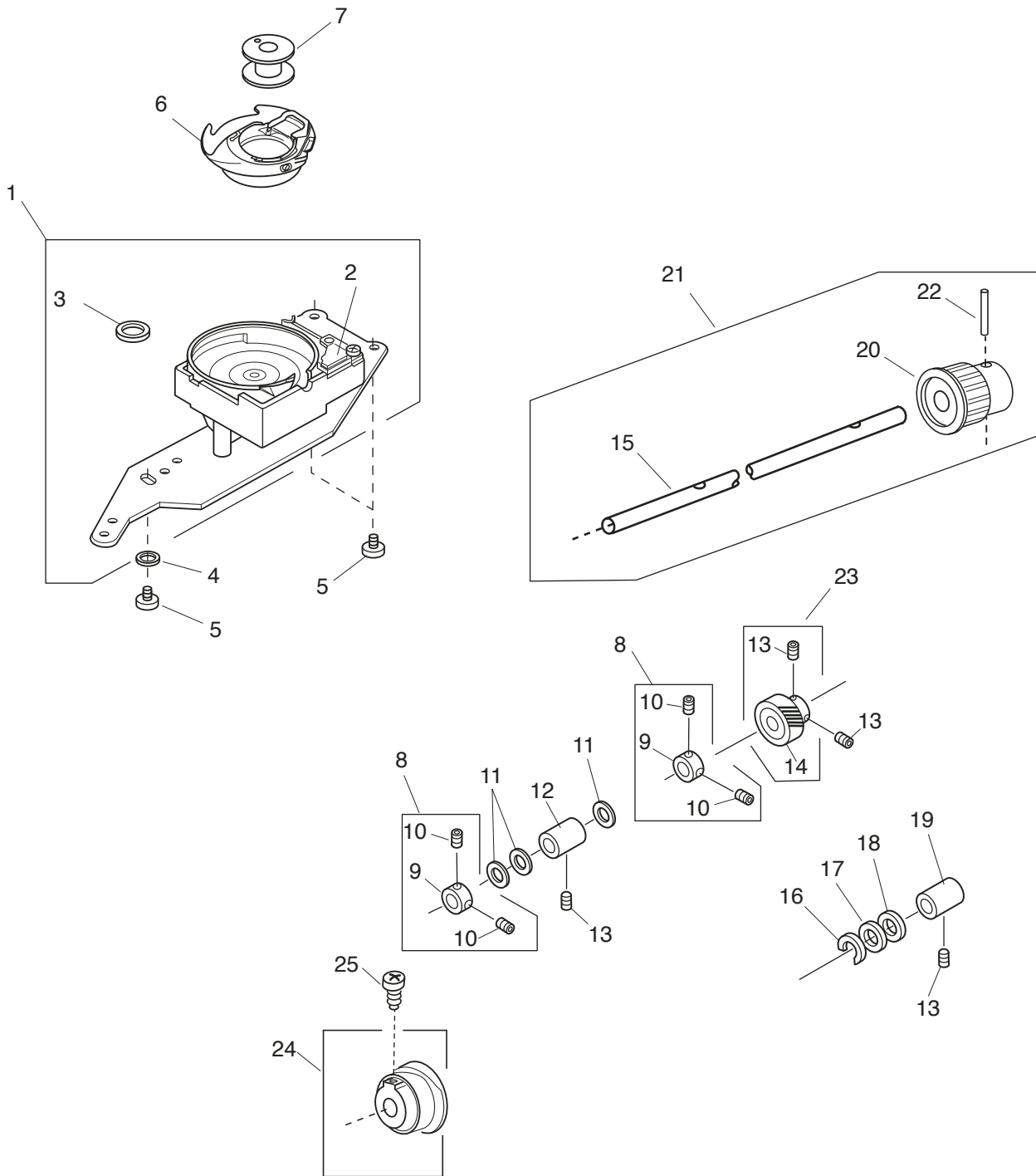
PARTSLIST



PARTSLIST

NO.	Parts #	Description
1	854639108	Upper shaft (unit)
2	854141108	Upper shaft
3	000078319	Setscrew 3x6
4	000110901	Hexagonal socket screw 5x4
5	000111706	Hexagonal socket screw 5x8
6	829042007	Upper shaft front bushing
7	000038605	Washer 10x0.5
8	639095000	Upper shaft ring
9	000111304	Hexagonal socket screw 5x5
10	830095010	Upper shaft shielding plate
11	820102009	Washer
12	000081005	Setscrew 4x8
13	820511201	Thread take-up lever (unit)
14	650626001	Thread take-up lever pin (unit)
15	650062003	Thread take-up lever pin
16	000001702	Snap ring E6
17	000111201	Hexagonal socket screw 4x4
18	854637003	Upper shaft sensor (unit)
19	854136007	Upper shaft sensor set plate
20	854506002	Printed circuit board P (unit)
21	000101105	Setscrew 3x4
22	851062002	Upper shaft rear bushing
23	830341003	Upper shaft gear
24	000004303	Knock pin 3x20
25	000024206	Knock pin 3x30
26	502064003	Clutch ring
27	661024007	Clutch spring
28	303025009	Belt wheel
29	000030205	Snap ring E8
30	502068605	Handwheel
31	650071005	Timing belt
32	850165003	Timing belt
33	852629109	Belt wheel (unit)
34	854121009	Upper shaft releasing cam
35	731384008	Felt
36	000208505	Bearing
37	000032609	Snap ring 5103-37
38	000101703	Setscrew 4x12
39	854143007	Cushion

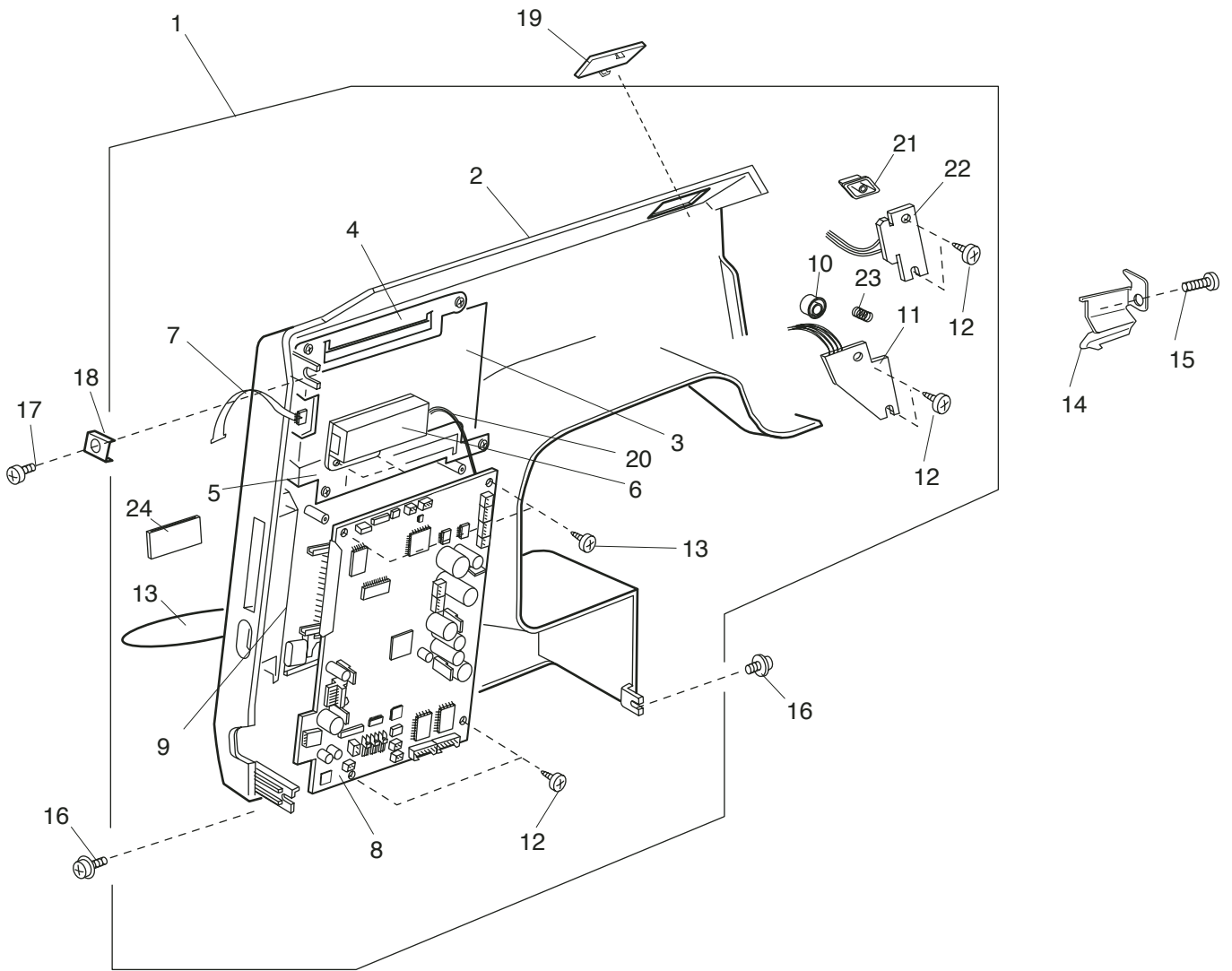
PARTSLIST



PARTSLIST

NO.	Parts #	Description
1	854629002	Hook race (unit)
2	846632003	Bobbin holder stopper (unit)
3	627190010	Magnet
4	000070506	Washer 4
5	000081005	Setscrew 4x8
6	846652102	Bobbin holder (unit)
7	102261103	Bobbin
8	820672005	Lower shaft ring (unit)
9	820166001	Lower shaft ring
10	000111201	Hexagonal socket screw 4x4
11	000038502	Washer 8x0.5
12	650078002	Lower shaft bushing (front)
13	000111304	Hexagonal socket screw 5x5
14	650076000	Lower shaft gear
15	854122000	Lower shaft
16	822112008	Felt holder(1)
17	822070003	Felt (1)
18	000036201	Thrust washer FT 80
19	650079003	Lower shaft bushing (rear)
20	650073007	Lower gear
21	854627000	Lower shaft (unit)
22	000004200	Knock pin 3x18
23	850687006	Lower shaft gear (unit)
24	854628012	Cam (unit)
25	000114802	Setscrew TP 4x12

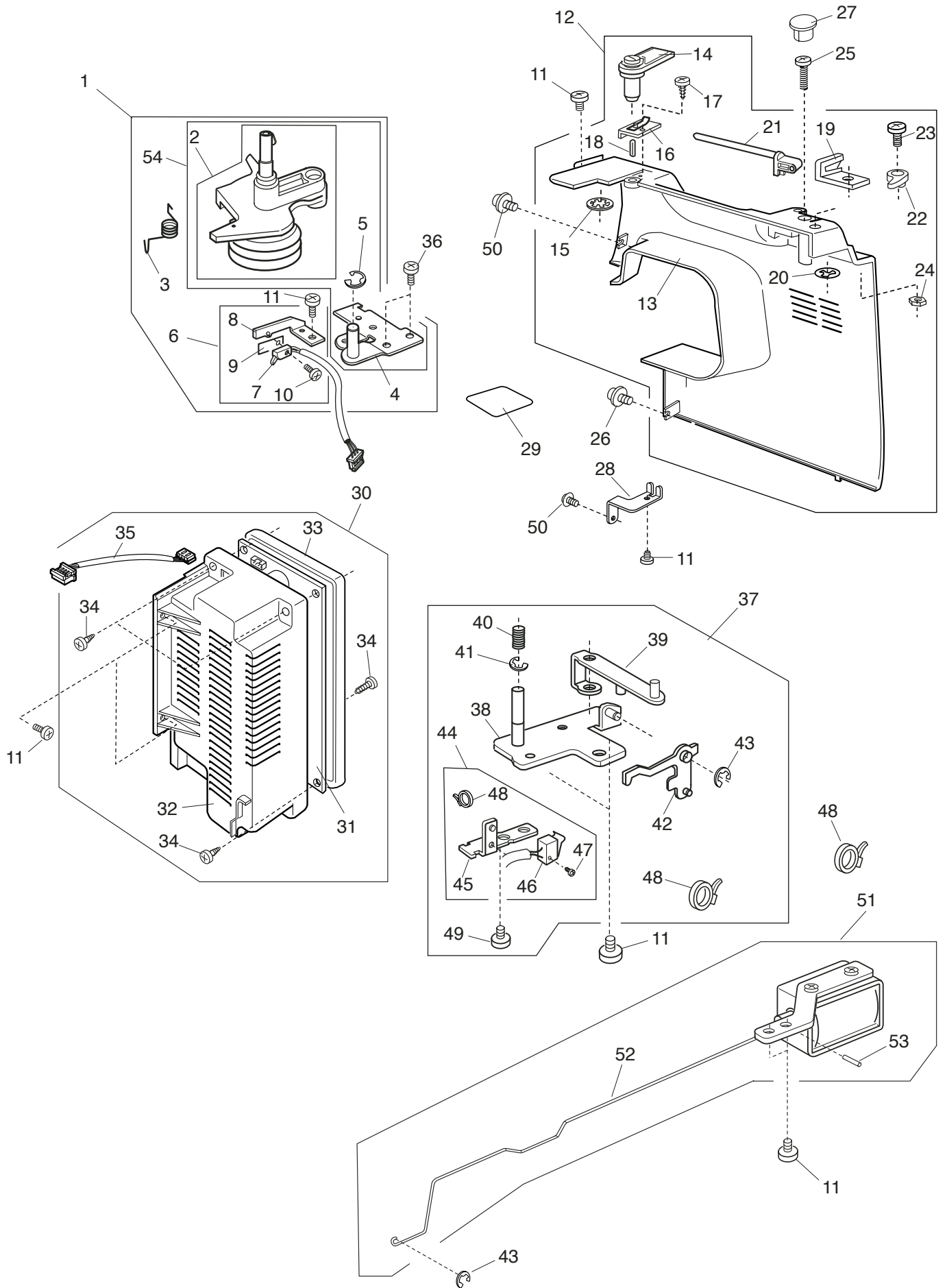
PARTSLIST



PARTSLIST

NO.	Parts #	Description
1	852631001	Front cover (whole unit)(U.S.A. & Canada)
	852631104	Front cover (whole unit)(Australia, UK, Chile & Continental Europe)
2	852016705	Front cover
3	852610004	LCD (unit)
4	852017005	LCD set plate (upper)
5	852611005	LCD set plate (lower) (unit)
6	850612103	Inverter (unit)
7	852505005	LCD harness (unit)
8	852633003	Printed circuit board A (unit)
9	852019018	Card guide
10	852020104	Start/stop button
11	852519002	Printed circuit board F (unit)
12	000120203	Setscrew 3x8(B)
13	852059009	Emblem
14	825183010	Arm thread guide (lower)
15	000096508	Setscrew 3.5x25
16	000115607	Setscrew TP 4x8
17	000066705	Setscrew 3x8
18	832177002	Washer
19	852023004	Front cover cap
20	850524004	Inverter harness (unit)
21	852058101	Button 1
22	852518001	Printed circuit board F2 (unit)
23	852053003	Start/stop button support spring
24	860557007	Ferrite core (Australia, UK, Chile and Continental Europe)

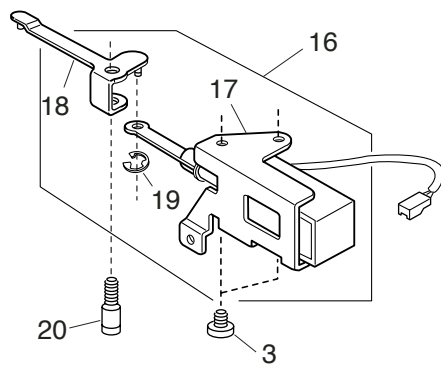
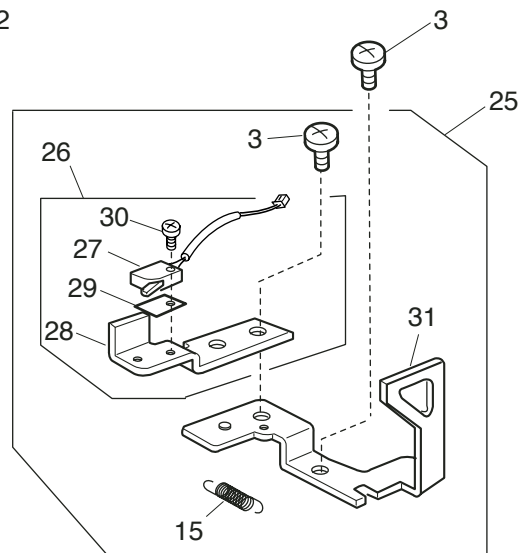
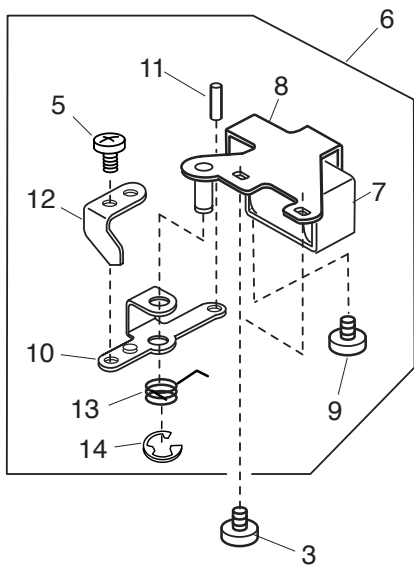
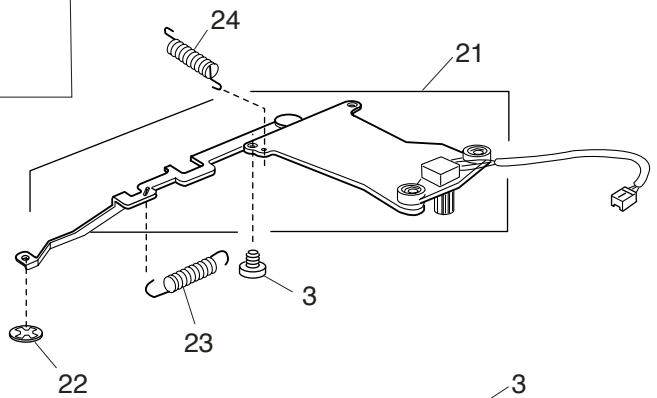
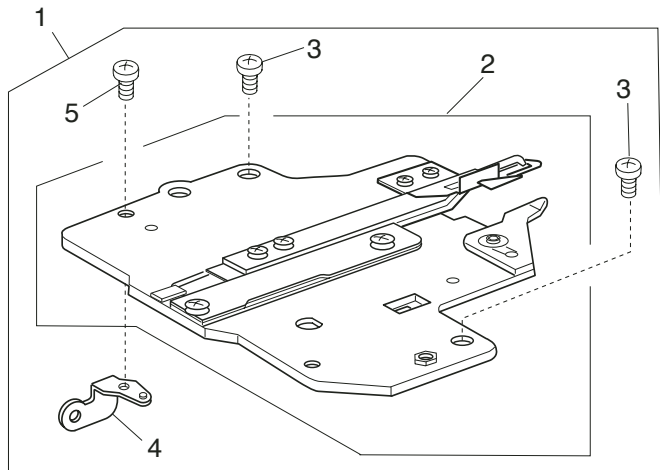
PARTSLIST



PARTSLIST

NO.	Parts #	Description
1	854640009	Bobbin winder (unit)
2	852509009	Bobbin winder (unit)
3	823119008	Spring
4	854140004	Bobbin winder set plate
5	000001609	Snap ring E5
6	852615009	Bobbin winderswitch (unit)
7	852510003	Micro switch (unit)
8	852042009	switchset plate2
9	852014002	Insulation paper
10	000041209	Setscrew 1.7x6
11	000081005	Setscrew 4x8
12	852637018	Rear cover (unit)(U.S.A., Canada, Australia, UK & Continental Europe)
	852637100	Rear cover (unit)(Chile)
13	852002100	Rear cover (U.S.A., Canada, Australia, UK & Continental Europe)
	852002605	Rear cover (Chile)
14	650503702	Thread guide (unit)
15	000014409	Snap ring CS8
16	834555107	Top cover thread guide plate (unit)
17	000162001	Setscrew 2.6x5
18	000024804	Spring pin 2x12
19	840602109	Thread cutter (unit)
20	000014306	Snap ring CS3
21	659067005	Additional spool pin
22	505062000	Bobbin winder stopper
23	000101828	Setscrew 4x16
24	000061205	Nut4-3-7
25	000103200	Setscrew 4x30
26	000115205	Setscrew TP 4x6
27	653006101	Cap
28	853021005	Rear cover set plate
29	850201002	Carriage sticker
30	850628205	Switching power supply (unit)
31	850541203	Switching power supply (unit)
32	850157024	Switching power supply case
33	850158014	Switching power supply cap
34	000119704	Setscrew 3x14(B)
35	850523003	Power supply harness (unit)
36	810220106	Setscrew
37	854633009	Driving arm shaft base (unit)
38	860045007	Driving arm shaft base
39	846233000	Driving arm (1)
40	846154006	Spring
41	000002507	Snap ring E4
42	854133004	Thread cutter starting lever
43	000002105	Snap ring E3
44	860624109	Thread cutter sensor (unit)
45	860047009	Thread cutter sensor set plate
46	846513605	Micro switch (unit)
47	000102900	Setscrew 2x8
48	000053606	Cord binder
49	000101105	Setscrew 3x4
50	000115607	Setscrew TP 4x8
51	854632008	Thread cutter solenoid (unit)
52	854131002	Thread cutter starting rod
53	000005304	Knock pin 3x8
54	854641000	Bobbin winder (unit)

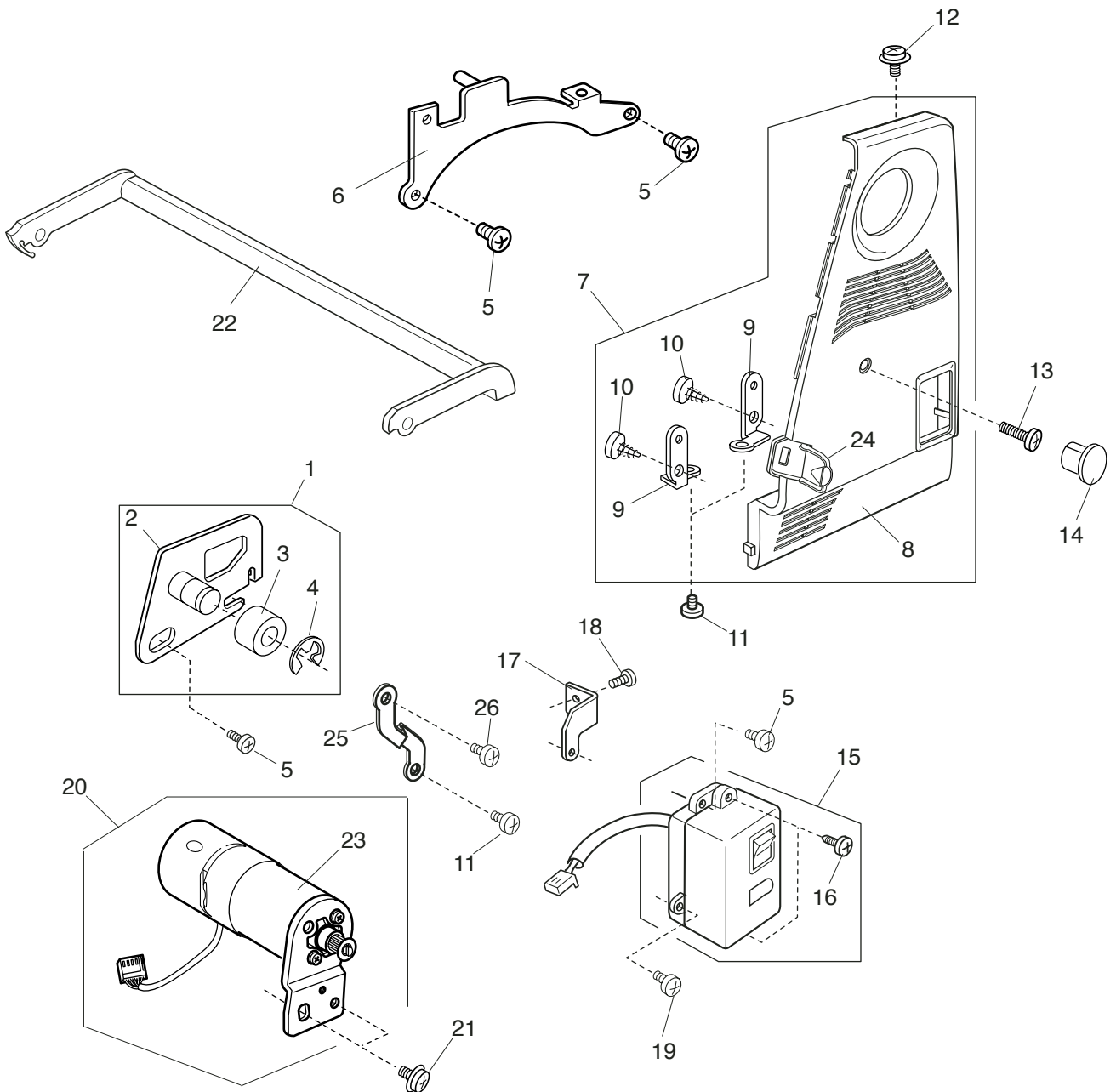
PARTSLIST



PARTSLIST

NO.	Parts #	Description
1	852634004	Thread cutter (unit)
2	860625007	Thread cutter (unit)
3	000081005	Setscrew 4X8
4	852057007	Thread cutter cover set plate
5	000101105	Setscrew 3X4
6	854631007	Needle thread solenoid (unit)
7	854508004	Needle thread solenoid (unit)
8	854127005	Solenoid set plate
9	000163806	Setscrew 2.6X4
10	854128006	Thread drawing leverArm
11	000003900	Knock pin 2.5X8
12	854129007	Thread drawing lever actuator plate
13	854130001	Spring
14	000002507	Snap ring E4
15	852050000	Thread tension release lever spring
16	850645013	Bobbin thread sensor solenoid (unit)
17	832613027	Bobbin thread sensor solenoid (unit)
18	850083006	Bobbin thead detect arm
19	000002105	Snap ring E3
20	846220004	Setscrew
21	850618109	Sensor set plate (unit)
22	000013707	Snap ring CS 2.4
23	850089002	Safety spring
24	850212017	Arm spring
25	854636002	Presser foot lifter switch (unit)
26	852621008	Presser foot lifter switch (unit)
27	852510106	Micro switch (unit)
28	852013001	Switch set plate 1
29	852014002	Insulation paper
30	000041209	Setscrew 4X8
31	854135006	Presser foot lifter switch base plate

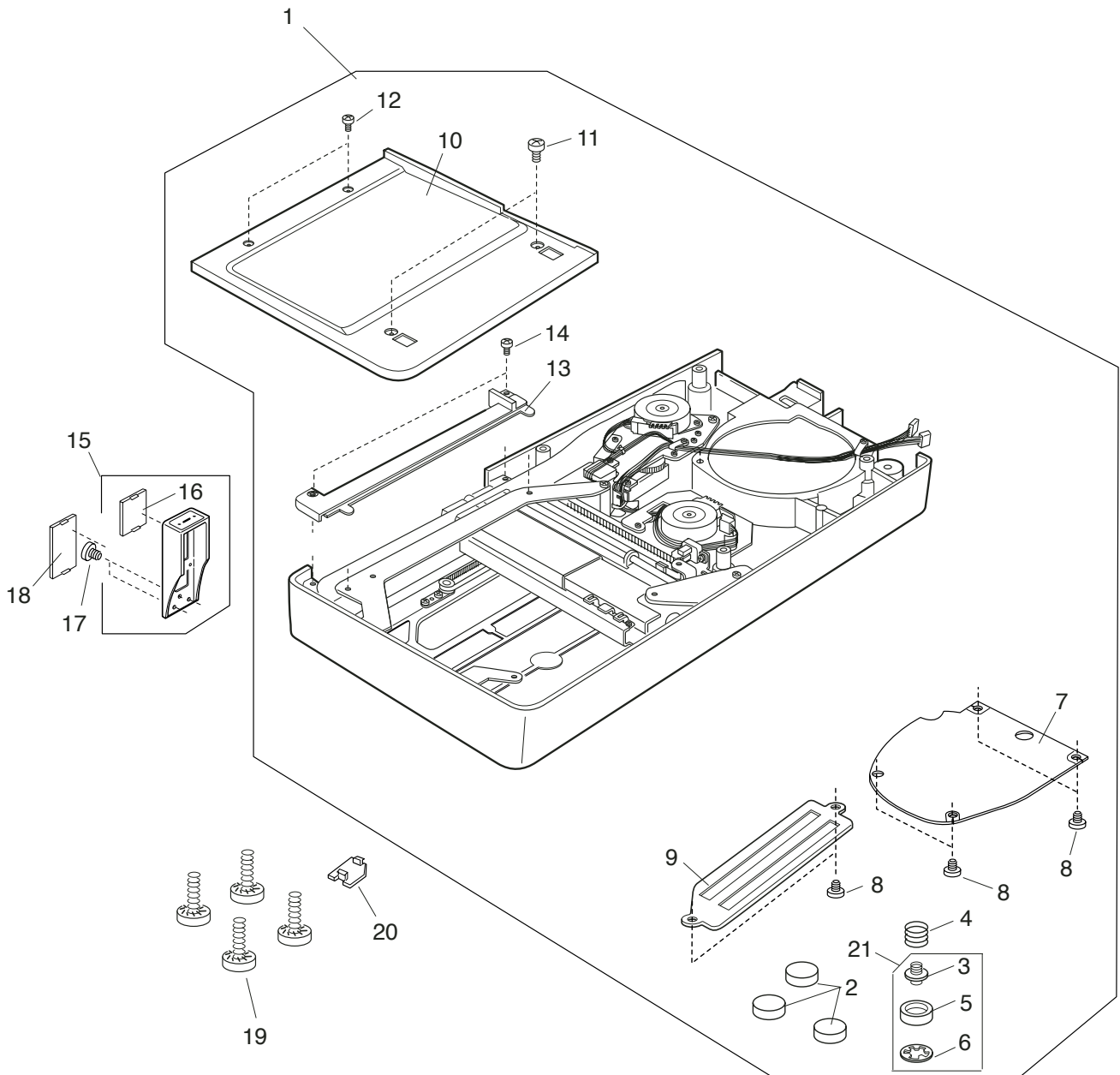
PARTSLIST



PARTSLIST

NO.	Parts #	Description
1	851617008	Idler (unit)
2	851039000	Idler base
3	625217100	Idler
4	000002806	Snap ring E6
5	000081005	Setscrew 4x8
6	852032006	Carrying handle supporter (rear)
7	853614207	Belt cover (unit)
8	852031304	Belt cover
9	832099009	Belt cover attaching plate(1)
10	000161103	Setscrew 3x6(B)
11	000078319	Setscrew 3x6
12	000115009	Setscrew TP 3x8
13	000104108	Setscrew 4x20
14	653006101	Cap
15	852513006	Machine socket (unit)(U.S.A & Canada)
	852514007	Machine socket (unit)(Australia, UK, Chile & Continental Europe)
16	000107802	Setscrew 3x10(B)
17	852036000	Machine socket set plate
18	810220106	Setscrew
19	000101817	Setscrew 4x16
20	852620030	DC Motor (unit)
21	000115607	Setscrew TP 4x8
22	854139003	Carrying handle
23	852512108	DC Motor (unit)
24	853022006	Connector cover
25	857025001	Motor setting support plate
26	000101404	Setscrew 4x6

PARTSLIST

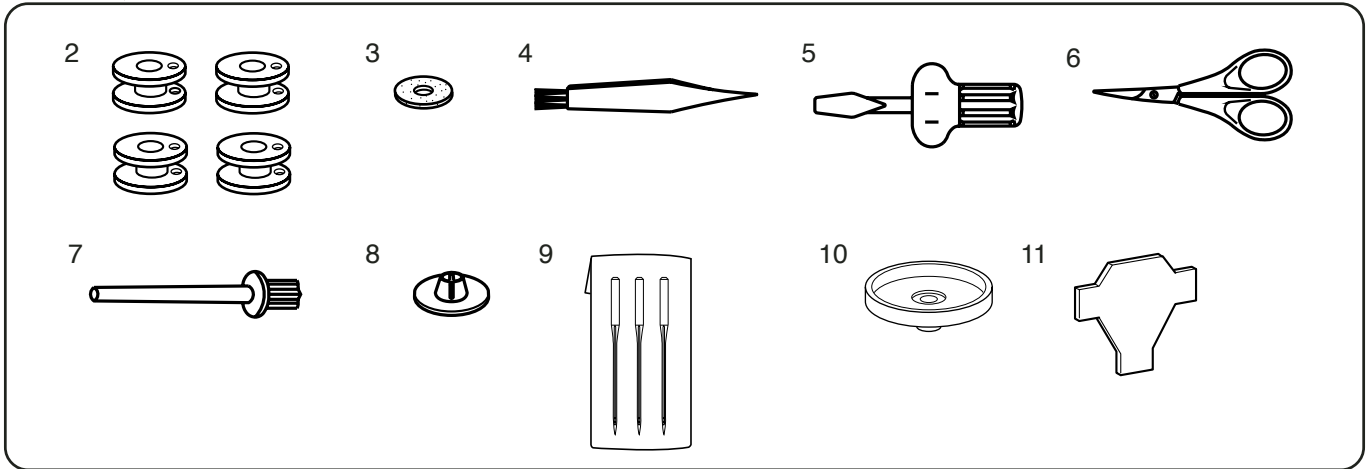


PARTSLIST

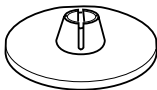
NO.	Parts #	Description
1	852617104	Base (unit)
2	830150003	Rubber foot
3	820350004	Adjusting screw
4	820351005	Spring
5	605074008	Rubber foot
6	813123004	Snap ring CS
7	850151017	Base lid
8	810220106	Setscrew
9	832146002	Base lid (1)
10	851053103	Base cover
11	000101426	Setscrew 4x6
12	000101127	Setscrew 3x4
13	850147205	Sheet cover
14	000066727	Setscrew 3x8
15	850627101	Carriage plate (unit)
16	850169007	Cover 2
17	000078319	Setscrew 3x6
18	850156001	Cover
19	000127107	Setscrew 6x35
20	851071015	Base lid (3)
21	717618000	Adjusting screw (unit)

PARTSLIST

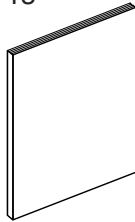
1



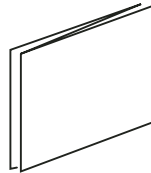
12



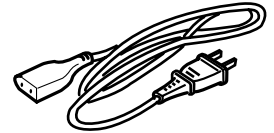
13



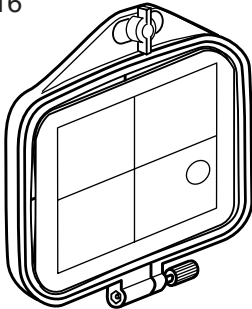
14



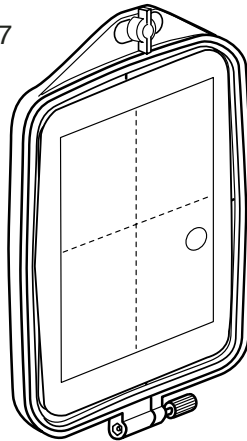
15



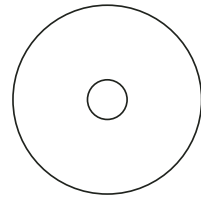
16



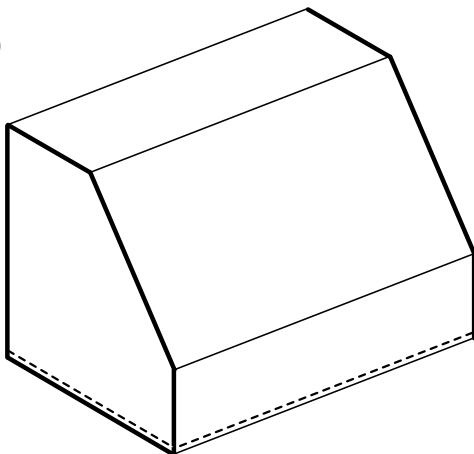
17



18



19



PARTSLIST

NO.	Parts #	Description
1	852801004	Standard accessories (unit)
2	102261103	Bobbin
3	102403109	Felt
4	802424004	Lint brush
5	820832005	Screwdriver (large)
6	822814007	Scissors
7	625031500	Additional spool pin
8	822019509	Spool holder (small)
9	852802108	Needle (unit)
10	829803004	Spool stand
11	653802002	Screwdriver
12	822020503	Spool holder (large)
13	852850008	Instruction book (unit)(U.S.A.)
	852850101	Instruction book (unit)(Canada)
	852850204	Instruction book (unit)(Continental Europe)
	852850307	Instruction book (unit)(Australia)
	852850400	Instruction book (unit)(UK)
	852850503	Instruction book (unit)(Chile)
14	852852000	Template sheet (unit)
15	653524007	Power supply cord(U.S.A. & Canada)
	830314018	Power supply cord(Australia)
	830377008	Power supply cord(UK)
	830335004	Power supply cord(Continental Europe & Chile)
16	852807011	Embroidery hoop A (whole unit)
17	850802010	Embroidery hoop B (whole unit)
18	852853001	Instructional CD (U.S.A., Canada, Australia, UK & Continental Europe)
19	852806009	Dust cover