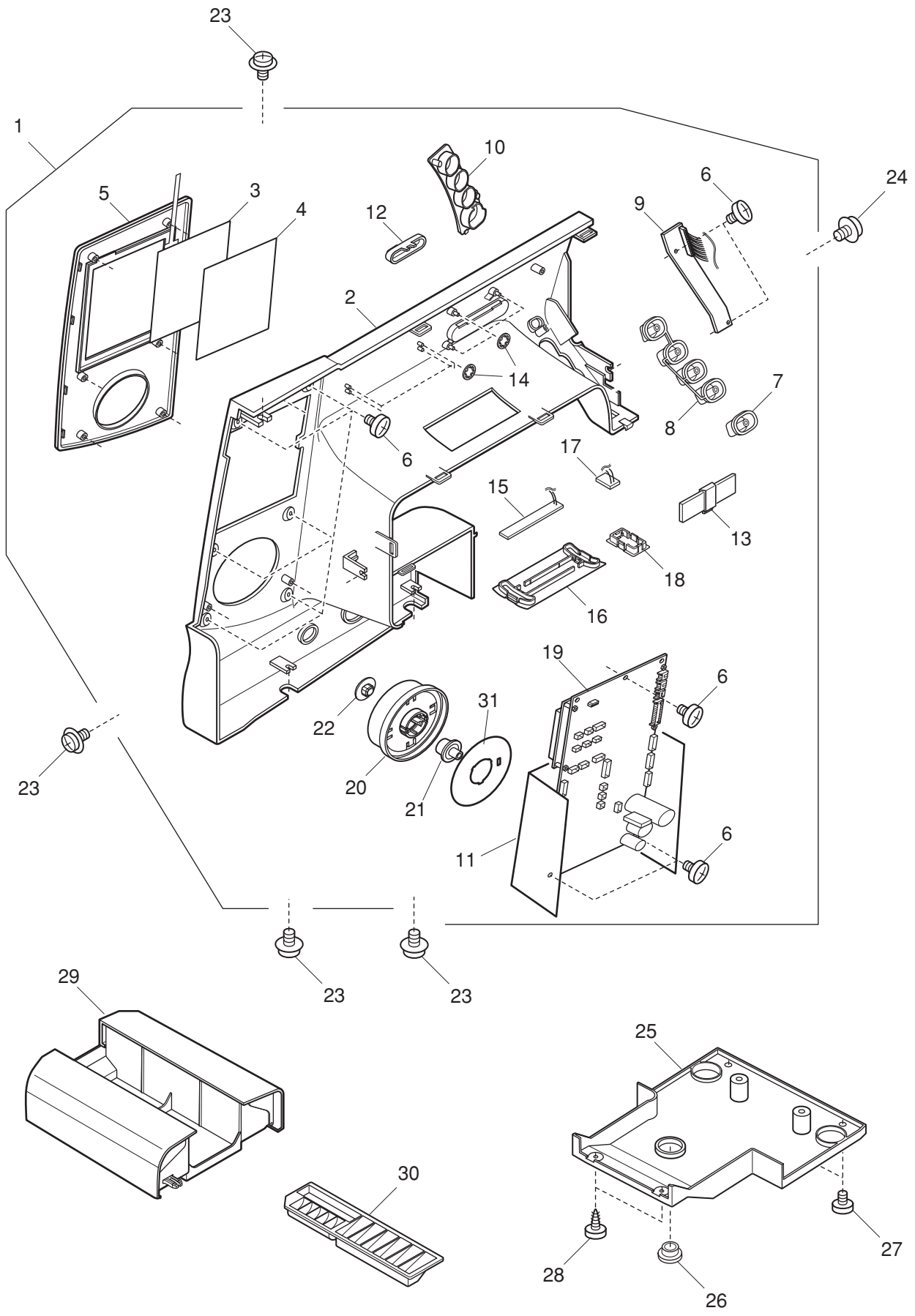


PARTS LIST

MODEL:MC8900QCP

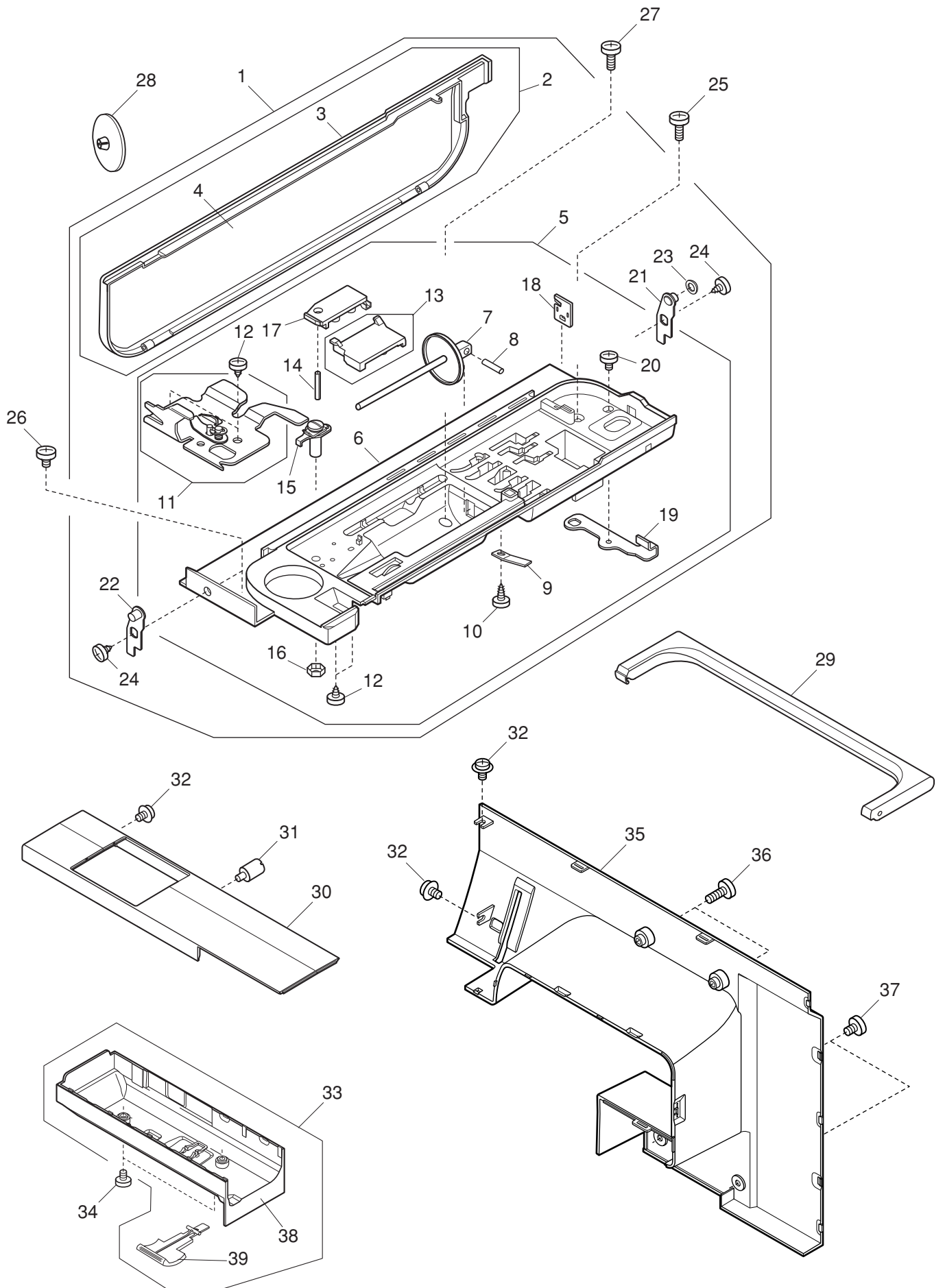
PARTS LIST



PARTS LIST

KEY NO.	PARTS NO.	DESCRIPTION
1	858692008	Front cover (unit)
2	858099504	Front cover
3	852524000	Touch panel (unit)
4	858291003	Touch panel sheet
5	858101304	Touch panel cover
6	000120203	Setscrew 3x8 (B)
7	858102109	Start/stop button
8	858103100	Function button
9	858504002	Printed circuit board F (unit)
10	858104204	Button cover
11	858230015	Flame retardant insulating paper
12	858105009	Slide volume
13	653507266	Slide volume (unit)
14	000014306	Snap ring CS-3
15	858502103	Printed circuit board L1 (unit)
16	858106000	LED cover 2
17	858511002	Printed circuit board L2 (unit)
18	860167006	Lamp cover 2
19	858535002	Printed circuit board A (unit)
20	858517019	Jog dial (unit)
21	858108002	Jog dial button
22	858123003	Cap
23	000115205	Setscrew TP 4x6
24	000114710	Setscrew TP 3x6
25	858137000	Machine base
26	626045407	Cap
27	000081005	Setscrew 4x8
28	000161206	Setscrew 3x10 (B)
29	858501009	Extension table (unit)
30	858278004	Foot tray
31	858223004	Spacer

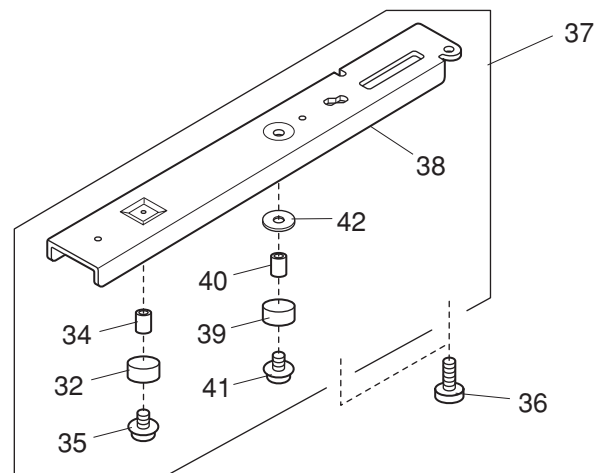
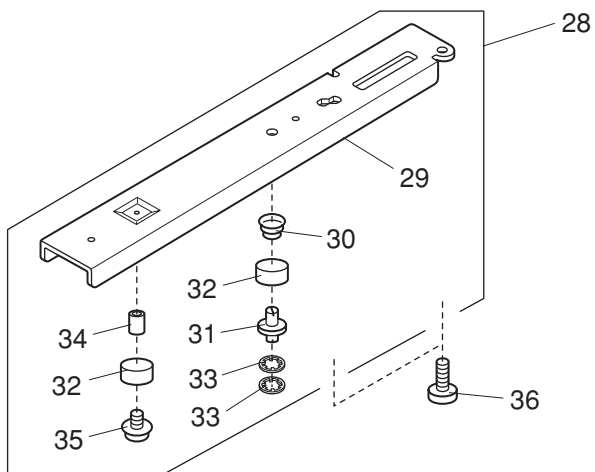
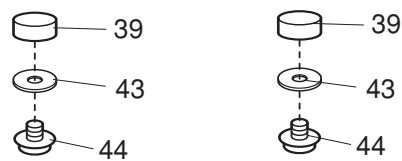
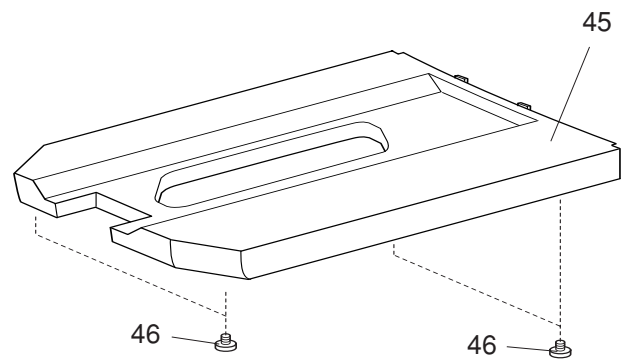
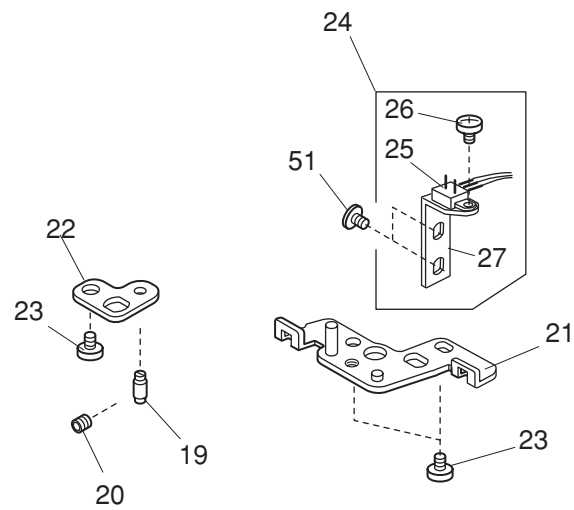
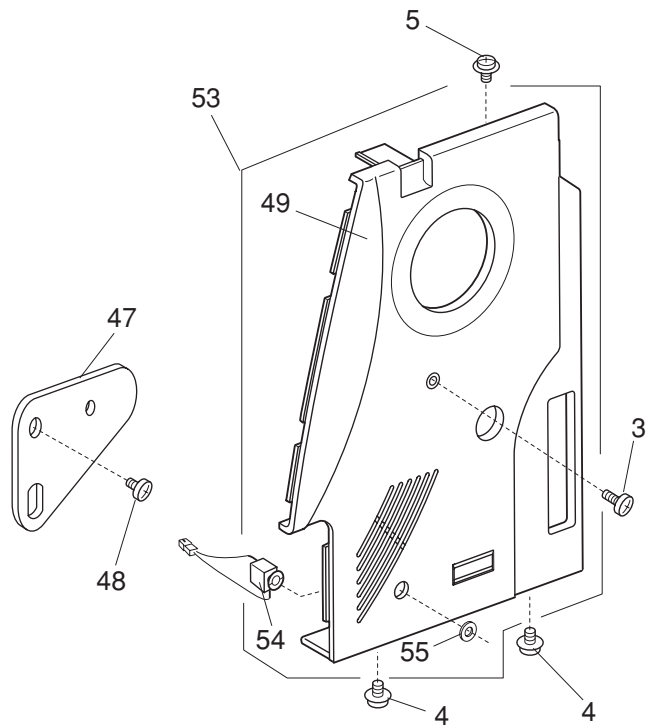
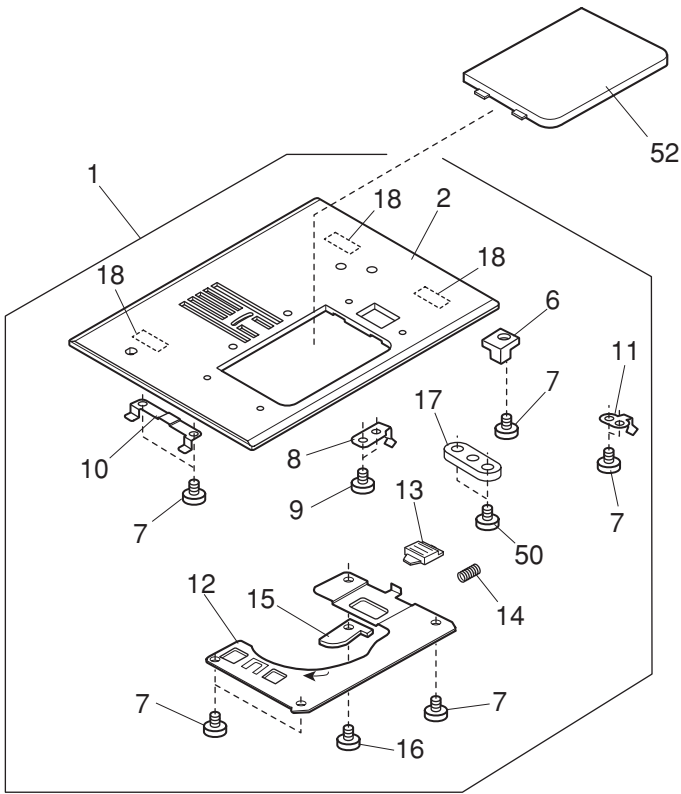
PARTS LIST



PARTS LIST

KEY NO.	PARTS NO.	DESCRIPTION
1	858679009	Top cover (unit)
2	858608605	Top cover (unit)
3	858020009	Top cover
4	858290002	Quick reference chart
5	858678008	Top cover body (unit)
6	858283002	Top cover body
7	859052003	Spool pin
8	822017002	Spool pin shaft
9	822018003	Spool pin spring
10	000107204	Setscrew 3x12 (B)
11	859541004	Thread guide (unit)
12	000107307	Setscrew 3x8 (B)
13	859648002	Thread guide cover (unit)
14	000020202	Spring pin
15	830503005	Bobbin winder thread guide (unit)
16	000160102	Adjustable lock nut 4
17	830011001	Bobbin winder thread guide cover
18	830505007	Thread cutter (unit)
19	830012013	Bobbin winder stopper
20	000103819	Setscrew 3x5
21	858023002	Top cover hinge (right)
22	858023105	Top cover hinge (left)
23	503169002	Washer
24	000120203	Setscrew 3x8 (B)
25	000080901	Setscrew 4x25
26	000066705	Setscrew 3x8
27	000170507	Setscrew 4x12
28	822020503	Spool holder
29	858024003	Carrying handle
30	858004214	Free arm cover
31	858165007	Pin
32	000115205	Setscrew TP 4x6
33	859614009	Bed cover (unit)
34	000081005	Setscrew 4x8
35	858006102	Rear cover
36	000101806	Setscrew 4x16
37	000101415	Setscrew 4x6
38	859039004	Bed cover
39	859040008	Lever

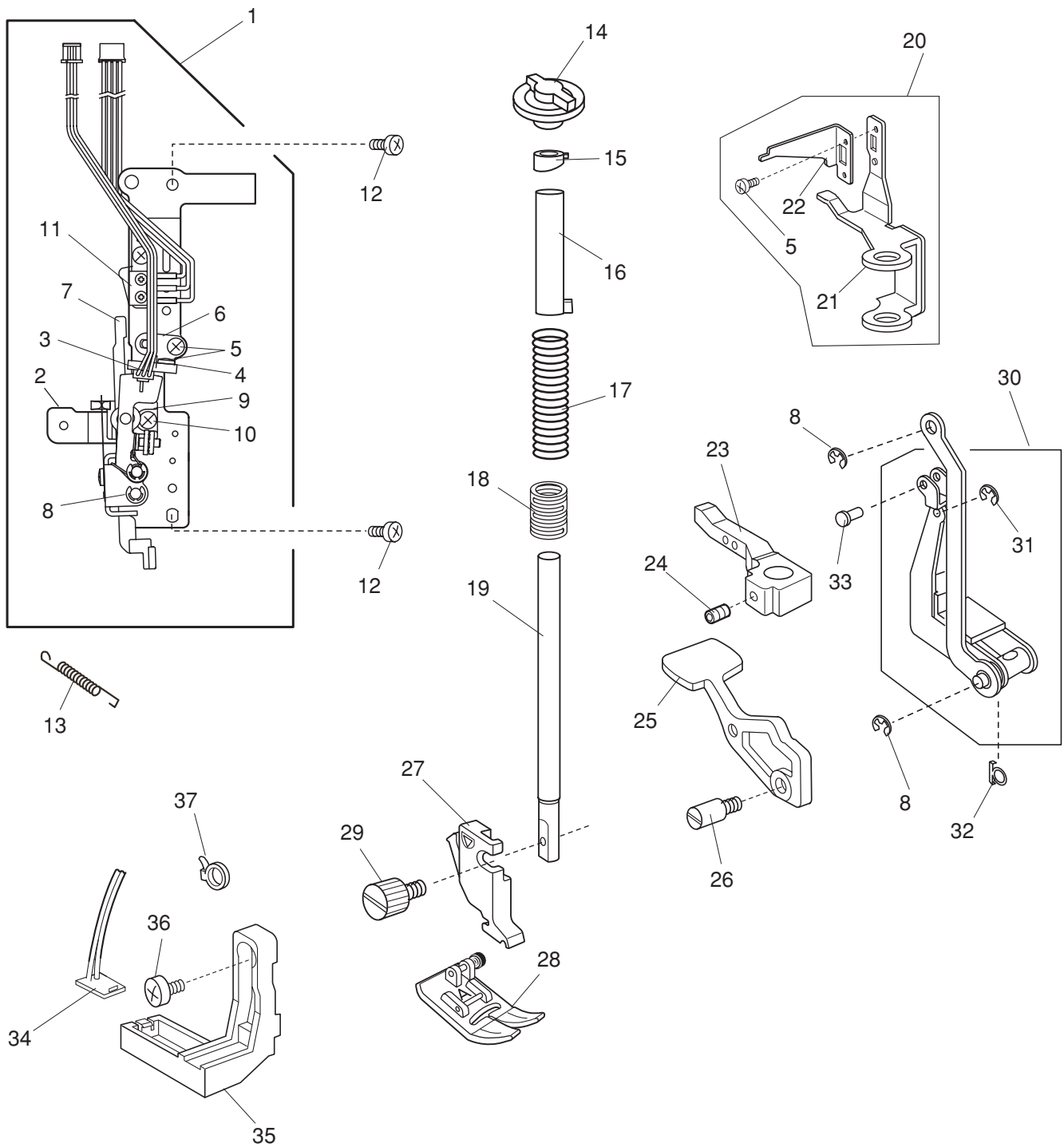
PARTS LIST



PARTS LIST

KEY NO.	PARTS NO.	DESCRIPTION
1	859616012	Needle plate (unit)
2	859045014	Needle plate
3	000103222	Setscrew 4x30
4	000115205	Setscrew TP 4x6
5	000114710	Setscrew TP 3x6
6	859046004	Needle plate sensor block
7	820374004	Setscrew 2x2.3
8	859047016	Spring
9	000169709	Setscrew 2x2.3
10	859048006	Needle plate set plate
11	859245005	Spring 2
12	846030016	Hook cover plate supporter
13	825016000	Hook cover plate release button
14	825017001	Spring
15	809044007	Rotation stopper
16	000097613	Setscrew 2x4
17	859271000	Guide plate
18	859272001	Rubber sheet
19	859270009	Needle plate positioning pin
20	000111201	Hexagonal socket screw 4x4
21	859247018	Needle plate adjusting plate
22	860003025	Needle plate nut set plate
23	810220106	Setscrew
24	859671107	Needle plate sensor (unit)
25	859524104	Switch (unit)
26	755096004	Setscrew
27	859246006	Switch set plate
28	858601000	Arm sole (front cover side) (unit)
29	858002005	Arm sole
30	858162004	Spring
31	820350004	Adjusting screw
32	605074008	Rubber foot
33	000014409	Snap ring CS-8
34	000141107	Bushing
35	000119106	Setscrew TP 4x10
36	000100702	Setscrew 6x10
37	858601103	Arm sole (rear cover side) (unit)
38	858002108	Arm sole
39	797363005	Rubber foot
40	000139504	Bushing
41	000115700	Setscrew TP 4x10
42	858149005	Spacer
43	000070300	Washer 5
44	784169009	Rubber foot setscrew
45	858003305	Base cover
46	000161206	Setscrew 3x10 (B)
47	858114001	Belt cover retaining plate
48	000081005	Setscrew 4x8
49	858115208	Belt cover
50	000102807	Setscrew 2x4
51	000193001	Setscrew TP 4x6
52	846271103	Hook cover plate
53	858676003	Belt cover (unit)
54	767541006	Jack cord (unit)
55	000071024	Washer 4

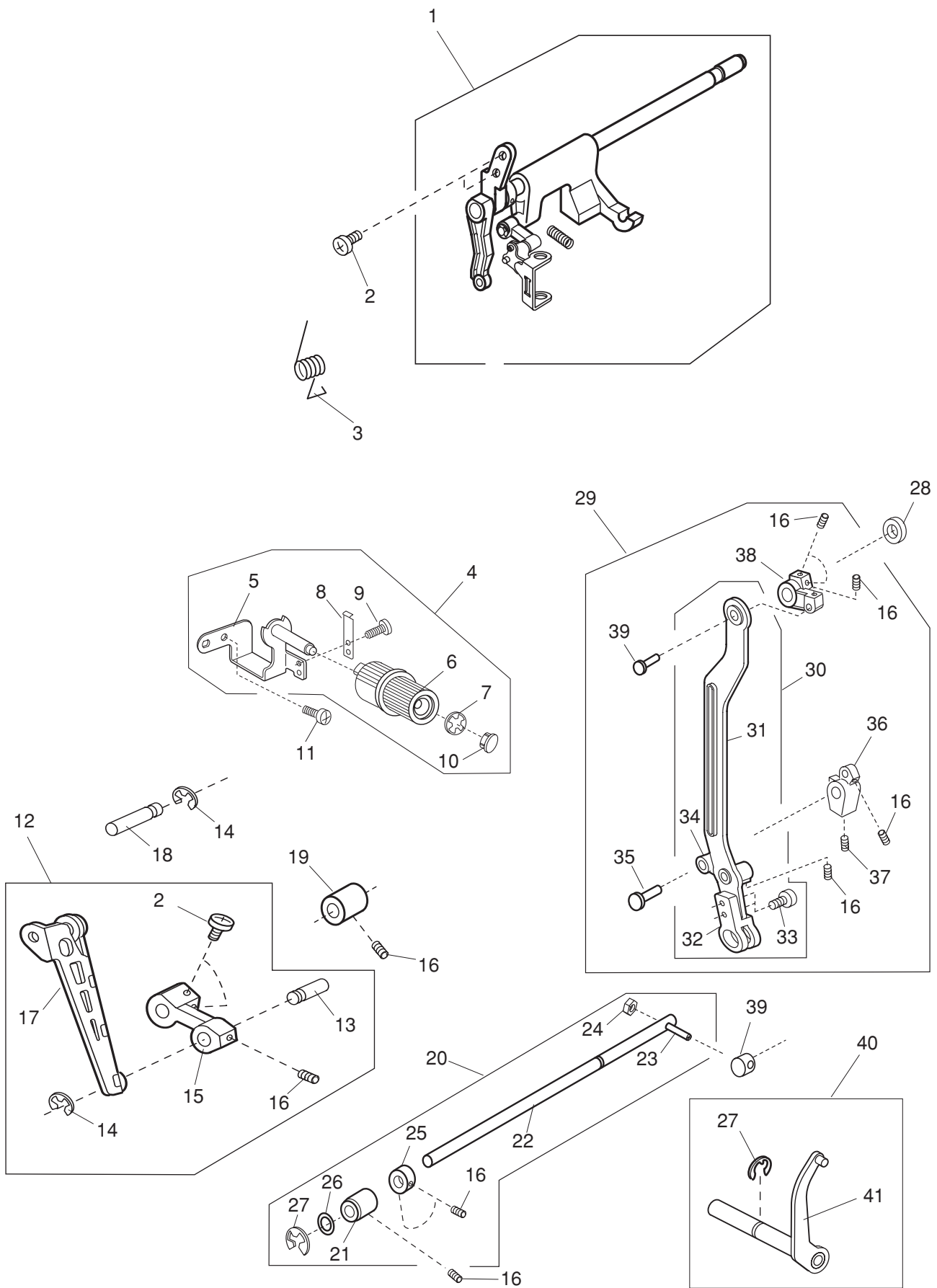
PARTS LIST



PARTS LIST

KEY NO.	PARTS NO.	DESCRIPTION
1	858612107	Front bracket (unit)
2	858031014	Front bracket
3	852502909	Printed circuit board G1 (unit)
4	853028002	Insulation sheet
5	000101105	Setscrew 3x4
6	846044002	Sensor base plate
7	843625107	Buttonhole lever (unit)
8	000002105	Snap ring E-3
9	830057021	Buttonhole lever guide
10	000103808	Setscrew 3x5
11	858613005	Micro switch (unit)
12	000081005	Setscrew 4x8
13	844038018	Needle bar supporter spring
14	858136102	Presser foot pressure adjusting dial
15	858155004	Presser foot pressure adjusting cam
16	858028007	Presser bar bushing
17	858281000	Presser bar spring
18	859210001	Spring supporter
19	859082002	Presser bar
20	858675005	Presser bar lifter (unit)
21	858280009	Presser bar lifter
22	846344005	Presser foot lifter switch plate
23	859079017	Presser bar supporter
24	000111201	Hexagonal socket screw 4x4
25	858284003	Presser foot lifter
26	846333001	Setscrew 1
27	859801016	Presser foot holder (unit)
28	859802006	Zigzag foot (unit)
29	858274000	Thumbscrew
30	859627016	Upper feed foot (unit)
31	000002116	Snap ring E-3
32	858313002	Washer
33	846327002	Pin (1)
34	859525301	Printed circuit board L2 (unit)
35	859232010	LED cover
36	000078319	Setscrew 3x6
37	000053008	Cord binder

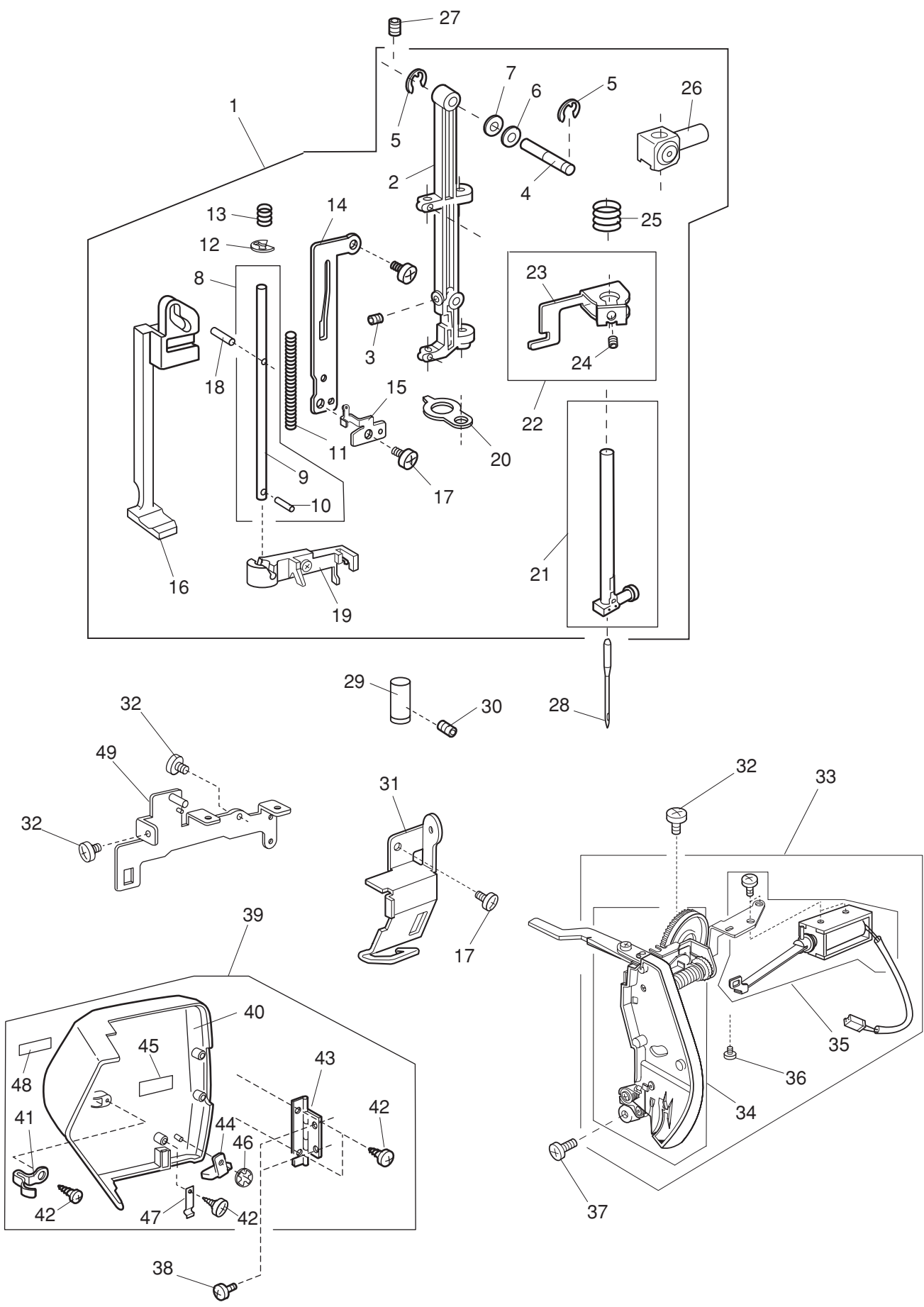
PARTS LIST



PARTS LIST

KEY NO.	PARTS NO.	DESCRIPTION
1	859640004	Upper feed upper shaft (unit)
2	000103509	Setscrew 4x10
3	858156005	Upper feed upper shaft spring
4	858625000	Upper feed adjusting base plate (unit)
5	858072006	Upper feed adjusting base plate
6	846351005	Upper feed adjusting dial
7	000014007	Snap ring CS-4
8	846353007	Dial spring
9	000101105	Setscrew 3x4
10	653006101	Cap
11	000081005	Setscrew 4x8
12	858623008	Feed connecting link (unit)
13	502258006	Connecting pin
14	000002507	Snap ring E-4
15	846304106	Upper feed lower shaft front arm
16	000111201	Hexagonal socket screw 4x4
17	858068009	Feed connecting link
18	502258109	Connecting pin
19	784071003	Looper shaft bushing
20	858624009	Upper feed lower shaft (unit)
21	846303002	Upper feed lower shaft bushing
22	858069000	Upper feed lower shaft
23	846306005	Upper feed lower shaft rear arm
24	000061102	Nut 4-1-7
25	820166001	Lower shaft ring
26	000038502	Washer
27	000002806	Snap ring E-6
28	822070003	Felt
29	846580005	Upper feed adjusting arm (unit)
30	846577009	Upper feed connecting link (unit)
31	846309008	Upper feed connecting link
32	846307006	Connecting link
33	000066705	Setscrew 3x8
34	846349000	Upper feed adjusting link
35	820144003	Pin
36	846350004	Upper feed adjusting arm (1)
37	000111304	Hexagonal socket screw 5x5
38	846308007	Upper feed upper shaft rear arm
39	846348009	Rear arm feed lifting roller
40	858644005	Upper feed adjusting arm 2 (unit)
41	858070004	Upper feed adjusting arm 2

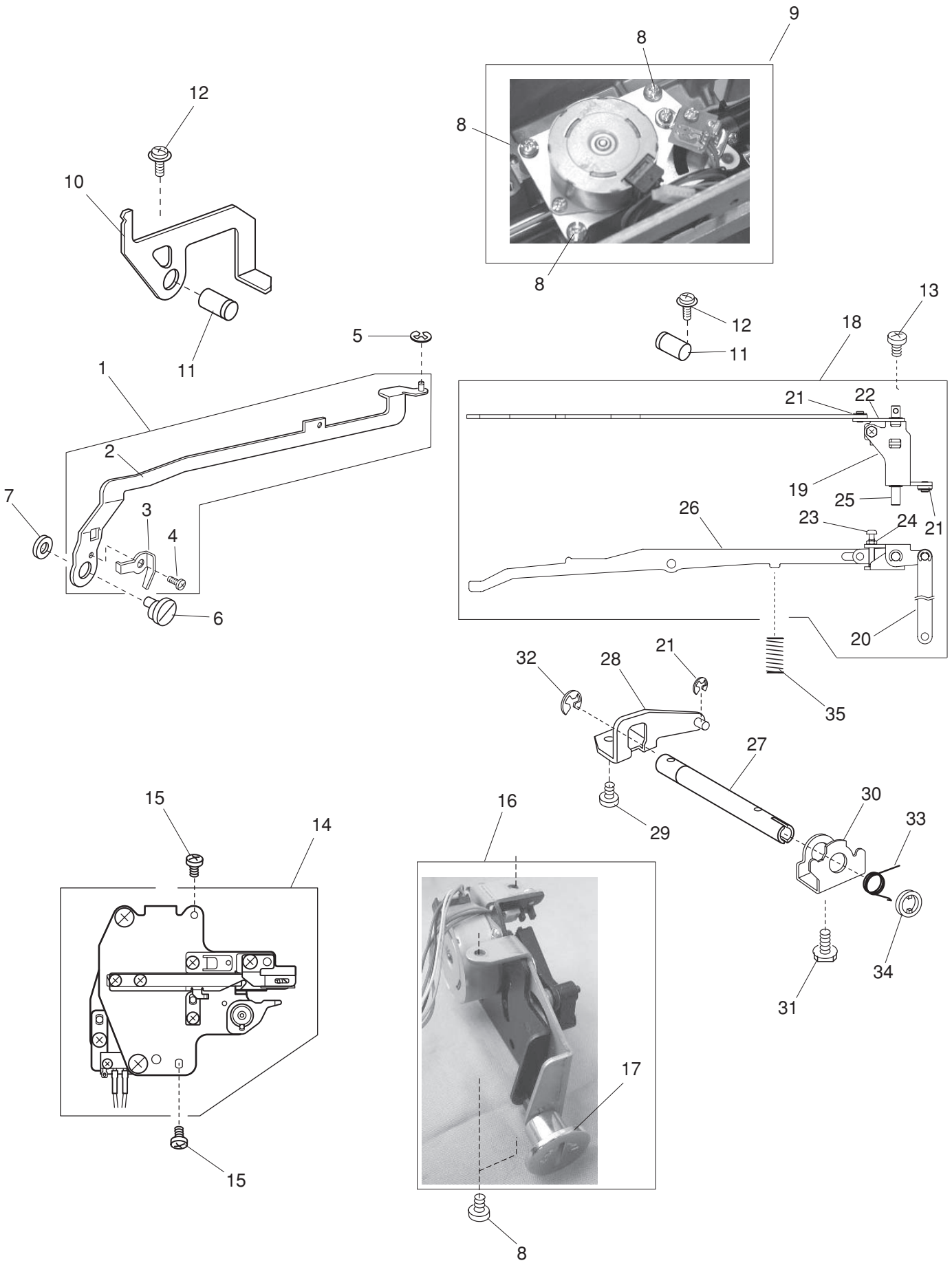
PARTS LIST



PARTS LIST

KEY NO.	PARTS NO.	DESCRIPTION
1	859665005	Needle bar supporter (unit)
2	846047005	Needle bar supporter
3	000111902	Hexagonal socket screw 3x4
4	735144006	Needle bar supporter pin
5	000002507	Snap ring E-4
6	000070609	Washer
7	673022002	Washer
8	846612100	Threader shaft (unit)
9	846048028	Threader shaft
10	000003508	Knock pin
11	842090001	Needle threader spring
12	000002105	Snap ring E-3
13	842096007	Threader lever spring
14	842091002	Threader guide plate
15	844036038	Threader lever plate
16	859111001	Threader lever
17	000078319	Setscrew 3x6
18	000125105	Pin
19	846588014	Threader guard plate (unit)
20	829027006	Supporter guide plate
21	859647001	Needle bar (unit)
22	807607008	Threader position setting plate (unit)
23	807018006	Threader position setting plate
24	000111902	Hexagonal socket screw 3x4
25	858172007	Needle bar supporter spring
26	846515009	Needle bar supporter (unit)
27	000111201	Hexagonal socket screw 4x4
28	647814031	Needle HA1-14
29	827083004	Supporter guide pin
30	000216805	Hexagonal socket screw 3x3
31	858282001	Arm thread guide
32	000081005	Setscrew 4x8
33	858615306	Thread tension (unit)
34	858503300	Thread tension (unit)
35	834604205	Solenoid (unit)
36	000101105	Setscrew 3x4
37	000101703	Setscrew 4x12
38	000081119	Setscrew 4x6
39	858684007	Face plate (unit) (U.S.A.)
	858684203	Face plate (unit) (Australia) (UK) (Continental Europe)
	858684100	Face plate (unit) (Canada)
40	858287109	Face plate
41	850013005	Face plate spring
42	000161206	Setscrew 3x10
43	851503103	Face plate hinge (unit)
44	840602109	Thread cutter (unit)
45	830312016	Caution sticker (U.S.A.)
	100045000	Caution sticker (Canada)
46	000014306	Snap ring CS-3
47	859233000	Spring
48	100517008	Caution sticker (Canada)
49	858121001	Carrying handle supporter

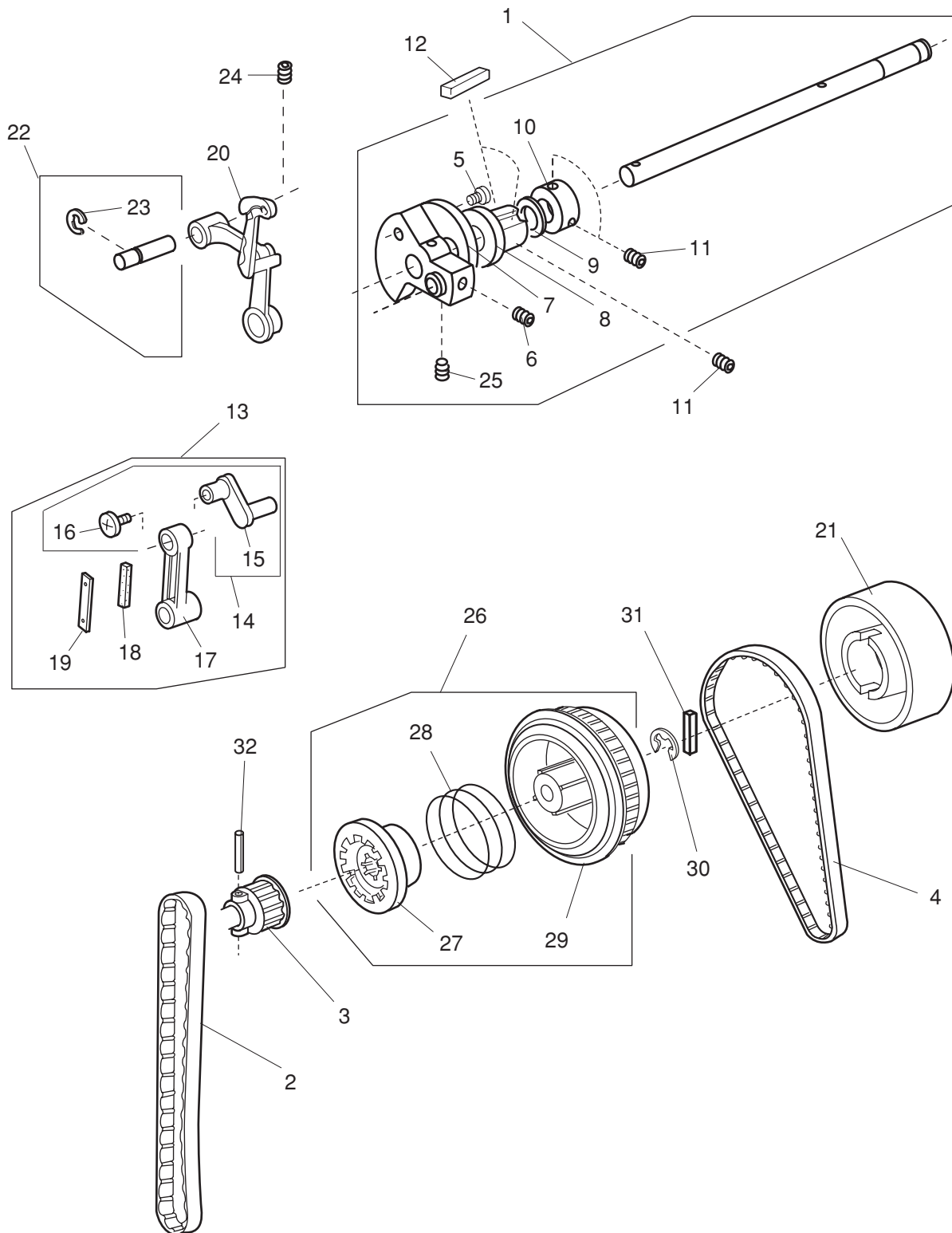
PARTS LIST



PARTS LIST

KEY NO.	PARTS NO.	DESCRIPTION
1	859610005	Zigzag width rod (unit)
2	859031017	Zigzag width rod
3	827088009	Zigzag width rod spring
4	820373003	Setscrew 2x3
5	000002105	Snap ring E-3
6	678084007	Eccentric pin
7	653037008	Washer
8	000081005	Setscrew 4x8
9	859608000	Zigzag width motor (unit)
10	858282001	Thread tension release link
11	652042003	Pin
12	000115607	Setscrew TP 4x8
13	000103303	Setscrew 3.5x12
14	858683006	Automatic thread cutter (unit)
15	000101404	Setscrew 4x6
16	858627002	Feed motor (unit)
17	858075009	Feed balancing dial
18	858633001	Knee lifter link (unit)
19	858092002	Knee lifter link (1)
20	858093003	Knee lifter rod
21	000002507	Snap ring E-4
22	858094004	Knee lifter link (2)
23	000175111	Setscrew 4x25
24	000061205	Nut 4
25	858095005	Knee lifter link shaft
26	858096006	Knee lifter lever
27	858088005	Knee lifter shaft
28	858089006	Knee lifter shaft arm
29	000102003	Setscrew 5x10
30	858090000	Knee lifter stopper
31	000138503	Hexagonal socket screw 5x12
32	000002208	Snap ring E-9
33	858091001	Knee lifter stopper spring
34	846297002	Stopper
35	858097007	Knee lifter lever spring

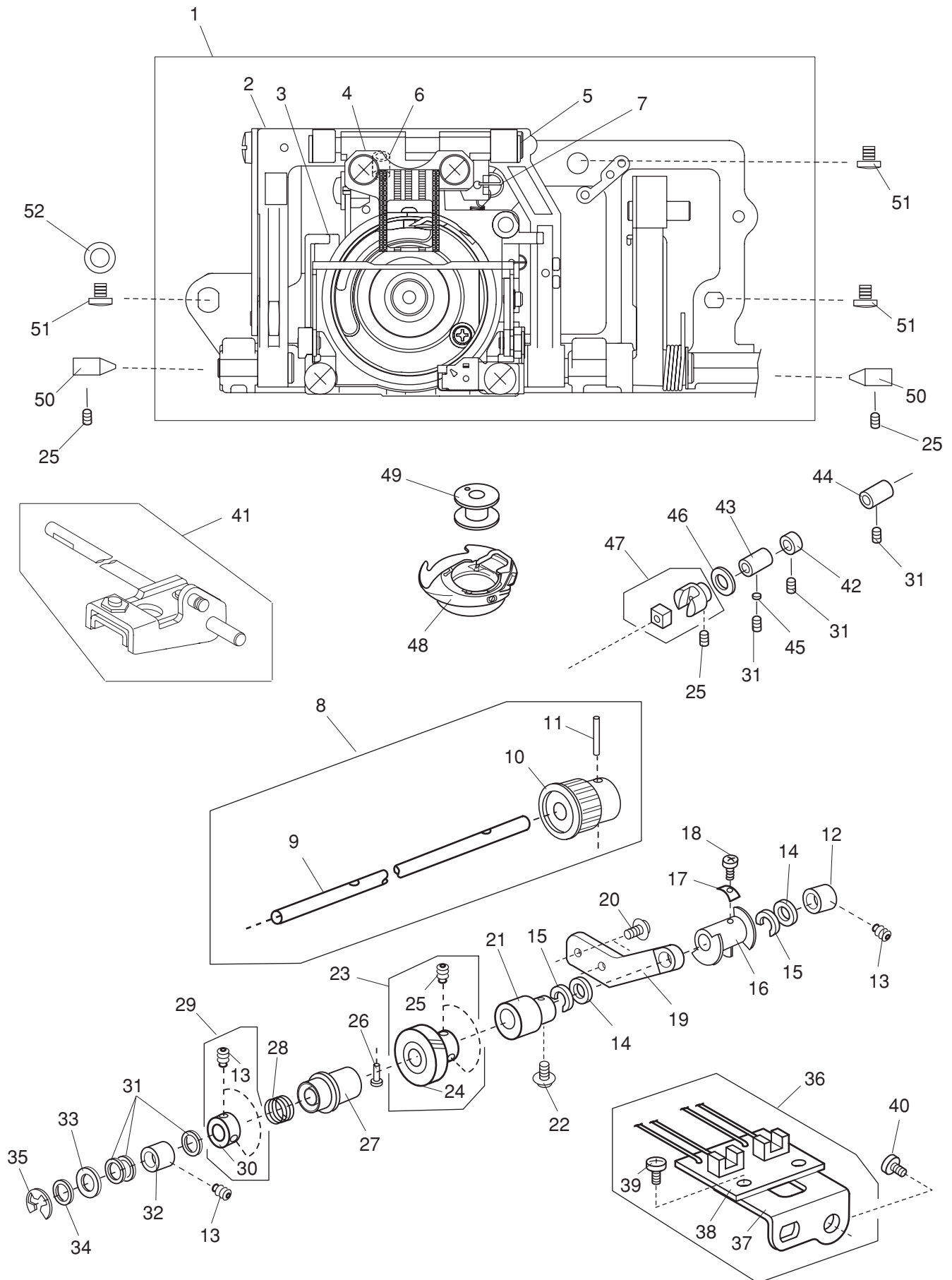
PARTS LIST



PARTS LIST

KEY NO.	PARTS NO.	DESCRIPTION
1	858617102	Upper shaft (unit)
2	846098001	Timing belt
3	858052000	Upper shaft gear
4	858118005	Timing belt
5	000078319	Setscrew 3x6
6	000110901	Hexagonal socket screw 5x4
7	859214005	Upper feed lifting cam
8	670079201	Upper shaft front bushing
9	000040105	Washer
10	767077006	Ring
11	000111304	Hexagonal socket screw 5x5
12	731312005	Felt
13	846615103	Needle bar crank (unit)
14	843543007	Needle bar crank pin (unit)
15	652143005	Needle bar crank pin
16	647139002	Needle bar crank pin knob
17	650039001	Needle bar crank rod
18	650040005	Felt
19	650041006	Spring
20	820511108	Thread take-up lever (unit)
21	858055003	Handwheel
22	650626001	Thread take-up lever pin (unit)
23	000002806	Snap ring E-6
24	000111201	Hexagonal socket screw 4x4
25	000111706	Hexagonal socket screw 5x8
26	858647008	Belt wheel (unit)
27	858053001	Clutch ring
28	502065004	Clutch spring
29	858054002	Belt wheel
30	000030009	Snap ring E-10
31	000024206	Pin 3x30
32	000004303	Pin 3x20

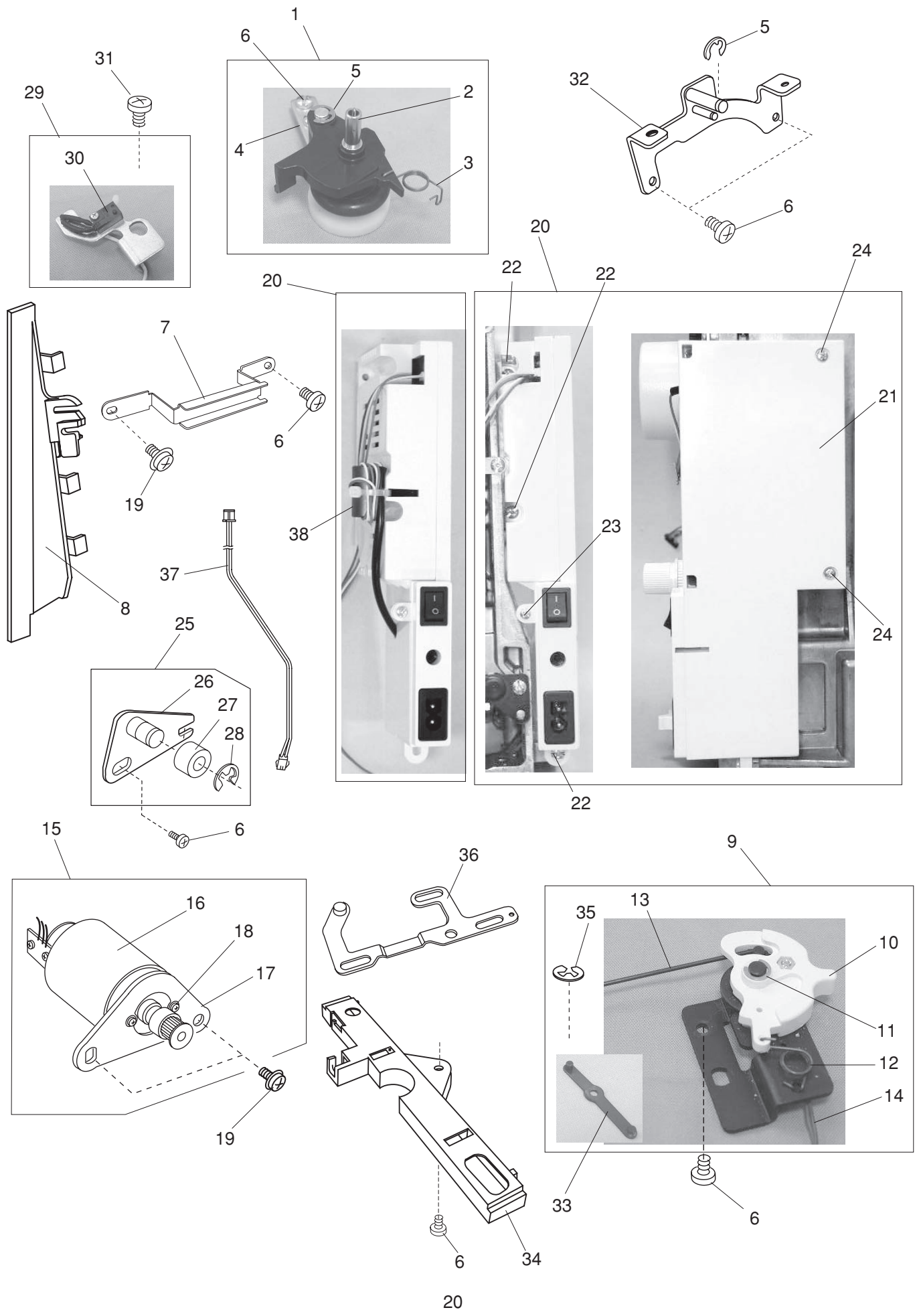
PARTS LIST



PARTS LIST

KEY NO.	PARTS NO.	DESCRIPTION
1	858681004	Feed lock shaft (unit)
2	858621006	Feed lock shaft (unit)
3	858682005	Hook race (unit)
4	859639000	Feed dog set base (unit)
5	825099007	Feed dog base shaft
6	000111407	Hexagonal socket screw 4x6
7	825103005	Feed base spring
8	858618000	Lower shaft (unit)
9	858056004	Lower shaft
10	650073007	Lower gear
11	000004200	Pin
12	650079003	Lower shaft bushing (rear)
13	000111201	Hexagonal socket screw 4x4
14	822070003	Felt
15	822112008	Felt holder
16	846101008	Lower shaft shielding plate
17	846192006	Washer
18	000080406	Setscrew 3x10
19	858058006	Lower shaft supporter
20	000115700	Setscrew TP 4x10
21	846379009	Feed cam
22	000149600	Setscrew 3x14
23	850687006	Lower shaft gear (unit)
24	650955002	Lower shaft gear
25	000111304	Hexagonal socket screw 5x5
26	820161006	Feed lifting pin
27	846103000	Feed lifting cam
28	825093001	Feed lifting cam spring
29	820672005	Lower shaft ring (unit)
30	820166001	Lower shaft ring
31	000038502	Washer
32	858060001	Lower shaft bushing (front)
33	735143005	Felt
34	858177002	Lower shaft washer
35	000002806	Snap ring E-6
36	858619001	Lower shaft sensor (unit)
37	858061002	Sensor set plate
38	843505904	Printed circuit board P (unit)
39	000101105	Setscrew 3x4
40	000101404	Setscrew 4x6
41	858626001	Feed shaft (unit)
42	820387000	Ring
43	625144002	Feed shaft bushing (front)
44	650092002	Feed shaft bushing (rear)
45	650175000	Cushion
46	823110009	Felt
47	625508008	Feed regulator (unit)
48	846652009	Bobbin holder (unit)
49	102261103	Bobbin
50	738055008	Straight pin
51	000081005	Setscrew 4x8
52	000070506	Washer

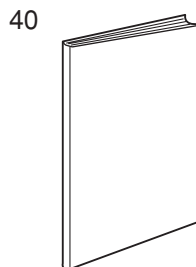
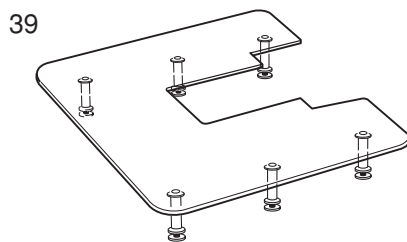
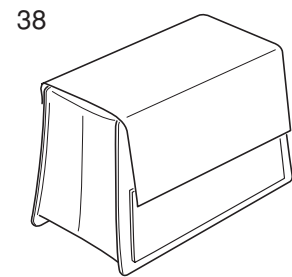
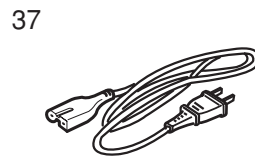
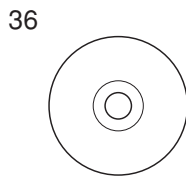
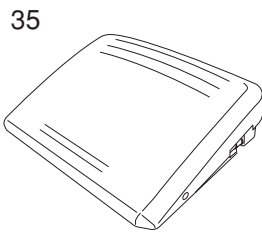
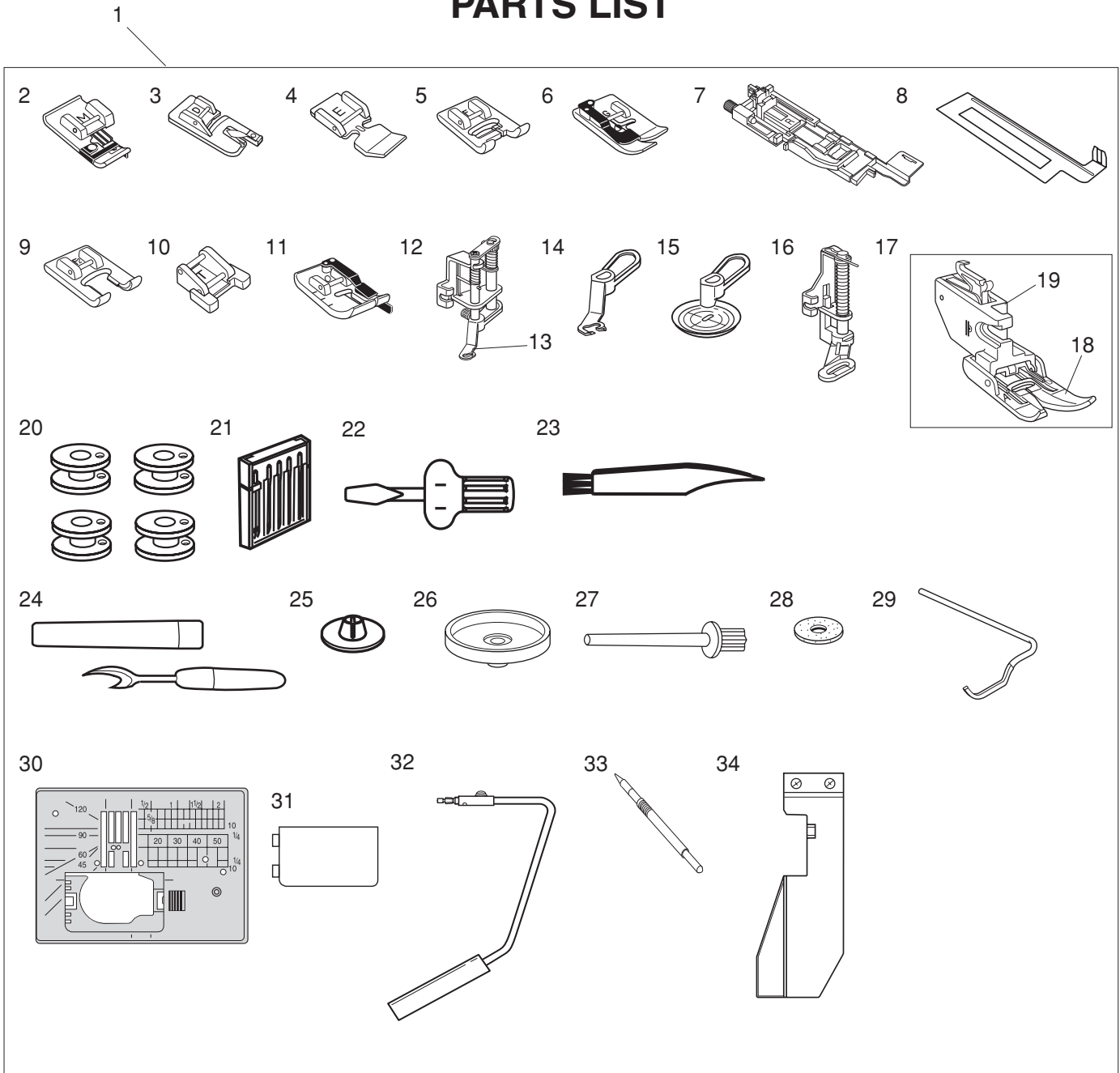
PARTS LIST



PARTS LIST

KEY NO.	PARTS NO.	DESCRIPTION
1	858637016	Bobbin winder (unit)
2	858509018	Bobbin winder (unit)
3	858174009	Bobbin winder arm spring
4	858111008	Bobbin winder set plate
5	000001609	Snap ring E-5
6	000081005	Setscrew 4x8
7	858113000	Cord guide
8	858145012	Cord guide plate
9	858645109	Feed dog drop lever (unit)
10	858143009	Feed dog drop lever
11	000002507	Snap ring E-4
12	823119008	Spring
13	858279005	Rod
14	846513904	Micro switch (unit)
15	858639007	DC motor (unit)
16	843518302	DC motor (unit)
17	858117004	DC motor set plate
18	000115009	Set screw TP 3x8
19	000115607	Set screw TP 4X8
20	859676009	Switching power supply (unit) (U.S.A.) (Canada)
	859676205	Switching power supply (unit) (UK) (Continental Europe)
	859676102	Switching power supply (unit) (Australia)
21	858120000	Switching power supply plate
22	000103509	Setscrew 4x10
23	000161206	Setscrew 3x10
24	000119704	Setscrew 3x14
25	860608004	Idler (unit)
26	860021007	Idler base
27	625217100	Idler
28	000002806	Snap ring E-6
29	858646007	Bobbin winder switch (unit)
30	852510405	Micro switch (unit)
31	000101404	Setscrew 4x6
32	858112009	Rear set plate
33	858139002	Drop connecting block
34	858159008	Cord guide 2
35	000002105	Snap ring E-3
36	858138001	Drop plate
37	858536003	Cord
38	808108007	Ferrite core (Australia) (UK) (Continental Europe)

PARTS LIST



PARTS LIST

KEY NO.	PARTS NO.	DESCRIPTION
1	858870079	Accessories (unit)
2	859810007	Overedge foot M
3	859804008	Rolled hem foot D
4	859805009	Zipper foot E
5	859806011	Satin stitch foot F
6	859807001	Blind hemming foot G
7	859809025	Automatic buttonhole foot R
8	859832005	Stabilizer plate
9	859813000	Open toe satin stitch foot F2
10	859811008	Button sewing foot T
11	859814001	1/4" Seam foot O
12	858820007	Convertible free motion quilting foot QB-S
13	858820100	Close-toe foot
14	858821008	Open-toe foot
15	858822009	Clear view foot
16	859839002	Darning foot PD-H
17	859819017	Dual feed foot AD (unit)
18	859819109	Dual feed foot AD
19	859817015	Dual feed foot holder
20	102261103	Bobbins
21	859856005	Set of needles
22	820832005	Screwdriver
23	802424004	Lint brush
24	647808009	Seam ripper (Buttonhole opener)
25	822019509	Spool holder (small)
26	829803004	Spool stand
27	625031500	Additional spool pin
28	102403109	Felt cushion
29	755802001	Quilting guide bar
30	859831015	Needle plate for straight stitch
31	846271103	Hook cover plate
32	846417011	Knee lifter
33	860194002	Touch panel stylus
34	858401008	Cloth guide
35	043170108	Foot control
36	858825002	Instructional DVD
37	856519004	Power cable (U.S.A.) (Canada)
	830314018	Power cable (Australia)
	830377008	Power cable (UK)
	830335004	Power cable (Continental Europe)
38	858802003	Semi-hard fabric cover
39	489710007	Extra wide table
40	858800481	Instruction book (English)
	858800492	Instruction book (French)
	858800528	Instruction book (Dutch)
	858800506	Instruction book (German)
	858800562	Instruction book (Italian)
	858800573	Instruction book (Russian)
	858800540	Instruction book (Swedish)
	858800539	Instruction book (Norwegian)
	858800551	Instruction book (Danish)
	858800595	Instruction book (Portuguese)
	858800517	Instruction book (Spanish)