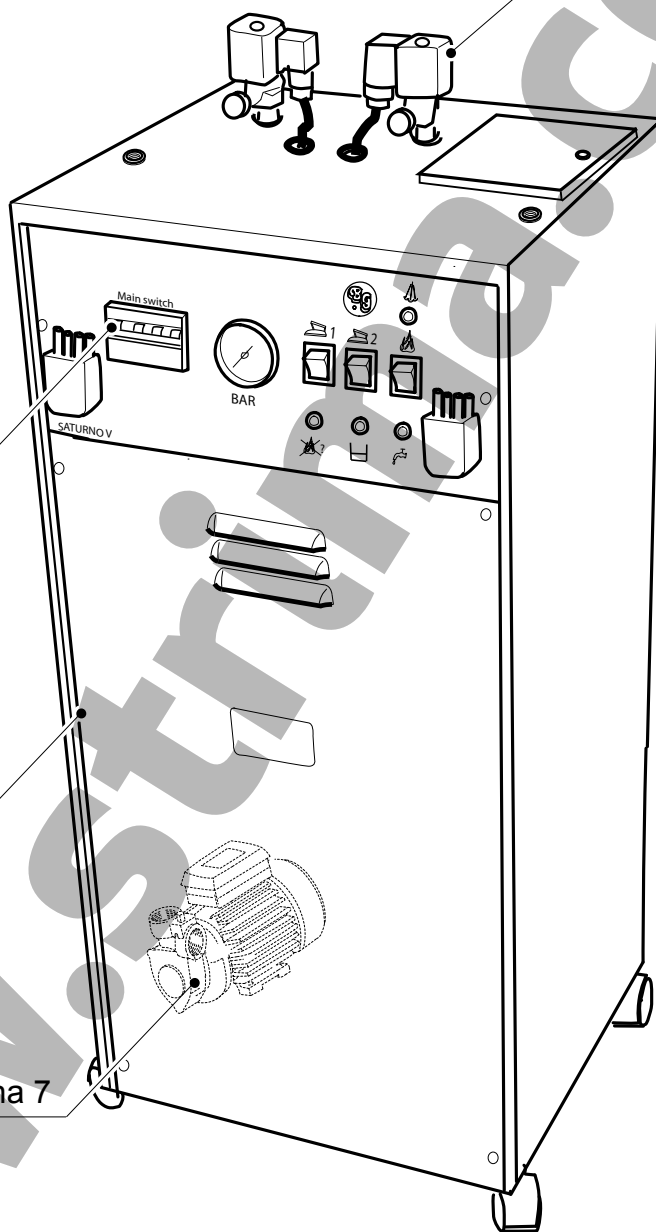


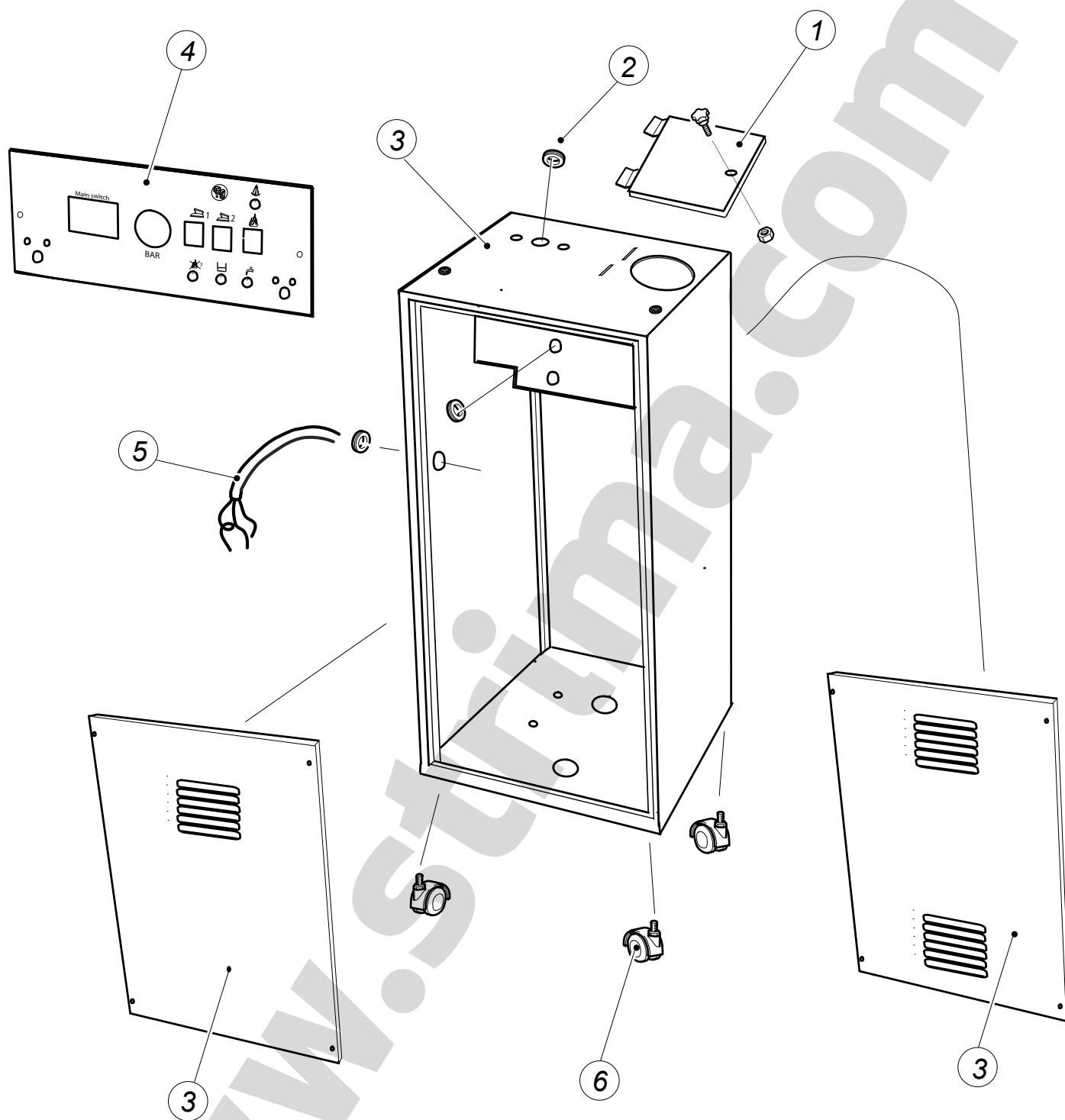
page 4 || strona 4

page 3 || strona 3

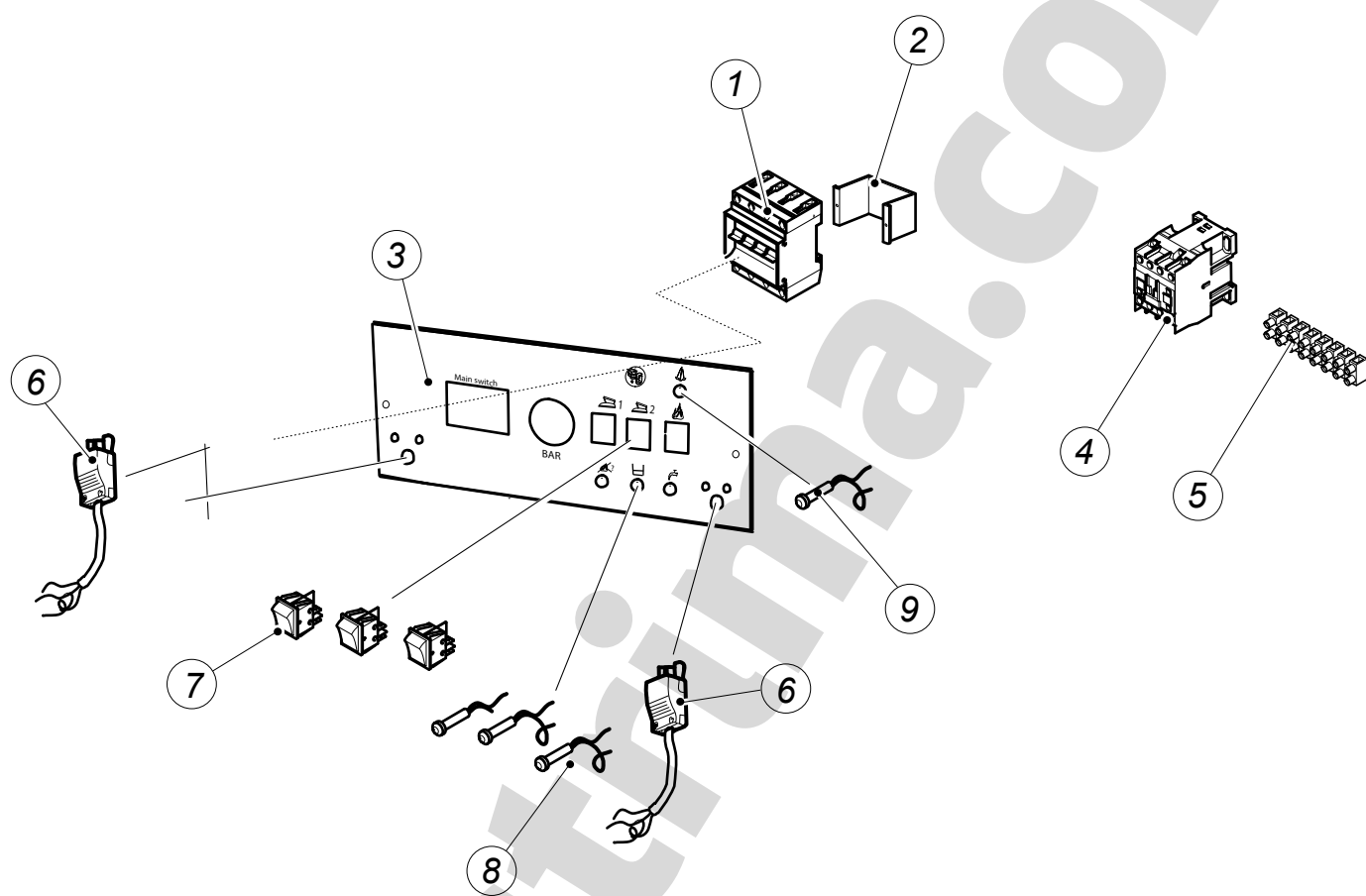
page 2 || strona 2

page 7 || strona 7

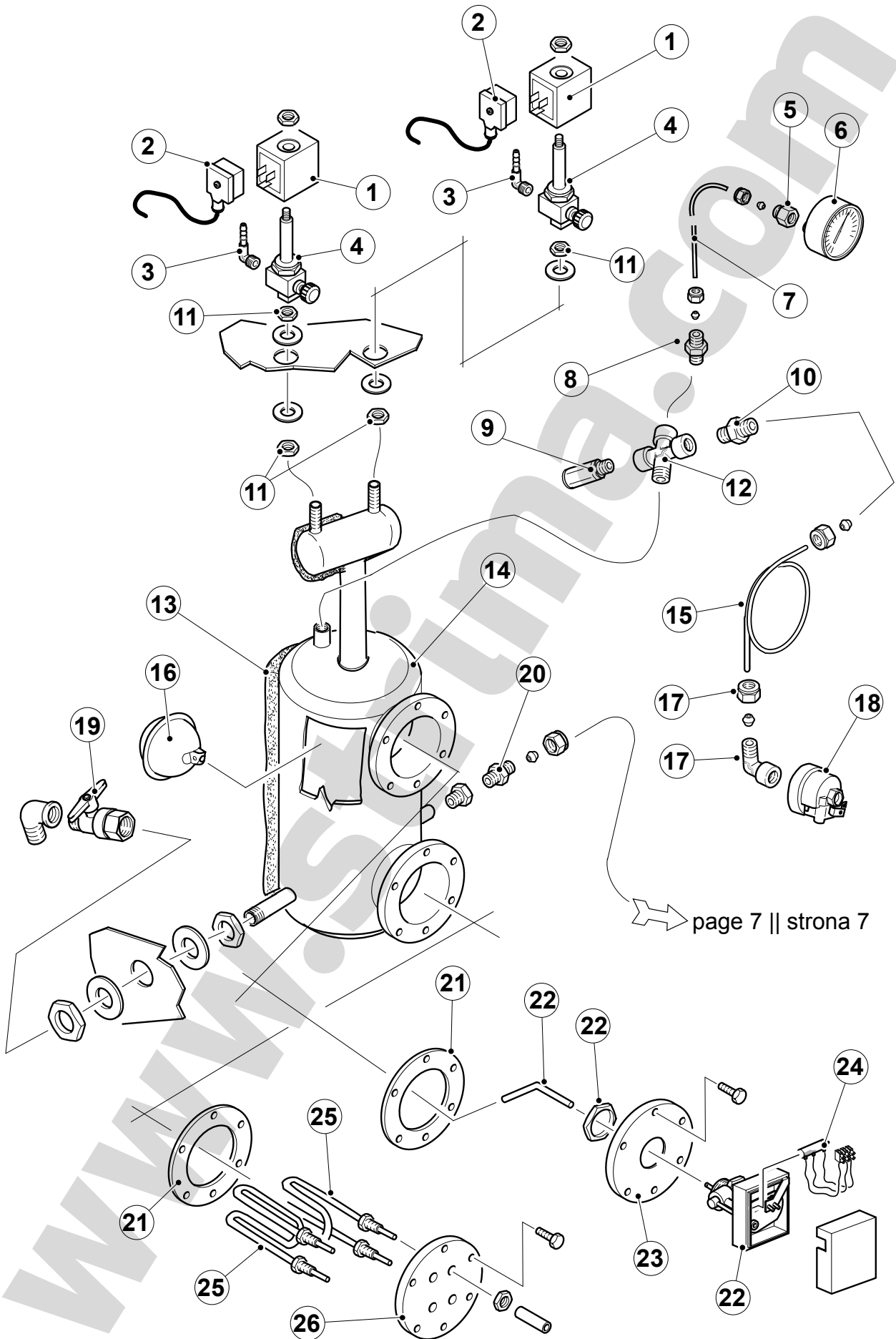


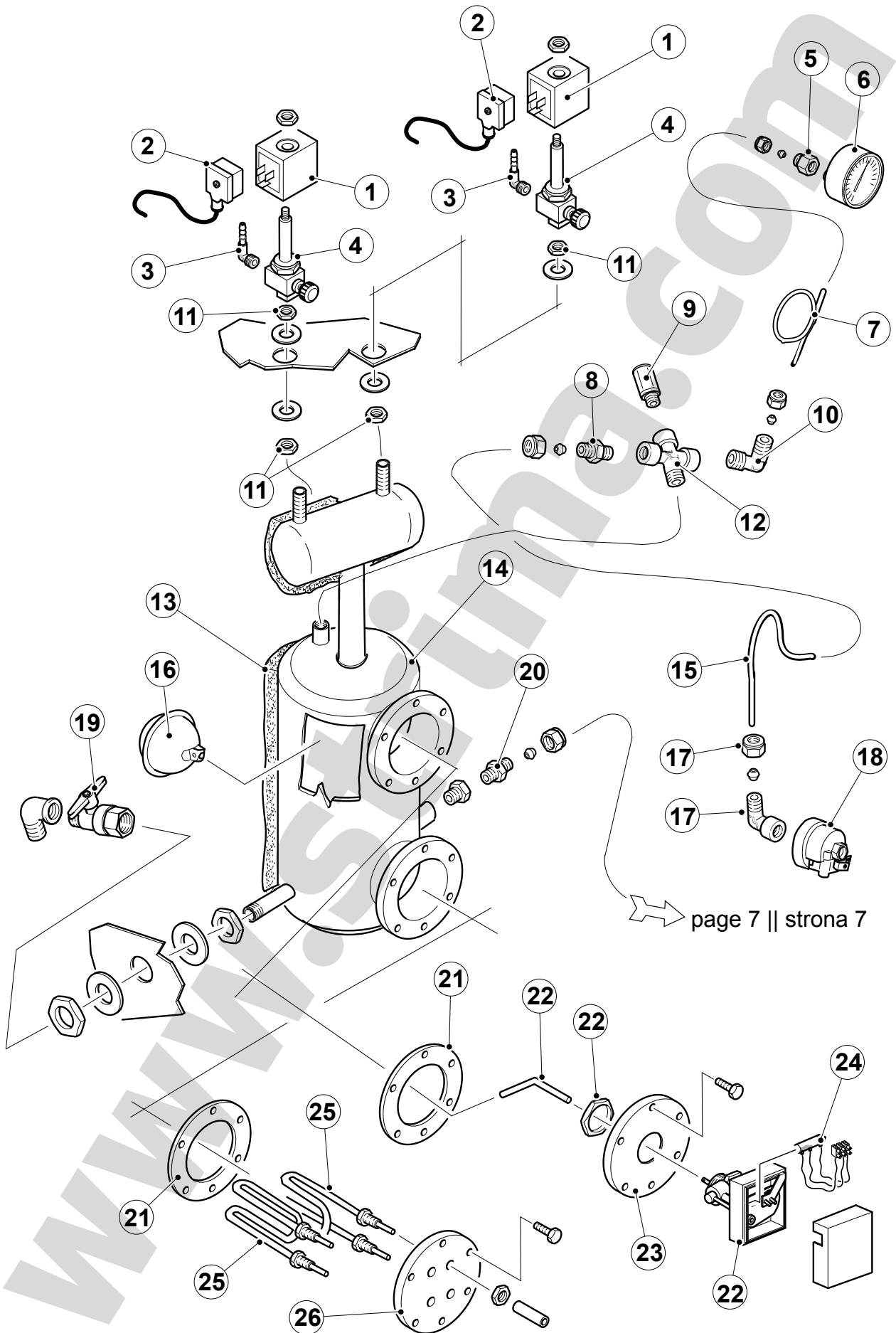


POS.	Q.TY	CODE	DESCRIPTION
1	1		Metal cover
2	3		Rubber rings for wire
3	1		Frame
4	1		Switchboard
5	1		Electric cable
6	4		Wheels



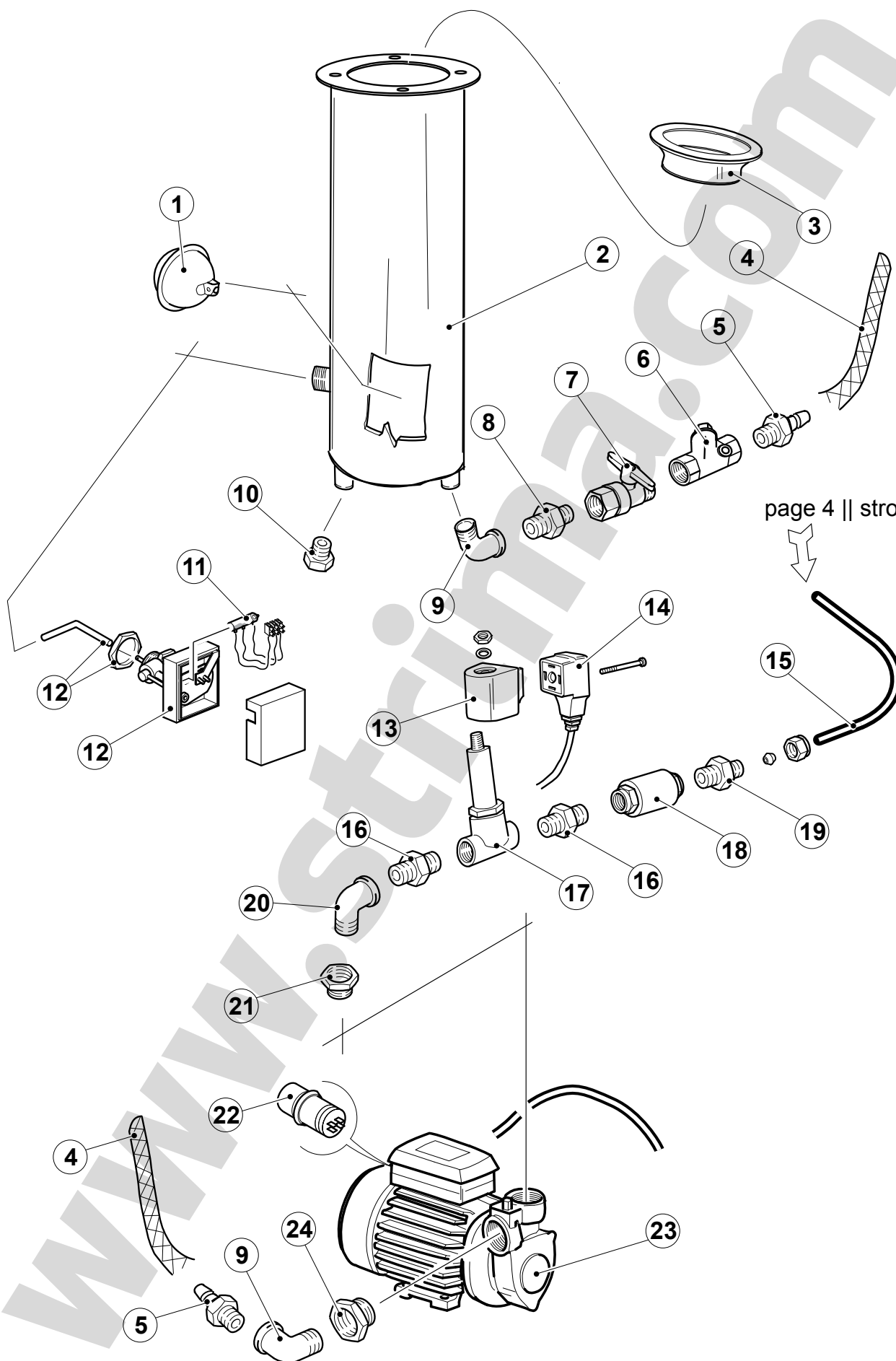
POS.	Q.TY	CODE	DESCRIPTION
1	1		Main switch
2	1		Main switch support
3	1		Switchboard
4	1		Boiler remote control switch 16 A
5	1		Terminal board
6	2	20825	Plugs MAZZERI
7	3		Luminous switches 16 A
8	3		Yellow pilot lamps
9	1		Green pilot lamp





page 7 || strona 7

POS.	Q.TY	CODE	DESCRIPTION
1	2		Coils
2	2		Connectors
3	2		Joints 1/4"
4	2		Valve groups
5	1		Joint 1/4"
6	1	20169	Manometer
7	1		Copper tube for manometer
8	1		Joint 1/4"
9	1	21032	Safety valve 1/4"
10	1		Joint 1/4"
11	4		Nuts 1/4"
12	1		T-joint 1/4"
13	1		Boiler cover
14	1	21096	Boiler
15	1		Copper tube for pressure switch
16	1		Sphere for level regulator
17	1		Curved joint 1/4"
18	1	21039	Pressure switch
19	1		Exhaust tap
20	1		Joint 3/8"
21	2	20908	Gaskets for flange
22	1		Level regulator
23	1		Flange for level regulator
24	1		Phial for level regulator
25	2	21023	Resistances
26	1		Flange for resistance



page 4 || strona 4

POS.	Q.TY	CODE	DESCRIPTION
1	1		Sphere for level regulator
2	1		Water tank
3	1		Filter
4	1		Connection tube
5	2		Hose holder 1/2"
6	1		Filter 1/2"
7	1		Ball cock 1/2"
8	1		Connection joints 1/2"
9	2		Elbow joint 1/2"
10	1		Metal cap 1/2"
11	1		Phial for level regulator
12	1		Level regulator
13	1	21008	Valve coil for water inlet
14	1		Connector
15	1		Copper tube for pump
16	2		Reducer joints 3/8"-1/4"
17	1	21008	Valve group 1/4"
18	1		Check valve 3/8"
19	1		Joint 3/8"
20	1		Elbow joint 3/8"
21	1		Reduction joint 1"-3/8"
22	1		Capacitor
23	1	21072	Electro-pump PQM-70
24	1		Reduction joint 1"-1/2"