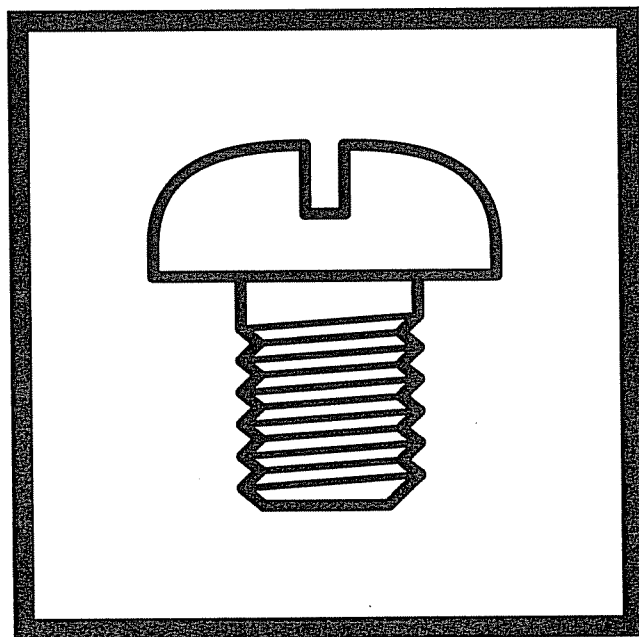


FA-V81A, V82A

パーツブック
PARTS BOOK

超高速 2 本針上下調節送りオーバーロックミシン

HIGH SPEED TWIN NEEDLE ADJUSTABLE TOP AND BOTTOM FEED
OVERLOCK SEWING MACHINE



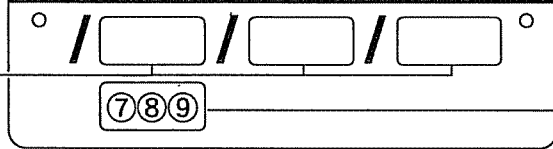
brother®

BROTHER INDUSTRIES, LTD. NAGOYA JAPAN

FA-V81A- ①②③④-⑤⑥

仕様/Specifications

装置/Devices



仕様明細/Detail of specifications

①

| | 縫い目形式 / Stitch form |
|---|------------------------------------------------------------------------|
| W | 2本針縁かがり・2本掛け Twin needle over-edge chain stitch, standard stitch |
| M | 2本針縁かがり・1本外し Twin needle over-edge chain stitch, mock safety stitch |

⑥

| | かがり幅 / Stich width |
|---|--------------------|
| 4 | 4 mm |
| 5 | 5 mm |
| 6 | 6 mm |
| 7 | 7 mm |

②

| | 用途 / Applications |
|---|-----------------------------------|
| 0 | 地縫い / Plain seaming |
| 4 | ひだ取り / Shirring |
| 5 | テープ付け / Taping |
| 6 | パイピング付ひだ取り / Shirring with piping |

⑦

| | 上ルーパーリフト / Over-looper locus |
|---|------------------------------|
| H | ハイリフト / High lift |
| E | 超ハイリフト / Extra high lift |

③

| | 縫製物 / Sewing materials |
|---|----------------------------------------|
| 1 | 極薄物～薄物 / Extra light - light materials |
| 2 | 薄物～中厚物 / Light - medium materials |
| 3 | 中厚物～厚物 / Medium - heavy materials |
| 4 | 厚物～極厚物 / Heavy - Extra heavy materials |
| 5 | 極厚物 / Extra heavy materials |
| 6 | バルキーニット / Bulky knit |
| 7 | 極厚バルキーニット / Extra heavy bulky knit |

⑧

| | 差動送り歯/針板チェーンランド / Differential feed dog |
|---|--------------------------------------------|
| 3 | 3列/チェーンランドあり 3-row / with chain land |
| 4 | 4列/チェーンランドあり 4-row / with chain land |
| 8 | 3列/チェーンランドなし 3-row / without chain land |

④

| | 特殊用途 / Special use |
|---|--------------------|
| 0 | 標準 / Standard |
| 1 | 小回り仕様 / Small type |

⑨

| | 上メス形状 / Upper knife shape |
|---|---------------------------------|
| F | 平メス / Flat knife |
| A | 角メス / Angle knife |
| V | 角メス波刃 / Angle knife, wave shape |

⑤

| | 針幅 / Needle gauge |
|---|-------------------|
| 2 | 2.2mm |
| X | 2.5mm |
| 3 | 3mm |

パーツブックご利用に際して

1. この本は、この本の表紙(正誤表の挿入されている場合は正誤表)に記載されているものと同じプレートが取り付けられているミシンのためのものです。
2. この本は、1999年7月のデータに基づいて作成されたものです。
3. 部品は予告なしに設計変更される場合があります。
4. 組単位で補給する部品は、[] 破線で示しております。
5. 部品コード欄が※となっている場合は、ゲージ部品一覧表(45-47ページ)でお調べ下さい。

目 次

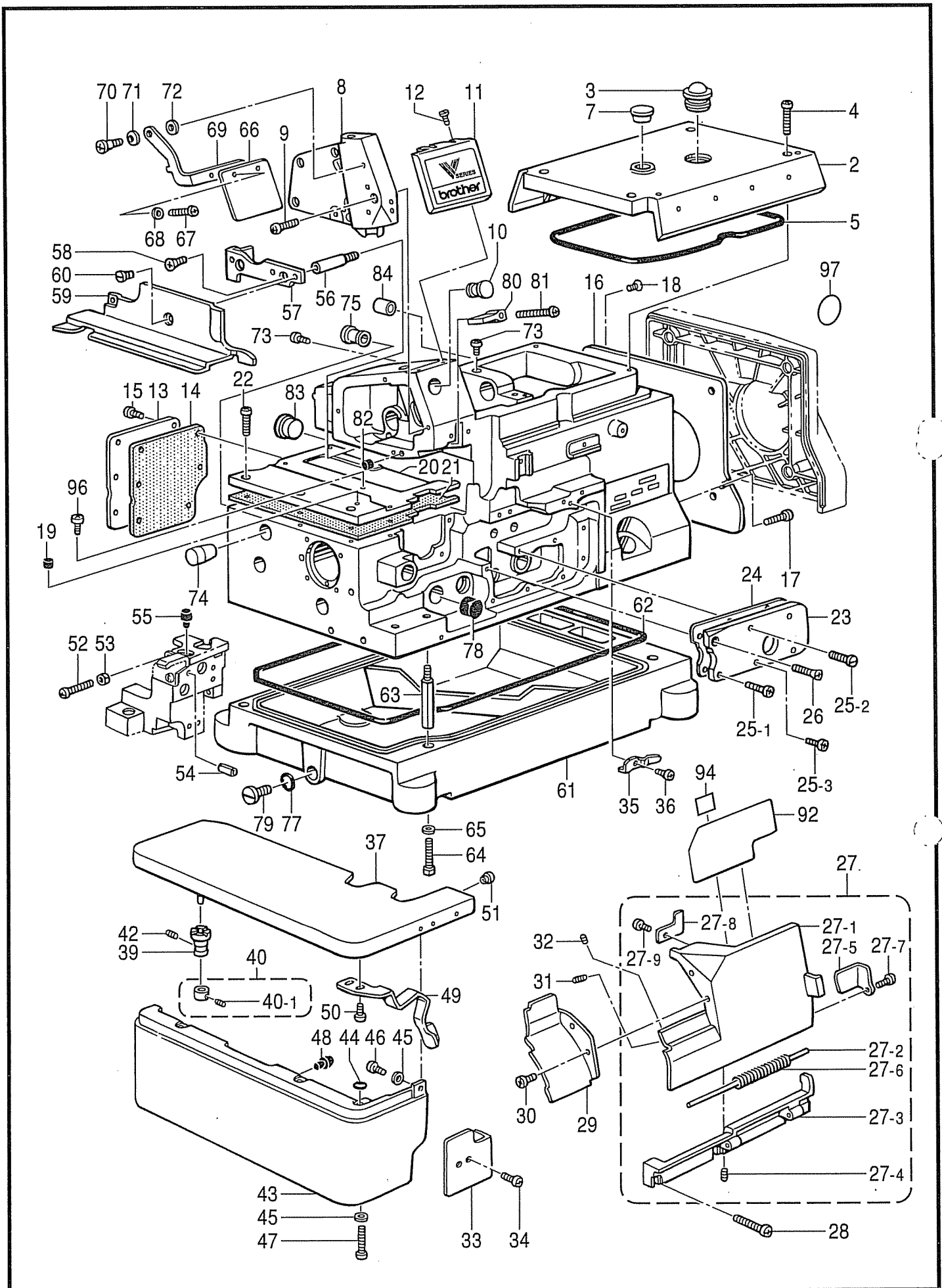
| | |
|--------------|----|
| A. 主体関係 | 1 |
| B. 駆動軸関係 | 5 |
| C. 針棒関係 | 7 |
| D. 押工関係 | 9 |
| E. 送り関係 | 13 |
| F. 上送り関係 | 17 |
| G. 上メス・下メス関係 | 21 |
| H. 上ルーパ関係 | 23 |
| J. 下ルーパ関係 | 25 |
| L. 給油潤滑関係 | 27 |
| M. 糸調子関係 | 31 |
| P. 針冷却関係 | 33 |
| Q. 縁カガリ定規関係 | 33 |
| R. ラフラー装置関係 | 35 |
| Z. 付属品関係 | 41 |
| Ga. ゲージ部品一覧表 | 45 |
| Wa. 警告ラベル | 48 |
| 索引 | 49 |

Notes for using this parts book

1. This book is applicable to sewing machines which have the same plate number as shown on the cover of this book (or correction sheet).
2. This book was prepared based on information available in July 1999.
3. Parts are subject to changes in design without prior notice.
4. Parts supplied as complete assemblies are circled by a dotted line [] .
5. If the symbol ※ is found in the "Parts No." column, refer to the different parts list on page 45-47 .

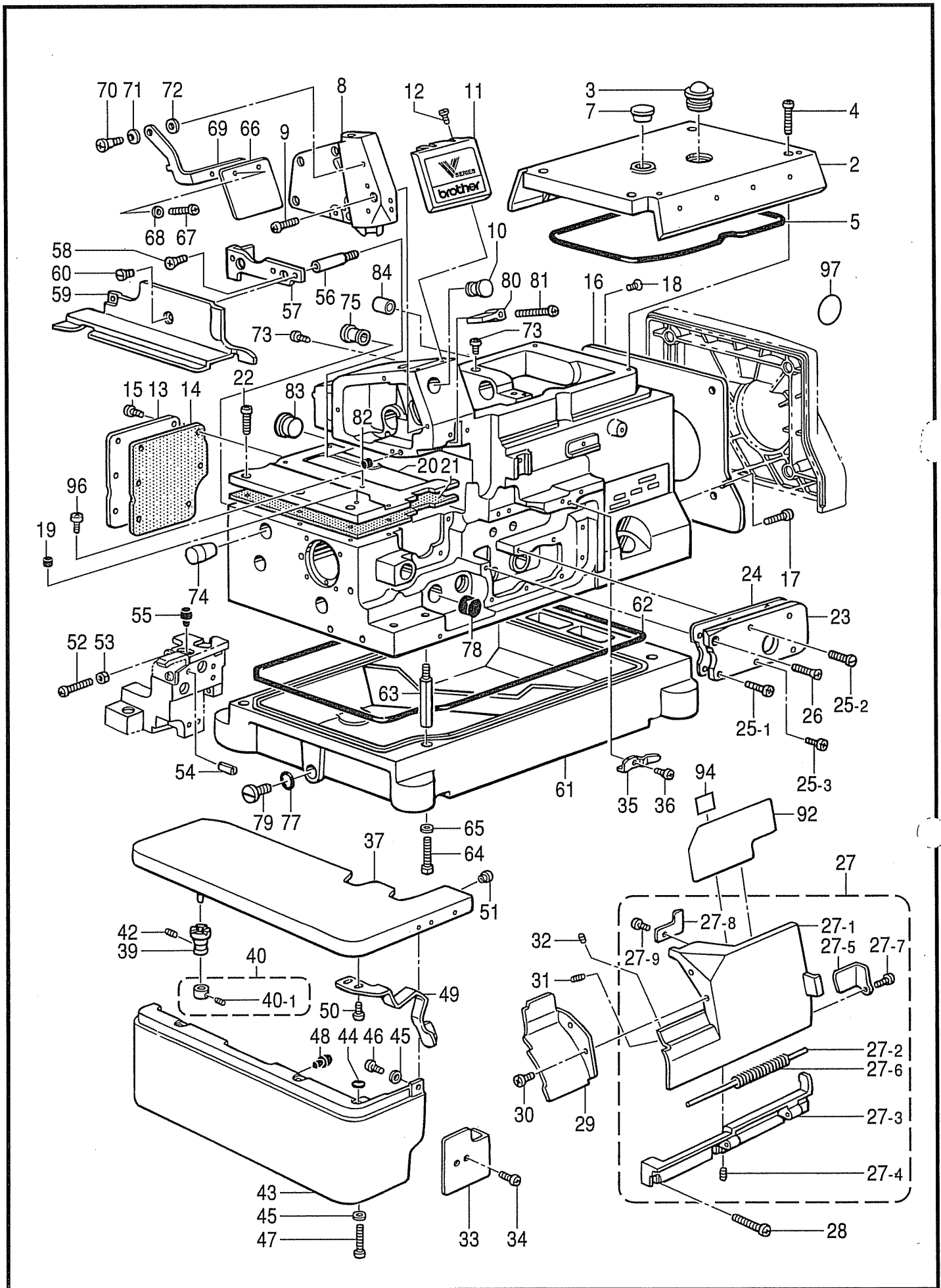
CONTENTS

| | |
|---------------------------------|----|
| A. Machine body | 1 |
| B. Crankshaft mechanism | 5 |
| C. Needle bar mechanism | 7 |
| D. Presser foot mechanism | 9 |
| E. Feed mechanism | 13 |
| F. Upper feed mechanism | 17 |
| G. Knife mechanism | 21 |
| H. Over looper mechanism | 23 |
| J. Under looper mechanism | 25 |
| L. Lubrication | 27 |
| M. Thread tension | 31 |
| P. Needle cooler | 33 |
| Q. Serging attachment | 33 |
| R. Ruffling attachment | 35 |
| Z. Accessories | 41 |
| Ga. Gauge parts List | 45 |
| Wa. Warning labels | 48 |
| INDEX | 49 |



A. 主体関係 / Machine body

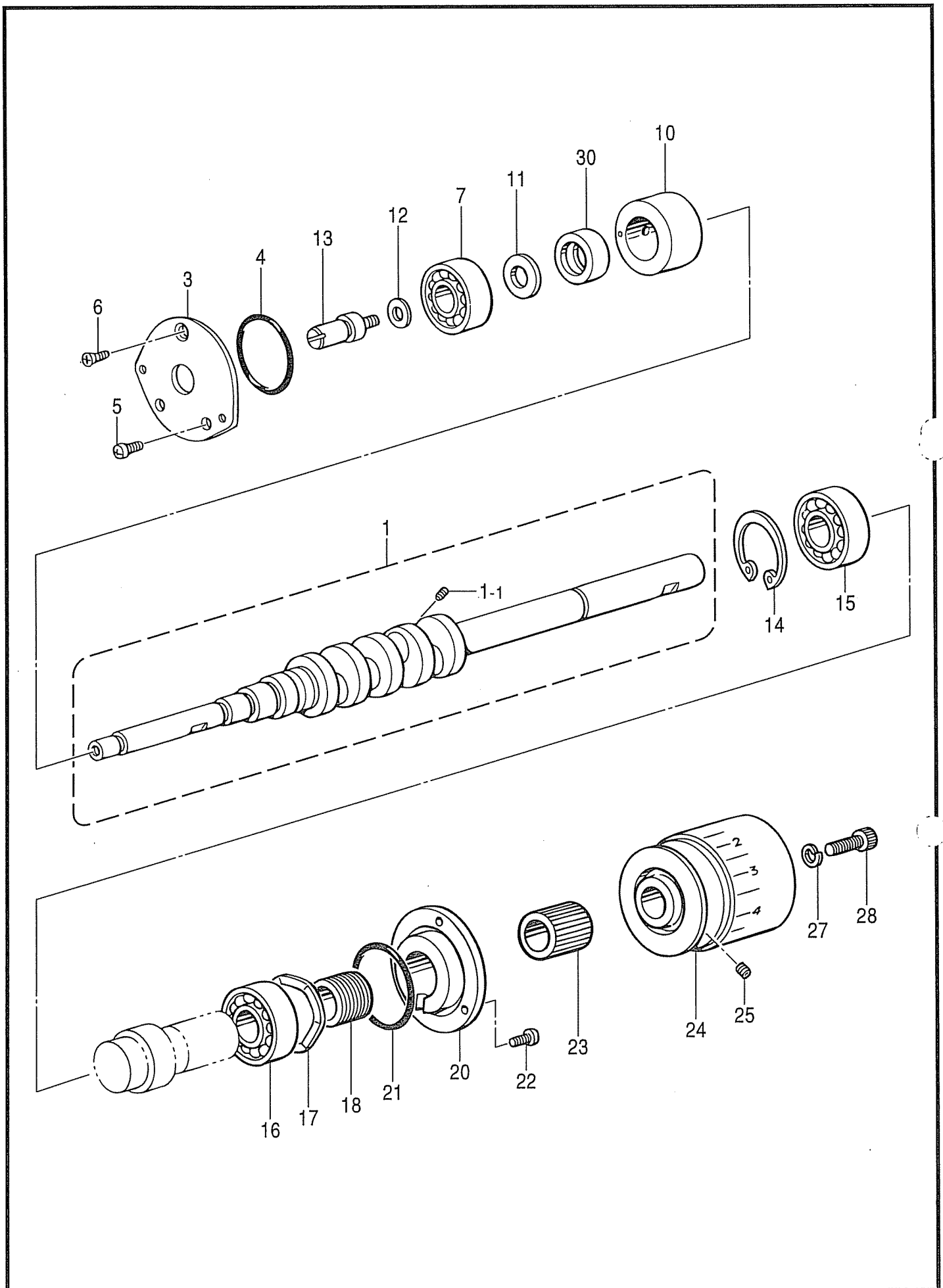
| REF.NO. | CODE | Q'TY | ヒンメイ | NAME OF PARTS | RM |
|---------|-----------|------|---------------|-----------------------------|----|
| 2 | S20204001 | 1 | ウワカバー | TOP COVER | |
| 3 | S02606000 | 1 | ユリヨウケイマド | OIL GAUGE WINDOW | |
| 4 | 062401212 | 4 | ナベコ4X12 | SCREW, PAN M4X12 | |
| 5 | S20306000 | 1 | パツキン | PACKING | |
| 7 | S23337009 | 1 | ゴムセン18.5 | RUBBER CAP, 18.5 | |
| 8 | S39607001 | 1 | ソクメンカバー | FRAME SIDE COVER | |
| 9 | 062400812 | 4 | ナベコ4X8 | SCREW, PAN M4X8 | |
| 10 | S20345009 | 1 | ゴムセン14 | RUBBER CAP, 14 | |
| 11 | S20309101 | 1 | メンイタカバー | FACE PLATE COVER | |
| 12 | 060400612 | 2 | バインドM4X6 | SCREW, BIND M4X6 | |
| 13 | S20310001 | 1 | オクリキコウカバーB | COVER FOR FEED MECHANISM, B | |
| 14 | S20311000 | 1 | パツキン | PACKING | |
| 15 | 060400812 | 6 | バインドM4X8 | SCREW, BIND M4X8 | |
| 16 | S23367001 | 1 | ファンカバー | FAN COVER | |
| 17 | 060400812 | 2 | バインドM4X8 | SCREW, BIND M4X8 | |
| 18 | 061400812 | 1 | サラコM4X8 | SCREW, FLAT M4X8 | |
| 19 | S20878000 | 1 | ゴムセン5.3 | RUBBER CAP, 5.3 | |
| 20 | S20313000 | 1 | オクリダイカバー | FEED BAR COVER | |
| 21 | S20314000 | 1 | パツキン | PACKING | |
| 22 | 062401012 | 6 | ナベコM4X10 | SCREW, PAN M4X10 | |
| 23 | S39564021 | 1 | ウチカバー | INSIDE COVER | |
| 24 | S44536000 | 1 | ウチカバーパツキン | PACKING, INSIDE COVER | |
| 25-1 | 060401012 | 3 | バインドM4X10 | SCREW, BIND M4X10 | |
| 25-2 | S23616101 | 1 | シメネジ4X10 | SCREW, M4X10 | |
| 25-3 | S44535001 | 1 | バインドM4X8シール | SCREW, BIND M4X8 SEAL | |
| 26 | 061400812 | 1 | サラコM4X8 | SCREW, FLAT M4X8 | |
| 27 | S39611001 | 1 | マエカバーLクミ | FRONT COVER ASSY, L | |
| 27-1 | S39612001 | 1 | マエカバーL | FRONT COVER, L | |
| 27-2 | S39613001 | 1 | マエカバーヒンジジク | FRONT COVER HINGE SHAFT | |
| 27-3 | S20319001 | 1 | マエカバーヒンジ | FRONT COVER HINGE | |
| 27-4 | 012400432 | 2 | アナヒラ4X4 | SET SCREW, SOCKET (FT) M4X4 | |
| 27-5 | S20320101 | 1 | マエカバーストツバ | FRONT COVER STOPPER | |
| 27-6 | S20321001 | 1 | マエカバーバネ | FRONT COVER SPRING | |
| 27-7 | 060400612 | 1 | バインドM4X6 | SCREW, BIND M4X6 | |
| 27-8 | S20327101 | 1 | マエカパートメイタ | STOPPER PLATE, FRONT COVER | |
| 27-9 | 060400612 | 1 | バインドM4X6 | SCREW, BIND M4X6 | |
| 28 | 060401412 | 3 | バインドM4X14 | SCREW, BIND M4X14 | |
| 29 | S20323101 | 1 | マエカバーS | FRONT COVER, S | |
| 30 | 062400612 | 2 | ナベコM4X6 | SCREW, PAN M4X6 | |
| 31 | 012400832 | 1 | アナヒラ4X8 | SET SCREW, SOCKET (FT) M4X8 | |
| 32 | 012400432 | 1 | アナヒラ4X4 | SET SCREW, SOCKET (FT) M4X4 | |
| 33 | S20324101 | 1 | マエカバーLアンナイ | FRONT COVER GUIDE, L | |
| 34 | 060400612 | 2 | バインドM4X6 | SCREW, BIND M4X6 | |
| 35 | S20325001 | 1 | マエカパートメイタバネ | PLATE SPRING | |
| 36 | 060400612 | 1 | バインドM4X6 | SCREW, BIND M4X6 | |
| 37 | S20328001 | 1 | クロスプレート | CLOTH PLATE | |
| 39 | S20330100 | 1 | クロスプレートササエカラー | CLOTH PLATE SUPPORT COLLAR | |
| 40 | S20331001 | 1 | セツトカラークミ | SET SCREW COLLAR ASSY | |
| 40-1 | 012400432 | 1 | アナヒラ4X4 | SET SCREW, SOCKET (FT) M4X4 | |
| 42 | 012400632 | 1 | アナヒラ4X6 | SET SCREW, SOCKET (FT) M4X6 | |
| 43 | S20334000 | 1 | クロスプレートシタ | CLOTH PLATE (LOWER) | |
| 44 | 118770001 | 3 | パツキン | PACKING | |
| 45 | 025040132 | 4 | ヒラザガネシヨウ4 | WASHER, PLAIN S 4 | |
| 46 | 060400612 | 1 | バインドM4X6 | SCREW, BIND M4X6 | |
| 47 | 060401012 | 3 | バインドM4X10 | SCREW, BIND M4X10 | |
| 48 | S20412000 | 2 | ゴムセン3.7 | RUBBER CAP, 3.7 | |
| 49 | S39625151 | 1 | クロスプレートトメイタバネ | SPRING, PLATE | |
| 50 | 060400612 | 2 | バインドM4X6 | SCREW, BIND M4X6 | |
| 51 | 156482000 | 1 | セン4 | CAP, 4 | |



A. 主体関係 / Machine body

| REF.NO. | CODE | Q'TY | ヒンメイ | NAME OF PARTS | RM |
|---------|-----------|------|---------------|-----------------------------|----|
| 52 | 062401212 | 1 | ナベコ4X12 | SCREW, PAN M4X12 | |
| 53 | 021400212 | 1 | 2シユナツト4 | NUT, 2 M4 | |
| 54 | 047602042 | 1 | スプリングピン6X20 | PIN, SPRING ROLL 6X10 | |
| 55 | S20412000 | 1 | ゴムセン3.7 | RUBBER CAP, 3.7 | |
| 56 | S20208001 | 2 | スタツド4 | STUD, 4 | |
| 57 | S20207101 | 1 | ヌノアンナイトリツケイタ | CLOTH GUIDE SET PLATE | |
| 58 | 061400812 | 2 | サラコM4X8 | SCREW, FLAT M4X8 | |
| 59 | S20337001 | 1 | クロスプレートヌノアンナイ | CLOTH GUIDE | |
| 60 | S23418002 | 2 | シメネジ4X5 | SCREW, M4X5 | |
| 61 | S20338200 | 1 | アブラウケ | OIL PAN | |
| 62 | S20339000 | 1 | パツキン | PACKING | |
| 63 | S23350001 | 4 | ホンタイシチユウ | MACHINE BODY LEG | |
| 64 | 017501212 | 4 | ボルト5X12 | BOLT, M5X12 | |
| 65 | S23351001 | 4 | ザガネ | WASHER | |
| 66 | S00075000 | 1 | アイガード | EYE GUARD | |
| 67 | 060350812 | 2 | バインド35X8 | SCREW, BIND M3.5X8 | |
| 68 | 025350332 | 2 | ヒラザガネダイ3.5 | WASHER, PLAIN L 3.5 | |
| 69 | S20340001 | 1 | アイガードササエイタ | EYE GUARD SUPPORT PLATE | |
| 70 | S20342001 | 1 | ダンネジ4 | SHOULDER SCREW, M4 | |
| 71 | 146598001 | 1 | バネザガネ | WASHER, SPRING | |
| 72 | 025050132 | 1 | ヒラザガネシヨウ5 | WASHER, PLAIN S 5 | |
| 73 | S30517101 | 5 | ナベコシール6X10 | SCREW, PAN M6X10 SEAL | |
| 74 | S20344009 | 1 | ゴムセン16 | RUBBER CAP, 16 | |
| 75 | S20345009 | 1 | ゴムセン14 | RUBBER CAP, 14 | |
| 77 | 081009070 | 1 | OリングP9 | O RING, P9 | |
| 78 | 154841001 | 1 | ゴムセン16.8 | RUBBER CAP, 16.8 | |
| 79 | S23357001 | 1 | シメネジ10 | SCREW, M10 | |
| 80 | S20346000 | 1 | ハリボウアブラウケ | NEEDLE BAR OIL RESERVOIR | |
| 81 | 062401612 | 1 | ナベコM4X16 | SCREW, PAN M4X16 | |
| 82 | S20878000 | 1 | ゴムセン5.3 | RUBBER CAP, 5.3 | |
| 83 | S23337009 | 1 | ゴムセン18.5 | RUBBER CAP, 18.5 | |
| 84 | S07477009 | 1 | ゴムリング | RUBBER RING | |
| 92 | S25181001 | 1 | イトトオシセツメイラベルC | THREADING DIAGRAM LABEL (C) | |
| 94 | S44821001 | 1 | セイソウシジラベル | LABEL, CLEANING | |
| 96 | 060400512 | 1 | バインドM4X5 | SCREW, BIND M4X5 | |
| 97 | S43453001 | 1 | フィルタコウカンシジラベル | LABEL, CLEANING FILTER | |

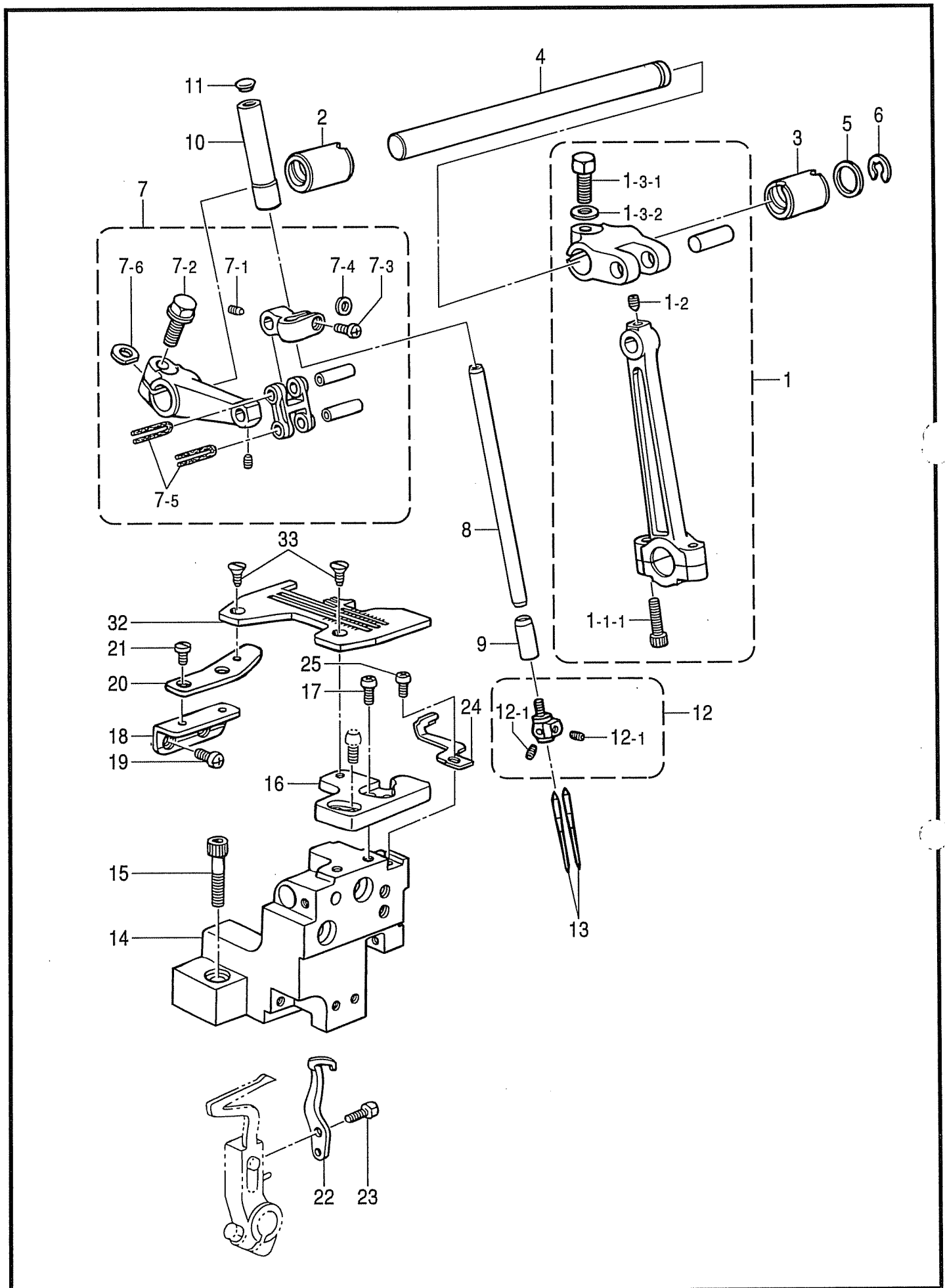
B. 駆動軸関係 / Driving shaft mechanism



B. 駆動軸関係 / Crankshaft mechanism

| REF.NO. | CODE | Q'TY | ヒンメイ | NAME OF PARTS | RM |
|---------|-----------|------|---------------|------------------------------|----|
| 1 | S46923001 | 1 | クドウジクQネジツキ | CRANKSHAFT, Q W/SCREW | |
| 1-1 | S25530001 | 1 | アナクボミ2.5X4 | SET SCREW, SOCKET M2.5X14 | |
| 3 | S39629021 | 1 | ベアリングフタ | BEARIG CAP | |
| 4 | 081031870 | 1 | Oリング S31.5 | O RING S31.5 | |
| 5 | 062400812 | 2 | ナベコ4X8 | SCREW, PAN M4X8 | |
| 6 | 061400812 | 1 | サラコM4X8 | SCREW, FLAT M4X8 | |
| 7 | 072600000 | 1 | タマジクウケ6000 | BALL BEARING, 6000 | |
| 10 | S39630000 | 1 | クドウジクメタル | CRANK SHAFT BUSH | |
| 11 | S20356001 | 1 | ヒラザガネ10 | WASHER, PLAIN 10 | |
| 12 | 155559001 | 1 | ヒラザガネ | WASHER, PLAIN | |
| 13 | S46900001 | 1 | ニジユウカンテンビンジク | D-CHAIN STITCH THR. | |
| 14 | 048400242 | 1 | トメワアナヨウC40 | RETAINING RING, C40 | |
| 15 | 076203000 | 1 | タマジクウケ6203 | BALL BEARING, 6203 | |
| 16 | S27868001 | 1 | タマジクウケ6203V | BALL BEARING, 6203V | |
| 17 | S20361001 | 1 | ナミバネ | SPRING, WAVE | |
| 18 | S20362151 | 1 | クドウジクオイルキリ | CRANK SHAFT OIL REJECTOR | |
| 20 | S39631000 | 1 | ベアリングオサエ | BEARING PRESSER | |
| 21 | S20353000 | 1 | Oリング | O RING | |
| 22 | 062401012 | 3 | ナベコM4X10 | SCREW, PAN M4X10 | |
| 23 | S34326000 | 1 | ファンブツシユ | BUSHING, FAN | |
| 24 | S39565101 | 1 | フーリ | PULLEY | |
| 25 | 012060632 | 2 | アナヒラ6X6 | SET SCREW, SOCKET (FT) M6X6 | |
| 27 | 028060242 | 1 | バネザガネ2-6 | WASHER, SPRING 2-6 | |
| 28 | 018062532 | 1 | アナホルト6X25 | BOLT, SOCKET M6X25 | |
| 30 | S20357000 | 1 | ニジユウカンヘンシンカバー | CHAIN STITCH ECCENTRIC COVER | |

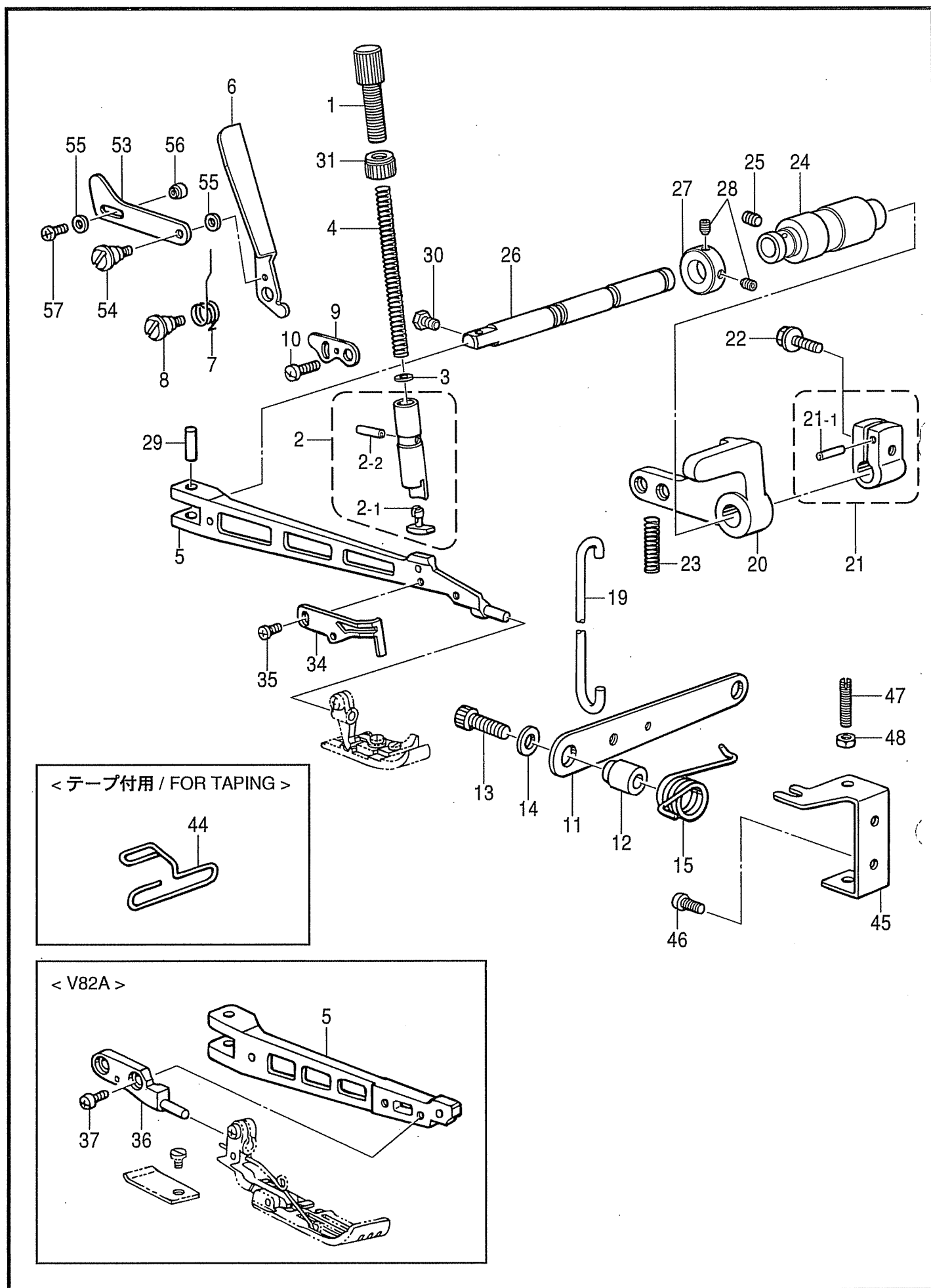
C . 針棒關係 / Needle bar mechanism



C. 針棒関係 / Needle bar mechanism

| REF.NO. | CODE | Q'TY | ヒンメイ | NAME OF PARTS | RM |
|---------|-----------|------|--------------------------|-----------------------------------------------------|----|
| 1 | S46931001 | 1 | <ハイリフト用> ハリ克蘭クロツドクミH | <FOR HIGH-LIFT> N-DRIVING CRANK ROD ASSY, H | |
| 1 | S46932001 | 1 | <超ハイリフト用> ハリ克蘭クロツドクミE | <FOR EXTRA HIGH-LIFT> N-DRIVING CRNK ROD ASSY, E | |
| 1-1-1 | 018401622 | 2 | アナボルト4X16 | BOLT, SOCKET M4X16 | |
| 1-2 | S23342001 | 1 | アナトガリ4X5 | SET SCREW, SOCKET (CN) M4X5 | |
| 1-3-1 | 017061612 | 1 | ボルト6X16 | BOLT, M6X16 | |
| 1-3-2 | 118735002 | 1 | ザガネ | WASHER | |
| 2 | S39644021 | 1 | ハリジクメタルL | NEEDLE SHAFT BUSH, L | |
| 3 | S39645021 | 1 | ハリジクメタルR | NEEDLE SHAFT BUSH, R | |
| 4 | S39646021 | 1 | ハリジク | NEEDLE SHAFT | |
| 5 | S39647000 | 1 | ザガネ | WASHER | |
| 6 | 146293001 | 1 | トメワE10 | RETAINING RING, E10 | |
| 7 | S20386101 | 1 | ハリボウダキクミ | NEEDLE BAR CLAMP ASSY | |
| 7-1 | S23342001 | 2 | アナトガリ4X5 | SET SCREW, SOCKET (CN) M4X5 | |
| 7-2 | S46899001 | 1 | ザガネツキボルト6X16 | BOLT, (S/P WASHER) M6X16 | |
| 7-3 | 062350812 | 1 | ナベコ3.5X8 | SCREW, PAN M3.5X8 | |
| 7-4 | S20391001 | 1 | スペーサ | SPACER | |
| 7-5 | S20392000 | 2 | フェルト | FELT | |
| 7-6 | 155162001 | 1 | スペーサ | SPACER | |
| 8 | S20393101 | 1 | ハリボウ | NEEDLE BAR | |
| 9 | S39648021 | 1 | ハリボウメタルD | NEEDLE BAR BUSH, D | |
| 10 | S39571021 | 1 | ハリボウメタルU | NEEDLE BAR BUSH, U | |
| 11 | 104450101 | 1 | ゴムセン8 | RUBBER CAP, 8 | |
| 12 | ※ | 1 | ハリドメクミ | NEEDLE CLAMP ASSY | |
| 12-1 | 146427001 | 2 | アナトメネジ3.18クボミ | SET SCREW, SOCKET (CP) SM3.18 | |
| 13 | ※ | 2 | ミシンハリDCX27 | NEEDLE, DCX27 | |
| 14 | S39649021 | 1 | ハリイタササエダイ | NEEDLE PLATE SUPPORT BRACKET | |
| 15 | 018062532 | 2 | アナボルト6X25 | BOLT, SOCKET M6X25 | |
| 16 | S39650051 | 1 | ハリイタササエイタF | NEEDLE PLATE SUPPORT, F | |
| 17 | 062401012 | 2 | ナベコM4X10 | SCREW, PAN M4X10 | |
| 18 | S20413051 | 1 | ハリイタササエイタBササエ | SUPPORT, B N-PLATE SUPPORT | |
| 19 | 062400612 | 2 | ナベコM4X6 | SCREW, PAN M4X6 | |
| 20 | S20414001 | 1 | ハリイタササエイタB | NEEDLE PLATE SUPPORT PLATE (B) | |
| 21 | S23418002 | 2 | シメネジ4X5 | SCREW, M4X5 | |
| 22 | S20415101 | 1 | イドウハリウケ | MOVABLE NEEDLE GUARD | |
| 23 | S20416101 | 1 | ボルト3.5X10 | BOLT, M3.5X10 | |
| 24 | S39653051 | 1 | ハリウケF | NEEDLE GUARD, F | |
| 25 | 062350812 | 1 | ナベコ3.5X8 | SCREW, PAN M3.5X8 | |
| 32 | ※ | 1 | ハリイタ | NEEDLE PLATE | |
| 33 | 100032003 | 2 | サラネジ4.37 | SCREW, FLAT SM4.37 | |

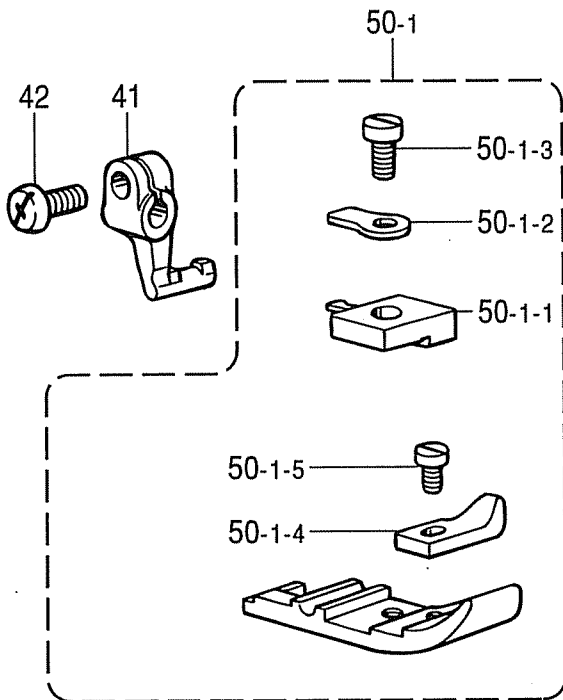
D. 押工関係 / Presser foot mechanism



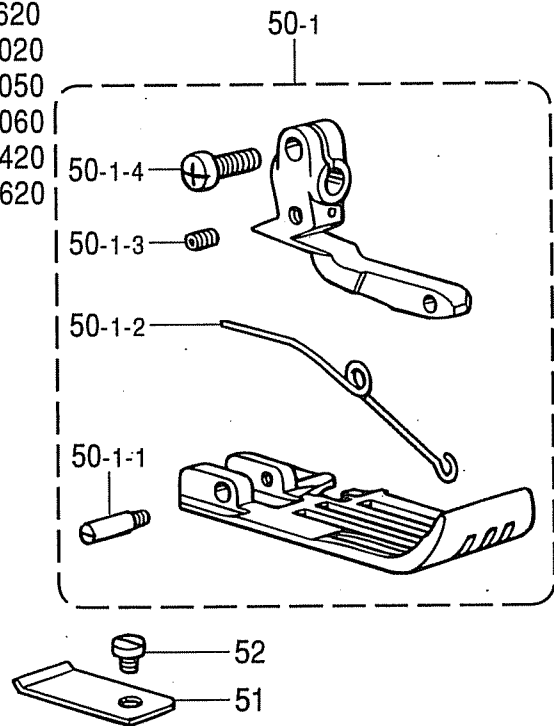
D. 押工関係 / Presser foot mechanism

| REF.NO. | CODE | Q'TY | ヒンメイ | NAME OF PARTS | RM |
|---------|-----------|------|---------------------|------------------------------|----|
| 1 | S20472001 | 1 | オサエチヨウセツネジ | ADJUST SCREW | |
| 2 | S46887001 | 1 | オサエボウクミ | PRESSER BAR ASSY | |
| 2-1 | S39577000 | 1 | オサエクツシヨン | CUSHION | |
| 2-2 | 047301642 | 1 | スプリングピンAW3 | PIN, SPRING ROLL AW3 | |
| 3 | 105161004 | 1 | ザガネ | WASHER | |
| 4 | S20477001 | 1 | オサエバネ | PRESSER SPRING | |
| 6 | S46840001 | 1 | オサエテアゲ | PRESSER BAR LIFTER | |
| 7 | S39660001 | 1 | オサエテアゲバネ | PRESSER BAR LIFTER SPRING | |
| 8 | S39661001 | 1 | ダンネジ4 | SHOULDER SCREW, M4 | |
| 9 | S39662001 | 1 | シユオサエウデストツバ | MAIN PRESSER ARM STOPPER | |
| 10 | 060400612 | 1 | バインドM4X6 | SCREW, BIND M4X6 | |
| 11 | S39663021 | 1 | オサエアシアゲレバー | PRESSER FOOT LIFTER LEVER | |
| 12 | S39664001 | 1 | オサエアシアゲレバーカラー | COLLAR | |
| 13 | 018062532 | 1 | アナホルト6X25 | BOLT, SOCKET M6X25 | |
| 14 | 025060332 | 1 | ヒラザガネダイ6 | WASHER, PLAIN L 6 | |
| 15 | S39665001 | 1 | オサエアシアゲレバーバネ | SPRING | |
| 19 | S20485001 | 1 | オサエアゲリンク | PRESSER BAR LIFTER LINK | |
| 20 | S20209001 | 1 | オサエアゲレバー | PRESSER BAR LIFTER LEVER | |
| 21 | S46849001 | 1 | オサエアゲウデクミ | PRESSER BAR LIFTER ARM ASSY | |
| 21-1 | 047401642 | 1 | スプリングピンAW4 | PIN, SPRING ROLL AW4 | |
| 22 | S46899001 | 1 | ザガネツキボルト6X16 | BOLT, (S/P WASHER) M6X16 | |
| 23 | S20489001 | 1 | オサエアゲレバーバネ | SPRING, PRESSER LIFTER LEVER | |
| 24 | S46839000 | 1 | オサエウデジクメタル | PRESSER ARM SHAFT BUSH | |
| 25 | 012060632 | 1 | アナヒラ6X6 | SET SCREW, SOCKET (FT) M6X6 | |
| 26 | S39671101 | 1 | オサエウデジク | PRESSER ARM SHAFT | |
| 27 | S39733001 | 1 | セツトカラー | SET SCREW COLLAR | |
| 28 | 012400432 | 2 | アナヒラ4X4 | SET SCREW, SOCKET (FT) M4X4 | |
| 29 | S39672001 | 1 | オサエウデピン | PRESSER ARM PIN | |
| 30 | S46903001 | 1 | アタマツキトメネジ4X5 | SET SCREW, M4X5 | |
| 31 | S23341009 | 1 | チヨウセツネジツマミナツト | NUT | |
| 45 | S23349001 | 1 | レバーチヨウセツイタ | LEVER ADJUSTING PLATE | |
| 46 | 060400812 | 2 | バインドM4X8 | SCREW, BIND M4X8 | |
| 47 | 011502012 | 2 | トメネジ5X20ヒラ | SET SCREW, (FT) M5X20 | |
| 48 | 021500312 | 2 | 3シユナツト5 | NUT, 3 M5 | |
| 53 | S46841001 | 1 | ウワオクリアゲリンク | LINK | |
| 54 | S46842001 | 1 | ダンネジ4 | SHOULDER SCREW, M4 | |
| 55 | 158722002 | 2 | ザガネ4.2 | WASHER, PLAIN 4.2 | |
| 56 | S46843001 | 1 | カラー | COLLAR | |
| 57 | 062401612 | 1 | ナベコM4X16 | SCREW, PAN M4X16 | |
| ----- | | | | | |
| 5 | S46889001 | 1 | <V81A> シユオサエウデ | MAIN PRESSER ARM | |
| 34 | S37070121 | 1 | フィンガーガードV | FINGER GUARD, V | |
| 35 | 060300412 | 1 | バインドM3X4 | SCREW, BIND M3X4 | |
| 5 | S46908001 | 1 | <V82A> シユオサエウデ | MAIN PRESSER ARM | |
| 36 | S20298001 | 1 | ナカオサエウデ | PRESSER ARM | |
| 37 | 062350612 | 2 | ナベコM3.5X6 | SCREW, PAN M3.5X6 | |
| ----- | | | | | |
| 44 | S23364000 | 1 | <テープ付け用> テープアンナイ | <FOR TAPING> TAPE GUIDE | |

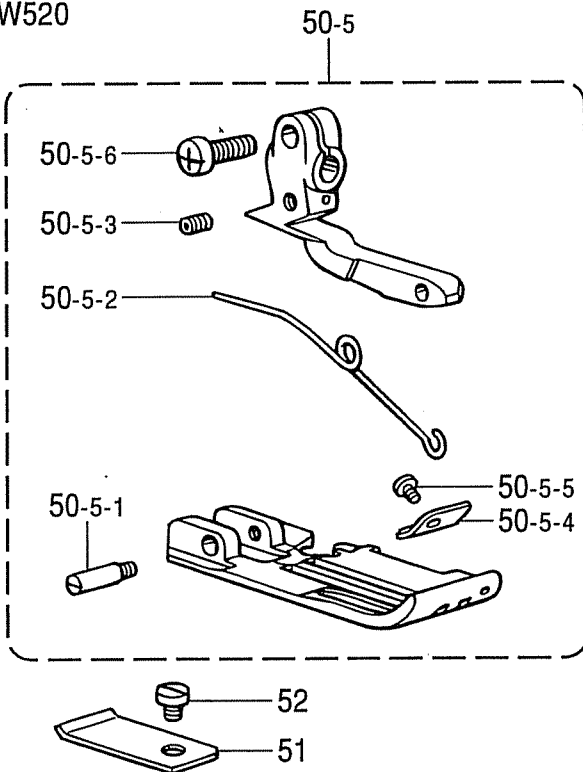
V81A
W020



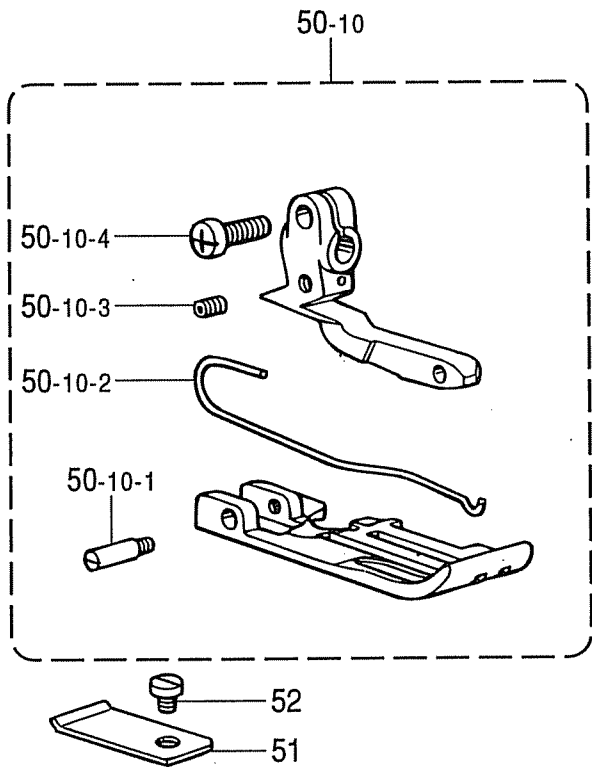
V82A
M020
M050
M420
M620
W020
W050
W060
W420
W620



V82A
M520
W520



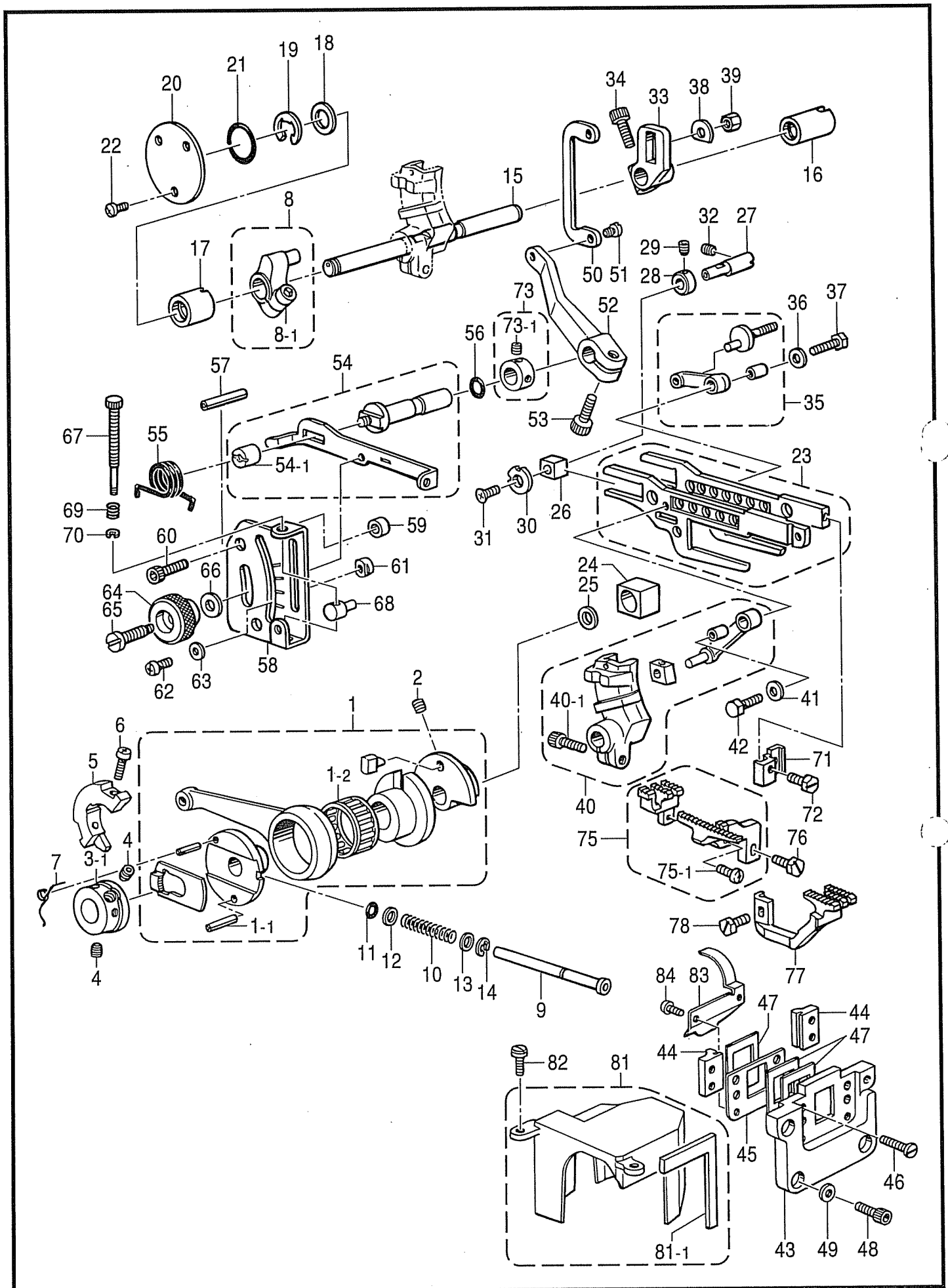
V82A
W021 (小回り用 / FOR SMALL TYPE)



D. 押工関係 / Presser foot mechanism

| REF.NO. | CODE | Q'TY | ヒンメイ | NAME OF PARTS | RM |
|---------|-----------|------|------------------------------------------------------------------|--------------------------------|----|
| 50-1 | ※ | 1 | V81A <W020> オサエクミ | PRESSER FOOT ASSY | |
| 50-1-1 | ※ | 1 | ツメ | STITCH TONGUE | |
| 50-1-2 | S19496001 | 1 | オサエトリツケイタ | PRESSER FOOT PLATE | |
| 50-1-3 | 150755001 | 1 | シメネジ3.18 | SCREW, SM3.18 | |
| 50-1-4 | S19279001 | 1 | オサエF | PRESSER FOOT, F | |
| 50-1-5 | 060630412 | 1 | バインド238-56X4 | SCREW, BIND SM2.38-56X4 | |
| 41 | S20494001 | 1 | フクオサエウデ | SUB PRESSER ARM | |
| 42 | 062670712 | 1 | ナベコ357-40X7 | SCREW, PAN SM3.57-40X7 | |
| | | | | | |
| 50-1 | ※ | 1 | V82A <M020,M050,M420,M620,W020, W050,W060,W420,W620> オサエクミ | PRESSWE FOOT ASSY | |
| 50-1-1 | S19346001 | 1 | シテンネジ | SCREW | |
| 50-1-2 | S20842001 | 1 | オサエネジリバネ | TWIST SPRING | |
| 50-1-3 | 148294001 | 1 | アナトメネジ3.57クボミ | SET SCREW, SOCKET (CP) SM3.57 | |
| 50-1-4 | 062670712 | 1 | ナベコ357-40X7 | SCREW, PAN SM3.57-40X7 | |
| 51 | S19535001 | 1 | オサエBホジヨイタ | PRESSER FOOT (B) SUPPORT PLATE | |
| 52 | 140530002 | 1 | シメネジ2.38 | SCREW, SM2.38 | |
| 50-5 | ※ | 1 | V82A <M520,W520> オサエクミ | PRESSWE FOOT ASSY | |
| 50-5-1 | S19346001 | 1 | シテンネジ | SCREW | |
| 50-5-2 | S20842001 | 1 | オサエネジリバネ | TWIST SPRING | |
| 50-5-3 | 148294001 | 1 | アナトメネジ3.57クボミ | SET SCREW, SOCKET (CP) SM3.57 | |
| 50-5-4 | S20268001 | 1 | テープアンナイ | TAPE GUIDE | |
| 50-5-5 | 100105005 | 1 | シメネジ2.38 | SCREW, SM2.38 | |
| 50-5-6 | 062670712 | 1 | ナベコ357-40X7 | SCREW, PAN SM3.57-40X7 | |
| 51 | S19535001 | 1 | オサエBホジヨイタ | PRESSER FOOT (B) SUPPORT PLATE | |
| 52 | 140530002 | 1 | シメネジ2.38 | SCREW, SM2.38 | |
| 50-10 | ※ | 1 | V82A <W021 小回り用> オサエクミ | PRESSWE FOOT ASSY | |
| 50-10-1 | S19346001 | 1 | シテンネジ | SCREW | |
| 50-10-2 | S25083001 | 1 | オサエネジリバネ | TWIST SPRING | |
| 50-10-3 | 148294001 | 1 | アナトメネジ3.57クボミ | SET SCREW, SOCKET (CP) SM3.57 | |
| 50-10-4 | 062670712 | 1 | ナベコ357-40X7 | SCREW, PAN SM3.57-40X7 | |
| 51 | S19535001 | 1 | オサエBホジヨイタ | PRESSER FOOT (B) SUPPORT PLATE | |
| 52 | 140530002 | 1 | シメネジ2.38 | SCREW, SM2.38 | |

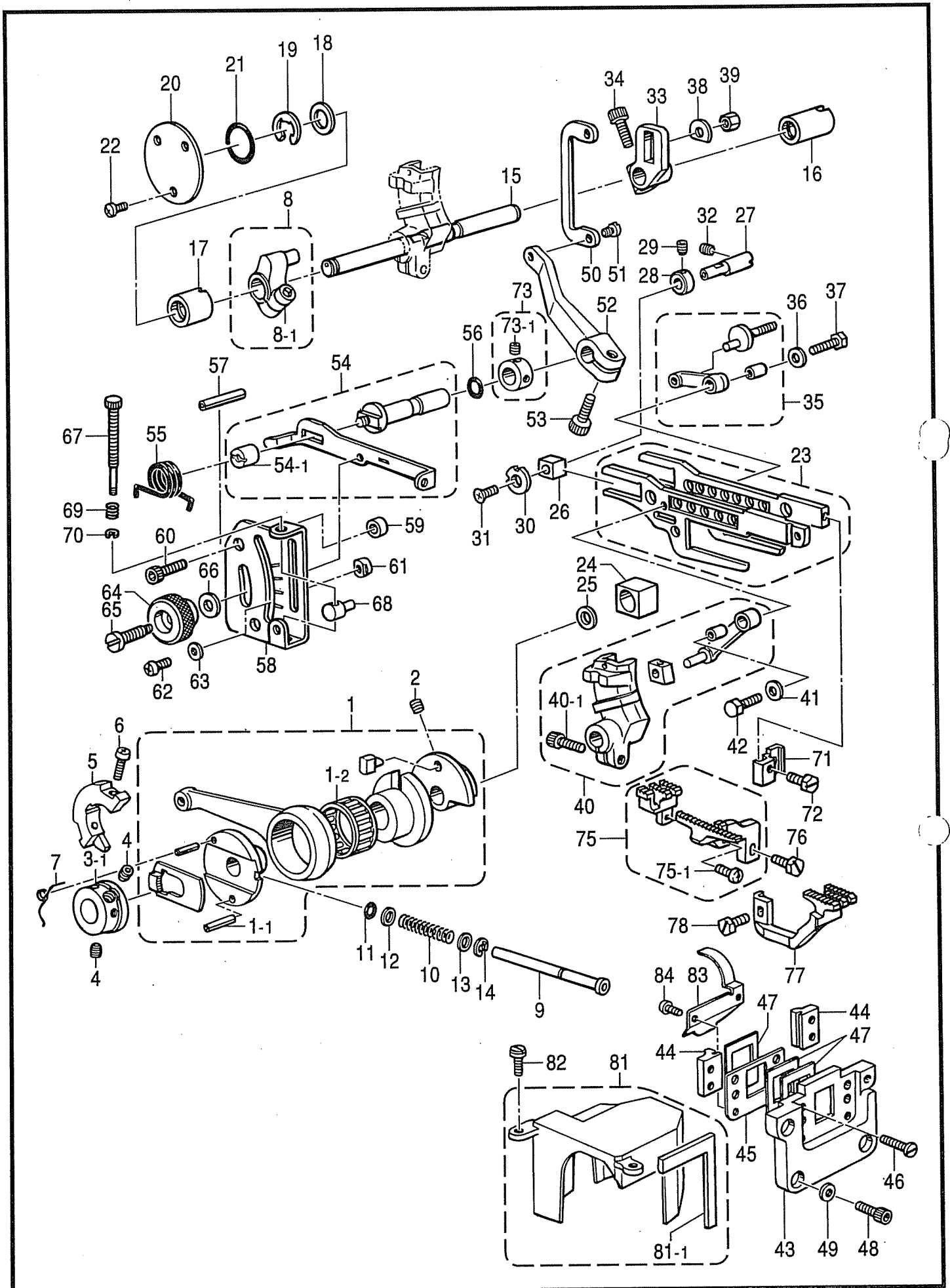
E. 送り関係 / Feed mechanism



E. 送り関係 / Feed mechanism

| REF.NO. | CODE | Q'TY | ヒンメイ | NAME OF PARTS | RM |
|---------|-----------|------|----------------|-------------------------------|----|
| 1 | S20496101 | 1 | ヘンシンリンクミ | ECCENTRIC LINK ASSY | |
| 1-1 | 047250842 | 1 | スプリングピンAW2.5 | PIN, SPRING ROLL AW2.5 | |
| 1-2 | S20500001 | 1 | ニードルジクウケ24 (赤) | NEEDLE BEARING 24 RED | |
| 1-2 | S20500002 | 1 | ニードルジクウケ24 (青) | NEEDLE BEARING 24 BLUE | |
| 1-2 | S20500003 | 1 | ニードルジクウケ24 (白) | NEEDLE BEARING 24 WHITE | |
| 2 | 012060632 | 2 | アナヒラ6X6 | SET SCREW, SOCKET (FT) M6X6 | |
| 3-1 | S20507001 | 1 | ラチエツト | RATCHET | |
| 4 | 012060632 | 2 | アナヒラ6X6 | SET SCREW, SOCKET (FT) M6X6 | |
| 5 | S23615001 | 1 | バランスウエイト | BALANCE WEIGHT | |
| 6 | 062401012 | 2 | ナベコM4X10 | SCREW, PAN M4X10 | |
| 7 | S23458101 | 1 | ラチエツトトメネジリバネ | SPRING, TWIST | |
| 8 | S39589021 | 1 | オクリウデクミ | FEED ARM ASSY | |
| 8-1 | 018061632 | 1 | アナボルト6X16 | BOLT, SOCKET M6X16 | |
| 9 | S39674001 | 1 | オクリチヨウセツボタンジク | FEED ADJUST SHAFT | |
| 10 | S39675001 | 1 | ボタンジクバネ | SPRING | |
| 11 | 081005070 | 1 | OリングP5 | O RING, P5 | |
| 12 | 025710232 | 1 | ヒラザガネチユウ4.76 | WASHER, PLAIN M 4.76 | |
| 13 | 025710232 | 1 | ヒラザガネチユウ4.76 | WASHER, PLAIN M 4.76 | |
| 14 | 048040342 | 1 | トメワE4 | RETAINING RING, E4 | |
| 15 | S39676121 | 1 | オクリジク | FEED SHAFT | |
| 16 | S39677021 | 1 | メタル11.11-17 | BUSH, 11.11-17 | |
| 17 | S39678021 | 1 | オクリジクメタルL | FEED SHAFT BUSH, L | |
| 18 | S30562000 | 1 | ザガネ | WASHER | |
| 19 | 048090342 | 1 | トメワE9 | RETAINING RING, E9 | |
| 20 | S39679001 | 1 | オクリジクメタルLフタ | FEED SHAFT BUSH CAP, L | |
| 21 | 081020070 | 1 | OリングP20 | O RING, P20 | |
| 22 | 060400612 | 3 | バインドM4X6 | SCREW, BIND M4X6 | |
| 23 | S46891001 | 1 | オクリダイクミ | FEED BAR ASSY | |
| 24 | S38312050 | 1 | ジヨウゲオクリカクゴマ | FEED LIFTING SLIDE BLOCK | |
| 25 | 142628001 | 2 | スイハイオクリクランクリング | FEED ROCK CRANK RING | |
| 26 | S39683000 | 1 | オクリダイカクゴマ | FEED BAR SLIDE BLOCK | |
| 27 | S39684021 | 1 | オクリダイカクコマジク | FEED BAR SLIDE BLOCK SHAFT | |
| 28 | S39685001 | 1 | セットカラー | SET SCREW COLLAR | |
| 29 | 012400432 | 1 | アナヒラ4X4 | SET SCREW, SOCKET (FT) M4X4 | |
| 30 | S20530001 | 1 | ザガネ | WASHER | |
| 31 | 004350812 | 1 | +サラコ35X8 | SCREW, FLAT M3.5X8 | |
| 32 | 012400832 | 1 | アナヒラ4X8 | SET SCREW, SOCKET (FT) M4X8 | |
| 33 | S42042021 | 1 | シユオクリウデ | MAIN FEED ARM | |
| 34 | 018061632 | 1 | アナボルト6X16 | BOLT, SOCKET M6X16 | |
| 35 | S39773001 | 1 | シユオクリリンククミ | MAIN FEED LINK ASSY | |
| 36 | S39690021 | 1 | ザガネ | WASHER | |
| 37 | S23360001 | 1 | ボルト5X15 | BOLT, M5X15 | |
| 38 | S02573000 | 1 | ザガネ | WASHER | |
| 39 | S39691001 | 1 | ナツト5 | NUT, M5 | |
| 40 | S39769051 | 1 | サドウオクリウデリンククミ | DIFF. FEED ARM LINK ASSY | |
| 40-1 | 018061632 | 1 | アナボルト6X16 | BOLT, SOCKET M6X16 | |
| 41 | S39690021 | 1 | ザガネ | WASHER | |
| 42 | S23360001 | 1 | ボルト5X15 | BOLT, M5X15 | |
| 43 | S20523000 | 1 | オクリダイアンナイササエ | FEED BAR GUIDE SUPPORT | |
| 44 | S20524000 | 2 | オクリダイアンナイ | FEED BAR GUIDE | |
| 45 | S20525001 | 1 | ボウジンイタササエ | FRAGMENT PROTECTOR PLATE | |
| 46 | S20740101 | 4 | シメネジ4X10シール | SCREW, SEAL M4X10 | |
| 47 | S20526000 | 3 | ボウジンイタ | FRAGMENT PROTECTOR PLATE | |
| 48 | S43916001 | 4 | アナボルト4X8シール | SCREW, SEAL M4X10 | |
| 49 | 025040132 | 4 | ヒラザガネシヨウ4 | WASHER, PLAIN S 4 | |
| 50 | S39692021 | 1 | サドウチヨウセツリンク | DIFFERENTIAL FEED ADJUST LINK | |
| 51 | S20543101 | 1 | シメネジ5 | SCREW, M5 | |
| 52 | S20544000 | 1 | サドウリンクレバー | DIFFERENTIAL LINK LEVER | |
| 53 | 018061432 | 1 | アナボルト6X14 | BOLT, SOCKET M6X14 | |

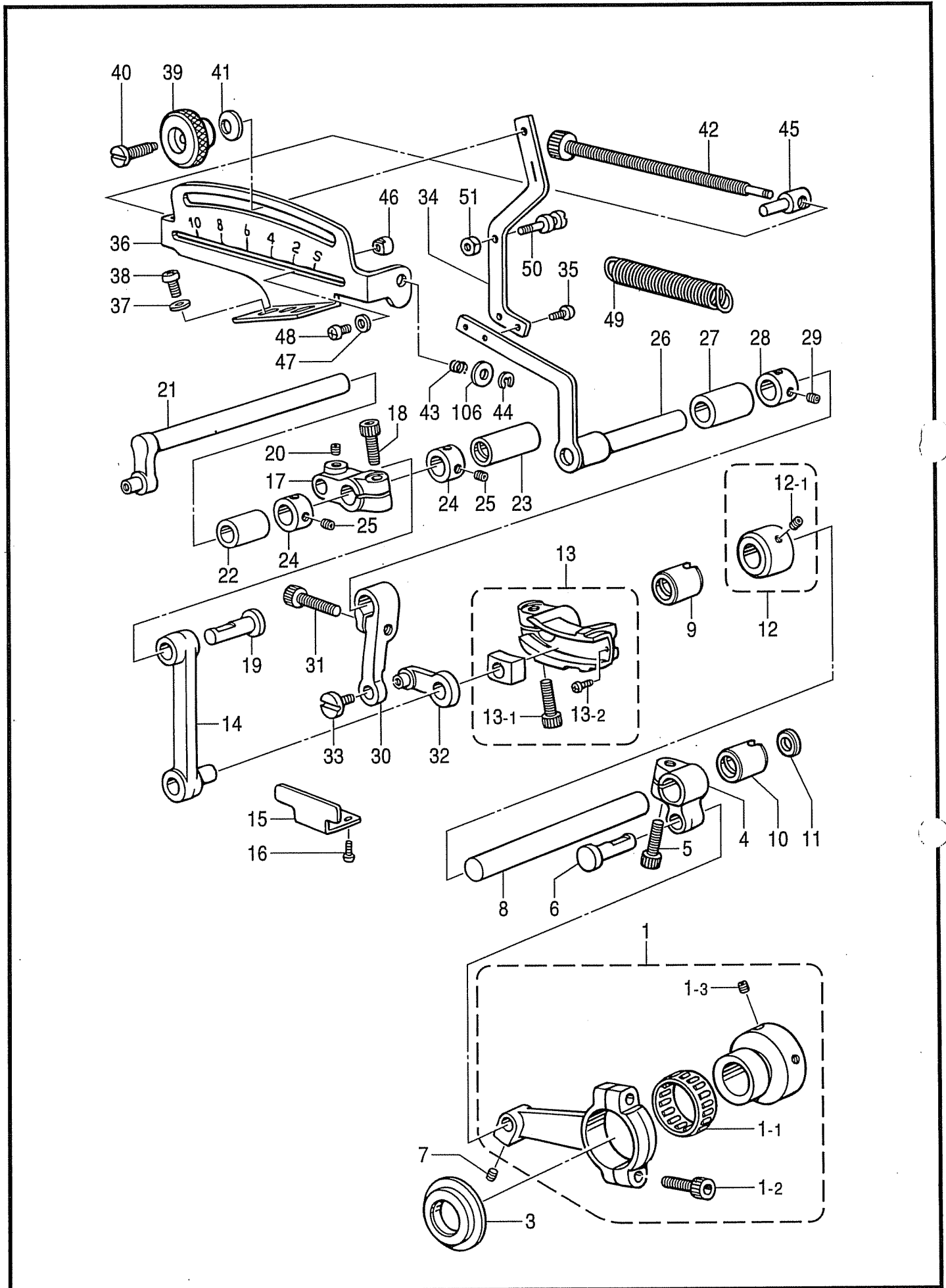
E. 送り関係 / Feed mechanism



E. 送り関係 / Feed mechanism

| REF.NO. | CODE | Q'TY | ヒンメイ | NAME OF PARTS | RM |
|---------|-----------|------|---------------|-----------------------------------|----|
| 54 | S39593021 | 1 | サドウチヨウセツレバークミ | DIFF. FEED ADJUST LEVER ASSY | |
| 54-1 | S39596021 | 1 | マルナツト6 | NUT, ROUND M6 | |
| 55 | S20547001 | 1 | レバーバネ | SPRING | |
| 56 | 081005670 | 1 | OリングPW5 | O RING, PW5 | |
| 57 | 047502542 | 1 | スプリングピンAW5 | PIN, SPRING ROLL AW5 | |
| 58 | S20554001 | 1 | サドウリヨウメモリイタ | DIFFERENTIAL STITCH CONTROL PLATE | |
| 59 | S20548001 | 2 | カラー | COLLAR | |
| 60 | 018061632 | 2 | アナボルト6X16 | BOLT, SOCKET M6X16 | |
| 61 | S25818051 | 2 | チヨウセツレバーストツバ | STOPPER FOR ADJUST LEVER | |
| 62 | 060350812 | 2 | バインド35X8 | SCREW, BIND M3.5X8 | |
| 63 | 025350332 | 2 | ヒラザガネダイ3.5 | WASHER, PLAIN L 3.5 | |
| 64 | S39694021 | 1 | セツトネジツマミ | SET SCREW KNOB | |
| 65 | S39695001 | 1 | セツトネジ | SET SCREW | |
| 66 | S20560001 | 1 | サラバネザガネ | SPRING WASHER | |
| 67 | S20561001 | 1 | マイクロチヨウセツネジ | MICRO ADJUST SCREW | |
| 68 | S46895001 | 1 | マイクロチヨウセツストツバ | STOPPER, MICRO ADJUST. | |
| 69 | S29094001 | 1 | マイクロチヨウセツネジバネ | MICRO ADJUST SPRING | |
| 70 | 048040342 | 1 | トメワE4 | RETAINING RING, E4 | |
| 71 | S23628051 | 1 | シユオクリバトリツケダイ | FEED DOG SETTING BASE | |
| 72 | S23621101 | 1 | ボルト35X8 | BOLT, M3.5X8 | |
| 73 | S23612051 | 1 | セツトカラークミ | SET SCREW COLLAR ASSY | |
| 73-1 | 012060632 | 2 | アナヒラ6X6 | SET SCREW, SOCKET (FT) M6X6 | |
| 75 | ※ | 1 | シユオクリバクミ | MAIN FEED DOG ASSY | |
| 75-1 | 060630712 | 1 | バインド238-56X7 | SCREW, BIND SM2.38-56X7 | |
| 76 | S23621101 | 1 | ボルト35X8 | BOLT, M3.5X8 | |
| 77 | ※ | 1 | サドウオクリバ | DIFFERENTIAL FEED DOG | |
| 78 | S23621101 | 1 | ボルト35X8 | BOLT, M3.5X8 | |
| 81 | S21091000 | 1 | ヘンシンリンカバークミ | ECCENTRIC WHEEL COVER ASSY | |
| 81-1 | S21092000 | 1 | カバースポンジ | COVER SPONGE | |
| 82 | S23616101 | 2 | シメネジ4X10 | SCREW, M4X10 | |
| 83 | S20527001 | 1 | アブラキリイタ | OIL REJECTOR PLATE | |
| 84 | S23453001 | 2 | ナベコ3X5シール | SCREW 3X5 SEAL | |

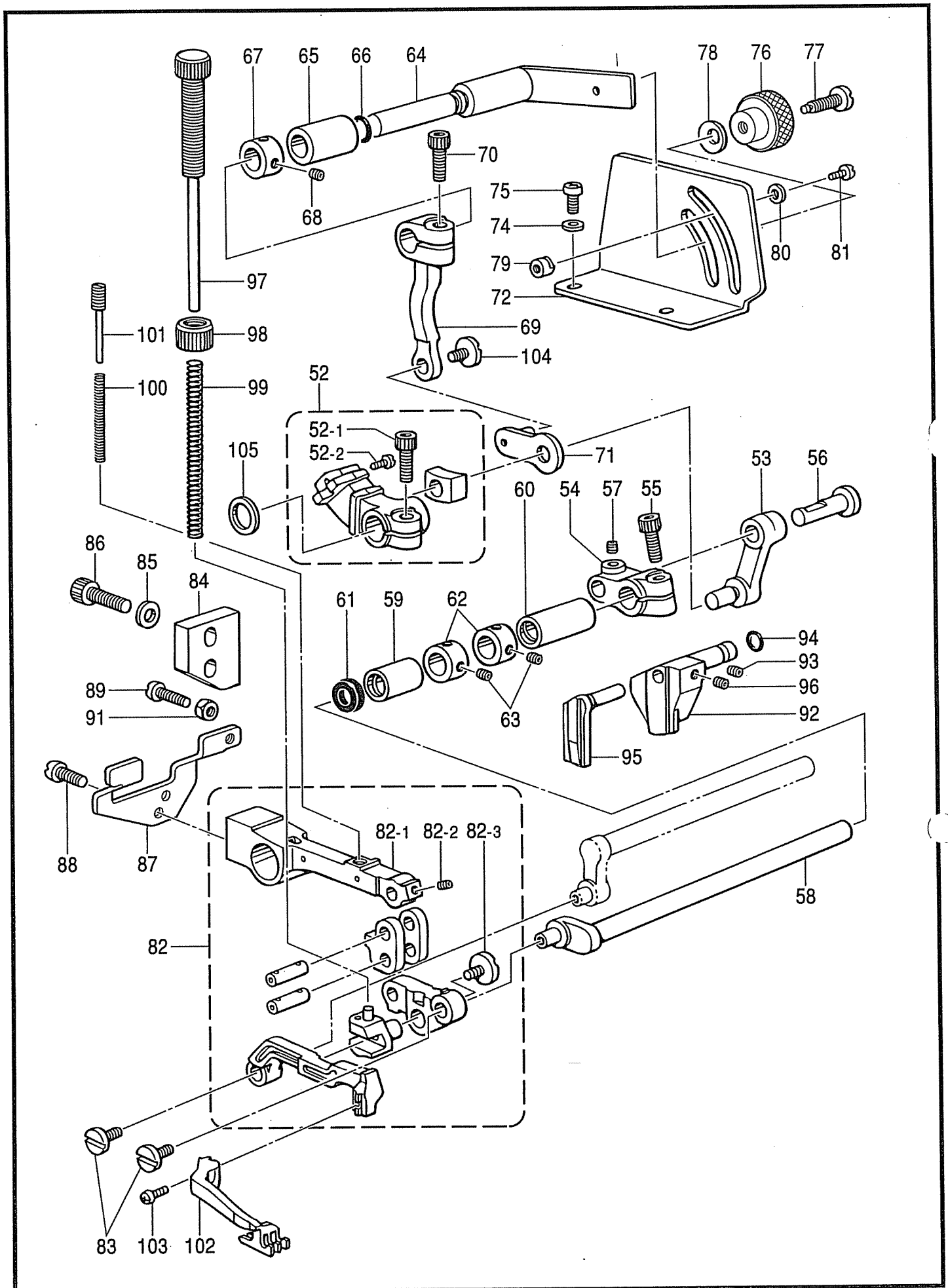
F. 上送り関係 / Upper feed mechanism



F. 上送り関係 / Upper feed mechanism

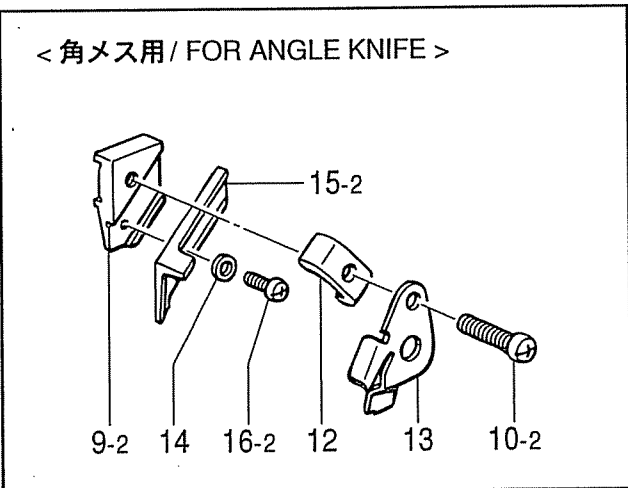
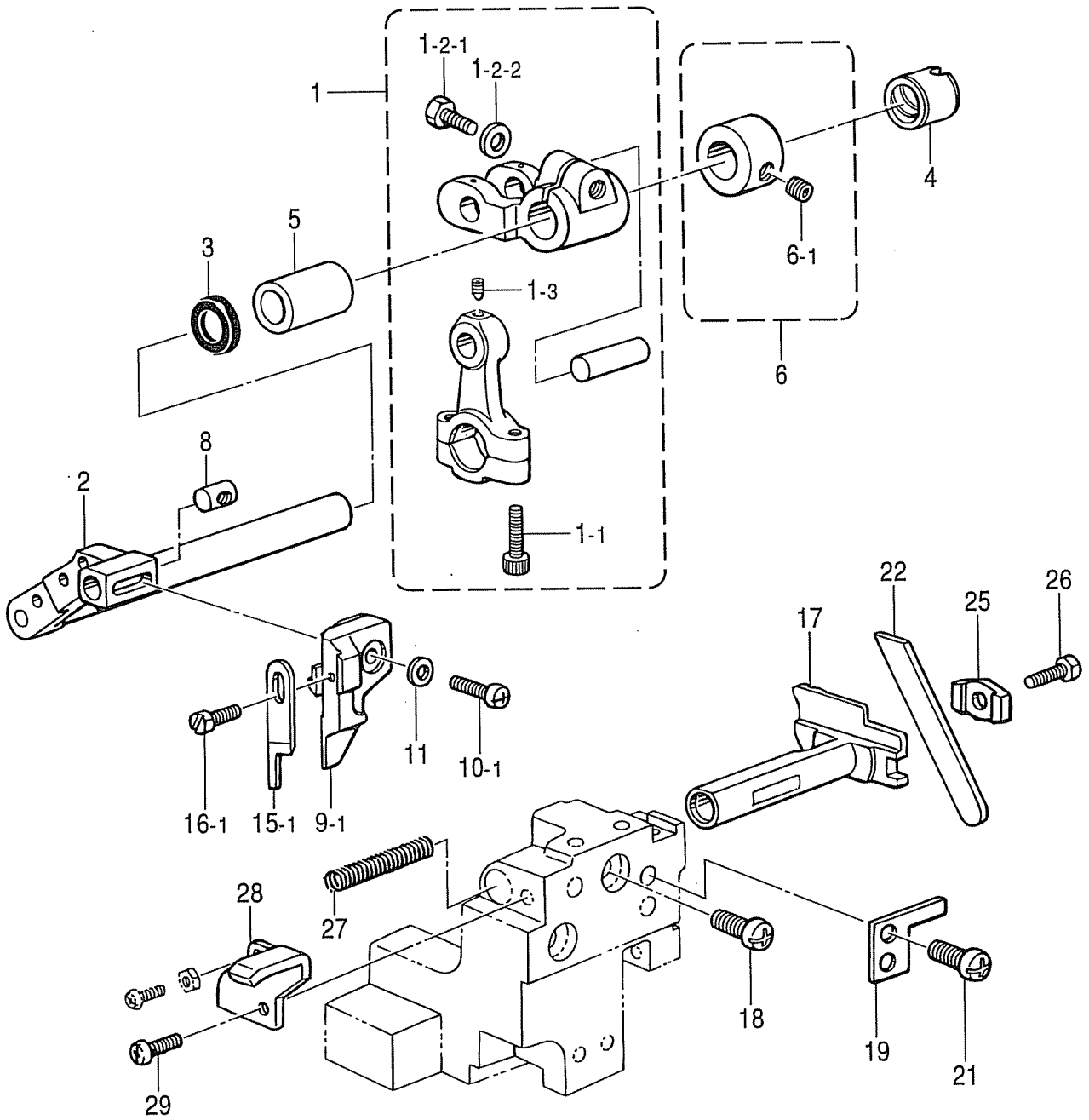
| REF.NO. | CODE | Q'TY | ヒンメイ | NAME OF PARTS | RM |
|---------|-----------|------|-----------------|-------------------------------|----|
| 1 | S20139101 | 1 | スイハイオクリヘンシンリンクミ | ECCENTRIC WHEEL ASSY, W/SCREW | |
| 1-1 | S20500001 | 1 | ニードルジクウケ24 (赤) | NEEDLE BEARING, 24 RED | |
| 1-1 | S20500002 | 1 | ニードルジクウケ24 (青) | NEEDLE BEARING, 24 BLUE | |
| 1-1 | S20500003 | 1 | ニードルジクウケ24 (白) | NEEDLE BEARING, 24 WHITE | |
| 1-2 | 018401622 | 2 | アナボルト4X16 | BOLT, SOCKET M4X16 | |
| 1-3 | 012060632 | 2 | アナヒラ6X6 | SET SCREW, SOCKET (FT) M6X6 | |
| 3 | S20144000 | 1 | オクリロツドササエ | FEED ROD SUPPORT | |
| 4 | S20145001 | 1 | オクリウデ | FEED ARM | |
| 5 | S20175101 | 1 | アナホルト6X16ホソメ | BOLT, SOCKET M6X16 | |
| 6 | 146532001 | 1 | オクリロツドピン | PIN | |
| 7 | 012060632 | 1 | アナヒラ6X6 | SET SCREW, SOCKET (FT) M6X6 | |
| 8 | S20146001 | 1 | オクリジク | FEED SHAFT | |
| 9 | S39728021 | 1 | メタル11.11-18 | BUSH, 11.11-18 | |
| 10 | S39677021 | 1 | メタル11.11-17 | BUSH, 11.11-17 | |
| 11 | S28044009 | 1 | ゴムセン20.8 | RUBBER CAP, 20.8 | |
| 12 | S23619001 | 1 | セツトカラークミ | SET SCREW COLLAR ASSY | |
| 12-1 | 012060632 | 2 | アナヒラ6X6 | SET SCREW, SOCKET (FT) M6X6 | |
| 13 | S20147001 | 1 | スイハイチヨウセツウテコマクミ | L-FEED ADJUST. ARM BLOCK ASSY | |
| 13-1 | S20175101 | 1 | アナホルト6X16ホソメ | BOLT, SOCKET M6X16 | |
| 13-2 | S20158101 | 2 | ナベコ25X3 | SCREW, PAN M2.5X3 | |
| 14 | S20152001 | 1 | スイハイオクリリンク | FEED ROCK LINK | |
| 15 | S20151001 | 1 | スイハイオクリリンクオサエ | FEED ROCK LINK SUPPORT | |
| 16 | 062300512 | 2 | ナベコ3X5 | SCREW, PAN M3X5 | |
| 17 | S20153001 | 1 | オクリウデ | FEED ARM | |
| 18 | S20175101 | 1 | アナホルト6X16ホソメ | BOLT, SOCKET M6X16 | |
| 19 | 146532001 | 1 | オクリロツドピン | PIN | |
| 20 | 012060632 | 1 | アナヒラ6X6 | SET SCREW, SOCKET (FT) M6X6 | |
| 21 | S20154001 | 1 | スイハイクランクジク | LEVEL FEED CRANK SHAFT | |
| 22 | S47031000 | 1 | クランクジクメタルL | CRANKSHAFT BUSHING, L | |
| 23 | S20156000 | 1 | クランクジクメタルR | CRANKSHAFT BUSH, R | |
| 24 | S20197001 | 2 | セツトカラー | SET SCREW COLLAR | |
| 25 | 012400432 | 4 | アナヒラ4X4 | SET SCREW, SOCKET (FT) M4X4 | |
| 26 | S20157001 | 1 | スイハイチヨウセツレバジク | L-FEED ADJUSTING LEVER SHAFT | |
| 27 | S20546001 | 1 | チヨウセツレバーメタル | BUSHING, FEED ADJUSTING LEVER | |
| 28 | S20197001 | 1 | セツトカラー | SET SCREW COLLAR | |
| 29 | 012400432 | 2 | アナヒラ4X4 | SET SCREW, SOCKET (FT) M4X4 | |
| 30 | S20159001 | 1 | スイハイチヨウセツレバー | LEVEL FEED ADJUSTING LEVER | |
| 31 | 018061632 | 1 | アナボルト6X16 | BOLT, SOCKET M6X16 | |
| 32 | S20160001 | 1 | オクリチヨウセツリンク | FEED ADJUSTING LINK | |
| 33 | S20189001 | 1 | シメネジ3.5 | SCREW, M3.5 | |
| 34 | S20161101 | 1 | オクリチヨウセツイタ | FEED ADJUSTING PLATE | |
| 35 | 062350612 | 2 | ナベコM3.5X6 | SCREW, PAN M3.5X6 | |
| 36 | S20162001 | 1 | スイハイメモリアタ | L-FEED LENGTH CONTROL PLATE | |
| 37 | 025060236 | 2 | ヒラザガネチユウ6 | WASHER, PLAIN M 6 | |
| 38 | 062061012 | 2 | ナベコ6X10 | SCREW, PAN M6X10 | |
| 39 | S39694021 | 1 | セツトネジツマミ | KNOB, SCREW | |
| 40 | S39695001 | 1 | セツトネジ | SET SCREW | |
| 41 | S20560001 | 1 | サラバネザガネ | WASHER, FLAT SPRING | |
| 42 | S20163001 | 1 | マイクロチヨウセツネジ | MICRO ADJUSTING SCREW | |
| 43 | S29132001 | 1 | マイクロチヨウセツバネ | SPRING, MICRO ADJUSTING | |
| 44 | 048040342 | 1 | トメワE4 | RETAINING RING, E4 | |
| 45 | S20165001 | 1 | マイクロチヨウセツストツパ | MICRO ADJUST STOPPER | |
| 46 | S25818051 | 1 | チヨウセツレバーストツパ | STOPPER, ADJUSTING LEVER | |
| 47 | 105161004 | 1 | ザガネ | WASHER | |
| 48 | 062350612 | 1 | ナベコM3.5X6 | SCREW, PAN M3.5X6 | |
| 49 | 151951001 | 1 | クドーレバーヒキバネ | SPRING | |
| 50 | S20184101 | 1 | バネカケ | SPRING HOOK | |
| 51 | 021350106 | 1 | 1シユナツト35 | NUT, 1 M3.5 | |
| 106 | 025710132 | 1 | ヒラザガネシヨウ4.76 | WASHER, PLAIN S 4.76 | |

F. 上送り関係 / Upper feed mechanism



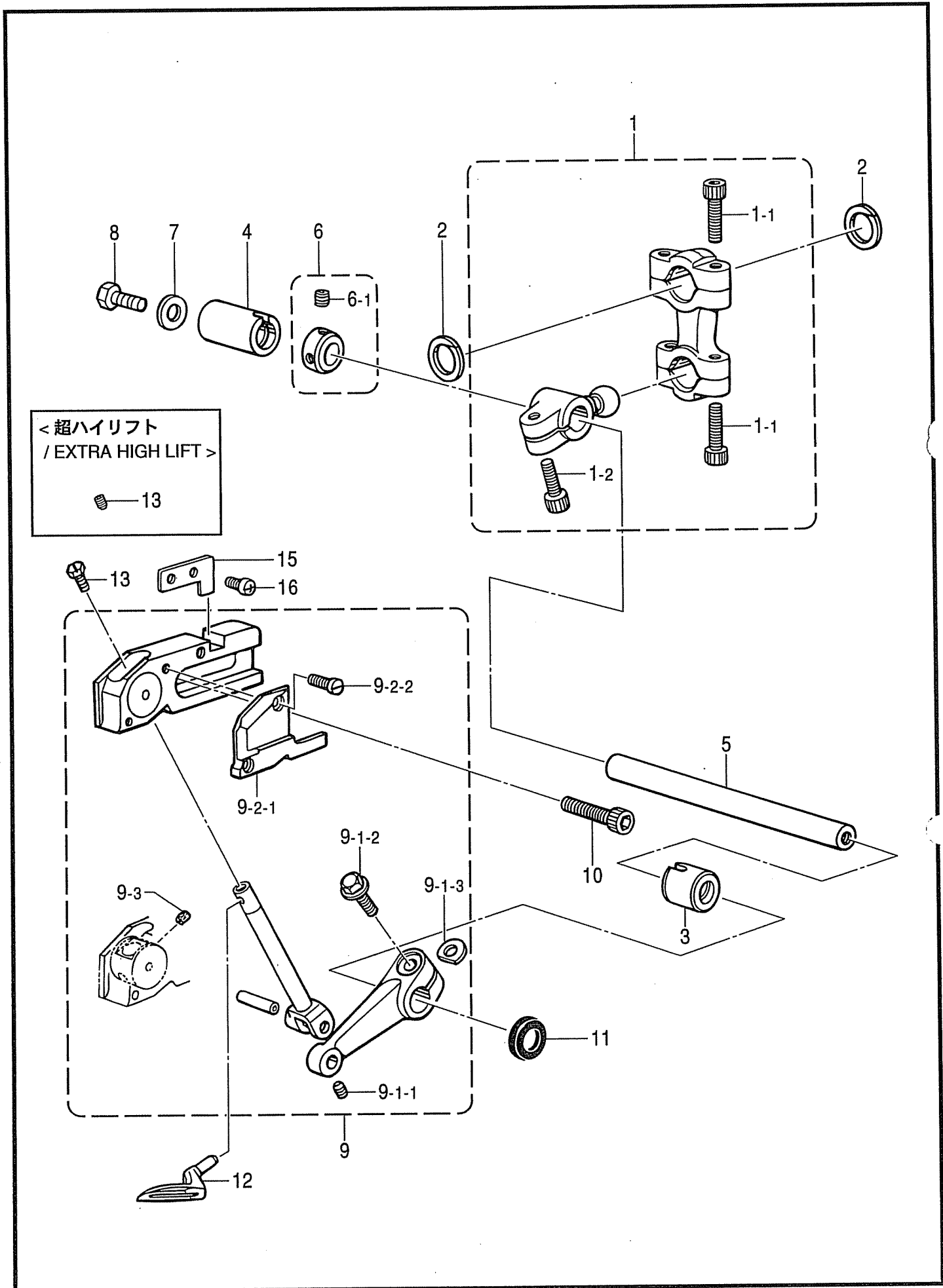
F. 上送り関係 / Upper feed mechanism

| REF.NO. | CODE | Q'TY | ヒンメイ | NAME OF PARTS | RM |
|---------|-----------|------|---------------|-------------------------------|----|
| 52 | S20168001 | 1 | チヨウセツウデコマクミ | V-FEED ADJUST. ARM BLOCK ASSY | |
| 52-1 | S20175101 | 1 | アナホルト6X16ホソメ | BOLT, SOCKET M6X16 | |
| 52-2 | S20158101 | 2 | ナベコ25X3 | SCREW, PAN M2.5X3 | |
| 53 | S20172001 | 1 | ジヨウゲオクリリンク | FEED LIFTING LINK | |
| 54 | S20153001 | 1 | オクリウデ | FEED ARM | |
| 55 | S20175101 | 1 | アナホルト6X16ホソメ | BOLT, SOCKET M6X16 | |
| 56 | 146532001 | 1 | オクリロツドピン | PIN | |
| 57 | 012060632 | 1 | アナヒラ6X6 | SET SCREW, SOCKET (FT) M6X6 | |
| 58 | S20174001 | 1 | ジヨウゲクランクジク | FEED LIFTING CRANK SHAFT | |
| 59 | S20155000 | 1 | クランクジクメタルL | CRANKSHAFT BUSH, L | |
| 60 | S20156000 | 1 | クランクジクメタルR | CRANKSHAFT BUSH, R | |
| 61 | 155539000 | 1 | ダストシール | DUST SEAL | |
| 62 | S20197001 | 2 | セツトカラー | SET SCREW COLLAR | |
| 63 | 012400432 | 4 | アナヒラ4X4 | SET SCREW, SOCKET (FT) M4X4 | |
| 64 | S20176001 | 1 | ULチヨウセツレバージグ | ADJUSTING LEVER SHAFT, UL | |
| 65 | S20546001 | 1 | チヨウセツレバーメタル | BUSHING, FEED ADJUSTING LEVER | |
| 66 | 081005670 | 1 | OリングPW5 | O RING, PW5 | |
| 67 | S20197001 | 1 | セツトカラー | SET SCREW COLLAR | |
| 68 | 012400432 | 2 | アナヒラ4X4 | SET SCREW, SOCKET (FT) M4X4 | |
| 69 | S20177001 | 1 | ジヨウゲチヨウセツレバー | VERTICAL FEED ADJUSTING LEVER | |
| 70 | 018061632 | 1 | アナホルト6X16 | BOLT, SOCKET M6X16 | |
| 71 | S20160001 | 1 | オクリチヨウセツリンク | FEED ADJUSTING LINK | |
| 72 | S20179001 | 1 | ジヨウゲメモリアイタ | V-FEED LENGTH CONTROL PLATE | |
| 74 | 102707002 | 2 | ザガネ | WASHER, PLAIN 4 | |
| 75 | 060400812 | 2 | バインドM4X8 | SCREW, BIND M4X8 | |
| 76 | S39694021 | 1 | セツトネジツマミ | KNOB, SCREW | |
| 77 | S39695001 | 1 | セツトネジ | SET SCREW | |
| 78 | S20560001 | 1 | サラバネザガネ | WASHER, FLAT SPRING | |
| 79 | S25818051 | 2 | チヨウセツレバーストツバ | STOPPER, ADJUSTING LEVER | |
| 80 | 105161004 | 2 | ザガネ | WASHER | |
| 81 | 062350612 | 2 | ナベコM3.5X6 | SCREW, PAN M3.5X6 | |
| 82 | S20181001 | 1 | ウワオクリダイクミ | UPPER FEED BRACKET ASSY | |
| 82-1 | S20182001 | 1 | ウワオクリササエダイ | UPPER FEED SUPPORT BAR | |
| 82-2 | 012400432 | 2 | アナヒラ4X4 | SET SCREW, SOCKET (FT) M4X4 | |
| 82-3 | S20191001 | 1 | シメネジ4 | SCREW, M4 | |
| 83 | S20189001 | 2 | シメネジ3.5 | SCREW, M3.5 | |
| 84 | S20183001 | 1 | ウワオクリクツシヨンドダイ | UPPER FEED CUSHION BRACKET | |
| 85 | 025060236 | 2 | ヒラザガネチユウ6 | WASHER, PLAIN M 6 | |
| 86 | 018061632 | 2 | アナホルト6X16 | BOLT, SOCKET M6X16 | |
| 87 | S46844001 | 1 | ウワオクリアゲ | UPPER FEED LIFTER | |
| 88 | 062501212 | 2 | ナベコ5X12 | SCREW, PAN M5X12 | |
| 89 | 060401412 | 1 | バインドM4X14 | SCREW, BIND M4X14 | |
| 91 | 021400202 | 1 | 2シユナツト4 | NUT, 2 M4 | |
| 92 | S20193001 | 1 | ウワオクリダイアンナイR | UPPER FEED BAR GUIDE, R | |
| 93 | 012060632 | 1 | アナヒラ6X6 | SET SCREW, SOCKET (FT) M6X6 | |
| 94 | 081005070 | 1 | OリングP5 | O RING, P5 | |
| 95 | S20194001 | 1 | ウワオクリダイアンナイL | UPPER FEED BAR GUIDE, L | |
| 96 | 012400632 | 1 | アナヒラ4X6 | SET SCREW, SOCKET (FT) M4X6 | |
| 97 | S20195001 | 1 | オサエチヨウセツネジ | ADJUSTING SCREW | |
| 98 | S23341009 | 1 | チヨウセツネジツマミナツト | NUT | |
| 99 | S00204001 | 1 | ウエオクリオサエバネ | SPRING | |
| 100 | S20202001 | 1 | ウワオクリササエダイバネ | SPRING | |
| 101 | S20201001 | 1 | ササエダイバネアンナイ | SPRING GUIDE | |
| 102 | ※ | 1 | ウワオクリバ | UPPER FEED DOG | |
| 103 | S23621101 | 1 | ボルト35X8 | BOLT, M3.5X8 | |
| 104 | S20189001 | 1 | シメネジ3.5 | SCREW, M3.5 | |
| 105 | S20621001 | 1 | カラー | COLLAR | |



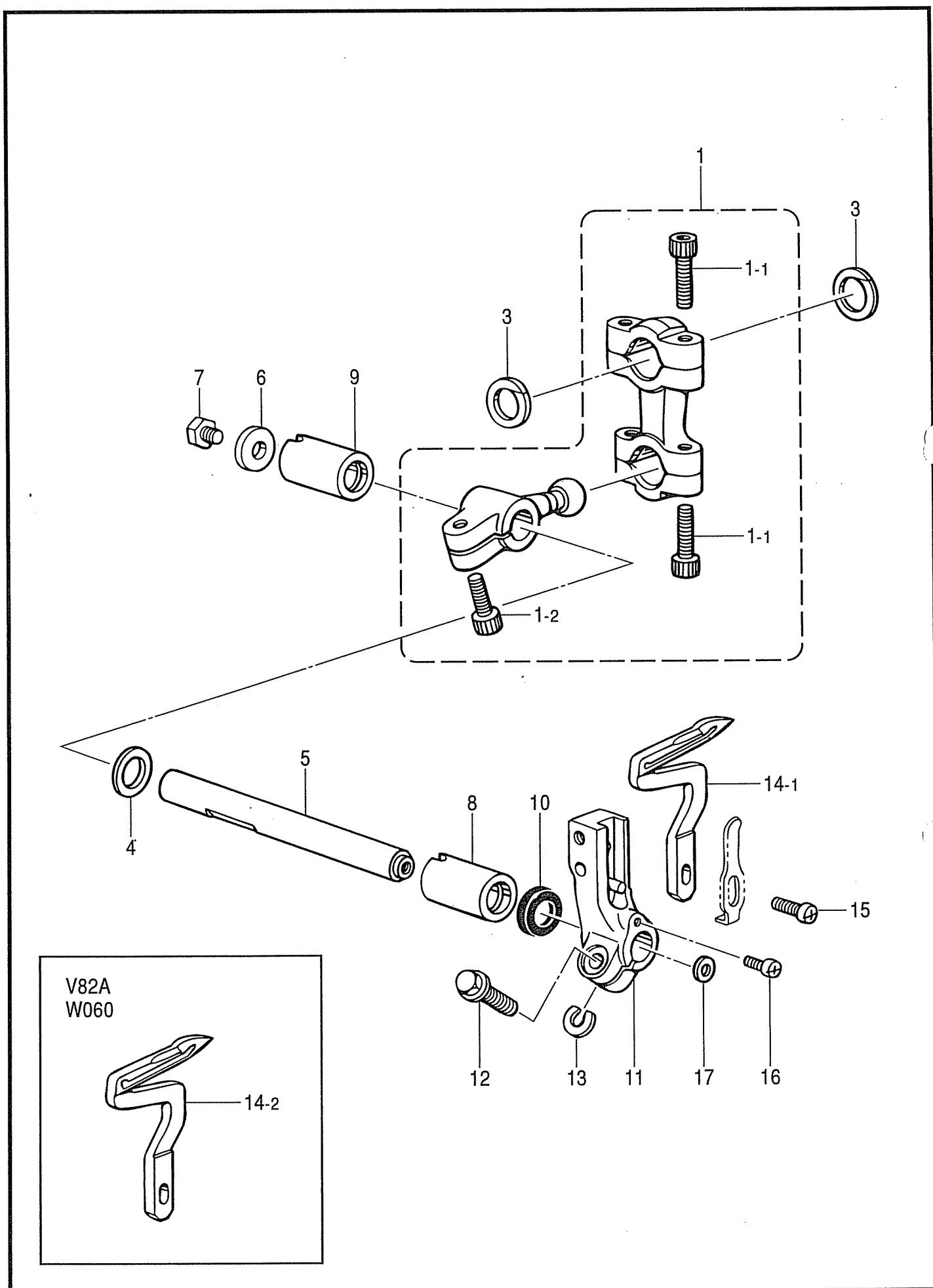
G. 上メス・下メス関係 / Knife mechanism

| REF.NO. | CODE | Q'TY | ヒンメイ | NAME OF PARTS | RM |
|------------|-----------|------|----------------|-------------------------------|----|
| 1 | S46933001 | 1 | ウワメスクランクロッドクミO | UPPER KNIFE CRANK ROD ASSY, O | |
| 1-1 | 018401622 | 2 | アナボルト4X16 | BOLT, SOCKET M4X16 | |
| 1-2-1 | 017061612 | 1 | ボルト6X16 | BOLT, M6X16 | |
| 1-2-2 | 118735002 | 1 | ザガネ | WASHER | |
| 1-3 | S23342001 | 1 | アナトガリ4X5 | SET SCREW, SOCKET (CN) M4X5 | |
| 2 | S20571101 | 1 | ウワメスサドウウデ | UPPER KNIFE DIFFERENTIAL ARM | |
| 3 | 155247000 | 1 | ダストシール | DUST SEAL | |
| 4 | S39704021 | 1 | ウワメスメタルL | UPPER KNIFE BUSH L | |
| 5 | S39677021 | 1 | メタル11.11-17 | BUSH, 11.11-17 | |
| 6 | S23619001 | 1 | セツトカラークミ | SET SCREW COLLAR ASSY | |
| 6-1 | 012060632 | 2 | アナヒラ6X6 | SET SCREW, SOCKET (FT) M6X6 | |
| 8 | S20574001 | 1 | ウワメスダキナツト | NUT | |
| 17 | S20580101 | 1 | シタメストリツケダイ | LOWER KNIFE HOLDER | |
| 18 | 062060812 | 1 | ナベコ6X8 | SCREW, PAN M6X8 | |
| 19 | S39707001 | 1 | シタメストリツケダイアンナイ | LOWER KNIFE HOLDER GUIDE | |
| 21 | 062060812 | 2 | ナベコ6X8 | SCREW, PAN M6X8 | |
| 22 | S20582001 | 1 | シタメス<T1.5> | LOWER KNIFE<T1.5> | |
| 25 | S39708001 | 1 | シタメスオサエ | LOWER KNIFE PRESSER | |
| 26 | 017500812 | 1 | ボルト5X8 | BOLT, M5X8 | |
| 27 | S20585001 | 1 | シタメストリツケダイバネ | SPRING | |
| 28 | S39709021 | 1 | シタメスバネウケ | SPRING HOLDER | |
| 29 | 060400812 | 1 | バインドM4X8 | SCREW, BIND M4X8 | |
| <平メス用部品> | | | | | |
| 9-1 | S20575001 | 1 | ウワメスダキ | UPPER KNIFE HOLDER | |
| 10-1 | 062401212 | 1 | ナベコ4X12 | SCREW, PAN M4X12 | |
| 11 | 025040132 | 1 | ヒラザガネシヨウ4 | WASHER, PLAIN S 4 | |
| 15-1 | 144074350 | 1 | ウワメス | UPPER KNIFE | |
| 16-1 | S23621101 | 1 | ボルト35X8 | BOLT, M3.5X8 | |
| <角メス用部品> | | | | | |
| 9-2 | S20576001 | 1 | ウワメスダキ | UPPER KNIFE HOLDER | |
| 10-2 | 062401612 | 1 | ナベコM4X16 | SCREW, PAN M4X16 | |
| 12 | S20577001 | 1 | ウワメスオサエ | UPPER KNIFE PRESSER | |
| 13 | S20578101 | 1 | ウワメスオサエイタ | UPPER KNIFE PRESSER PLATE | |
| 14 | 025030132 | 1 | ヒラザガネシヨウ3 | WASHER, PLAIN S 3 | |
| 15-2 | S20897101 | 1 | カクメス 幅狭 波刃 | ANGLE KNIFE, NARROW WAVE EDGE | |
| 16-2 | 062300412 | 1 | ナベコ3X4 | SCREW, PAN M3X4 | |
| <オプションパーツ> | | | | | |
| 15-2 | S20896101 | 1 | カクメス 幅狭 | ANGLE KNIFE, NARROW | |
| 15-2 | S20579101 | 1 | カクメス 幅広 | ANGLE KNIFE, WIDE | |
| 15-2 | S20898101 | 1 | カクメス 幅広 波刃 | ANGLE KNIFE, WIDE WAVE EDGE | |



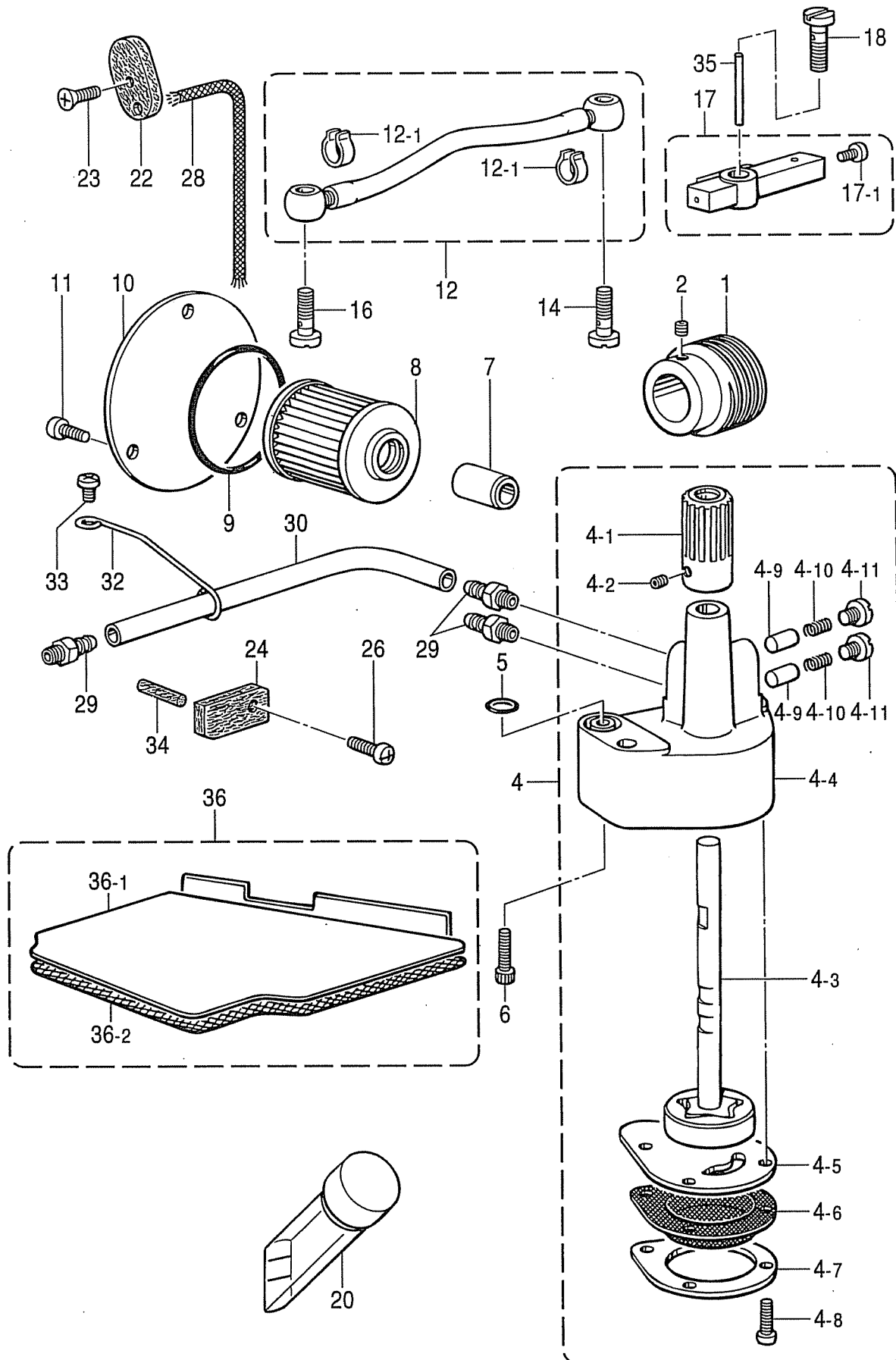
H. 上ルーパ関係 / Over looper mechanism

| REF.NO. | CODE | Q'TY | 品名 | NAME OF PARTS | RM |
|-----------|-----------|------|---------------|--------------------------------|----|
| 1 | S46940001 | 1 | ウワルーハロツドクミHE | OVER LOOPER ROD ASSY, HE | |
| 1-1 | 018401622 | 4 | アナボルト4X16 | BOLT, SOCKET M4X16 | |
| 1-2 | S23346101 | 1 | アナボルト6X14ホソメ | BOLT, SOCKET M6X14 | |
| 2 | S20598000 | 2 | ロツドフレドメ | ROD STOPPER | |
| 3 | S39728021 | 1 | メタル11.11-18 | BUSH, 11.11-18 | |
| 4 | S39677021 | 1 | メタル11.11-17 | BUSH, 11.11-17 | |
| 5 | S20601001 | 1 | ウワルーハジク | OVER LOOPER SHAFT | |
| 6 | S23619001 | 1 | セツトカラークミ | SET SCREW COLLAR ASSY | |
| 6-1 | 012060632 | 2 | アナヒラ6X6 | SET SCREW, SOCKET (FT) M6X6 | |
| 7 | S23626001 | 1 | ザガネ | WASHER | |
| 8 | 017060812 | 1 | ボルト6X8 | BOLT, M6X8 | |
| <ハイリフト用> | | | | <FOR HIGH LIFT> | |
| 9 | S46896001 | 1 | ウワルーハキコウクミSH | OVER LOOPER MECHANISM ASSY, SH | |
| 13 | S46903001 | 1 | アタマツキトメネジ4X5 | SET SCREW, M4X5 | |
| <超ハイリフト用> | | | | <FOR EXTRA HIGH LIFT> | |
| 9 | S46901001 | 1 | ウワルーハキコウクミE | OVER LOOPER MECHANISM ASSY, E | |
| 13 | 012400432 | 1 | アナヒラ4X4 | SET SCREW, SOCKET (FT) M4X4 | |
| 9-1-1 | S23342001 | 1 | アチトガリ4X5 | SET SCREW, SOCKET (CN) M4X5 | |
| 9-1-2 | S46899001 | 1 | ザガネツキボルト6X16 | BOLT, (S/P WASHER) M6X16 | |
| 9-1-3 | 155162001 | 1 | スヘーサ | SPACER | |
| 9-2-1 | S38320100 | 1 | ウワルーパアンナイオサエ | OVER LOOPER GUIDE HOLDER | |
| 9-2-2 | S20355002 | 2 | シメネジ3X8.5 | SCREW, M3X8.5 | |
| 9-3 | S29700000 | 2 | ウワルーパアンナイフェルト | OVER LOOPER GUIDE FELT | |
| 10 | 018061432 | 2 | アナボルト6X14 | BOLT, SOCKET M6X14 | |
| 11 | 155247000 | 1 | ダストシール | DUST SEAL | |
| 12 | ※ | 1 | ウワルーパ | OVER LOOPER | |
| 15 | S23611101 | 1 | アンナイメタルイチギメイタ | POTISIONING PLATE, GUIDE BUSH | |
| 16 | 060400612 | 2 | バインドM4X6 | SCREW, BIND M4X6 | |



J. 下ルーパ関係 / Under looper mechanism

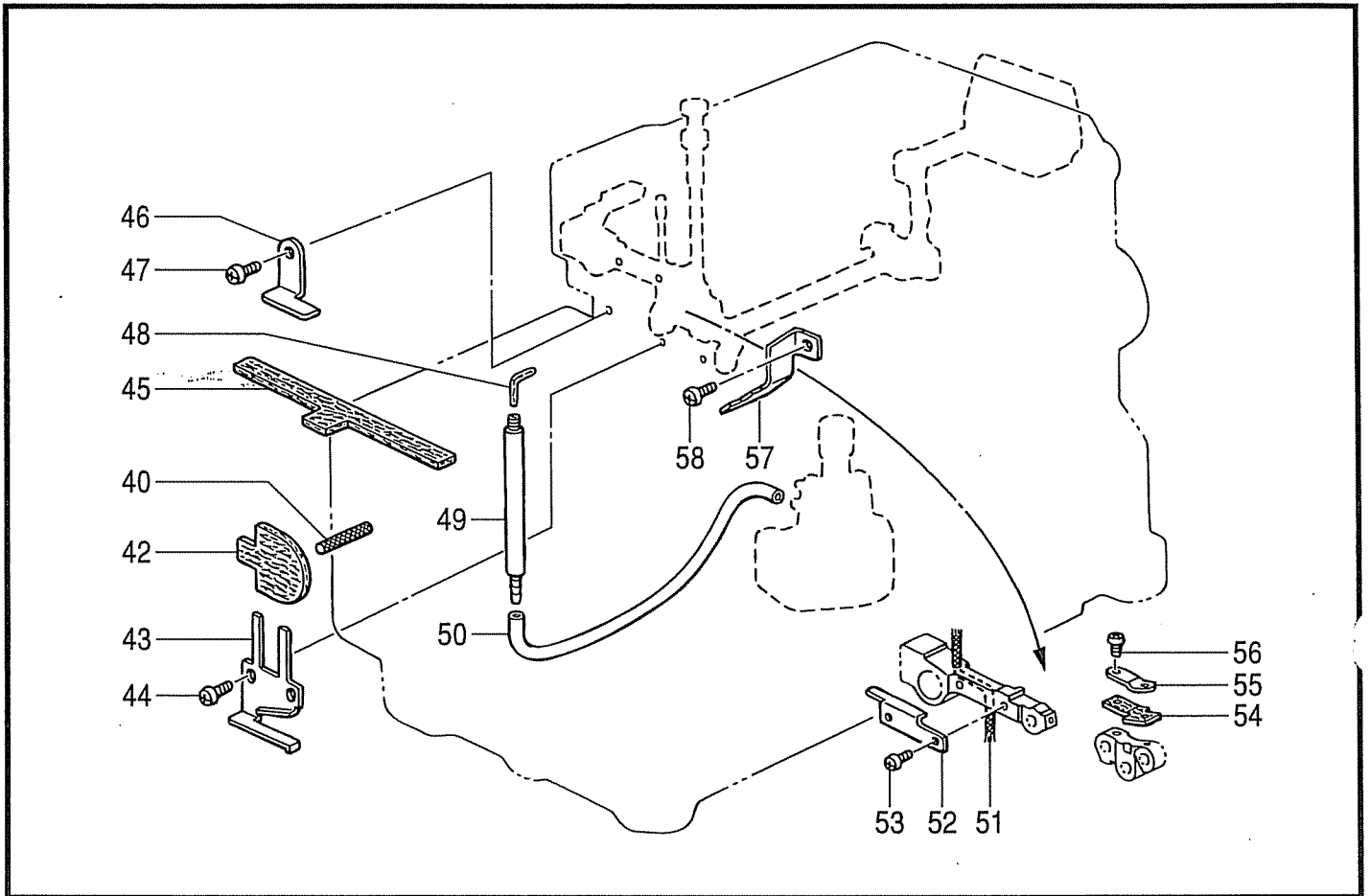
| REF.NO. | CODE | Q'TY | ヒンメイ | NAME OF PARTS | RM |
|---------|-----------|------|----------------------------|-----------------------------------------------------|----|
| 1 | S46941001 | 1 | <ハイリフト用> シタルーパロッドクミ OSH | <FOR HIGH LIFT> UNDER LOOPER ROD ASSY, O-SH | |
| 1 | S46942001 | 1 | <超ハイリフト用> シタルーパロッドクミ OE | <FOR EXTRA HIGH LIFT> UNDER LOOPER ROD ASSY, O-E | |
| 1-1 | 018401622 | 4 | アナボルト 4X16 | BOLT, SOCKET M4X16 | |
| 1-2 | S23346101 | 1 | アナホルト 6X14ホソメ | BOLT, SOCKET M6X14 | |
| 3 | S20598000 | 2 | ロッドフレドメ | ROD STOPPER | |
| 4 | S20621001 | 1 | カラー | COLLAR | |
| 5 | S46904001 | 1 | シタルーパジク | UNDER LOOPER SHAFT | |
| 6 | S23626001 | 1 | ザガネ | WASHER | |
| 7 | 017060812 | 1 | ボルト 6X8 | BOLT, M6X8 | |
| 8 | S39728021 | 1 | メタル 11.11-18 | BUSH, 11.11-18 | |
| 9 | S39677021 | 1 | メタル 11.11-17 | BUSH, 11.11-17 | |
| 10 | 155247000 | 1 | ダストシール | DUST SEAL | |
| 11 | S20625151 | 1 | シタルーパトリツケダイ | UNDER LOOPER HOLDER | |
| 12 | S23614101 | 1 | フランジボルト 5X14 | BOLT, M5X14 | |
| 13 | 148782001 | 1 | スペーサ | SPACER | |
| 14-1 | S20627001 | 1 | シタルーパ <V82A-W060> | UNDER LOOPER | |
| 14-2 | S40866001 | 1 | シタルーパ | UNDER LOOPER | |
| 15 | 060351012 | 1 | バインド 3.5X10 | SCREW, BIND M3.5X10 | |
| 16 | 060350812 | 1 | バインド 3.5X8 | SCREW, BIND M3.5X8 | |
| 17 | 158722002 | 1 | ザガネ 4.2 | WASHER, PLAIN 4.2 | |



L. 給油潤滑関係 / Lubrication

| REF.NO. | CODE | Q'TY | ヒンメイ | NAME OF PARTS | RM |
|---------|-----------|------|-------------|-----------------------------|----|
| 1 | S20655101 | 1 | ウオーム | WORM | |
| 2 | 012500532 | 2 | アナヒラ5X5 | SET SCREW, SOCKET (FT) M5X5 | |
| 4 | S20300101 | 1 | トロコイドポンプクミ | PUMP ASSY | |
| 4-1 | S20657001 | 1 | ウオームホイール | WORM WHEEL | |
| 4-2 | 012400536 | 2 | アナヒラ4X5 | SET SCREW, SOCKET (FT) M4X5 | |
| 4-3 | S20301001 | 1 | ポンフロータークミ | PUMP INNER ROTER ASSY | |
| 4-4 | S20303000 | 1 | ポンプケース | PUMP CASE | |
| 4-5 | S20661001 | 1 | ポンプタイフタ | PUMP BODY COVER | |
| 4-6 | S20662100 | 1 | ロカモウ | OIL FILTER | |
| 4-7 | S20663000 | 1 | ロカモウオサエ | FILTER SUPPORT | |
| 4-8 | 062351016 | 4 | ナベコ3.5X10 | SCREW, PAN M3.5X10 | |
| 4-9 | 144875001 | 2 | プランジャー | PLUNGER | |
| 4-10 | 144876001 | 2 | プランジャーバネ | SPRING | |
| 4-11 | S23460001 | 2 | ナベコ6X5 | SCREW, PAN M6X5 | |
| 5 | 081008070 | 1 | OリングP8 | O RING, P8 | |
| 6 | 018061432 | 2 | アナボルト6X14 | BOLT, SOCKET M6X14 | |
| 7 | S08957001 | 1 | オイルクチ | OIL FEEDING PIPE | |
| 8 | S08956100 | 1 | オイルフィルター | OIL FILTER | |
| 9 | 081044070 | 1 | OリングP44 | O RING, P44 | |
| 10 | S12987002 | 1 | オイルフィルターフタ | CAP, OIL FILTER | |
| 11 | 060400812 | 3 | バインドM4X8 | SCREW, BIND M4X8 | |
| 12 | S46905001 | 1 | ビニルチューブクミ | OIL TUBE ASSY | |
| 12-1 | 147942001 | 2 | ビニルチューブトメガネ | STOP RING | |
| 14 | S20199001 | 1 | ハイユパイプツギテ | OIL PIPE JOINT | |
| 16 | S20199001 | 1 | ハイユパイプツギテ | OIL PIPE JOINT | |
| 17 | S20666001 | 1 | キユウユパイプクミ | OIL PIPE ASSY | |
| 17-1 | 060400512 | 1 | バインドM4X5 | SCREW, BIND M4X5 | |
| 18 | S20199001 | 1 | ハイユパイプツギテ | OIL PIPE JOINT | |
| 20 | 148084001 | 1 | オイルゲージマド | OIL GAUGE WINDOW | |
| 22 | S20668200 | 1 | ハリボウリンクフェルト | NEEDLE BAR LINK FELT | |
| 23 | 061400812 | 1 | サラコM4X8 | SCREW, FLAT M4X8 | |
| 24 | S20669000 | 1 | フェルト | FELT | |
| 26 | 060400812 | 1 | バインドM4X8 | SCREW, BIND M4X8 | |
| 28 | S49337000 | 1 | クミヒモ70 | WICK, L = 70 | |
| 29 | S20180001 | 3 | オイルクチ | OIL FEEDING PIPE | |
| 30 | S20200001 | 1 | ビニルチューブ | OIL TUBE, L = 370 | |
| 32 | S25879001 | 1 | チューブササエ | TUBE SUPPORT | |
| 33 | 060400812 | 1 | バインドM4X8 | SCREW, BIND M4X8 | |
| 34 | S20392000 | 1 | フェルト | FELT | |
| 35 | S25526000 | 1 | ピン | PIN | |
| 36 | S43523000 | 1 | フィルタークミ | FILTER ASSY | |
| 36-1 | S43522000 | 1 | オイルフィルター | OIL FILTER | |
| 36-2 | S43521000 | 1 | ロカモウD | FILTER, D | |

L . 給油潤滑關係 / Lubrication

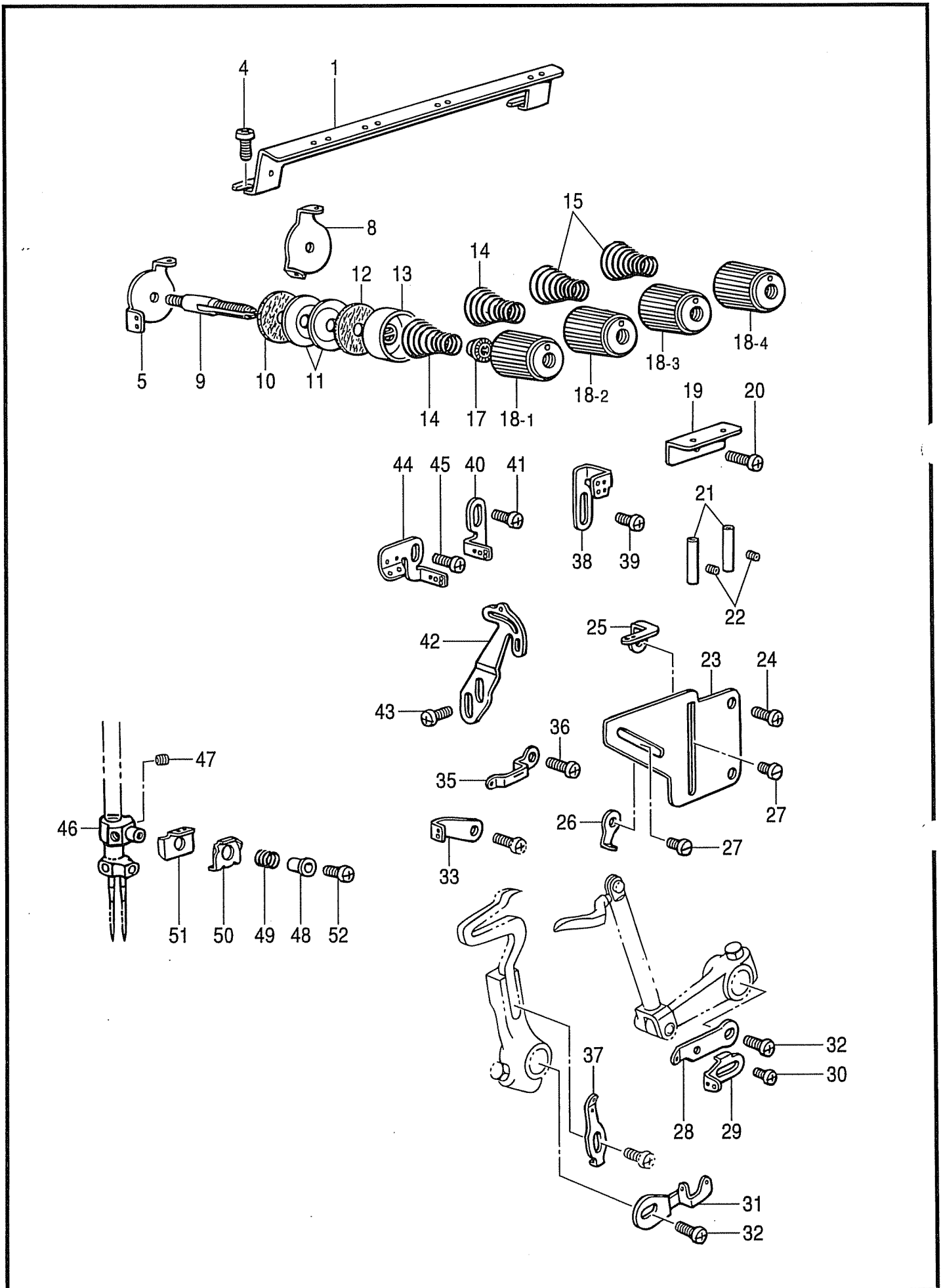


878-V8A,B-350

L. 給油潤滑関係 / Lubrication

| REF.NO. | CODE | Q'TY | ヒンメイ | NAME OF PARTS | RM |
|---------|-----------|------|-----------|--------------------------|----|
| 40 | S20213000 | 1 | クミヒモ | WICK, L = 22 | |
| 42 | S20214000 | 1 | キユウユフエルト | FELT | |
| 43 | S20215001 | 1 | フェルトオサエ | FELT SUPPORT | |
| 44 | 062400612 | 2 | ナベコM4X6 | SCREW, PAN M4X6 | |
| 45 | S20216000 | 1 | カイシユウフエルト | FELT | |
| 46 | S20217001 | 1 | フェルトオサエ | FELT SUPPORT | |
| 47 | 062400612 | 1 | ナベコM4X6 | SCREW, PAN M4X6 | |
| 48 | 147363000 | 1 | フェルト | FELT | |
| 49 | S20218001 | 1 | ハイフツギテ | PIPE JOINT | |
| 50 | S20219001 | 1 | ビニルチューブ | OIL TUBE | |
| 51 | S07463000 | 1 | クミヒモ | WICK, L = 70 | |
| 52 | S20220001 | 1 | オイルヒモアンナイ | WICK GUIDE | |
| 53 | S20158101 | 2 | ナベコ25X3 | SCREW, PAN M2.5X3 | |
| 54 | S20221000 | 1 | フェルト | FELT | |
| 55 | S20222001 | 1 | フェルトオサエ | FELT SUPPORT | |
| 56 | S20158101 | 2 | ナベコ25X3 | SCREW, PAN M2.5X3 | |
| 57 | S20178001 | 1 | ボウジンイタ | FRAGMENT PROTECTOR PLATE | |
| 58 | 062400612 | 1 | ナベコM4X6 | SCREW, PAN M4X6 | |

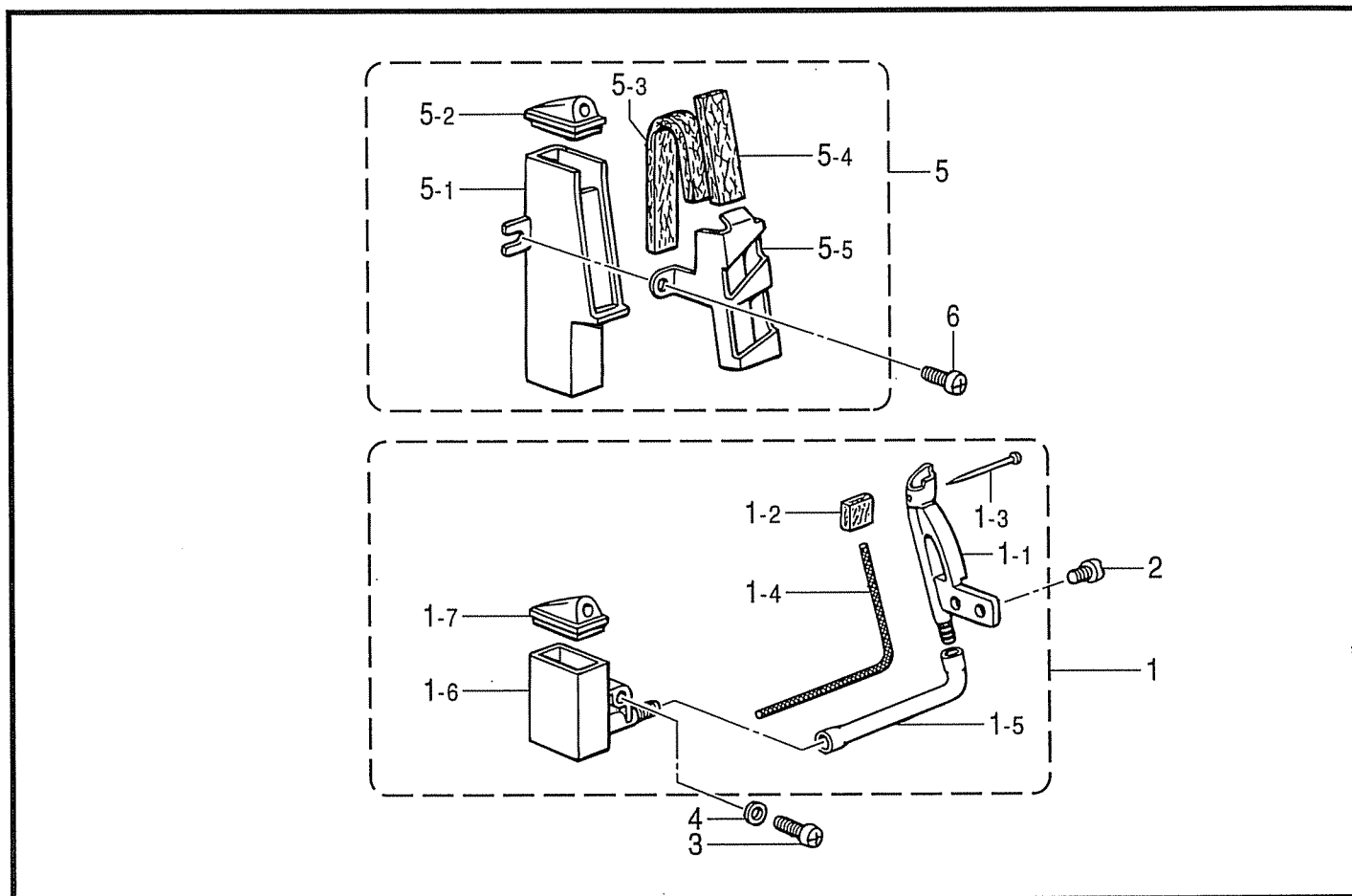
878-V8A,B-350



M. 糸調子関係 / Thread tension

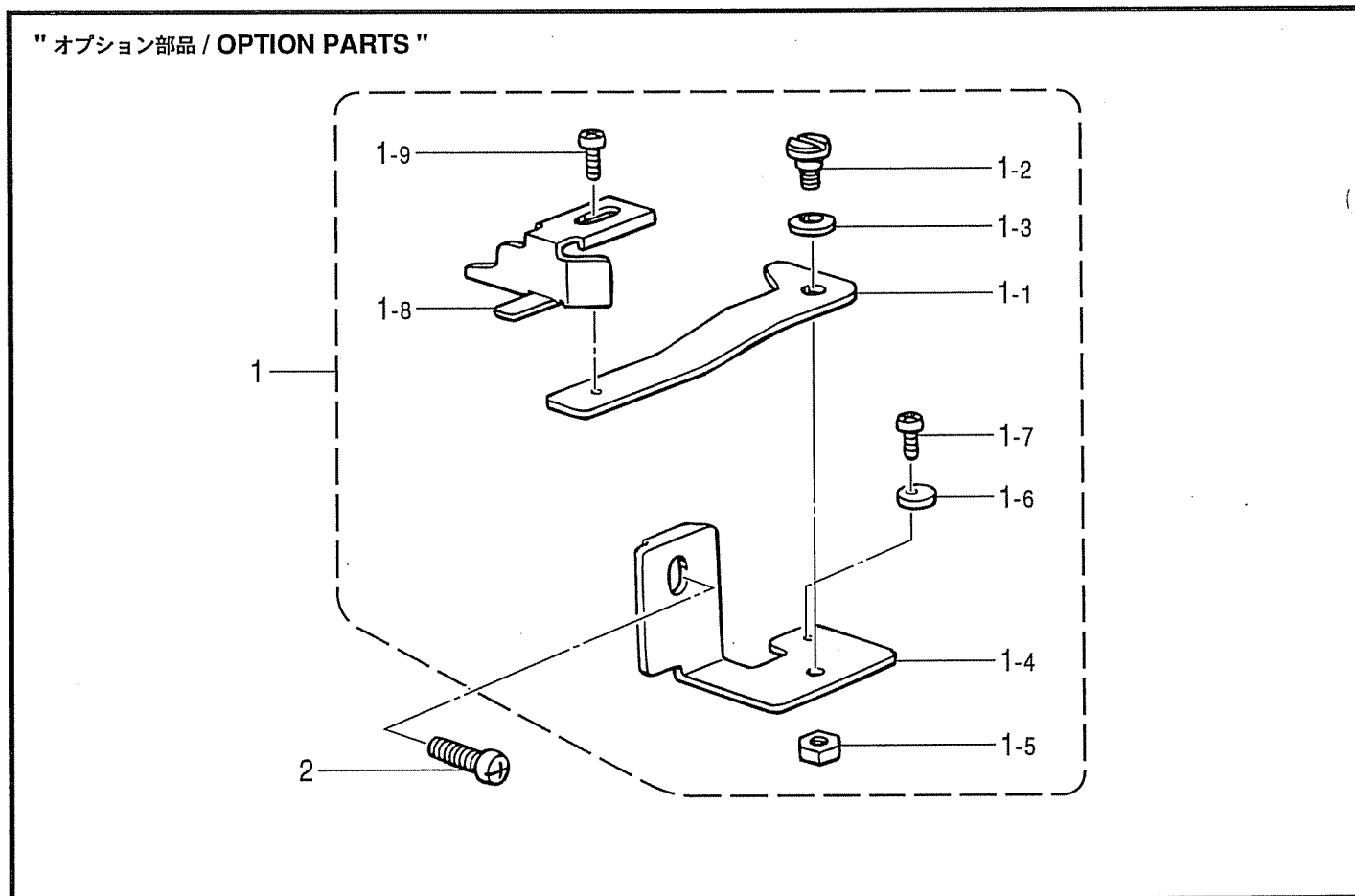
| REF.NO. | CODE | Q'TY | ヒンメイ | NAME OF PARTS | RM |
|---------|-----------|------|---------------|--------------------------------|----|
| 1 | S20672001 | 1 | シユイトアンナイ | MAIN THREAD GUIDE | |
| 4 | 060400812 | 2 | バインドM4X8 | SCREW, BIND M4X8 | |
| 5 | S20693001 | 1 | ハリイトアンナイ2N | NEEDLE GUIDE (2N) | |
| 8 | S20675001 | 3 | チヨウシサライトアンナイ | TENSION DISC THREAD GUIDE | |
| 9 | S20676051 | 4 | イトチヨウシボウ | TENSION STUD | |
| 10 | S20677000 | 4 | イトチヨウシサラフエルト | TENSION DISC FELT | |
| 11 | S20673001 | 8 | イトチヨウシサラ | TENSION DISC | |
| 12 | 110832009 | 4 | イトチヨウシサラフエルト | TENSION DISC FELT | |
| 13 | 144103009 | 4 | イトチヨウシサラオサエ | TENSION DISC PRESSER | |
| 14 | S20678001 | 2 | イトチヨウシバネL | TENSION SPRING, L | |
| 15 | S20679001 | 2 | イトチヨウシバネM | TENSION SPRING, M | |
| 17 | S20681000 | 4 | チヨウシバネウエザガネ | WASHER | |
| 18-1 | S20682103 | 1 | イトチヨウシナツト(赤) | TENSION NUT, RED | |
| 18-2 | S20682101 | 1 | イトチヨウシナツト(氷色) | TENSION NUT, LIGHT BLUE | |
| 18-3 | S20682104 | 1 | イトチヨウシナツト(黄) | TENSION NUT, YELLOW | |
| 18-4 | S20682102 | 1 | イトチヨウシナツト(緑) | TENSION NUT, GREEN | |
| 19 | S20683001 | 1 | ルーバイトアンナイ | LOOPER THREAD GUIDE | |
| 20 | 060400812 | 1 | バインドM4X8 | SCREW, BIND M4X8 | |
| 21 | 146592001 | 2 | イトアンナイパイプ | THREAD GUIDE PIPE | |
| 22 | S23452002 | 2 | アナヒラ4X3.2 | SET SCREW, SOCKET (FT) M4X3.2 | |
| 23 | S20684101 | 1 | イトアンナイドダイ | THREAD GUIDE BRACKET | |
| 24 | 060400612 | 2 | バインドM4X6 | SCREW, BIND M4X6 | |
| 25 | S20685001 | 1 | シタルーバイトアンナイR | UNDER LOOPER THREAD GUIDE, R | |
| 26 | S20686001 | 1 | ウワルーバイトアンナイR | OVER LOOPER THREAD GUIDE, R | |
| 27 | S23418002 | 2 | シメネジ4X5 | SCREW, M4X5 | |
| 28 | S21133001 | 1 | ウワルーパテンビンR | OVER LOOPER THREAD TAKE-UP, R | |
| 29 | S21134001 | 1 | シタルーパテンビンR | UNDER LOOPER THREAD TAKE-UP, R | |
| 30 | 060300412 | 1 | バインドM3X4 | SCREW, BIND M3X4 | |
| 31 | S21135001 | 1 | ルーパテンビンL | LOOPER THREAD TAKE-UP, L | |
| 32 | 060400612 | 2 | バインドM4X6 | SCREW, BIND M4X6 | |
| 33 | S21137001 | 1 | ルーバイトアンナイM1 | LOOPER THREAD GUIDE, M1 | |
| 35 | S21136101 | 1 | ウワルーバイトアンナイL | OVER LOOPER THREAD GUIDE, L | |
| 36 | 060400612 | 1 | バインドM4X6 | SCREW, BIND M4X6 | |
| 37 | S20687001 | 1 | シタルーバイトアンナイL | UNDER LOOPER THREAD GUIDE, L | |
| 38 | S21127001 | 1 | ハリイトアンナイC | NEEDLE THREAD GUIDE (C) | |
| 39 | 060400612 | 1 | バインドM4X6 | SCREW, BIND M4X6 | |
| 40 | S21129001 | 1 | ハリイトアンナイB | NEEDLE THREAD GUIDE, B | |
| 41 | 060400612 | 1 | バインドM4X6 | SCREW, BIND M4X6 | |
| 42 | S21130051 | 1 | ハリイトテンビンA | NEEDLE THREAD TAKE-UP, A | |
| 43 | 060400812 | 2 | バインドM4X8 | SCREW, BIND M4X8 | |
| 44 | S21128001 | 1 | ハリイトアンナイA | NEEDLE THREAD GUIDE, A | |
| 45 | 060400612 | 1 | バインドM4X6 | SCREW, BIND M4X6 | |
| 46 | S38330050 | 1 | ハリイトオサエホルダー | NEEDLE THREAD PRESSER HOLDER | |
| 47 | 146427001 | 2 | アナトメネジ3.18クボミ | SET SCREW, SOCKET (CP) SM3.18 | |
| 48 | S20689001 | 1 | ハリイトオサエカラー | NEEDLE THREAD PRESSER COLLAR | |
| 49 | S20690001 | 1 | ハリイトオサエバネ | SPRING | |
| 50 | S20691001 | 1 | ハリイトオサエイタ | NEEDLE THREAD PRESSER PLATE | |
| 51 | S20692001 | 1 | ハリイトアンナイ | NEEDLE THREAD GUIDE | |
| 52 | 060300612 | 1 | バインドM3X6 | SCREW, BIND M3X6 | |

P . 針冷却関係 / Needle cooler



878-V8A,B-124

Q . 緑カガリ定規関係 / Serging attachment



878-V8A,B-236

P. 針冷却関係 / Needle cooler

| REF.NO. | CODE | Q'TY | ヒンメイ | NAME OF PARTS | RM |
|---------|-----------|------|------------|------------------------|----|
| 1 | S20453001 | 1 | フェルトササエクミ | FELT SUPPORT ASSY | |
| 1-1 | S20454000 | 1 | フェルトササエ | FELT SUPPORT | |
| 1-2 | S20455000 | 1 | フェルト | FELT | |
| 1-3 | S02874001 | 1 | ムシヒン | PIN | |
| 1-4 | 150307000 | 1 | クミヒモ | WICK (L = 140) | |
| 1-5 | S20456000 | 1 | ビニルチューブ55 | VINYL TUBE 55 | |
| 1-6 | S20459000 | 1 | シリコンタンクタイL | SILICONE TANK (L) | |
| 1-7 | S20460000 | 1 | シリコンタンクフタ | SILICONE TANK CAP | |
| 2 | S23418002 | 2 | シメネジ4X5 | SCREW, M4X5 | |
| 3 | 060401012 | 1 | バインドM4X10 | SCREW, BIND M4X10 | |
| 4 | 025040132 | 1 | ヒラザガネシヨウ4 | WASHER, PLAIN S 4 | |
| 5 | S20461101 | 1 | シリコンタンククミU | SILICONE TANK ASSY (U) | |
| 5-1 | S20464000 | 1 | シリコンタンクU | SILICONE TANK (U) | |
| 5-2 | S20460000 | 1 | シリコンタンクフタ | SILICONE TANK CAP | |
| 5-3 | S29933000 | 1 | フェルトL | FELT (L) | |
| 5-4 | S29934000 | 1 | フェルトS | FELT (S) | |
| 5-5 | S20467001 | 1 | フェルトオサエイタ | FELT SUPPORT PLATE | |
| 6 | 062401012 | 1 | ナベコM4X10 | SCREW, PAN M4X10 | |

878-V8A,B-124

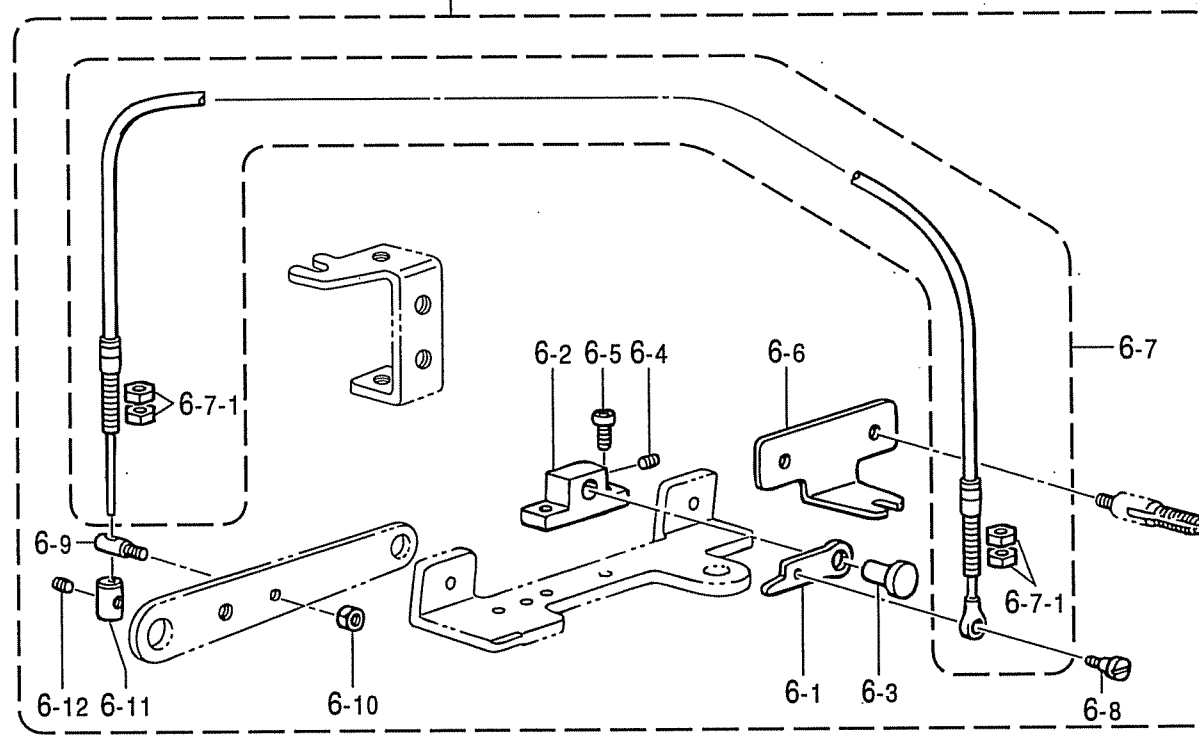
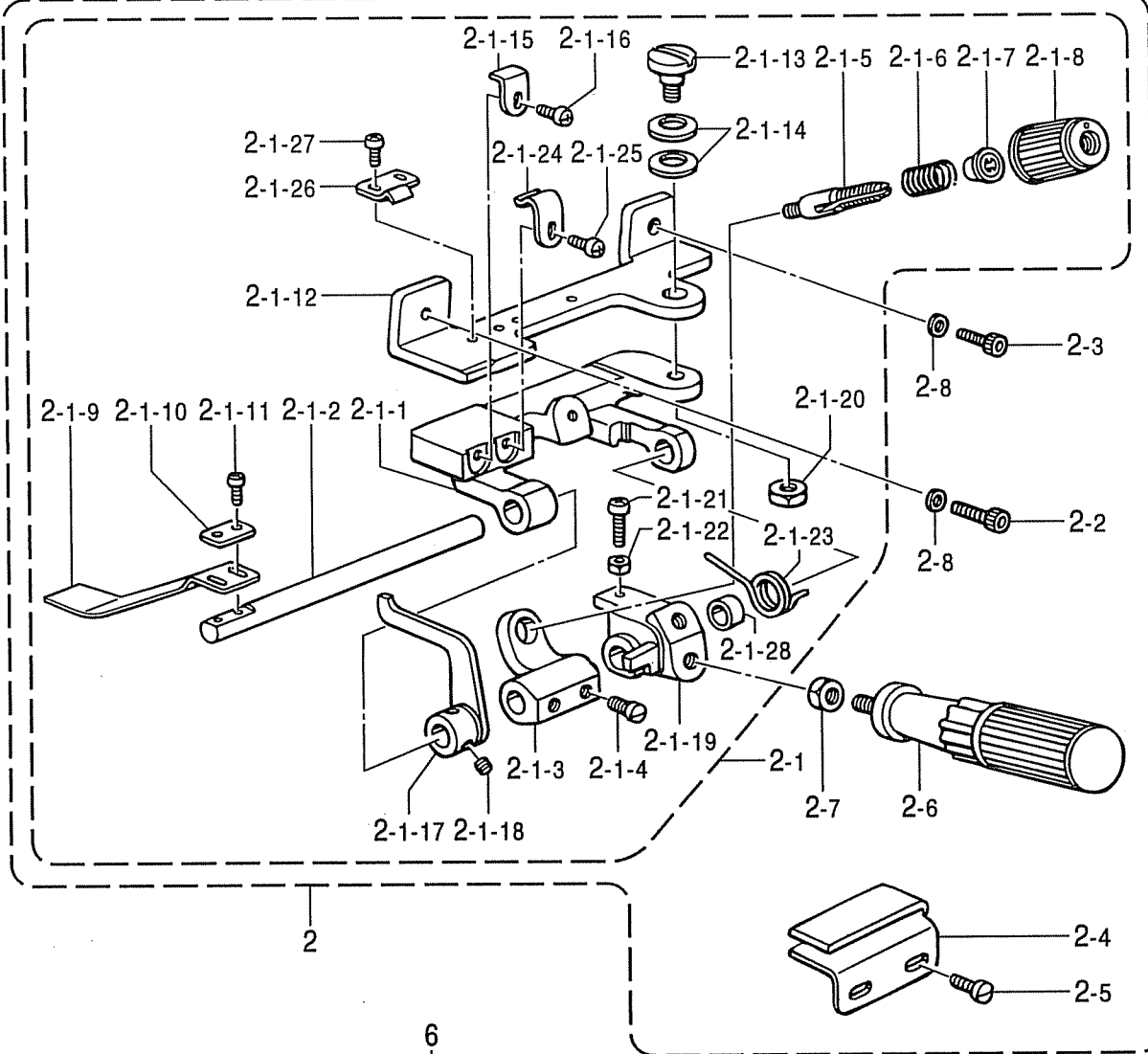
Q. 縁カガリ定規関係 / Serging attachment

| REF.NO. | CODE | Q'TY | ヒンメイ | NAME OF PARTS | RM |
|---------|-----------|------|---------------|----------------------|----|
| 1 | S21336101 | 1 | フチカガリジヨウギクミ | EDGE GUIDE ASSY | |
| 1-1 | S23896101 | 1 | ジヨウギトリツケイタ | EDGE GUIDE SET PLATE | |
| 1-2 | S23773001 | 1 | ダンネジ4 | SHOULDER SCREW, M4 | |
| 1-3 | 146598001 | 1 | バネザガネ | WASHER, SPRING | |
| 1-4 | S23897001 | 1 | ジヨウギトリツケイタササエ | EDGE GUIDE SUPPORT | |
| 1-5 | 021400212 | 1 | 2シユナツト4 | NUT, 2 M4 | |
| 1-6 | S21341001 | 1 | ストツパー | STOPPER | |
| 1-7 | 062300512 | 1 | ナベコ3X5 | SCREW, PAN M3X5 | |
| 1-8 | 146762001 | 1 | フチカガリジヨウギ | EDGE GUIDE | |
| 1-9 | 062350612 | 1 | ナベコM3.5X6 | SCREW, PAN M3.5X6 | |
| 2 | 062401012 | 1 | ナベコM4X10 | SCREW, PAN M4X10 | |

878-V8A,B-236

R. ラフラー装置関係 / Ruffling attachment

V82A
M420
M620
W420
W620



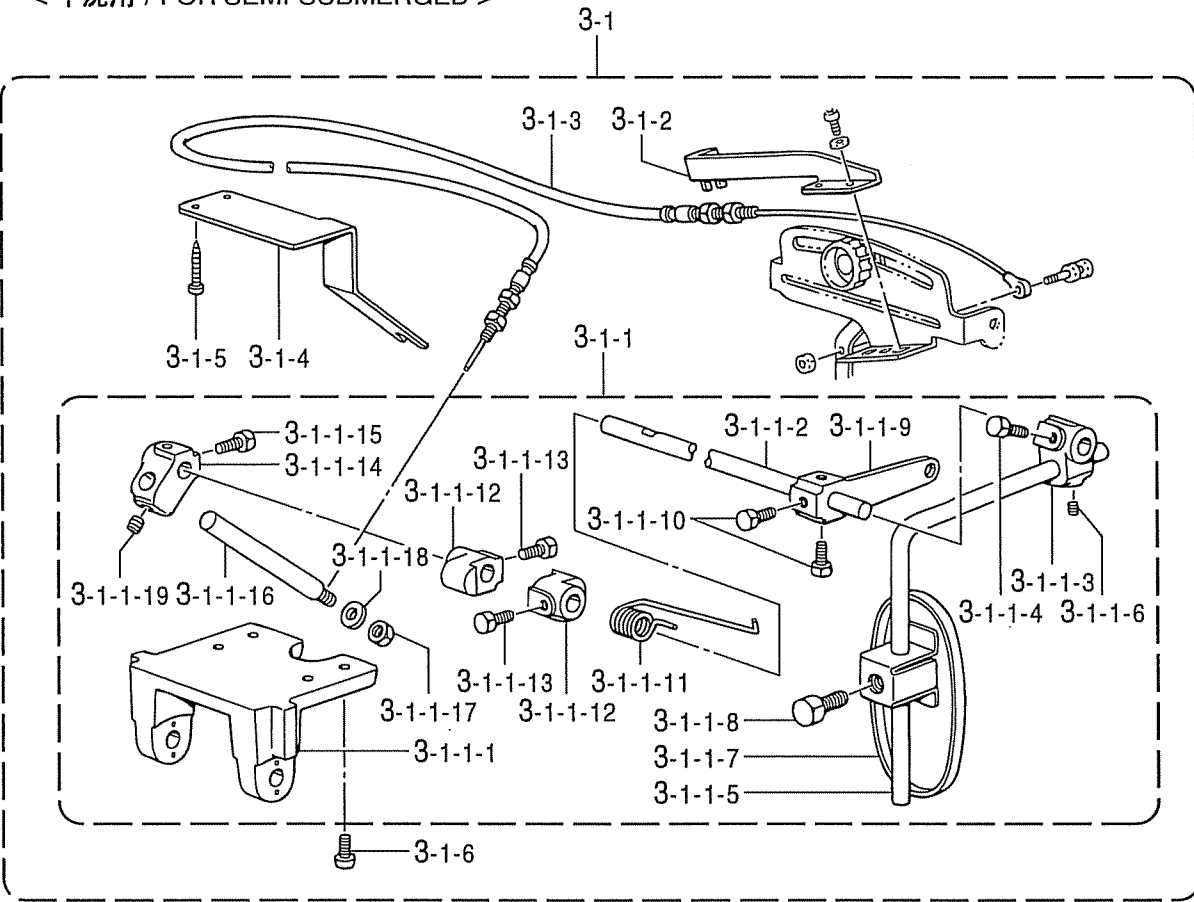
R. ラフラー装置関係 / Ruffling attachment

| REF.NO. | CODE | Q'TY | ヒンメイ | NAME OF PARTS | RM |
|---------|-----------|------|---------------|--------------------------------|----|
| 2 | S30401001 | 1 | シャーリングクミ | SHIRRING ASSY | |
| 2-1 | S21365001 | 1 | シャーリングソウチクミ | SHIRRING DEVICE SET | |
| 2-1-1 | S21294001 | 1 | キジオサエタイ | RUFFLING BLADE BRACKET | |
| 2-1-2 | S21295001 | 1 | キジオサエトリツケジク | RUFFLING BLADE BASE SHAFT | |
| 2-1-3 | S21305001 | 1 | バネウケ | SPRING BASE | |
| 2-1-4 | S23777101 | 2 | アタマツキトメネジ6 | SET SCREW, M6 | |
| 2-1-5 | S20676051 | 1 | イトチヨウシボウ | TENSION STUD | |
| 2-1-6 | S23775001 | 1 | コイルバネ | SPRING, COIL | |
| 2-1-7 | S20681000 | 1 | チヨウシバネウエザガネ | WASHER | |
| 2-1-8 | S20682105 | 1 | イトチヨウシナツト | TENSION NUT | |
| 2-1-9 | S21366001 | 1 | キジオサエ | RUFFLING BLADE | |
| 2-1-10 | 144784001 | 1 | キジオサエザガネ | WASHER | |
| 2-1-11 | 062300812 | 2 | ナベコ3X8 | SCREW, PAN M3X8 | |
| 2-1-12 | S21297001 | 1 | ラフラーソウチトリツケダイ | RUFFLER BASE | |
| 2-1-13 | S21306001 | 1 | ダンネジ6 | SHOULDER SCREW, M6 | |
| 2-1-14 | S21307001 | 2 | バネザガネ | WASHER, SPRING | |
| 2-1-15 | S21298001 | 1 | キジオサエアンナイ | RUFFLING BLADE GUIDE | |
| 2-1-16 | 062400812 | 1 | ナベコ4X8 | SCREW, PAN M4X8 | |
| 2-1-17 | S21299001 | 1 | キジオサエアゲ | CLOTH PRESSER BAR LIFTER | |
| 2-1-18 | S23651002 | 2 | アナヒラ6X6ホソメ | SET SCREW, SOCKET (FT) M6X5 | |
| 2-1-19 | S21300001 | 1 | ハンドルトリツケイタ | HANDLE SETTING PLATE | |
| 2-1-20 | 021060302 | 1 | ナツト3シユ6 | NUT, 3 M6 | |
| 2-1-21 | 062401612 | 1 | ナベコM4X16 | SCREW, PAN M4X16 | |
| 2-1-22 | 021400212 | 1 | 2シユナツト4 | NUT, 2 M4 | |
| 2-1-23 | S21301001 | 1 | ハンドルモドシバネ | SPRING | |
| 2-1-24 | S21302001 | 1 | キジオサエタイトメバネU | SPRING, PLATE (U) | |
| 2-1-25 | 062400612 | 1 | ナベコM4X6 | SCREW, PAN M4X6 | |
| 2-1-26 | S21303001 | 1 | キジオサエタイトメバネD | SPRING, PLATE (D) | |
| 2-1-27 | 062350512 | 2 | ナベコ3.5X5 | SCREW, PAN M3.5X5 | |
| 2-1-28 | S21304001 | 1 | カラー | COLLAR | |
| 2-2 | 018401632 | 1 | アナボルト4X16 | BOLT, SOCKET M4X16 | |
| 2-3 | 018401032 | 1 | アナボルト4X10 | BOLT, SOCKET M4X10 | |
| 2-4 | S21590000 | 1 | キジアンナイ | RUFFLER GUIDE | |
| 2-5 | S23418002 | 2 | シメネジ4X5 | SCREW, M4X5 | |
| 2-6 | S23779001 | 1 | ハンドル | HANDLE | |
| 2-7 | 021060302 | 1 | ナツト3シユ6 | NUT, 3 M6 | |
| 2-8 | 102707002 | 2 | ザガネ | WASHER, PLAIN 4 | |
| 6 | S30137001 | 1 | ラフラーオサエレンドウクミ | RUFFLING DEVICE SET | |
| 6-1 | S21310001 | 1 | キジオサエアゲレバー | CLOTH PRESSER BAR LIFTER LEVER | |
| 6-2 | S21311001 | 1 | オサエアゲダイ | PRESSER BAR LIFTER BRACKET | |
| 6-3 | S21312001 | 1 | ピン6.35 | PIN, 6.35 | |
| 6-4 | 012060632 | 1 | アナヒラ6X6 | SET SCREW, SOCKET (FT) M6X6 | |
| 6-5 | 062350812 | 2 | ナベコ3.5X8 | SCREW, PAN M3.5X8 | |
| 6-6 | S21313001 | 1 | ワイヤートリツケイタ | WIRE SET PLATE | |
| 6-7 | S21314001 | 1 | フレキシブルワイヤークミ | FLEXIBLE WIRE ASSY | |
| 6-7-1 | 021500303 | 4 | ナツト3シユ5 | NUT, 3 M5 | |
| 6-8 | S23774001 | 1 | ダンネジ3.5 | SHOULDER SCREW, M3.5 | |
| 6-9 | S21315001 | 1 | スタツドM4 | STUD, M4 | |
| 6-10 | 021400212 | 1 | 2シユナツト4 | NUT, 2 M4 | |
| 6-11 | S21316001 | 1 | ワイヤーストツパー | WIRE STOPPER | |
| 6-12 | 012400432 | 1 | アナヒラ4X4 | SET SCREW, SOCKET (FT) M4X4 | |

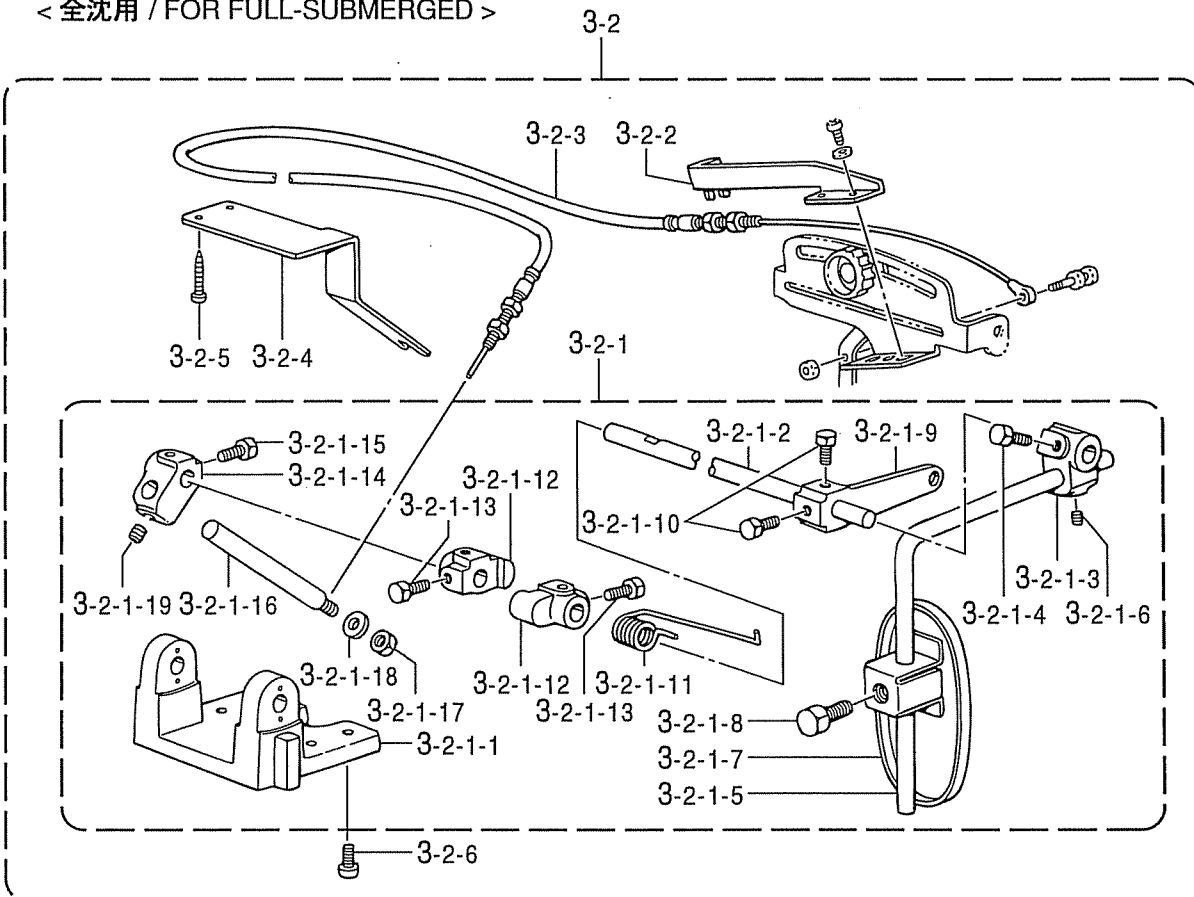
R. ラフラー装置関係 / Ruffling attachment

V82A < 半沈用 / FOR SEMI-SUBMERGED >

M420
M620
W420
W620



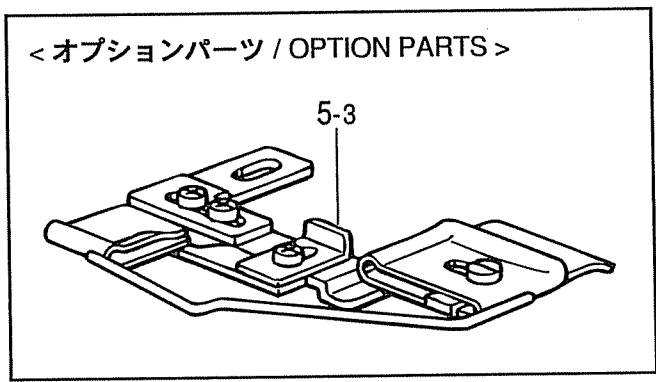
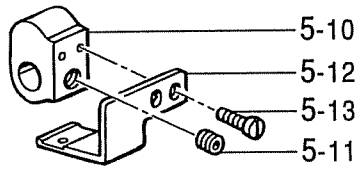
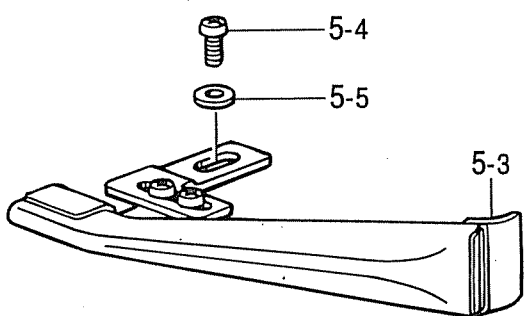
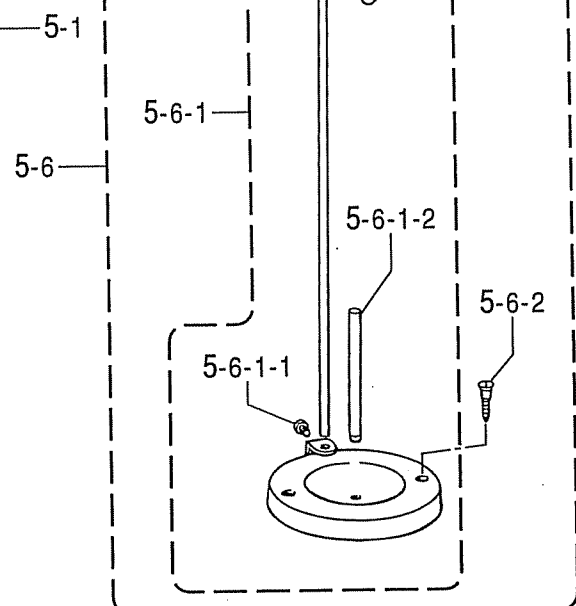
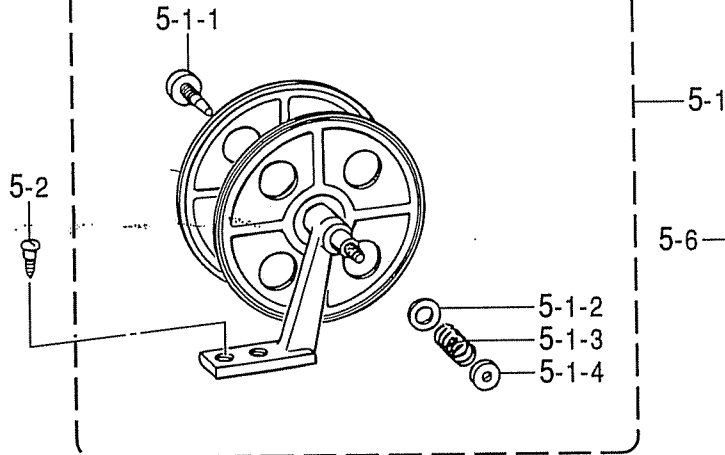
< 全沈用 / FOR FULL-SUBMERGED >



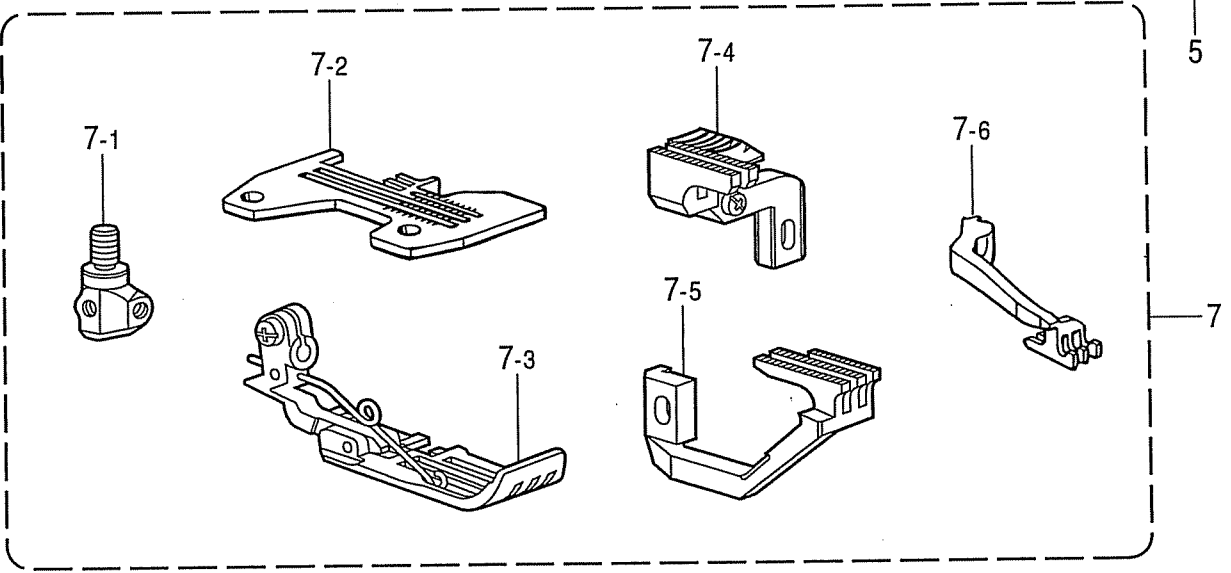
R. ラフラー装置関係 / Ruffling attachment

| REF.NO. | CODE | Q'TY | ヒンメイ | NAME OF PARTS | RM |
|----------|-----------|------|---------------|-------------------------------|----|
| | | | <半沈用> | <FOR SEMI-SUBMERGED> | |
| 3-1 | S30402101 | 1 | サドウチヨウセツセツト | DIFFERENTIAL ADJUSTING SET | |
| 3-1-1 | S21387101 | 1 | サドウチヨウセツクミ | DIFFERENTIAL FEED ADJUSTER | |
| 3-1-1-1 | 155197101 | 1 | ヒザアテヨコジクウケ | KNEE LIFTER SHAFT BRACKET | |
| 3-1-1-2 | S21388001 | 1 | ヨコジク | KNEE LIFTER SHAET | |
| 3-1-1-3 | 155199101 | 1 | ヒザアテツギテ | KNEE LIFTER BRACKET | |
| 3-1-1-4 | 017781012 | 2 | ボルト6.35X10 | BOLT, SM6.35X10 | |
| 3-1-1-5 | 148797001 | 1 | ヒザアゲタテジクS | KNEE LIFTER BAR, S | |
| 3-1-1-6 | 014780622 | 1 | アナトメネジ6.35クボミ | SET SCREW, SOCKET (CP) SM6.35 | |
| 3-1-1-7 | 148798109 | 1 | ヒザアテL | KNEE LIFTER PLATE, L | |
| 3-1-1-8 | 017081606 | 1 | ボルト8X16 | BOLT, M8X16 | |
| 3-1-1-9 | S21376001 | 1 | ヒザアテレバー | KNEE LIFTER LEVER | |
| 3-1-1-10 | 017781012 | 2 | ボルト6.35X10 | BOLT, SM6.35X10 | |
| 3-1-1-11 | S21377001 | 1 | ヒザアテレバーバネ | SPRING | |
| 3-1-1-12 | S21378001 | 2 | ヨコジクトメグ | COLLAR | |
| 3-1-1-13 | 017781012 | 4 | ボルト6.35X10 | BOLT, SM6.35X10 | |
| 3-1-1-14 | 155199101 | 1 | ヒザアテツギテ | BRACKET, KNEE LIFTER | |
| 3-1-1-15 | 017781012 | 2 | ボルト6.35X10 | BOLT SM6.35X10 | |
| 3-1-1-16 | S21382001 | 1 | ワイヤトリツケボウ | WIRE SET BAR | |
| 3-1-1-17 | 110744002 | 1 | ナツト6.35 | NUT SM6.35 | |
| 3-1-1-18 | 025770232 | 1 | ヒラザガネチユウ6.35 | WASHER, PLAIN M 6.35 | |
| 3-1-1-19 | 014780622 | 1 | アナトメネジ6.35クボミ | SET SCREW, SOCKET (CP) SM6.35 | |
| 3-1-2 | S21385001 | 1 | ワイヤトリツケイタ | WIRE SET PLATE | |
| 3-1-3 | S21283001 | 1 | フレキシブルワイヤ | FLEXIBLE WIRE | |
| 3-1-4 | S21384001 | 1 | ワイヤトリツケイタ | WIRE SET PLATE | |
| 3-1-5 | 032422505 | 2 | +マルモクネジ4.1X25 | WOOD SCREW, ROUND M4.1X25 | |
| 3-1-6 | 062401012 | 4 | ナベコM4X10 | SCREW, PAN M4X10 | |
| | | | <全沈用> | <FOR FULL-SUBMERGED> | |
| 3-2 | S30402102 | 1 | サドウチヨウセツセツト | DIF. ADJUSTING SET, FULL | |
| 3-2-1 | S21374101 | 1 | サドウチヨウセツソウチクミ | DIFFERENTIAL FEED ADJUSTER | |
| 3-2-1-1 | 155197101 | 1 | ヒザアテヨコジクウケ | KNEE LIFTER SHAFT BRACKET | |
| 3-2-1-2 | S21388001 | 1 | ヨコジク | KNEE LIFTER SHAET | |
| 3-2-1-3 | 155199101 | 1 | ヒザアテツギテ | KNEE LIFTER BRACKET | |
| 3-2-1-4 | 017781012 | 2 | ボルト6.35X10 | BOLT, SM6.35X10 | |
| 3-2-1-5 | 148797001 | 1 | ヒザアゲタテジクS | KNEE LIFTER BAR, S | |
| 3-2-1-6 | 014780622 | 1 | アナトメネジ6.35クボミ | SET SCREW, SOCKET (CP) SM6.35 | |
| 3-2-1-7 | 148798109 | 1 | ヒザアテL | KNEE LIFTER PLATE, L | |
| 3-2-1-8 | 017081606 | 1 | ボルト8X16 | BOLT, M8X16 | |
| 3-2-1-9 | S21376001 | 1 | ヒザアテレバー | KNEE LIFTER LEVER | |
| 3-2-1-10 | 017781012 | 2 | ボルト6.35X10 | BOLT, SM6.35X10 | |
| 3-2-1-11 | S21377001 | 1 | ヒザアテレバーバネ | SPRING | |
| 3-2-1-12 | S21378001 | 2 | ヨコジクトメグ | COLLAR | |
| 3-2-1-13 | 017781012 | 4 | ボルト6.35X10 | BOLT, SM6.35X10 | |
| 3-1-1-14 | 155199101 | 1 | ヒザアテツギテ | BRACKET, KNEE LIFTER | |
| 3-1-1-15 | 017781012 | 2 | ボルト6.35X10 | BOLT SM6.35X10 | |
| 3-1-1-16 | S21382001 | 1 | ワイヤトリツケボウ | WIRE SET BAR | |
| 3-1-1-17 | 110744002 | 1 | ナツト6.35 | NUT SM6.35 | |
| 3-1-1-18 | 025770232 | 1 | ヒラザガネチユウ6.35 | WASHER, PLAIN M 6.35 | |
| 3-1-1-19 | 014780622 | 1 | アナトメネジ6.35クボミ | SET SCREW, SOCKET (CP) SM6.35 | |
| 3-1-2 | S21385001 | 1 | ワイヤトリツケイタ | WIRE SET PLATE | |
| 3-1-3 | S21283001 | 1 | フレキシブルワイヤ | FLEXIBLE WIRE | |
| 3-1-4 | S21384001 | 1 | ワイヤトリツケイタ | WIRE SET PLATE | |
| 3-1-5 | 032422505 | 2 | +マルモクネジ4.1X25 | WOOD SCREW, ROUND M4.1X25 | |
| 3-2-6 | 062401012 | 4 | ナベコM4X10 | SCREW, PAN M4X10 | |

V82A
M620
W620



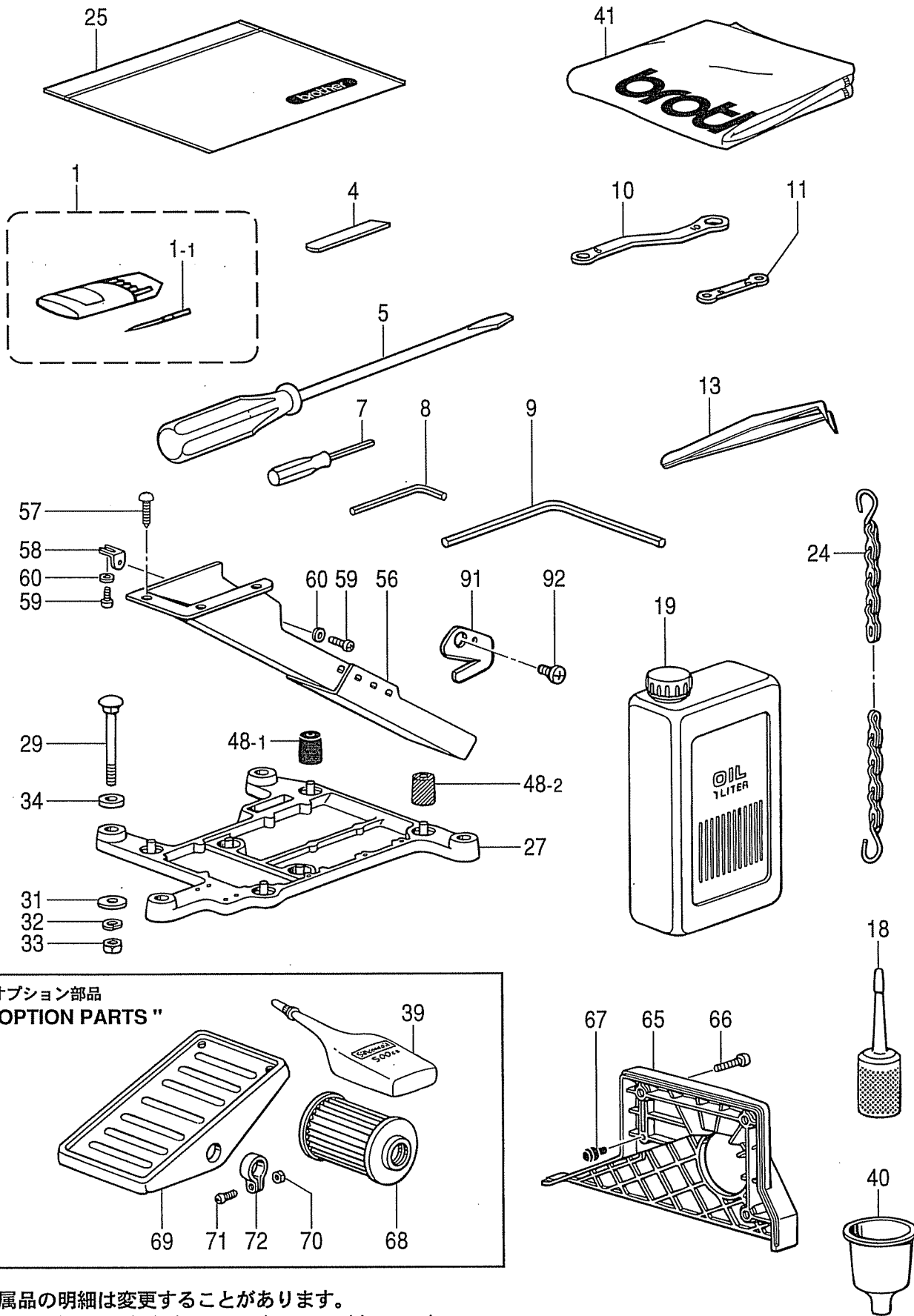
V82A
M420
M620
W420
W620



R. ラフラー装置関係 / Ruffling attachment

| REF.NO. | CODE | Q'TY | ヒンメイ | NAME OF PARTS | RM |
|---------|-----------|------|-------------------|--------------------------------|----|
| 5 | S30404001 | 1 | パイピングハーヅクミ | PIPING PARTS ASSY | |
| 5-1 | 143767002 | 1 | テープワインダークミ | TAPE WINDER ASSY | |
| 5-1-1 | 143980001 | 1 | ツマミネジ | SCREW | |
| 5-1-2 | 108494001 | 1 | ザガネ | WASHER | |
| 5-1-3 | 108495001 | 1 | テープワインダオシバネ | SPRING | |
| 5-1-4 | 100136001 | 1 | イトチヨウシナツト | TENSION NUT | |
| 5-2 | 101118001 | 2 | マルモクネジ4.5X20 | WOOD SCREW, ROUND M4.5X20 | |
| 5-3 | S21370001 | 1 | ラツバークミ | LAPPER ASSY | |
| | | | <オプション> | <OPTION PARTS> | |
| 5-3 | S21372001 | 1 | ラツバークミ | LAPPER ASSY | |
| 5-4 | 062350612 | 1 | ナベコM3.5X6 | SCREW, PAN M3.5X6 | |
| 5-5 | 025350332 | 1 | ヒラザガネダイ3.5 | WASHER, PLAIN L 3.5 | |
| 5-6 | S20130009 | 1 | イトタテダイクミネジツキ | COTTON STAND ASSY, W/SCREW | |
| 5-6-1 | S20131009 | 1 | イトタテダイクミ | COTTON STAND ASSY | |
| 5-6-1-1 | S20134001 | 1 | シメネジW476-24X10 | SCREW, W4.76-24X10 | |
| 5-6-1-2 | S20135001 | 1 | イトタテボウ | SPOOL PIN | |
| 5-6-2 | 034422006 | 2 | +2サラモク41X20 | WOOD SCREW, FLAT 2 M4.1X20 | |
| 5-10 | S21368001 | 1 | ラツバードダイ | LAPPER BASE | |
| 5-11 | S23651002 | 1 | アナヒラ6X6ホソメ | SET SCREW, SOCKET (FT) M6X5 | |
| 5-12 | S21369001 | 1 | ラツバートリツケイタ | LAPPER SET PLATE | |
| 5-13 | S20355002 | 2 | シメネジ3X8.5 | SCREW, M3X8.5 | |
| 7 | S30407001 | 1 | シャーリングゲージクミ<-5> | SHIRRING GAUGE ASSY<-5> | |
| 7-3 | S19351001 | 1 | オサエクミ | PRESSER FOOT ASSY | |
| | | | <パイピング用> | <FOR PIPING> | |
| 7 | S30408001 | 1 | P.シャーリングゲージクミ<-5> | PIPING SHIRRING GAUGE ASSY<-5> | |
| 7-3 | S20837001 | 1 | オサエクミ | PRESSER FOOT ASSY | |
| 7-1 | S20398001 | 1 | ハリドメ2.2クミ | NEEDLE CLAMP ASSY, 2.2 | |
| 7-2 | S19169001 | 1 | ハリイタ | NEEDLE PLATE | |
| 7-4 | S19212001 | 1 | シュオクリバクミ | MAIN FEED DOG ASSY | |
| 7-5 | S19248001 | 1 | サドウオクリバ | DIFFERENTIAL FEED DOG | |
| 7-6 | S19401001 | 1 | ウワオクリバ | UPPER FEED DOG | |

| V82A | REF.NO. | M420-25,W420 | | M620-25,W620 | |
|-------------------------------------------|---------|--------------------------|--------------------------|--------------------------|--------------------------|
| | | 半沈 Semi- Submerged | 全沈 Full- Submerged | 半沈 Semi- Submerged | 全沈 Full- Submerged |
| シャーリングシヨウセット/SHIRRING SET | | S30409101 | S31113101 | - | - |
| P. シャーリングシヨウセット/PIPING SHIRRING SET | | - | - | S30410101 | S31114101 |
| シャーリングゲージクミ/SHIRRING GAUGE ASSY | 7 | S30407001 | ← | - | - |
| P. シャーリングゲージクミ/PIPING SHIRRING GAUGE ASSY | 7 | - | - | S30408001 | ← |
| シャーリングクミ/SHIRRING ASSY | 2 | S30401001 | ← | ← | ← |
| サドウチョウセツセット/DIFFERENTIAL ADJUSTING SET | 3 | S30402101 | S30402102 | S30402101 | S30402102 |
| パイピングパーツクミ/PIPING PARTS ASSY | 5 | - | - | S30404001 | ← |
| ラフラーオサエレンドウクミ/RUFFLING DEVICE SET | 6 | S30137001 | ← | ← | ← |

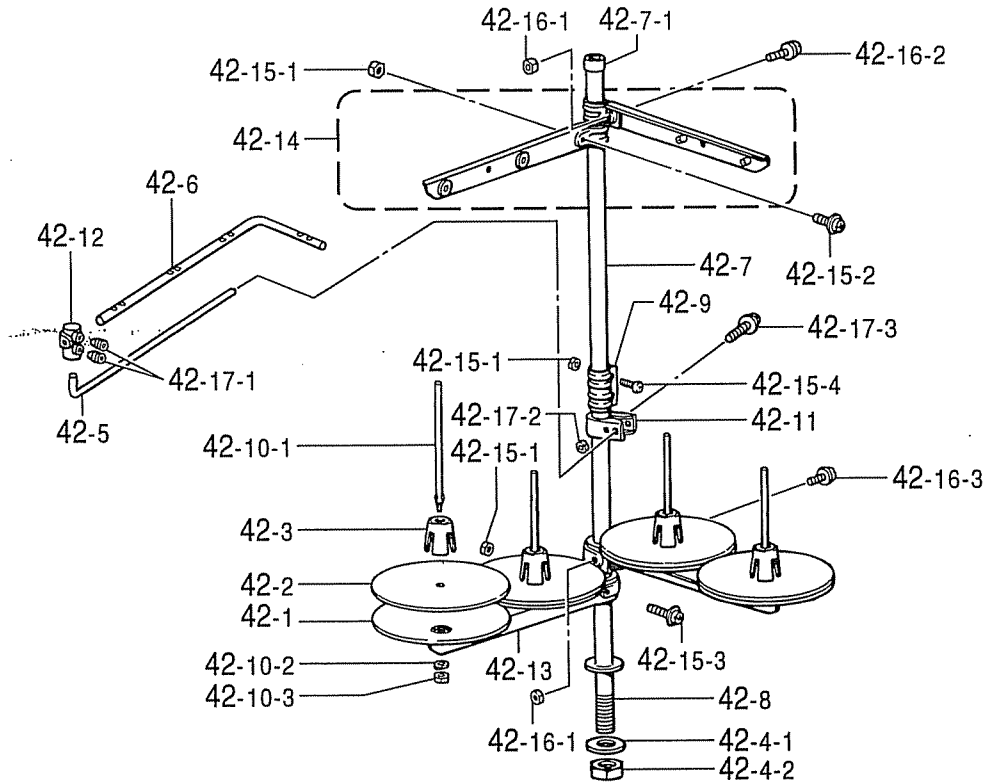


" オプション部品
/ OPTION PARTS "

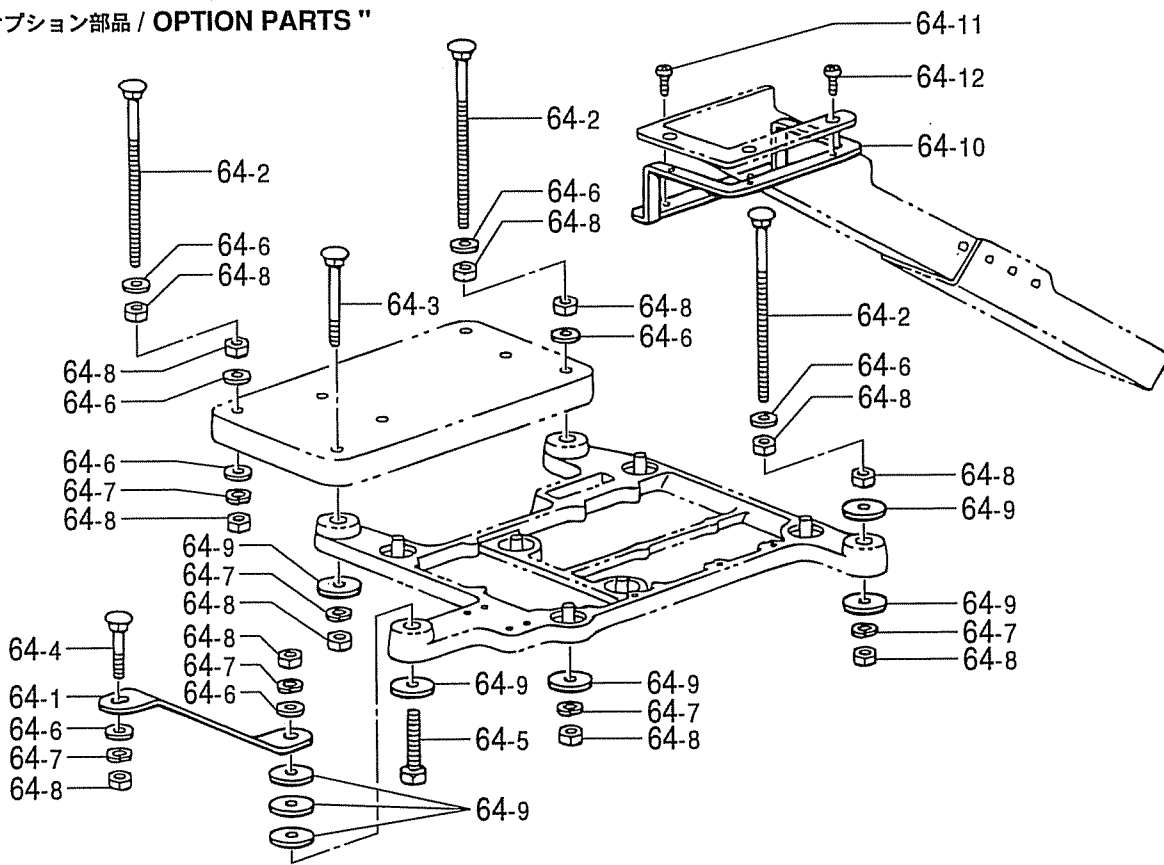
- ◎ 付属品の明細は変更することがあります。
- ◎ The details of included accessories are subject to change.
- ◎ Änderungen in der Aufstellung der Mitgelieferten Zubehöre sind vorbehalten.
- ◎ Les détails des accessoires inclus sont sujets à des changements.
- ◎ Los detalles de los accesorios incluidos pueden variar.

Z. 付属品関係 / Accessories

| REF.NO. | CODE | Q'TY | ヒンメイ | NAME OF PARTS | RM |
|---------|-----------|------|--------------------|--------------------------------|----|
| 1 | | 1 | ミシンハリクミ | NEEDLE ASSY, DCX27 | |
| 1-1 | ※ | 4 | ミシンハリ | NEEDLE, DCX27 | |
| 4 | S20582001 | 1 | シタメス <T1.5> | LOWER KNIFE <T1.5> | |
| 5 | 101572101 | 1 | ネジマワシ5.5X190 | SCREW DRIVER, 5.5X190 | |
| 7 | S01943001 | 1 | 6カクボウネジマワシ1.6 | SCREW DRIVER, 1.6 | |
| 8 | 142002001 | 1 | 6カクボウスパナ2 | HEXAGONAL WRENCH, 2 | |
| 9 | 149570001 | 1 | 6カクボウスパナ5 | HEXAGONAL WRENCH, 5 | |
| 10 | S23356001 | 1 | メガネレンチ8X10 | DOUBLE WRENCH, 8X10 | |
| 11 | S46907001 | 1 | メガネレンチ5X6 | DOUBLE WRENCH, 5X6 | |
| 13 | 117466000 | 1 | ピンセット | PINCETTE | |
| 18 | S06701000 | 1 | ポリオイラークミ | POLY OILER ASSY | |
| 19 | 145277205 | 1 | オイルタンク | OIL TANK | |
| 24 | 142262001 | 1 | クサリフクミ | CHAIN, F ASSY | |
| 25 | 122991001 | 1 | フゾクヒンポリフクロ | ACCESSORY BAG | |
| 27 | S20718000 | 1 | トウブウケ | HEAD PLATE | |
| 29 | S35997001 | 4 | カクネボルト8X85 | BOLT, M8X85 | |
| 31 | 213650001 | 4 | ワ2.3X8.5X385T | WASHER, 2.3X8.5X385T | |
| 32 | 028080242 | 4 | バネザガネ2-8 | WASHER, SPRING 2-8 | |
| 33 | 021080106 | 4 | ナツト1シユ8 | NUT, 1 M8 | |
| 34 | S20719000 | 4 | クツシヨン | CUSHION | |
| 39 | S06704001 | 1 | シリコンオイル | _____ | |
| 40 | S20769000 | 1 | ジヨ-ゴ | FUNNEL | |
| 41 | 144225002 | 1 | トウブカバー | HEAD COVER | |
| 48-1 | 147919051 | 1 | ボウシンゴム | RUBBER CUSHION | |
| 48-2 | 147919052 | 3 | ボウシンゴム | RUBBER CUSHION | |
| 56 | 183797009 | 1 | ダスターシユートクミ | DUSTER CHUTE ASSY | |
| 57 | 031411304 | 3 | マルモクネジ4.1X13 | WOOD SCREW, ROUND M4.1X13 | |
| 58 | S23353001 | 1 | ダスターシユートササエS | DUSTER SHOOT SUPPORT, S | |
| 59 | 062400612 | 2 | ナベコM4X6 | SCREW, PAN M4X6 | |
| 60 | 025040332 | 2 | ヒラザガネダイ4 | WASHER, PLAIN L 4 | |
| 65 | S38645001 | 1 | ベルトカバークミ | BELT COVER ASSY | |
| 66 | 062061412 | 3 | ナベコ6X14 | SCREW, PAN M6X14 | |
| 67 | S20412000 | 1 | ゴムセン3.7 | RUBBER CAP, 3.7 | |
| 68 | S08956100 | 1 | オイルフィルター | _____ | |
| 69 | 147893009 | 1 | オサエアゲフミイタ | _____ | |
| 70 | 021400106 | 2 | ナツト1シユ4 | _____ | |
| 71 | 062401406 | 2 | ナベコ4X14 | _____ | |
| 72 | 116016001 | 2 | ペタルトメ | _____ | |
| 91 | S20118151 | 1 | カラヌイメス | TRIMMING KNIFE | |
| 92 | 060300512 | 1 | <V81A> バインドM3X5 | <V81A> SCREW, BIND M3X5 | |
| 92 | 060300412 | 1 | <V82A> バインドM3X4 | <V82A> SCREW, BIND M3X4 | |
| 39 | S06704001 | 1 | _____ | <OPTION PARTS> SILICONE OIL | |
| 68 | S08956100 | 1 | _____ | OIL FILTER | |
| 69 | 147893009 | 1 | _____ | TREADLE PEDAL | |
| 70 | 021400106 | 2 | _____ | NUT, 1M4 | |
| 71 | 062401406 | 2 | _____ | SCREW, PAN M4X14 | |
| 72 | 116016001 | 2 | _____ | PEDAL STOPPER | |



" オプション部品 / OPTION PARTS "

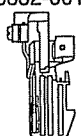
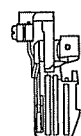
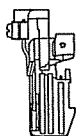
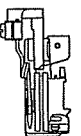
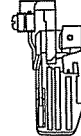
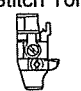


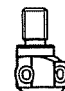




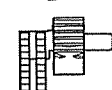
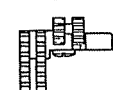
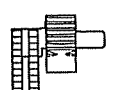
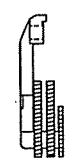
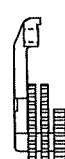
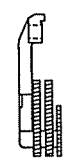
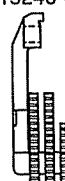

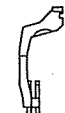




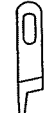
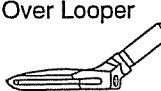


- ◎ 付属品の明細は変更することがあります。
- ◎ The details of included accessories are subject to change.
- ◎ Änderungen in der Aufstellung der Mitgelieferten Zubehöre sind vorbehalten.
- ◎ Les détails des accessoires inclus sont sujets à des changements.
- ◎ Los detalles de los accesorios incluidos pueden variar.

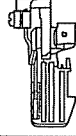
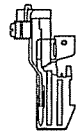
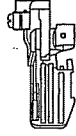

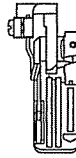
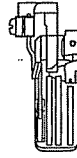
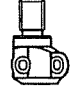


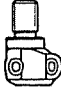

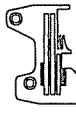
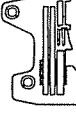


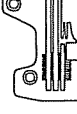
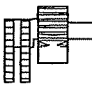
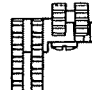
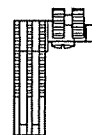
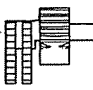
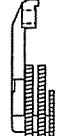



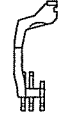
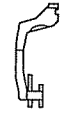






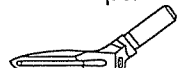
Z. 付属品関係 / Accessories

| REF.NO. | CODE | Q'TY | ヒンメイ | NAME OF PARTS | RM |
|---------|-----------|------|---------------|-------------------------------|----|
| 42 | S29854109 | 1 | イトタテダイクミ4DTHF | COTTON STAND ASSY, 4DTHF | |
| 42-1 | 150180001 | 4 | ウケザラ | SPOOL STAND BASE | |
| 42-2 | 150182000 | 4 | スプールのマット | SPOOL MAT | |
| 42-3 | 126863001 | 4 | スプールのクッション | SPOOL CUSHION | |
| 42-4 | S02775001 | 1 | パイプネジセットA | PIPE SCREW SET, A | |
| 42-4-1 | 150206002 | 1 | ヒラザガネ16 | WASHER, PLAIN 16 | |
| 42-4-2 | S38648001 | 1 | 6カクナツトU5/8 | NUT, U5/8-28 | |
| 42-5 | S04109001 | 1 | イトアンナイササエボウ | THREAD GUIDE SUPPORT BAR | |
| 42-6 | 142998001 | 1 | イトアンナイ4 | THREAD GUIDE, 4 | |
| 42-7 | S40640001 | 1 | コラムパイプキャップツキ | COLUMN PIPE WITH CAP | |
| 42-7-1 | 150174000 | 1 | コラムキャップ | COLUMN CAP | |
| 42-8 | 156112003 | 1 | コラムパイプD | COLUMN PIPE, D | |
| 42-9 | 150173003 | 1 | コラムジョイント | COLUMN JOINT | |
| 42-10 | S21798001 | 4 | スプールのネジセット | SPOOL SCREW SET | |
| 42-10-1 | 150179002 | 4 | スプールのジクB | SPOOL SHAFT, B | |
| 42-10-2 | 028050246 | 4 | バネザガネ2-5 | WASHER, SPRING 2-5 | |
| 42-10-3 | 021500106 | 4 | 1シユナツト5 | NUT, 1 M5 | |
| 42-11 | 150185009 | 1 | イトアンナイホルダー | THREAD GUIDE HOLDER | |
| 42-12 | 138843001 | 1 | ササエボウツギテ | JOINT | |
| 42-13 | S02778002 | 2 | スプールのホルダー2 | SPOOL HOLDER, 2 | |
| 42-14 | S02786002 | 2 | スレツドハンガークミ2 | THREAD HANGER ASSY, 2 | |
| 42-15 | S40641001 | 1 | スプールのジクネジセットA | SPOOL SCREW SET, A | |
| 42-15-1 | 021500106 | 4 | 1シユナツト5 | NUT, 1 M5 | |
| 42-15-2 | S37038001 | 1 | ナベコヒラザ5X14 | SCREW, PAN (S/P WASHER) M5X14 | |
| 42-15-3 | S37037001 | 1 | ナベコヒラザ5X32 | SCREW, PAN (S/P WASHER) M5X32 | |
| 42-15-4 | 062501406 | 2 | ナベコ5X14 | SCREW, PAN M5X14 | |
| 42-16 | S40642001 | 1 | スプールのジクネジセットB | SPOOL SCREW SET, B | |
| 42-16-1 | 021500106 | 2 | 1シユナツト5 | NUT, 1 M5 | |
| 42-16-2 | S37038001 | 1 | ナベコヒラザ5X14 | SCREW, PAN (S/P WASHER) M5X14 | |
| 42-16-3 | S37037001 | 1 | ナベコヒラザ5X32 | SCREW, PAN (S/P WASHER) M5X32 | |
| 42-17 | S40643001 | 1 | ホルダーツギテネジセット | HOLDER JOINT SCREW SET | |
| 42-17-1 | 014060632 | 2 | アナトメ6X6クボミ | SET SCREW, SOCKET (CP) M6X6 | |
| 42-17-2 | 021500106 | 1 | 1シユナツト5 | NUT, 1 M5 | |
| 64 | 183798001 | 1 | フルサブマージセット | FULL SUBMERGED SET | |
| 64-1 | S20721001 | 1 | トウブウケササエ | HEAD PLATE SUPPORT | |
| 64-2 | 153318201 | 4 | カクネマルアタマボルト | BOLT | |
| 64-3 | S35997001 | 1 | カクネボルト8X85 | BOLT, M8X85 | |
| 64-4 | S36007001 | 1 | カクネボルト8X55 | BOLT, M8X55 | |
| 64-5 | 017085502 | 1 | ボルトM8X55 | BOLT, M8X55 | |
| 64-6 | 025080236 | 11 | ヒラザガネチユウ8 | WASHER, PLAIN M 8 | |
| 64-7 | 028080242 | 7 | バネザガネ2-8 | WASHER, SPRING 2-8 | |
| 64-8 | 021080106 | 15 | ナツト1シユ8 | NUT, 1 M8 | |
| 64-9 | 213650001 | 8 | ワ2.3X8.5X38ST | WASHER, 2.3X8.5X38ST | |
| 64-10 | S20722001 | 1 | ダスターシュートササエL | DUSTER SHOOT SUPPORT, L | |
| 64-11 | 060400812 | 2 | バインドM4X8 | SCREW, BIND M4X8 | |
| 64-12 | 060400812 | 3 | バインドM4X8 | SCREW, BIND M4X8 | |

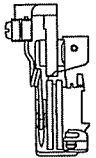
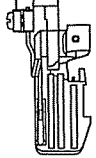

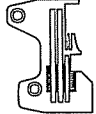
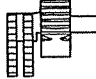
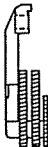
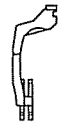
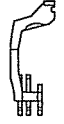


Ga1 . ゲージ部品一覧表 / Gauge parts List

| 用途 Application | 一般地縫用 (1本外シ) Thin Medium (Mock-Safety) | デニム用 (1本外シ) Heavy (Mock-Safety) | シャーリング用 (1本外シ) Shirring (Mock-Safety) | テープ用 Taping | パイピング シャーリング用 Shirring W / Piping | 一般地縫用 Thin Medium |
|-------------------------------------------------------------------------------------------------------------|-------------------------------------------------------------------------------------------------------------------------------------------------------------|----------------------------------------------------------------------------------------------------------------------------------------|--------------------------------------------------------------------------------------------------------------------------------------------|------------------------------------------------------------------------------------------------------------------------------------------|-------------------------------------------------------------------------------------------------------------------------|--------------------------------------------------------------------------------------------------------------------------------------------------------------------------------------------------------------------|
| 機種 Model | V82A | V82A | V82A | V82A | V82A | V81A |
| サブクラス Sub-Class H=High-Lift E=Extra High-Lift | M020-24-H8F -25-H8F -26-H8F -27-H8F | M050-36-E3V -37-E3V | M420-25-E8F -26-E8F | M520-25-E8F -26-E8F | M620-25-E8F | W020-24-H8F -25-H8F -26-H8F -27-H8F |
| 針巾 (mm) Needle Gauge | 2.2 | 3 | 2.2 | | | |
| 1 針 Needle | 151474-011 | 151474-018 | 151474-011 | | | |
| 2 押工組 Presser Foot Assy | S25830-001 (4) S19351-001 (5) S19353-001 (6) S25832-001 (7)  | S25844-001 (7)  | S19351-001 (5) S19353-001 (6)  | S20873-001 (5) S20875-001 (6) S25836-001 (7)  | S20837-001 (5) S19355-001 (6)  | S25829-001 (4) (S25544-001) S19531-001 (5) (S19976-001) S19532-001 (6, 7) (S19283-001) (ツメ Stitch Tongue)  |
| 3 針止め組 Needle Clamp Assy | S20398-001  | S20402-001  | S20398-001  | | | |
| 4 針板 Needle Plate | S25527-001 (4) S19169-001 (5) S19170-001 (6) S25193-001 (7)  | S19165-001 (6) S24664-001 (7)  | S19169-001 (5) S19170-001 (6) S25193-001 (7)  | | | S25527-001 (4) S19169-001 (5) S19170-001 (6) S25193-001 (7)  |
| 5 主送り歯組 Main Feed Dog Assy 主送り歯 (Main Feed Dog) 補助送り歯 (Chain Feed Dog) | S19212-001 (S19213-001) (S19204-001) B  | S21392-001 (S21393-001) (S21394-001) J  | S19212-001 (S19213-001) (S19204-001) B  | | | |
| 6 差動送り歯 Differential Feed Dog | S19248-001  | S21395-001  | S19248-001  | | | S19240-001  |
| 7 上送り歯 Upper Feed Dog | S19401-001  | | | S20877-001  | S19401-001  | S19400-001  |
| 8 上メス Upper Knife 角メス Angle Knife | 上メス Upper knife 144074-350  | 角メス Angle knife S20897-101 7.8  | 上メス Upper knife 144074-350  | | | |
| 9 上ルーパ Over Looper  | S20436-001 F | S20442-001 R | S20442-001 R | S20436-001 F | S20442-001 R | S20424-001 B |




Ga2 . ゲージ部品一覧表 / Gauge parts List

| 用途 Application | 一般地縫用 Thin Medium | 一般地縫用 (小回り用) Thin Medium (Small type) | デニム用 Heavy | バルキーニット用 Bulky Knit | | シャーリング用 Shirring |
|--------------------------------------------------------------------------------------------------------------|-------------------------------------------------------------------------------------------------------------------------------------------------------------|-----------------------------------------------------------------------------------------------------------------------|----------------------------------------------------------------------------------------------------------------------------------------|--------------------------------------------------------------------------------------------------------------------------------------------|---------------------------------------------------------------------------------------------------------------------------------------------|---------------------------------------------------------------------------------------------------------------------------------------------|
| 機種 Model | V82A | V82A | V82A | V82A | V82A | V82A |
| サブクラス Sub-Class H=High-Lift E=Extra High-Lift | W020-24-H8F -25-H8F -26-H8F -27-H8F | W021-25-H8F -26-H8F | W050-36-E3V -37-E3V | W060-25-E4V -26-E4V -27-E4V | W060-X5-E4V -X6-E4V -X7-E4V | W420-25-E8F -26-E8F |
| 針巾 (mm) Needle Gauge | 2.2 | | | 2.5 | | 2.2 |
| 1 針 Needle | 151474-011 | | 151474-018 | 151474-014 | | |
| 2 押工組 Presser Foot Assy | S25830-001 (4) S19351-001 (5) S19353-001 (6) S25832-001 (7)  | S25086-001 (5) S25088-001 (6)  | S25834-001 (6) S25844-001 (7)  | S25838-001 (5) S25644-001 (6) S25840-001 (7)  | S25842-001 (5) S24683-001 (6) S24684-001 (7)  | S19351-001 (5) S19353-001 (6)  |
| 3 針止め組 Needle Clamp Assy | S20398-001  | | S20402-001  | S20398-001  | S20400-001  | S20398-001  |
| 4 針板 Needle Plate | S25527-001 (4) S19169-001 (5) S19170-001 (6) S25193-001 (7)  | | S19165-001 (6) S24664-001 (7)  | S25528-001 (5) S19188-001 (6) S25529-001 (7)  | S25667-001 (5) S19189-001 (6) S19190-001 (7)  | S19169-001 (5) S19170-001 (6) S25193-001 (7)  |
| 5 主送り歯組 Main Feed Dog Assy (主送り歯 Main Feed Dog) (補助送り歯 Chain Feed Dog) | S19212-001 (S19213-001) (S19204-001) B  | | S21392-001 (S21393-001) (S21394-001) J  | S24680-001 (S24681-001) (S19201-001) A  | S19212-001 (S19213-001) (S19204-001) B  | |
| 6 差動送り歯 Differential Feed Dog | S19248-001  | | S21395-001  | S24682-101  | S19248-001  | |
| 7 上送り歯 Upper Feed Dog | S19401-001  | S25097-001  | S19401-001  | S24687-001  | S19401-001  | |
| 8 上メス Upper Knife 角メス Angle Knife | 上メス Upper knife 144074-350  | | 角メス Angle knife S20897-101  | | | 上メス Upper knife 144074-350  |
| 9 上ルーパ Over Looper  | S20424-001 B | | S49054-001 S | S49054-001 S | S20440-101 K | S49054-001 S |

Ga3 . ゲージ部品一覧表 / Gauge parts List

| 用途 Application | テープ用 Taping | パイピング シャーリング用 Shirring W / Piping |
|-------------------------------------------------------------------------------------------------------------|-------------------------------------------------------------------------------------------------------------------------------------------------|---------------------------------------------------------------------------------------------------------------------------|
| 機種 Model | V82A | V82A |
| サブクラス Sub-Class H=High-Lift E=Extra High-Lift | W520-25-E8F -26-E8F -27-E8F | W620-25-E8F -26-E8F |
| 針巾 (mm) Needle Gauge | 2.2 | |
| 1 針 Needle | 151474-011 | |
| 2 押工組 Presser Foot Assy | S20873-001 (5) S20875-001 (6) S25836-001 (7)  | S20837-001 (5) S19355-001 (6)  |
| 3 針止め組 Needle Clamp Assy | S20398-001  | |
| 4 針板 Needle Plate | S19169-001 (5) S19170-001 (6) S25193-001 (7)  | |
| 5 主送り歯組 Main Feed Dog Assy (主送り歯 Main Feed Dog) (補助送り歯 Chain Feed Dog) | S19212-001 (S19213-001) (S19204-001) B  | |
| 6 差動送り歯 Differential Feed Dog | S19248-001  | |
| 7 上送り歯 Upper Feed Dog | S20877-001  | S19401-001  |
| 8 上メス Upper Knife | 144074-350  | |
| 9 上ルーパ Over Looper  | S20424-001 B | S49054-001 S |

Wa. 警告ラベル / Warning labels

| 警告ラベル / Warning labels | 品名 / Name of parts | Size(mm) | Code |
|-----------------------------------------------------------------------------------|---------------------------|----------|------------|
|  | 操作注意ラベル・和 | 40×64 | S38350-001 |
|  | Label, operation Eng. | 40×64 | S38349-001 |
|  | アースマーク Mark, grounding | ø12 | S37060-001 |

878-V8A,B-052

索引 / INDEX

| CODE | REF.NO. | Page |
|-----------|------------|------|
| S00075000 | A -66 | 4 |
| S00204001 | F -99 | 20 |
| S01943001 | Z -7 | 42 |
| S02573000 | E -38 | 14 |
| S02606000 | A -3 | 2 |
| S02775001 | Z -42-4 | 44 |
| S02778002 | Z -42-13 | 44 |
| S02786002 | Z -42-14 | 44 |
| S02874001 | P -1-3 | 34 |
| S04109001 | Z -42-5 | 44 |
| S06701000 | Z -18 | 42 |
| S06704001 | Z -39 | 42 |
| | Z -39 | 42 |
| S07463000 | L -51 | 30 |
| S07477009 | A -84 | 4 |
| S08956100 | L -8 | 28 |
| | Z -68 | 42 |
| | Z -68 | 42 |
| S08957001 | L -7 | 28 |
| S12987002 | L -10 | 28 |
| S19165001 | Ga1 -4 | 45 |
| S19169001 | R -7-2 | 40 |
| | Ga1 -4 | 45 |
| | Ga2 -4 | 46 |
| S19170001 | Ga1 -4 | 45 |
| | Ga2 -4 | 46 |
| S19188001 | Ga3 -4 | 47 |
| S19189001 | Ga3 -4 | 47 |
| S19190001 | Ga3 -4 | 47 |
| S19201001 | Ga3 -5 | 47 |
| S19204001 | Ga1 -5 | 45 |
| | Ga2 -5 | 46 |
| S19212001 | R -7-4 | 40 |
| | Ga1 -5 | 45 |
| | Ga2 -5 | 46 |
| S19213001 | Ga1 -5 | 45 |
| | Ga2 -5 | 46 |
| S19240001 | Ga1 -6 | 45 |
| S19248001 | R -7-5 | 40 |
| | Ga1 -6 | 45 |
| | Ga2 -6 | 46 |
| S19279001 | D -50-1-4 | 12 |
| S19283001 | Ga1 -2 | 45 |
| S19346001 | D -50-1-1 | 12 |
| | D -50-5-1 | 12 |
| | D -50-10-1 | 12 |
| S19351001 | R -7-3 | 40 |
| | Ga1 -2 | 45 |
| | Ga2 -2 | 46 |
| S19353001 | Ga1 -2 | 45 |
| | Ga2 -2 | 46 |
| S19355001 | Ga2 -2 | 46 |
| S19400001 | Ga1 -7 | 45 |
| S19401001 | R -7-6 | 40 |
| | Ga1 -7 | 45 |
| | Ga2 -7 | 46 |
| S19496001 | D -50-1-2 | 12 |
| S19531001 | Ga1 -2 | 45 |
| S19532001 | Ga1 -2 | 45 |
| S19535001 | D -51 | 12 |
| | D -51 | 12 |
| | D -51 | 12 |
| S19976001 | Ga1 -2 | 45 |

| CODE | REF.NO. | Page |
|-----------|------------|------|
| S20118151 | Z -91 | 42 |
| S20130009 | R -5-6 | 40 |
| S20131009 | R -5-6-1 | 40 |
| S20134001 | R -5-6-1-1 | 40 |
| S20135001 | R -5-6-1-2 | 40 |
| S20139101 | F -1 | 18 |
| S20144000 | F -3 | 18 |
| S20145001 | F -4 | 18 |
| S20146001 | F -8 | 18 |
| S20147001 | F -13 | 18 |
| S20151001 | F -15 | 18 |
| S20152001 | F -14 | 18 |
| S20153001 | F -17 | 18 |
| | F -54 | 20 |
| S20154001 | F -21 | 18 |
| S20155000 | F -59 | 20 |
| S20156000 | F -23 | 18 |
| | F -60 | 20 |
| S20157001 | F -26 | 18 |
| S20158101 | F -13-2 | 18 |
| | F -52-2 | 20 |
| | L -53 | 30 |
| | L -56 | 30 |
| S20159001 | F -30 | 18 |
| S20160001 | F -32 | 18 |
| | F -71 | 20 |
| S20161101 | F -34 | 18 |
| S20162001 | F -36 | 18 |
| S20163001 | F -42 | 18 |
| S20165001 | F -45 | 18 |
| S20168001 | F -52 | 20 |
| S20172001 | F -53 | 20 |
| S20174001 | F -58 | 20 |
| S20175101 | F -5 | 18 |
| | F -13-1 | 18 |
| | F -18 | 18 |
| | F -52-1 | 20 |
| | F -55 | 20 |
| S20176001 | F -64 | 20 |
| S20177001 | F -69 | 20 |
| S20178001 | L -57 | 30 |
| S20179001 | F -72 | 20 |
| S20180001 | L -29 | 28 |
| S20181001 | F -82 | 20 |
| S20182001 | F -82-1 | 20 |
| S20183001 | F -84 | 20 |
| S20184101 | F -50 | 18 |
| S20189001 | F -33 | 18 |
| | F -83 | 20 |
| | F -104 | 20 |
| S20191001 | F -82-3 | 20 |
| S20193001 | F -92 | 20 |
| S20194001 | F -95 | 20 |
| S20195001 | F -97 | 20 |
| S20197001 | F -24 | 18 |
| | F -28 | 18 |
| | F -62 | 20 |
| | F -67 | 20 |
| S20199001 | L -14 | 28 |
| | L -16 | 28 |
| | L -18 | 28 |
| S20200001 | L -30 | 28 |
| S20201001 | F -101 | 20 |

| CODE | REF.NO. | Page |
|-----------|-----------|------|
| S20202001 | F -100 | 20 |
| S20204001 | A -2 | 2 |
| S20207101 | A -57 | 4 |
| S20208001 | A -56 | 4 |
| S20209001 | D -20 | 10 |
| S20213000 | L -40 | 30 |
| S20214000 | L -42 | 30 |
| S20215001 | L -43 | 30 |
| S20216000 | L -45 | 30 |
| S20217001 | L -46 | 30 |
| S20218001 | L -49 | 30 |
| S20219001 | L -50 | 30 |
| S20220001 | L -52 | 30 |
| S20221000 | L -54 | 30 |
| S20222001 | L -55 | 30 |
| S20268001 | D -50-5-4 | 12 |
| S20298001 | D -36 | 10 |
| S20300101 | L -4 | 28 |
| S20301001 | L -4-3 | 28 |
| S20303000 | L -4-4 | 28 |
| S20306000 | A -5 | 2 |
| S20309101 | A -11 | 2 |
| S20310001 | A -13 | 2 |
| S20311000 | A -14 | 2 |
| S20313000 | A -20 | 2 |
| S20314000 | A -21 | 2 |
| S20319001 | A -27-3 | 2 |
| S20320101 | A -27-5 | 2 |
| S20321001 | A -27-6 | 2 |
| S20323101 | A -29 | 2 |
| S20324101 | A -33 | 2 |
| S20325001 | A -35 | 2 |
| S20327101 | A -27-8 | 2 |
| S20328001 | A -37 | 2 |
| S20330100 | A -39 | 2 |
| S20331001 | A -40 | 2 |
| S20334000 | A -43 | 2 |
| S20337001 | A -59 | 4 |
| S20338200 | A -61 | 4 |
| S20339000 | A -62 | 4 |
| S20340001 | A -69 | 4 |
| S20342001 | A -70 | 4 |
| S20344009 | A -74 | 4 |
| S20345009 | A -10 | 2 |
| | A -75 | 4 |
| S20346000 | A -80 | 4 |
| S20353000 | B -21 | 6 |
| S20355002 | H -9-2-2 | 24 |
| | R -5-13 | 40 |
| S20356001 | B -11 | 6 |
| S20357000 | B -30 | 6 |
| S20361001 | B -17 | 6 |
| S20362151 | B -18 | 6 |
| S20386101 | C -7 | 8 |
| S20391001 | C -7-4 | 8 |
| S20392000 | C -7-5 | 8 |
| | L -34 | 28 |
| S20393101 | C -8 | 8 |
| S20398001 | R -7-1 | 40 |
| | Ga1 -3 | 45 |
| | Ga2 -3 | 46 |
| | Ga3 -3 | 47 |
| S20400001 | Ga3 -3 | 47 |

| CODE | REF.NO. | Page |
|-----------|---------|------|
| S20402001 | Ga1 -3 | 45 |
| S20412000 | A -48 | 2 |
| | A -55 | 4 |
| | Z -67 | 42 |
| S20413051 | C -18 | 8 |
| S20414001 | C -20 | 8 |
| S20415101 | C -22 | 8 |
| S20416101 | C -23 | 8 |
| S20424001 | Ga1 -9 | 45 |
| | Ga2 -9 | 46 |
| S20436001 | Ga1 -9 | 45 |
| | Ga2 -9 | 46 |
| S20440101 | Ga3 -9 | 47 |
| S20442001 | Ga1 -9 | 45 |
| | Ga2 -9 | 46 |
| S20453001 | P -1 | 34 |
| S20454000 | P -1-1 | 34 |
| S20455000 | P -1-2 | 34 |
| S20456000 | P -1-5 | 34 |
| S20459000 | P -1-6 | 34 |
| S20460000 | P -1-7 | 34 |
| | P -5-2 | 34 |
| S20461101 | P -5 | 34 |
| S20464000 | P -5-1 | 34 |
| S20467001 | P -5-5 | 34 |
| S20472001 | D -1 | 10 |
| S20477001 | D -4 | 10 |
| S20485001 | D -19 | 10 |
| S20489001 | D -23 | 10 |
| S20494001 | D -41 | 12 |
| S20496101 | E -1 | 14 |
| S20500001 | E -1-2 | 14 |
| | F -1-1 | 18 |
| S20500002 | E -1-2 | 14 |
| | F -1-1 | 18 |
| S20500003 | E -1-2 | 14 |
| | F -1-1 | 18 |
| S20507001 | E -3-1 | 14 |
| S20523000 | E -43 | 14 |
| S20524000 | E -44 | 14 |
| S20525001 | E -45 | 14 |
| S20526000 | E -47 | 14 |
| S20527001 | E -83 | 16 |
| S20530001 | E -30 | 14 |
| S20543101 | E -51 | 14 |
| S20544000 | E -52 | 14 |
| S20546001 | F -27 | 18 |
| | F -65 | 20 |
| S20547001 | E -55 | 16 |
| S20548001 | E -59 | 16 |
| S20554001 | E -58 | 16 |
| S20560001 | E -66 | 16 |
| | F -41 | 18 |
| | F -78 | 20 |
| S20561001 | E -67 | 16 |
| S20571101 | G -2 | 22 |
| S20574001 | G -8 | 22 |
| S20575001 | G -9-1 | 22 |
| S20576001 | G -9-2 | 22 |
| S20577001 | G -12 | 22 |
| S20578101 | G -13 | 22 |
| S20579101 | G -15-2 | 22 |
| S20580101 | G -17 | 22 |

| CODE | REF.NO. | Page |
|-----------|-----------|------|
| S20582001 | G -22 | 22 |
| | Z -4 | 42 |
| S20585001 | G -27 | 22 |
| S20598000 | H -2 | 24 |
| | J -3 | 26 |
| S20601001 | H -5 | 24 |
| S20621001 | F -105 | 20 |
| | J -4 | 26 |
| S20625151 | J -11 | 26 |
| S20627001 | J -14-1 | 26 |
| S20655101 | L -1 | 28 |
| S20657001 | L -4-1 | 28 |
| S20661001 | L -4-5 | 28 |
| S20662100 | L -4-6 | 28 |
| S20663000 | L -4-7 | 28 |
| S20666001 | L -17 | 28 |
| S20668200 | L -22 | 28 |
| S20669000 | L -24 | 28 |
| S20672001 | M -1 | 32 |
| S20673001 | M -11 | 32 |
| S20675001 | M -8 | 32 |
| S20676051 | M -9 | 32 |
| | R -2-1-5 | 36 |
| S20677000 | M -10 | 32 |
| S20678001 | M -14 | 32 |
| S20679001 | M -15 | 32 |
| S20681000 | M -17 | 32 |
| | R -2-1-7 | 36 |
| S20682101 | M -18-2 | 32 |
| S20682102 | M -18-4 | 32 |
| S20682103 | M -18-1 | 32 |
| S20682104 | M -18-3 | 32 |
| S20682105 | R -2-1-8 | 36 |
| S20683001 | M -19 | 32 |
| S20684101 | M -23 | 32 |
| S20685001 | M -25 | 32 |
| S20686001 | M -26 | 32 |
| S20687001 | M -37 | 32 |
| S20689001 | M -48 | 32 |
| S20690001 | M -49 | 32 |
| S20691001 | M -50 | 32 |
| S20692001 | M -51 | 32 |
| S20693001 | M -5 | 32 |
| S20718000 | Z -27 | 42 |
| S20719000 | Z -34 | 42 |
| S20721001 | Z -64-1 | 44 |
| S20722001 | Z -64-10 | 44 |
| S20740101 | E -46 | 14 |
| S20769000 | Z -40 | 42 |
| S20837001 | R -7-3 | 40 |
| | Ga2 -2 | 46 |
| S20842001 | D -50-1-2 | 12 |
| | D -50-5-2 | 12 |
| S20873001 | Ga2 -2 | 46 |
| S20875001 | Ga2 -2 | 46 |
| S20877001 | Ga2 -7 | 46 |
| S20878000 | A -19 | 2 |
| | A -82 | 4 |
| S20896101 | G -15-2 | 22 |
| S20897101 | G -15-2 | 22 |
| | Ga1 -8 | 45 |
| | Ga3 -8 | 47 |
| S20898101 | G -15-2 | 22 |

| CODE | REF.NO. | Page |
|-----------|-------------|------|
| S21091000 | E -81 | 16 |
| S21092000 | E -81-1 | 16 |
| S21127001 | M -38 | 32 |
| S21128001 | M -44 | 32 |
| S21129001 | M -40 | 32 |
| S21130051 | M -42 | 32 |
| S21133001 | M -28 | 32 |
| S21134001 | M -29 | 32 |
| S21135001 | M -31 | 32 |
| S21136101 | M -35 | 32 |
| S21137001 | M -33 | 32 |
| S21283001 | R -3-1-3 | 38 |
| | R -3-1-3 | 38 |
| S21294001 | R -2-1-1 | 36 |
| S21295001 | R -2-1-2 | 36 |
| S21297001 | R -2-1-12 | 36 |
| S21298001 | R -2-1-15 | 36 |
| S21299001 | R -2-1-17 | 36 |
| S21300001 | R -2-1-19 | 36 |
| S21301001 | R -2-1-23 | 36 |
| S21302001 | R -2-1-24 | 36 |
| S21303001 | R -2-1-26 | 36 |
| S21304001 | R -2-1-28 | 36 |
| S21305001 | R -2-1-3 | 36 |
| S21306001 | R -2-1-13 | 36 |
| S21307001 | R -2-1-14 | 36 |
| S21310001 | R -6-1 | 36 |
| S21311001 | R -6-2 | 36 |
| S21312001 | R -6-3 | 36 |
| S21313001 | R -6-6 | 36 |
| S21314001 | R -6-7 | 36 |
| S21315001 | R -6-9 | 36 |
| S21316001 | R -6-11 | 36 |
| S21336101 | Q -1 | 34 |
| S21341001 | Q -1-6 | 34 |
| S21365001 | R -2-1 | 36 |
| S21366001 | R -2-1-9 | 36 |
| S21368001 | R -5-10 | 40 |
| S21369001 | R -5-12 | 40 |
| S21370001 | R -5-3 | 40 |
| S21372001 | R -5-3 | 40 |
| S21374101 | R -3-2-1 | 38 |
| S21376001 | R -3-1-1-9 | 38 |
| | R -3-2-1-9 | 38 |
| S21377001 | R -3-1-1-11 | 38 |
| | R -3-2-1-11 | 38 |
| S21378001 | R -3-1-1-12 | 38 |
| | R -3-2-1-12 | 38 |
| S21382001 | R -3-1-1-16 | 38 |
| | R -3-1-1-16 | 38 |
| S21384001 | R -3-1-4 | 38 |
| | R -3-1-4 | 38 |
| S21385001 | R -3-1-2 | 38 |
| | R -3-1-2 | 38 |
| S21387101 | R -3-1-1 | 38 |
| S21388001 | R -3-1-1-2 | 38 |
| | R -3-2-1-2 | 38 |
| S21392001 | Ga1 -5 | 45 |
| S21393001 | Ga1 -5 | 45 |
| S21394001 | Ga1 -5 | 45 |
| S21395001 | Ga1 -6 | 45 |
| S21590000 | R -2-4 | 36 |
| S21798001 | Z -42-10 | 44 |

| CODE | REF.NO. | Page |
|-----------|------------|------|
| S23337009 | A -7 | 2 |
| | A -83 | 4 |
| S23341009 | D -31 | 10 |
| | F -98 | 20 |
| S23342001 | C -1-2 | 8 |
| | C -7-1 | 8 |
| | G -1-3 | 22 |
| | H -9-1-1 | 24 |
| S23346101 | H -1-2 | 24 |
| | J -1-2 | 26 |
| S23349001 | D -45 | 10 |
| S23350001 | A -63 | 4 |
| S23351001 | A -65 | 4 |
| S23353001 | Z -58 | 42 |
| S23356001 | Z -10 | 42 |
| S23357001 | A -79 | 4 |
| S23360001 | E -37 | 14 |
| | E -42 | 14 |
| S23364000 | D -44 | 10 |
| S23367001 | A -16 | 2 |
| S23418002 | A -60 | 4 |
| | C -21 | 8 |
| | M -27 | 32 |
| | P -2 | 34 |
| | R -2-5 | 36 |
| S23452002 | M -22 | 32 |
| S23453001 | E -84 | 16 |
| S23458101 | E -7 | 14 |
| S23460001 | L -4-11 | 28 |
| S23611101 | H -15 | 24 |
| S23612051 | E -73 | 16 |
| S23614101 | J -12 | 26 |
| S23615001 | E -5 | 14 |
| S23616101 | A -25-2 | 2 |
| | E -82 | 16 |
| S23619001 | F -12 | 18 |
| | G -6 | 22 |
| | H -6 | 24 |
| S23621101 | E -72 | 16 |
| | E -76 | 16 |
| | E -78 | 16 |
| | F -103 | 20 |
| | G -16-1 | 22 |
| S23626001 | H -7 | 24 |
| | J -6 | 26 |
| S23628051 | E -71 | 16 |
| S23651002 | R -2-1-18 | 36 |
| | R -5-11 | 40 |
| S23773001 | Q -1-2 | 34 |
| S23774001 | R -6-8 | 36 |
| S23775001 | R -2-1-6 | 36 |
| S23777101 | R -2-1-4 | 36 |
| S23779001 | R -2-6 | 36 |
| S23896101 | Q -1-1 | 34 |
| S23897001 | Q -1-4 | 34 |
| S24664001 | Ga1 -4 | 45 |
| S24680001 | Ga3 -5 | 47 |
| S24681001 | Ga3 -5 | 47 |
| S24682101 | Ga3 -6 | 47 |
| S24683001 | Ga3 -2 | 47 |
| S24684001 | Ga3 -2 | 47 |
| S24687001 | Ga3 -7 | 47 |
| S25083001 | D -50-10-2 | 12 |

| CODE | REF.NO. | Page |
|-----------|------------|------|
| S25086001 | Ga1 -2 | 45 |
| S25088001 | Ga1 -2 | 45 |
| S25097001 | Ga1 -7 | 45 |
| S25181001 | A -92 | 4 |
| S25193001 | Ga1 -4 | 45 |
| | Ga2 -4 | 46 |
| S25526000 | L -35 | 28 |
| S25527001 | Ga1 -4 | 45 |
| S25528001 | Ga3 -4 | 47 |
| S25529001 | Ga3 -4 | 47 |
| S25530001 | B -1-1 | 6 |
| S25544001 | Ga1 -2 | 45 |
| S25644001 | Ga3 -2 | 47 |
| S25667001 | Ga3 -4 | 47 |
| S25818051 | E -61 | 16 |
| | F -46 | 18 |
| | F -79 | 20 |
| S25829001 | Ga1 -2 | 45 |
| S25830001 | Ga1 -2 | 45 |
| S25832001 | Ga1 -2 | 45 |
| S25834001 | Ga1 -2 | 45 |
| S25836001 | Ga2 -2 | 46 |
| S25838001 | Ga3 -2 | 47 |
| S25840001 | Ga3 -2 | 47 |
| S25842001 | Ga3 -2 | 47 |
| S25844001 | Ga1 -2 | 45 |
| S25879001 | L -32 | 28 |
| S27868001 | B -16 | 6 |
| S28044009 | F -11 | 18 |
| S29094001 | E -69 | 16 |
| S29132001 | F -43 | 18 |
| S29700000 | H -9-3 | 24 |
| S29854109 | Z -42 | 44 |
| S29933000 | P -5-3 | 34 |
| S29934000 | P -5-4 | 34 |
| S30137001 | R -6 | 36 |
| S30401001 | R -2 | 36 |
| S30402101 | R -3-1 | 38 |
| S30402102 | R -3-2 | 38 |
| S30404001 | R -5 | 40 |
| S30407001 | R -7 | 40 |
| S30408001 | R -7 | 40 |
| S30409101 | R -A | 40 |
| S30410101 | R -A | 40 |
| S30517101 | A -73 | 4 |
| S30562000 | E -18 | 14 |
| S31113101 | R -A | 40 |
| S31114101 | R -A | 40 |
| S34326000 | B -23 | 6 |
| S35997001 | Z -29 | 42 |
| | Z -64-3 | 44 |
| S36007001 | Z -64-4 | 44 |
| S37037001 | Z -42-15-3 | 44 |
| | Z -42-16-3 | 44 |
| S37038001 | Z -42-15-2 | 44 |
| | Z -42-16-2 | 44 |
| S37060001 | Wa | 48 |
| S37070121 | D -34 | 10 |
| S38312050 | E -24 | 14 |
| S38320100 | H -9-2-1 | 24 |
| S38330050 | M -46 | 32 |
| S38349001 | Wa | 48 |
| S38350001 | Wa | 48 |

| CODE | REF.NO. | Page |
|-----------|-----------|------|
| S38645001 | Z -65 | 42 |
| S38648001 | Z -42-4-2 | 44 |
| S39564021 | A -23 | 2 |
| S39565101 | B -24 | 6 |
| S39571021 | C -10 | 8 |
| S39577000 | D -2-1 | 10 |
| S39589021 | E -8 | 14 |
| S39593021 | E -54 | 16 |
| S39596021 | E -54-1 | 16 |
| S39607001 | A -8 | 2 |
| S39611001 | A -27 | 2 |
| S39612001 | A -27-1 | 2 |
| S39613001 | A -27-2 | 2 |
| S39625151 | A -49 | 2 |
| S39629021 | B -3 | 6 |
| S39630000 | B -10 | 6 |
| S39631000 | B -20 | 6 |
| S39644021 | C -2 | 8 |
| S39645021 | C -3 | 8 |
| S39646021 | C -4 | 8 |
| S39647000 | C -5 | 8 |
| S39648021 | C -9 | 8 |
| S39649021 | C -14 | 8 |
| S39650051 | C -16 | 8 |
| S39653051 | C -24 | 8 |
| S39660001 | D -7 | 10 |
| S39661001 | D -8 | 10 |
| S39662001 | D -9 | 10 |
| S39663021 | D -11 | 10 |
| S39664001 | D -12 | 10 |
| S39665001 | D -15 | 10 |
| S39671101 | D -26 | 10 |
| S39672001 | D -29 | 10 |
| S39674001 | E -9 | 14 |
| S39675001 | E -10 | 14 |
| S39676121 | E -15 | 14 |
| S39677021 | E -16 | 14 |
| | F -10 | 18 |
| | G -5 | 22 |
| | H -4 | 24 |
| | J -9 | 26 |
| S39678021 | E -17 | 14 |
| S39679001 | E -20 | 14 |
| S39683000 | E -26 | 14 |
| S39684021 | E -27 | 14 |
| S39685001 | E -28 | 14 |
| S39690021 | E -36 | 14 |
| | E -41 | 14 |
| S39691001 | E -39 | 14 |
| S39692021 | E -50 | 14 |
| S39694021 | E -64 | 16 |
| | F -39 | 18 |
| | F -76 | 20 |
| S39695001 | E -65 | 16 |
| | F -40 | 18 |
| | F -77 | 20 |
| S39704021 | G -4 | 22 |
| S39707001 | G -19 | 22 |
| S39708001 | G -25 | 22 |
| S39709021 | G -28 | 22 |
| S39728021 | F -9 | 18 |
| | H -3 | 24 |
| | J -8 | 26 |

| CODE | REF.NO. | Page |
|-----------|----------|------|
| S39733001 | D -27 | 10 |
| S39769051 | E -40 | 14 |
| S39773001 | E -35 | 14 |
| S40640001 | Z -42-7 | 44 |
| S40641001 | Z -42-15 | 44 |
| S40642001 | Z -42-16 | 44 |
| S40643001 | Z -42-17 | 44 |
| S40866001 | J -14-2 | 26 |
| S42042021 | E -33 | 14 |
| S43453001 | A -97 | 4 |
| S43521000 | L -36-2 | 28 |
| S43522000 | L -36-1 | 28 |
| S43523000 | L -36 | 28 |
| S43916001 | E -48 | 14 |
| S44535001 | A -25-3 | 2 |
| S44536000 | A -24 | 2 |
| S44821001 | A -94 | 4 |
| S46839000 | D -24 | 10 |
| S46840001 | D -6 | 10 |
| S46841001 | D -53 | 10 |
| S46842001 | D -54 | 10 |
| S46843001 | D -56 | 10 |
| S46844001 | F -87 | 20 |
| S46849001 | D -21 | 10 |
| S46887001 | D -2 | 10 |
| S46889001 | D -5 | 10 |
| S46891001 | E -23 | 14 |
| S46895001 | E -68 | 16 |
| S46896001 | H -9 | 24 |
| S46899001 | C -7-2 | 8 |
| | D -22 | 10 |
| | H -9-1-2 | 24 |
| S46900001 | B -13 | 6 |
| S46901001 | H -9 | 24 |
| S46903001 | D -30 | 10 |
| | H -13 | 24 |
| S46904001 | J -5 | 26 |
| S46905001 | L -12 | 28 |
| S46907001 | Z -11 | 42 |
| S46908001 | D -5 | 10 |
| S46923001 | B -1 | 6 |
| S46931001 | C -1 | 8 |
| S46932001 | C -1 | 8 |
| S46933001 | G -1 | 22 |
| S46940001 | H -1 | 24 |
| S46941001 | J -1 | 26 |
| S46942001 | J -1 | 26 |
| S47031000 | F -22 | 18 |
| S49054001 | Ga1 -9 | 45 |
| | Ga2 -9 | 46 |
| | Ga3 -9 | 47 |
| S49337000 | L -28 | 28 |
| 004350812 | E -31 | 14 |
| 011502012 | D -47 | 10 |
| 012060632 | B -25 | 6 |
| | D -25 | 10 |
| | E -2 | 14 |
| | E -4 | 14 |
| | E -73-1 | 16 |
| | F -1-3 | 18 |
| | F -7 | 18 |
| | F -12-1 | 18 |
| | F -20 | 18 |

| CODE | REF.NO. | Page |
|-----------|-------------|------|
| 012060632 | F -57 | 20 |
| | F -93 | 20 |
| | G -6-1 | 22 |
| | H -6-1 | 24 |
| | R -6-4 | 36 |
| 012400432 | A -27-4 | 2 |
| | A -32 | 2 |
| | A -40-1 | 2 |
| | D -28 | 10 |
| | E -29 | 14 |
| | F -25 | 18 |
| | F -29 | 18 |
| | F -63 | 20 |
| | F -68 | 20 |
| | F -82-2 | 20 |
| | H -13 | 24 |
| | R -6-12 | 36 |
| 012400536 | L -4-2 | 28 |
| 012400632 | A -42 | 2 |
| | F -96 | 20 |
| 012400832 | A -31 | 2 |
| | E -32 | 14 |
| 012500532 | L -2 | 28 |
| 014060632 | Z -42-17-1 | 44 |
| 014780622 | R -3-1-1-6 | 38 |
| | R -3-1-1-19 | 38 |
| | R -3-1-1-19 | 38 |
| | R -3-2-1-6 | 38 |
| 017060812 | H -8 | 24 |
| | J -7 | 26 |
| 017061612 | C -1-3-1 | 8 |
| | G -1-2-1 | 22 |
| 017081606 | R -3-1-1-8 | 38 |
| | R -3-2-1-8 | 38 |
| 017085502 | Z -64-5 | 44 |
| 017500812 | G -26 | 22 |
| 017501212 | A -64 | 4 |
| 017781012 | R -3-1-1-4 | 38 |
| | R -3-1-1-10 | 38 |
| | R -3-1-1-13 | 38 |
| | R -3-1-1-15 | 38 |
| | R -3-1-1-15 | 38 |
| | R -3-2-1-4 | 38 |
| | R -3-2-1-10 | 38 |
| | R -3-2-1-13 | 38 |
| 018061432 | E -53 | 14 |
| | H -10 | 24 |
| | L -6 | 28 |
| 018061632 | E -8-1 | 14 |
| | E -34 | 14 |
| | E -40-1 | 14 |
| | E -60 | 16 |
| | F -31 | 18 |
| | F -70 | 20 |
| | F -86 | 20 |
| 018062532 | B -28 | 6 |
| | C -15 | 8 |
| | D -13 | 10 |
| 018401032 | R -2-3 | 36 |
| 018401622 | C -1-1-1 | 8 |
| | F -1-2 | 18 |
| | G -1-1 | 22 |
| | H -1-1 | 24 |

| CODE | REF.NO. | Page |
|-----------|-------------|------|
| 018401622 | J -1-1 | 26 |
| 018401632 | R -2-2 | 36 |
| 021060302 | R -2-1-20 | 36 |
| | R -2-7 | 36 |
| 021080106 | Z -33 | 42 |
| | Z -64-8 | 44 |
| 021350106 | F -51 | 18 |
| 021400106 | Z -70 | 42 |
| | Z -70 | 42 |
| 021400202 | F -91 | 20 |
| 021400212 | A -53 | 4 |
| | Q -1-5 | 34 |
| | R -2-1-22 | 36 |
| | R -6-10 | 36 |
| 021500106 | Z -42-10-3 | 44 |
| | Z -42-15-1 | 44 |
| | Z -42-16-1 | 44 |
| | Z -42-17-2 | 44 |
| 021500303 | R -6-7-1 | 36 |
| 021500312 | D -48 | 10 |
| 025030132 | G -14 | 22 |
| 025040132 | A -45 | 2 |
| | E -49 | 14 |
| | G -11 | 22 |
| | P -4 | 34 |
| 025040332 | Z -60 | 42 |
| 025050132 | A -72 | 4 |
| 025060236 | F -37 | 18 |
| | F -85 | 20 |
| 025060332 | D -14 | 10 |
| 025080236 | Z -64-6 | 44 |
| 025350332 | A -68 | 4 |
| | E -63 | 16 |
| | R -5-5 | 40 |
| 025710132 | F -106 | 18 |
| 025710232 | E -12 | 14 |
| | E -13 | 14 |
| 025770232 | R -3-1-1-18 | 38 |
| | R -3-1-1-18 | 38 |
| 028050246 | Z -42-10-2 | 44 |
| 028060242 | B -27 | 6 |
| 028080242 | Z -32 | 42 |
| | Z -64-7 | 44 |
| 031411304 | Z -57 | 42 |
| 032422505 | R -3-1-5 | 38 |
| | R -3-1-5 | 38 |
| 034422006 | R -5-6-2 | 40 |
| 047250842 | E -1-1 | 14 |
| 047301642 | D -2-2 | 10 |
| 047401642 | D -21-1 | 10 |
| 047502542 | E -57 | 16 |
| 047602042 | A -54 | 4 |
| 048040342 | E -14 | 14 |
| | E -70 | 16 |
| | F -44 | 18 |
| 048090342 | E -19 | 14 |
| 048400242 | B -14 | 6 |
| 060300412 | D -35 | 10 |
| | M -30 | 32 |
| | Z -92 | 42 |
| 060300512 | Z -92 | 42 |
| 060300612 | M -52 | 32 |
| 060350812 | A -67 | 4 |

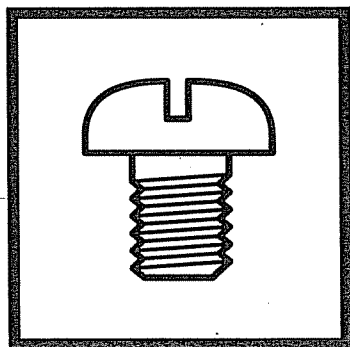
| CODE | REF.NO. | Page |
|-----------|-----------|------|
| 060350812 | E -62 | 16 |
| | J -16 | 26 |
| 060351012 | J -15 | 26 |
| 060400512 | A -96 | 4 |
| | L -17-1 | 28 |
| 060400612 | A -12 | 2 |
| | A -27-7 | 2 |
| | A -27-9 | 2 |
| | A -34 | 2 |
| | A -36 | 2 |
| | A -46 | 2 |
| | A -50 | 2 |
| | D -10 | 10 |
| | E -22 | 14 |
| | H -16 | 24 |
| | M -24 | 32 |
| | M -32 | 32 |
| | M -36 | 32 |
| | M -39 | 32 |
| | M -41 | 32 |
| | M -45 | 32 |
| 060400812 | A -15 | 2 |
| | A -17 | 2 |
| | D -46 | 10 |
| | F -75 | 20 |
| | G -29 | 22 |
| | L -11 | 28 |
| | L -26 | 28 |
| | L -33 | 28 |
| | M -4 | 32 |
| | M -20 | 32 |
| | M -43 | 32 |
| | Z -64-11 | 44 |
| | Z -64-12 | 44 |
| 060401012 | A -25-1 | 2 |
| | A -47 | 2 |
| | P -3 | 34 |
| 060401412 | A -28 | 2 |
| | F -89 | 20 |
| 060630412 | D -50-1-5 | 12 |
| 060630712 | E -75-1 | 16 |
| 061400812 | A -18 | 2 |
| | A -26 | 2 |
| | A -58 | 4 |
| | B -6 | 6 |
| | L -23 | 28 |
| 062060812 | G -18 | 22 |
| | G -21 | 22 |
| 062061012 | F -38 | 18 |
| 062061412 | Z -66 | 42 |
| 062300412 | G -16-2 | 22 |
| 062300512 | F -16 | 18 |
| | Q -1-7 | 34 |
| 062300812 | R -2-1-11 | 36 |
| 062350512 | R -2-1-27 | 36 |
| 062350612 | D -37 | 10 |
| | F -35 | 18 |
| | F -48 | 18 |
| | F -81 | 20 |
| | Q -1-9 | 34 |
| | R -5-4 | 40 |
| 062350812 | C -7-3 | 8 |
| | C -25 | 8 |

| CODE | REF.NO. | Page |
|-----------|-------------|------|
| 062350812 | R -6-5 | 36 |
| 062351016 | L -4-8 | 28 |
| 062400612 | A -30 | 2 |
| | C -19 | 8 |
| | L -44 | 30 |
| | L -47 | 30 |
| | L -58 | 30 |
| | R -2-1-25 | 36 |
| | Z -59 | 42 |
| 062400812 | A -9 | 2 |
| | B -5 | 6 |
| | R -2-1-16 | 36 |
| 062401012 | A -22 | 2 |
| | B -22 | 6 |
| | C -17 | 8 |
| | E -6 | 14 |
| | P -6 | 34 |
| | Q -2 | 34 |
| | R -3-1-6 | 38 |
| | R -3-2-6 | 38 |
| 062401212 | A -4 | 2 |
| | A -52 | 4 |
| | G -10-1 | 22 |
| 062401406 | Z -71 | 42 |
| | Z -71 | 42 |
| 062401612 | A -81 | 4 |
| | D -57 | 10 |
| | G -10-2 | 22 |
| | R -2-1-21 | 36 |
| 062501212 | F -88 | 20 |
| 062501406 | Z -42-15-4 | 44 |
| 062670712 | D -42 | 12 |
| | D -50-1-4 | 12 |
| | D -50-5-6 | 12 |
| | D -50-10-4 | 12 |
| 072600000 | B -7 | 6 |
| 076203000 | B -15 | 6 |
| 081005070 | E -11 | 14 |
| | F -94 | 20 |
| 081005670 | E -56 | 16 |
| | F -66 | 20 |
| 081008070 | L -5 | 28 |
| 081009070 | A -77 | 4 |
| 081020070 | E -21 | 14 |
| 081031870 | B -4 | 6 |
| 081044070 | L -9 | 28 |
| 100032003 | C -33 | 8 |
| 100105005 | D -50-5-5 | 12 |
| 100136001 | R -5-1-4 | 40 |
| 101118001 | R -5-2 | 40 |
| 101572101 | Z -5 | 42 |
| 102707002 | F -74 | 20 |
| | R -2-8 | 36 |
| 104450101 | C -11 | 8 |
| 105161004 | D -3 | 10 |
| | F -47 | 18 |
| | F -80 | 20 |
| 108494001 | R -5-1-2 | 40 |
| 108495001 | R -5-1-3 | 40 |
| 110744002 | R -3-1-1-17 | 38 |
| | R -3-1-1-17 | 38 |
| 110832009 | M -12 | 32 |
| 116016001 | Z -72 | 42 |

| CODE | REF.NO. | Page |
|-----------|------------|------|
| 116016001 | Z -72 | 42 |
| 117466000 | Z -13 | 42 |
| 118735002 | C -1-3-2 | 8 |
| | G -1-2-2 | 22 |
| 118770001 | A -44 | 2 |
| 122991001 | Z -25 | 42 |
| 126863001 | Z -42-3 | 44 |
| 138843001 | Z -42-12 | 44 |
| 140530002 | D -52 | 12 |
| | D -52 | 12 |
| | D -52 | 12 |
| 142002001 | Z -8 | 42 |
| 142262001 | Z -24 | 42 |
| 142628001 | E -25 | 14 |
| 142998001 | Z -42-6 | 44 |
| 143767002 | R -5-1 | 40 |
| 143980001 | R -5-1-1 | 40 |
| 144074350 | G -15-1 | 22 |
| | Ga1 -8 | 45 |
| | Ga2 -8 | 46 |
| 144103009 | M -13 | 32 |
| 144225002 | Z -41 | 42 |
| 144784001 | R -2-1-10 | 36 |
| 144875001 | L -4-9 | 28 |
| 144876001 | L -4-10 | 28 |
| 145277205 | Z -19 | 42 |
| 146293001 | C -6 | 8 |
| 146427001 | C -12-1 | 8 |
| | M -47 | 32 |
| 146532001 | F -6 | 18 |
| | F -19 | 18 |
| | F -56 | 20 |
| 146592001 | M -21 | 32 |
| 146598001 | A -71 | 4 |
| | Q -1-3 | 34 |
| 146762001 | Q -1-8 | 34 |
| 147363000 | L -48 | 30 |
| 147893009 | Z -69 | 42 |
| | Z -69 | 42 |
| 147919051 | Z -48-1 | 42 |
| 147919052 | Z -48-2 | 42 |
| 147942001 | L -12-1 | 28 |
| 148084001 | L -20 | 28 |
| 148294001 | D -50-1-3 | 12 |
| | D -50-5-3 | 12 |
| | D -50-10-3 | 12 |
| 148782001 | J -13 | 26 |
| 148797001 | R -3-1-1-5 | 38 |
| | R -3-2-1-5 | 38 |
| 148798109 | R -3-1-1-7 | 38 |
| | R -3-2-1-7 | 38 |
| 149570001 | Z -9 | 42 |
| 150173003 | Z -42-9 | 44 |
| 150174000 | Z -42-7-1 | 44 |
| 150179002 | Z -42-10-1 | 44 |
| 150180001 | Z -42-1 | 44 |
| 150182000 | Z -42-2 | 44 |
| 150185009 | Z -42-11 | 44 |
| 150206002 | Z -42-4-1 | 44 |
| 150307000 | P -1-4 | 34 |
| 150755001 | D -50-1-3 | 12 |
| 151474011 | Ga1 -1 | 45 |
| | Ga2 -1 | 46 |

| CODE | REF.NO. | Page |
|-----------|--------------|------|
| 151474014 | Ga3 - 1 | 47 |
| 151474018 | Ga1 - 1 | 45 |
| 151951001 | F - 49 | 18 |
| 153318201 | Z - 64-2 | 44 |
| 154841001 | A - 78 | 4 |
| 155162001 | C - 7-6 | 8 |
| | H - 9-1-3 | 24 |
| 155197101 | R - 3-1-1-1 | 38 |
| | R - 3-2-1-1 | 38 |
| 155199101 | R - 3-1-1-3 | 38 |
| | R - 3-1-1-14 | 38 |
| | R - 3-1-1-14 | 38 |
| | R - 3-2-1-3 | 38 |
| 155247000 | G - 3 | 22 |
| | H - 11 | 24 |
| | J - 10 | 26 |
| 155539000 | F - 61 | 20 |
| 155559001 | B - 12 | 6 |
| 156112003 | Z - 42-8 | 44 |
| 156482000 | A - 51 | 2 |
| 158722002 | D - 55 | 10 |
| | J - 17 | 26 |
| 183797009 | Z - 56 | 42 |
| 183798001 | Z - 64 | 44 |
| 213650001 | Z - 31 | 42 |
| | Z - 64-9 | 44 |

brother®



パーツブック
PARTS BOOK

ブラザー工業株式会社

BROTHER INDUSTRIES, LTD

Printed in Japan

878-V8A,B
S97V8A-101
2002.03.C (1)