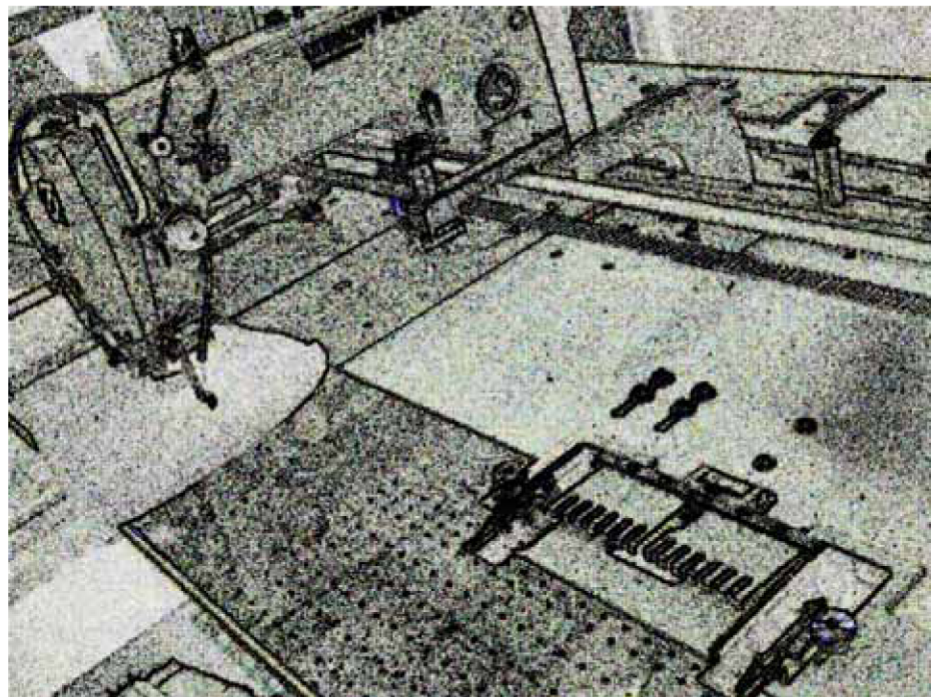




2171/5

Kurznaht Automat SHORT SEAM AUTOMAT



Teileliste Part list

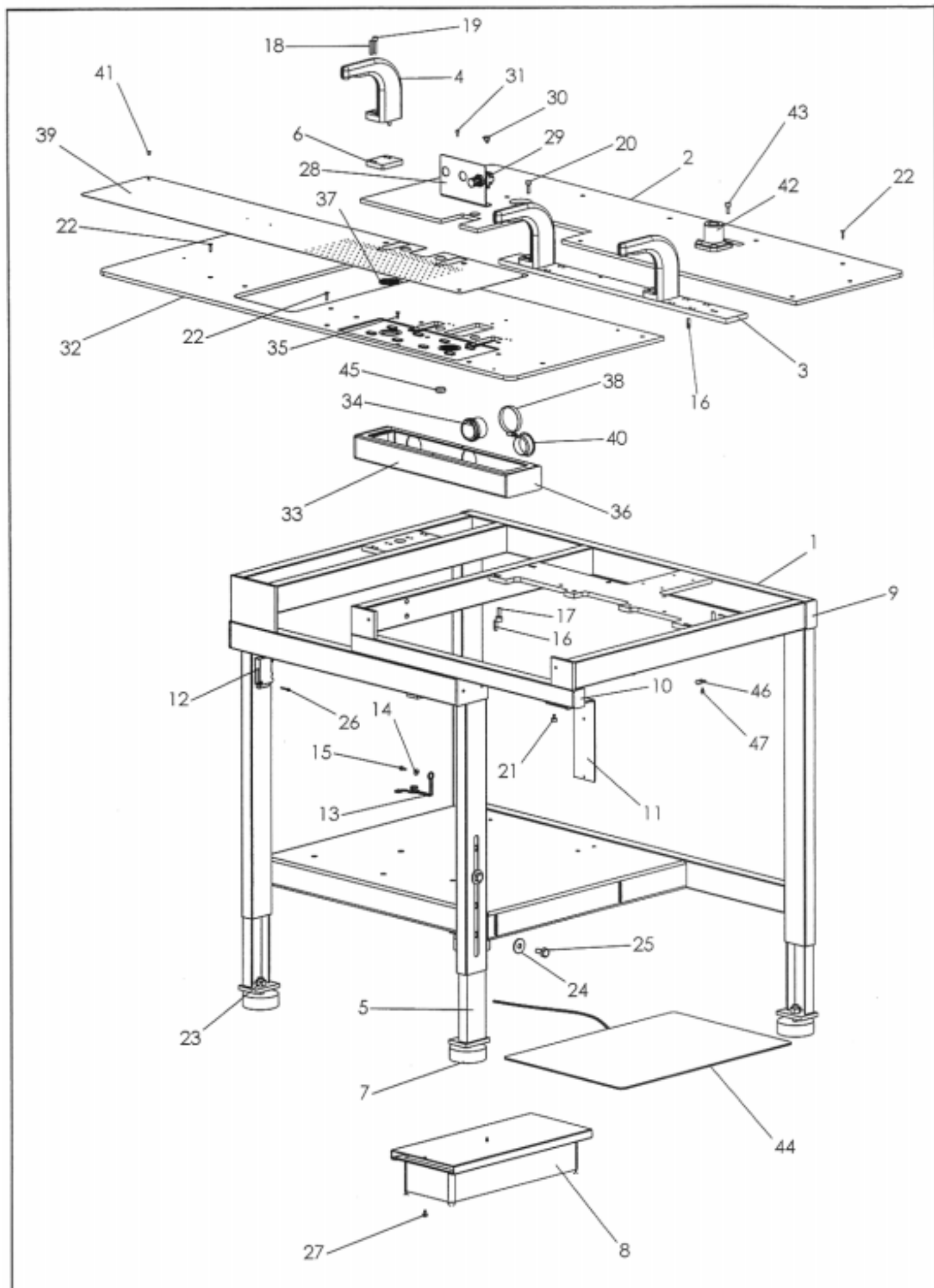
DocNr.:DOC 000019 / Version 1

Stand 04.10.2007

INHALTSVERZEICHNIS 2171/5

21.04.2007

| BENNENUNG | TAFEL PAGE | NAME |
|------------------------|---------------|----------------------------|
| TISCHTEILE | 1 | TABLE PARTS |
| OBERTEILAUFHÄNGUNG | 2 | SEWING HEAD SUSPENSION |
| OBERTEIL | 3 | SEWING HEAD |
| FADENFÄNGER | 4 | THREAD CATCHER |
| ABDECKUNG | 5 | COVER PLATE |
| ANTRIEB | 6 | DRIVE |
| KLAMMERTRANSPORT | 7+8 | CLAMP FEED |
| KLAMMER GERADE | 9 | CLAMP STRAIGHT |
| KLAMMER | 10 | CLAMP |
| KURVE | 11 | CURVE |
| VENTILVERTEILUNG | 12 | VALVE BLOCK |
| STEUERUNG | 13 | CONTROL |
| VAKUUMPUMPE | 14 | VACUUM PUMP |
| VAKUUM VENTIL | 15 | VACUUM VALVE |
| BÜNDELKLAMMER | 16 | BUNDLE CLAMP |
| BLASEINRICHTUNG | 17 | BLOWING DEVICE |
| EINZWICKSCHERE | 18 | NOTCHING DEVICE CUTTER |
| STOFFKLEMME | 19 | WORK CLAMP |
| ABLAGE | 20 | RACK |
| SCHERENVERSTELLUNG | 21 | CUTTER ADJUSTMENT |
| | | |
| OBERTEIL DA STEPPSTICH | | SEWING HEAD DA LOCK STITCH |

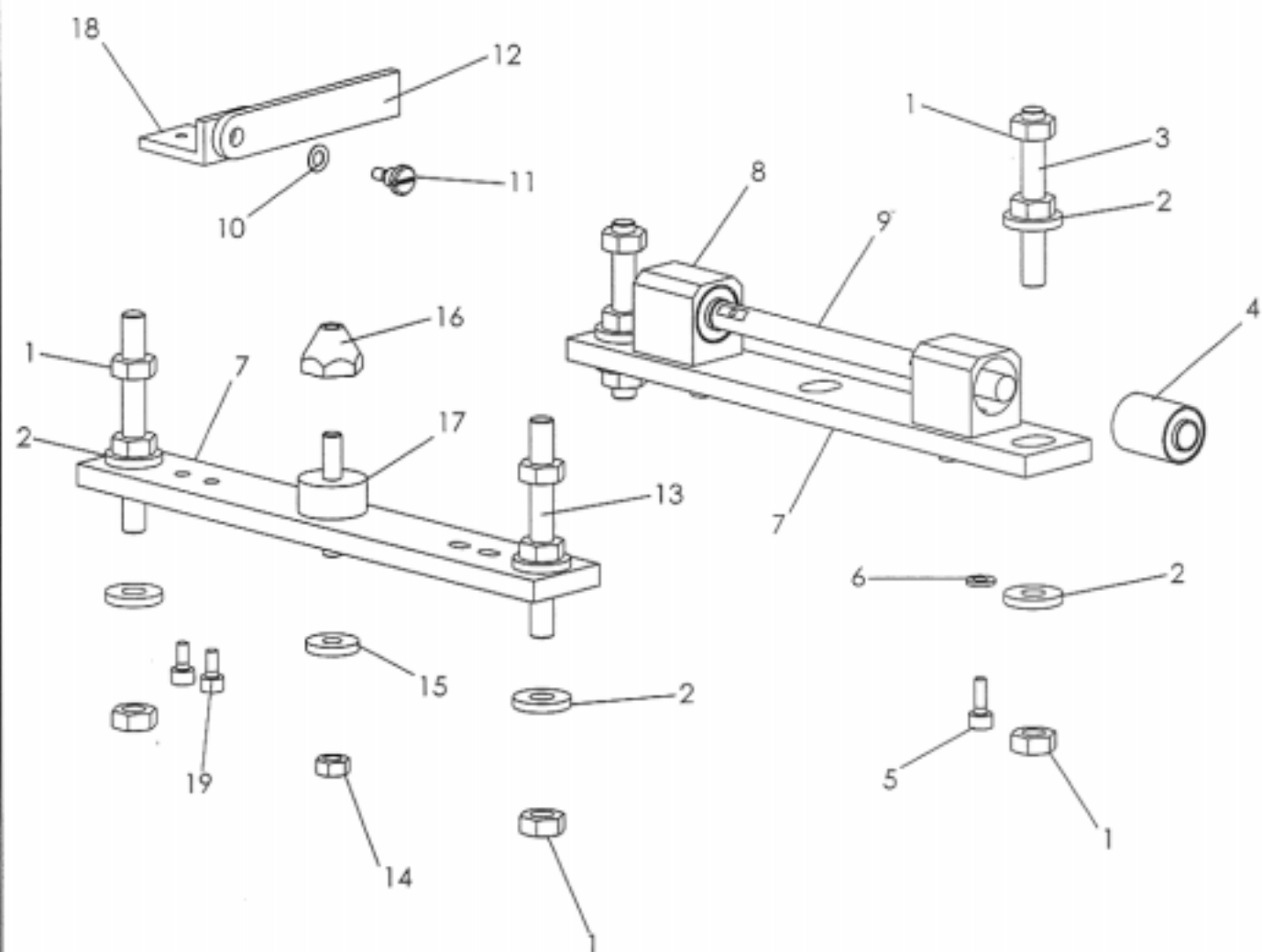


Tafel 1

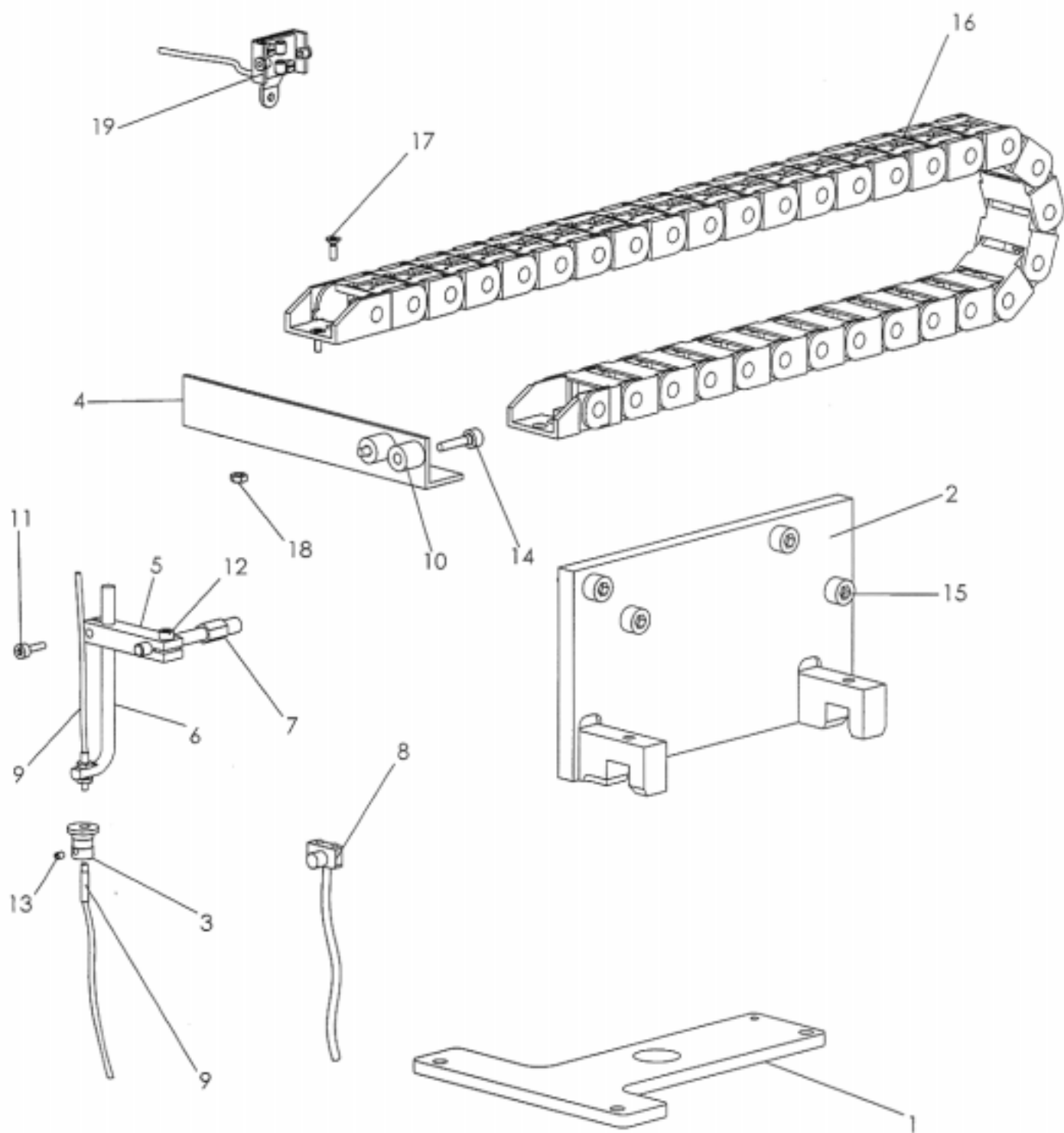
TISCHTEILE

2171

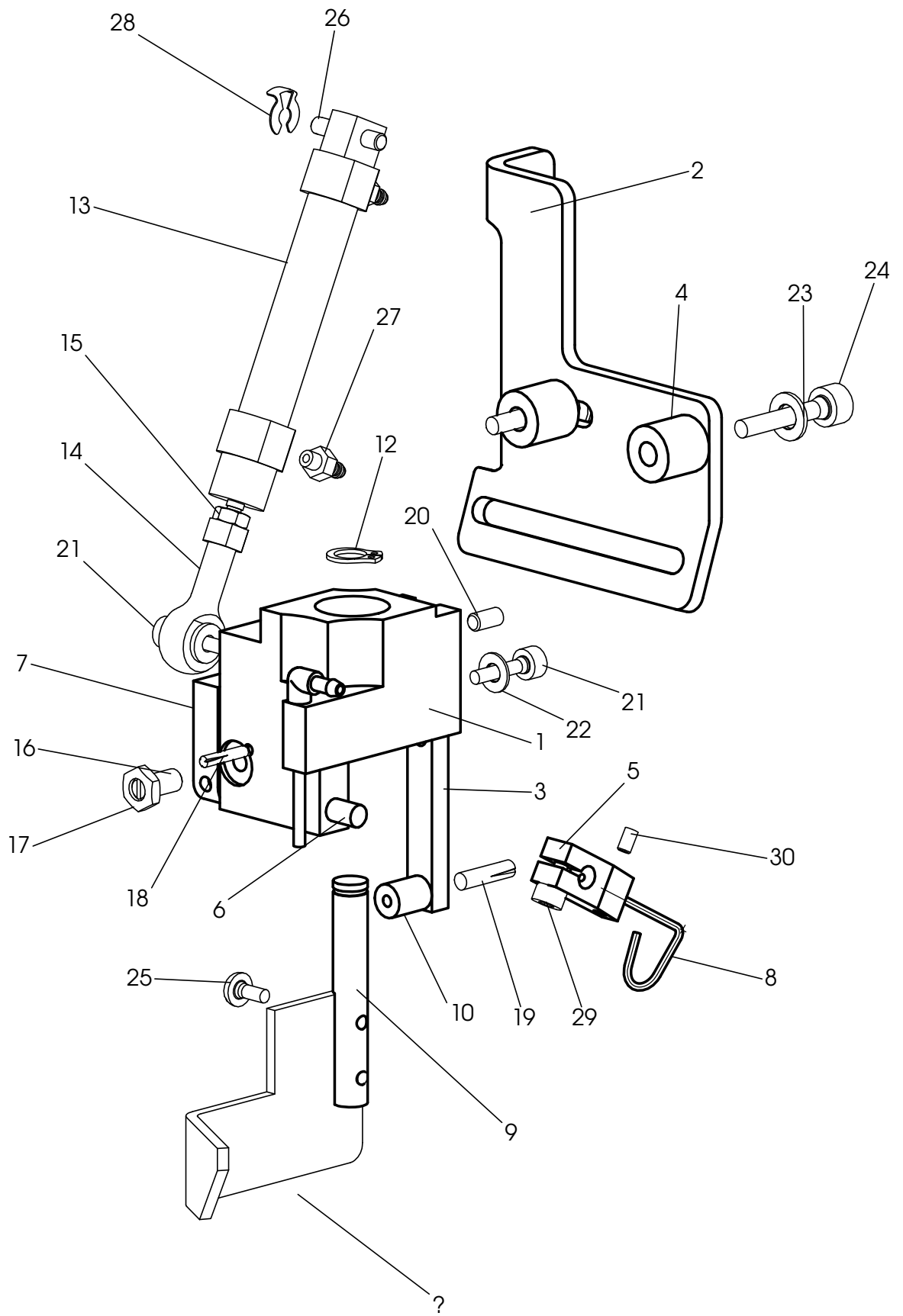
| NR. NO. | STÜCK PIECE | ARTIKEL NR. ARTICLE NO. | BEZEICHNUNG | NAME |
|------------|----------------|----------------------------|------------------------|-----------------------|
| 1 | 1 | 009765-00 | Tischgestell | table frame |
| 2 | 1 | 009891-00 | Tischplatte | table plate |
| 3 | 1 | 009772-00 | Grundplatte | baseplate |
| 4 | 3 | 009742-00 | Halter | holder |
| 5 | 4 | 006586-00 | Stellfuss | set foot |
| 6 | 1 | 009801-00 | Distanzplatte | shim |
| 7 | 4 | 1600455-00 | Gummi-Metall-Puffer | isolator |
| 8 | 1 | 2400818-00 | Schublade | drawer |
| 9 | 4 | 2500873-00 | Verschlußstopfen | stopper |
| 10 | 1 | 2500871-00 | Verschlußstopfen | stopper |
| 11 | 1 | 007230-00 | Halter | holder |
| 12 | 1 | 2100697-02 | Lichtleiter-Verstärker | fiber light amplifier |
| 13 | 1 | 1700491-00 | Ölkannenhalter | oil squirt holder |
| 14 | 1 | DIN 9021 - 4,3 | Scheibe | washer |
| 15 | 1 | DIN 912 M4x10 | Zylinderschraube | screw |
| 16 | 6 | DIN 1481 6x20 | Spannstift | locking pin |
| 17 | 2 | DIN 912 M8x20 | Zylinderschraube | screw |
| 18 | 2 | DIN 1481 6x30 | Spannstift | locking pin |
| 19 | 2 | DIN 912 M6x30 | Zylinderschraube | screw |
| 20 | 4 | DIN 912 M6x20 | Zylinderschraube | screw |
| 21 | 2 | DIN 912 M6x8 | Zylinderschraube | screw |
| 22 | 17 | DIN 965 M4x16 | Senkschraube | screw |
| 23 | 4 | DIN 934 M12 | Sechskantmutter | nut |
| 24 | 8 | DIN 9021 - 10,5 | Scheibe | washer |
| 25 | 8 | DIN 933 M10x20 | Sechskantschraube | screw |
| 26 | 2 | DIN 912 M3x20 | Zylinderschraube | screw |
| 27 | 2 | DIN 6912 M6x8 | Zylinderschraube | screw |
| 28 | 1 | 009846-00 | Winkel | square |
| 29 | 1 | 1200274-00 | Druckregler | pressure regulator |
| 30 | 2 | 1400341-00 | Verschraubung | screw joint |
| 31 | 2 | DIN 912 M4x8 | Zylinderschraube | screw |
| 32 | 1 | 012140-00 | Tischplatte | table plate |
| 33 | 1 | 009761-00 | Vakuumkasten | vacuum box |
| 34 | 1 | 009761-01 | Stutzen | connection piece |
| 35 | 2 | DIN 965 M4x12 | Zylinderschraube | screw |
| 36 | 2 | 2500877-05 | Verschlußstopfen | stopper |
| 37 | 2 | 007266-00 | Sieb | sieve |
| 38 | 1 | 1100252-00 | Schlauchklemme | tube clamp |
| 39 | 1 | 012139-00 | Gleitblech | slide plate |
| 40 | 1 | 2500877-06 | Verschlußstopfen | stopper |
| 41 | 2 | 2701918-00 | Schraube | screw |
| 42 | 1 | 1600434-00 | Klemme | clamp |
| 43 | 4 | DIN 912 M6x16 | Zylinderschraube | screw |
| 44 | 1 | 2500910-10 | Schaltmatte 2-fach | switch mad double |
| 45 | 2 | 1900541-00 | Magnet | magnet |
| 46 | 6 | 2100535-00 | Befestigungssockel | fastening socket |
| 2171 | | TISCHTEILE | | Tafel 1 |



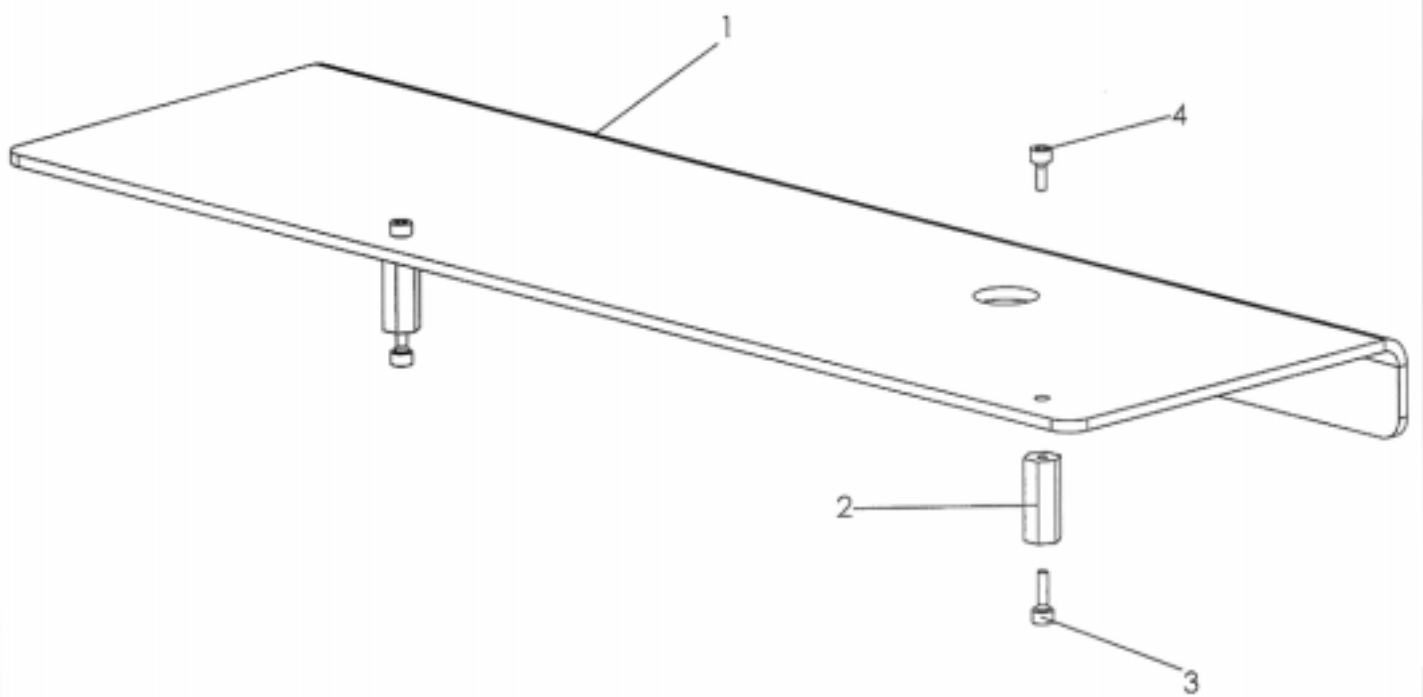
| NR. NO. | STÜCK PIECE | ARTIKEL NR. ARTICLE NO. | BEZEICHNUNG | NAME |
|------------|----------------|----------------------------|---------------------|-----------------|
| 1 | 12 | DIN 934 M10 | Sechskantmutter | nut |
| 2 | 8 | DIN 7349 - 10,5 | Scheibe | washer |
| 3 | 2 | DIN 913 M10x80 | Gewindestift | grub screw |
| 4 | 2 | 1600499-00 | Buchse | sleeve |
| 5 | 4 | DIN 912 M6x16 | Zylinderschraube | screw |
| 6 | 4 | DIN 125 A 6,4 | Scheibe | washer |
| 7 | 2 | 009766-01 | Träger | girder |
| 8 | 2 | 009771-00 | Lagerbock | bearing bracket |
| 9 | 1 | 009770-00 | Welle | shaft |
| 10 | 1 | DIN 137 B6 | Federscheibe | washer |
| 11 | 1 | DIN 923 M6x6 | Flachkopfschraube | screw |
| 12 | 1 | 009767-00 | Stütze | support |
| 13 | 2 | DIN 913 M10x100 | Gewindestift | grub screw |
| 14 | 1 | DIN 934 M8 | Sechskantmutter | nut |
| 15 | 1 | DIN 6340 - 8,4 | Scheibe | washer |
| 16 | 1 | 009769-00 | Bolzen | bolt |
| 17 | 1 | 1600502-00 | Gummi-Metall-Puffer | isolator |
| 18 | 1 | 009768-00 | Winkel | square |
| 19 | 2 | DIN 912 M6x12 | Zylinderschraube | screw |
| 2171 | | OBERTEILAUFHÄNGUNG | | Tafel 2 |



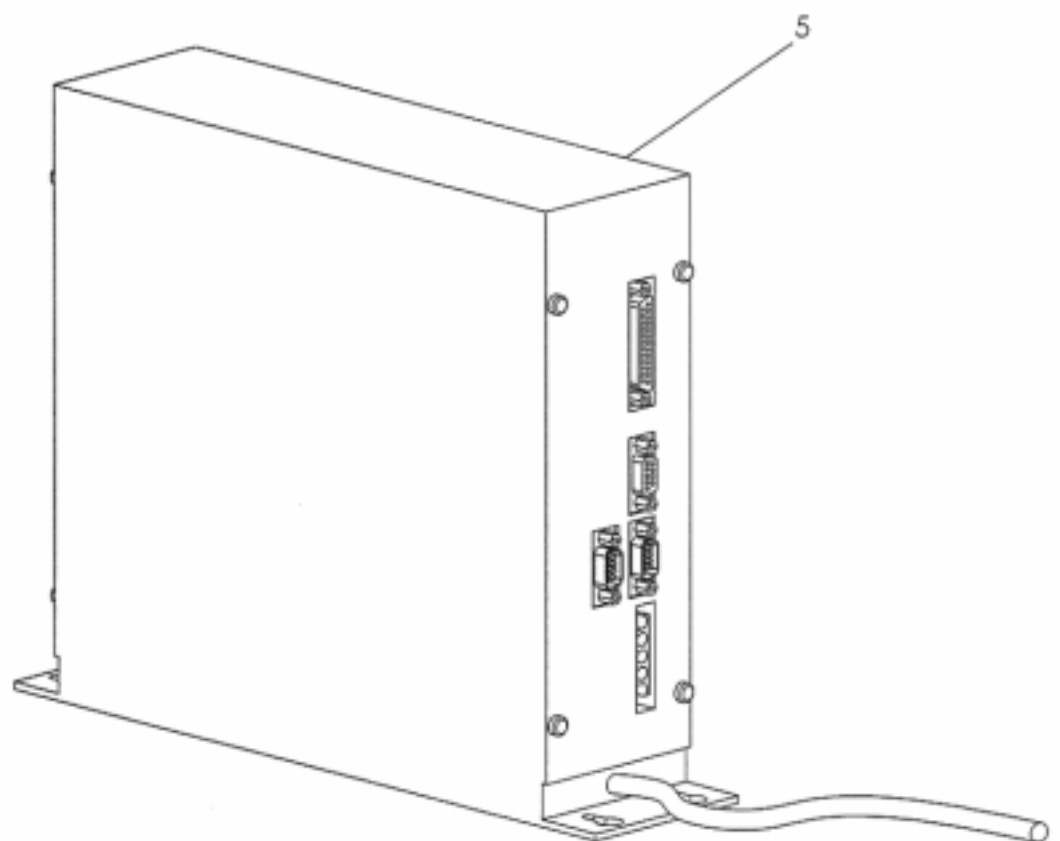
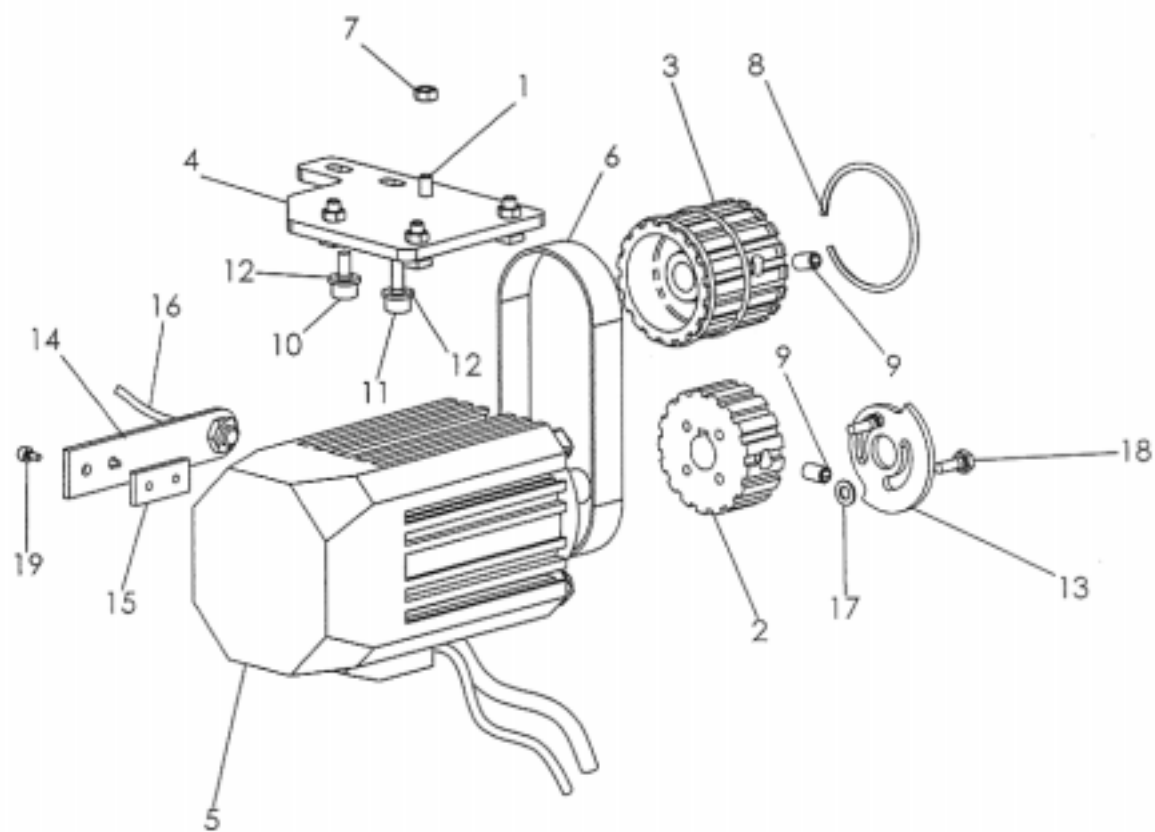
| NR. NO. | STÜCK PIECE | ARTIKEL NR. ARTICLE NO. | BEZEICHNUNG | NAME |
|------------|----------------|----------------------------|-------------------|----------------------|
| 1 | 1 | 009735-00 | Träger | girder |
| 2 | 1 | 009736-00 | Halter | holder |
| 3 | 1 | 009737-00 | Klemme | clamp |
| 4 | 1 | 009764-00 | Halter | holder |
| 5 | 1 | 007109-00 | Klemme | clamp |
| 6 | 1 | 007111-00 | Halter | holder |
| 7 | 1 | 007110-00 | Stehbolzen | stay bolt |
| 8 | 1 | 2100743-04 | Fotozelle | photo cell |
| 9 | 1 | 2100696-01 | Lichtwellenleiter | light wave conductor |
| 10 | 2 | 009808-00 | Distanzrolle | sensor |
| 11 | 1 | DIN 912 M3x10 | Zylinderschraube | screw |
| 12 | 1 | DIN 912 M3x8 | Zylinderschraube | screw |
| 13 | 1 | DIN 913 M3x3 | Gewindestift | grub screw |
| 14 | 2 | DIN 912 M4x16 | Zylinderschraube | screw |
| 15 | 4 | DIN 912 M6x16 | Zylinderschraube | screw |
| 16 | 1 | 25000784-01 | Energiekette | energy chain |
| 17 | 2 | DIN 965 M3x8 | Senkschraube | screw |
| 18 | 2 | DIN 934 M3 | Sechskantmutter | nut |
| 19 | 1 | 2100754-00 | Sensor | sensor |
| 2171 | | OBERTEIL | | Tafel 3 |



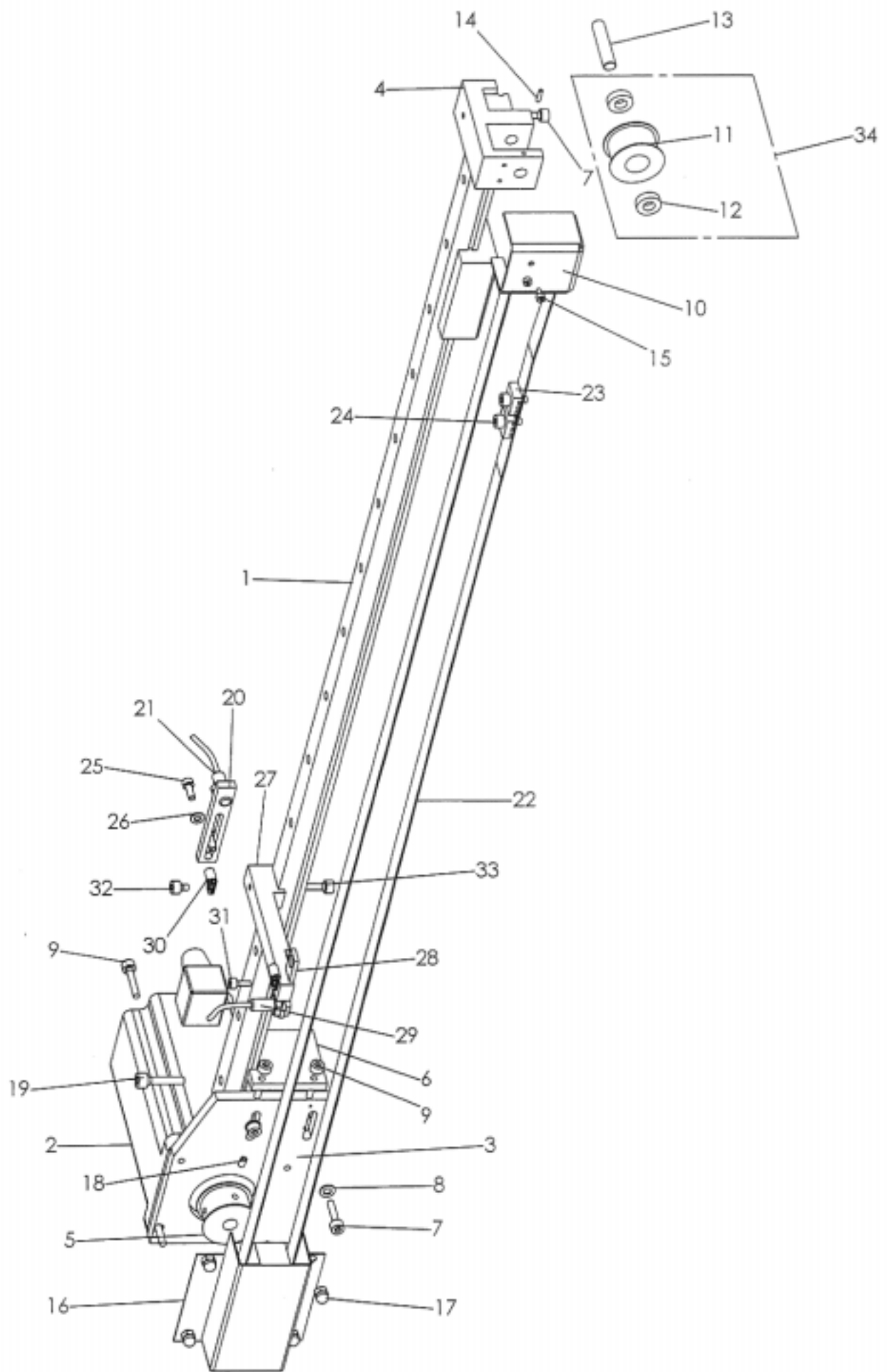
| NR. No. | STÜCK PIECE | ARTIKEL NR. ARTICLE NO. | BEZEICHNUNG | NAME | NR. No. | STÜCK PIECE | ARTIKEL NR. ARTICLE NO. | BEZEICHNUNG | NAME |
|------------|----------------|----------------------------|-------------------|-------------------|------------|----------------|----------------------------|--------------------|------|
| 1 | 1 | 009805-00 | Halter | holder | | | | | |
| 2 | 1 | 009806-01 | Halter | holder | | | | | |
| 3 | 1 | 009807-00 | Lasche | cover plate | | | | | |
| 4 | 2 | 009808-00 | Distanzrolle | spacer roll | | | | | |
| 5 | 1 | 009809-00 | Schwenkarm | pivot arm | | | | | |
| 6 | 1 | 009810-00 | Welle | shaft | | | | | |
| 7 | 1 | 009811-00 | Hebel | lever | | | | | |
| 8 | 1 | 009812-00 | Fängerdraht | catcher wire | | | | | |
| 9 | 1 | 009813-00 | Welle | shaft | | | | | |
| 10 | 1 | 009817-00 | Schlauch | tube | | | | | |
| 11 | 1 | 009825-01 | FINGERSCHUTZ | finger quard | | | | | |
| 12 | 1 | DIN 471 - 6 | Sicherungsring | circlip | | | | | |
| 13 | 1 | 1000251-00 | Zylinder | cylinder | | | | | |
| 14 | 1 | 1500390-00 | Gelenkkopf | swivel head | | | | | |
| 15 | 1 | DIN 934 M3 | Sechskantmutter | nut | | | | | |
| 16 | 1 | 1600490-00 | Druckstück | thrust piece | | | | | |
| 17 | 1 | DIN 439 -M4 | Sechskantmutter | nut | | | | | |
| 18 | 1 | ISO 8745 2x10 | Kerbstift | notched taper pin | | | | | |
| 19 | 1 | ISO 8745 3x12 | Kerbstift | notched taper pin | | | | | |
| 20 | 1 | DIN 913 M4x6 | Gewindestift | set screw | | | | | |
| 21 | 2 | DIN 912 M3x12 | Zylinderschraube | cylinder screw | | | | | |
| 22 | 1 | DIN125 A3,2 | Scheibe | washer | | | | | |
| 23 | 2 | DIN 125 A4,3 | Scheibe | washer | | | | | |
| 24 | 2 | DIN 912 M4x20 | Zylinderschraube | cylinder screw | | | | | |
| 25 | 2 | DIN 85 - M3x6 | Flachkopfschraube | pan-haed screw | | | | | |
| 26 | 1 | DIN427 M3x16 | Schaftschraube | shoulder stud | | | | | |
| 27 | 2 | 1400338-00 | Verschraubung | screw joint | | | | | |
| 28 | 1 | SXN 3 | Sicherungsscheibe | lock washer | | | | | |
| 29 | 1 | DIN 912 M3x8 | Zylinderschraube | cylinder screw | | | | | |
| 30 | 1 | DIN 913 M3x4 | Gewindestift | set screw | | | | | |
| | | | | | | | | FADENFÄNGER | |
| | | | | | | | | 2171/4 | |



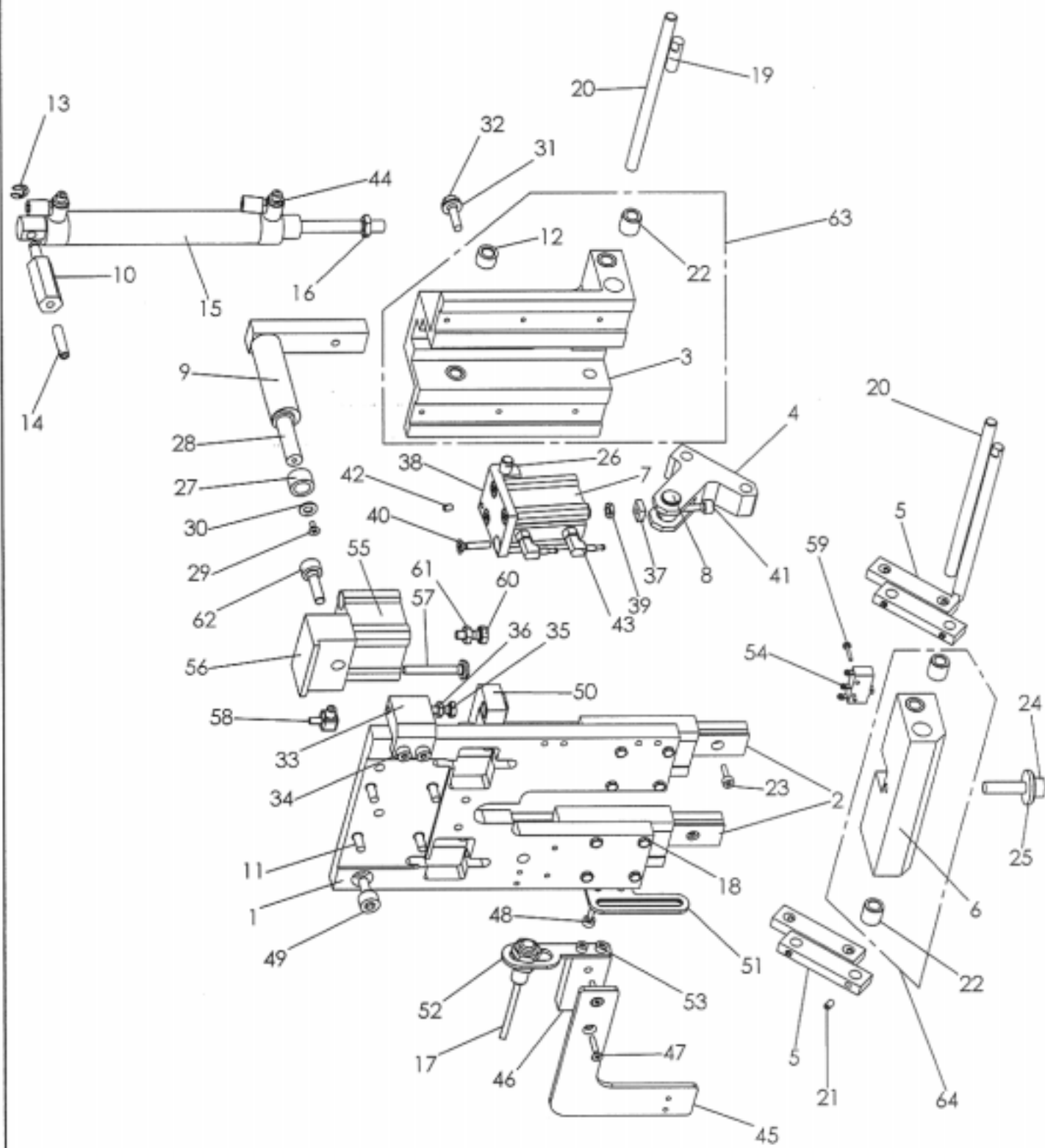
| NR. NO. | STÜCK PIECE | ARTIKEL NR. ARTICLE NO. | BEZEICHNUNG | NAME |
|------------|----------------|----------------------------|------------------|-------------|
| 1 | 1 | 009957-01 | Abdeckhaube | cover plate |
| 2 | 1 | 009958-00 | Stehbolzen | stay bolt |
| 3 | 3 | DIN 912 M5x16 | Zylinderschraube | screw |
| 4 | 3 | DIN 912 M5x12 | Zylinderschraube | screw |
| 2171 | | ABDECKUNG | | Tafel 5 |



| NR. NO. | STÜCK PIECE | ARTIKEL NR. ARTICLE NO. | BEZEICHNUNG | NAME |
|------------|----------------|----------------------------|-------------------|------------------|
| 1 | 4 | 009913-00 | 4KT Schraube | 4kt screw |
| 2 | 1 | 009914-00 | Zahnrad | gear wheel |
| 3 | 1 | 009921-00 | Zahnrad | gear wheel |
| 4 | 1 | 009922-00 | Motorhalterung | engine holder |
| 5 | 1 | 2400826-50 | Komplettantrieb | complete drive |
| 6 | 1 | 2500802-04 | Zahnriemen | toothed belt |
| 7 | 4 | DIN 934 M5 | Sechskantmutter | nut |
| 8 | 3 | 1500401-04 | Sprengring | retaining ring |
| 9 | 3 | DIN 913 M8x10 | Gewindestift | grub screw |
| 10 | 1 | DIN 912 M6x12 | Zylinderschraube | screw |
| 11 | 1 | DIN 912 M6x16 | Zylinderschraube | screw |
| 12 | 2 | DIN 125 A 6,4 | Scheibe | washer |
| 13 | 1 | 009982-00 | Kurvenscheibe | cam disk |
| 14 | 1 | 009983-00 | Lasche | cover plate |
| 15 | 1 | 009984-00 | Lasche | cover plate |
| 16 | 1 | 2100724-02 | Näherungsschalter | proximity switch |
| 17 | 2 | DIN 125 A 5,3 | Scheibe | washer |
| 18 | 2 | DIN 933 M5x12 | Sechskantschraube | screw |
| 19 | 2 | DIN 912 M3x6 | Zylinderschraube | screw |
| 2171 | | ANTRIEB | | Tafel 6 |

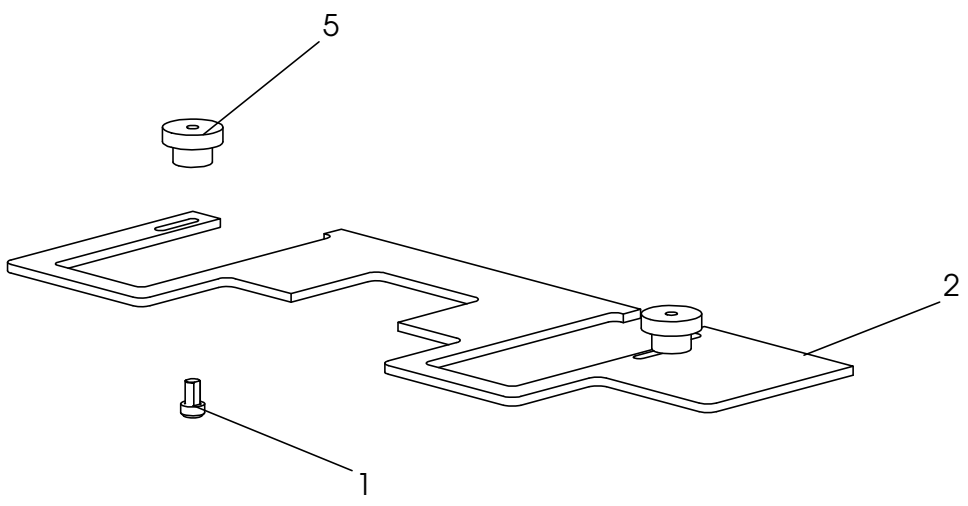
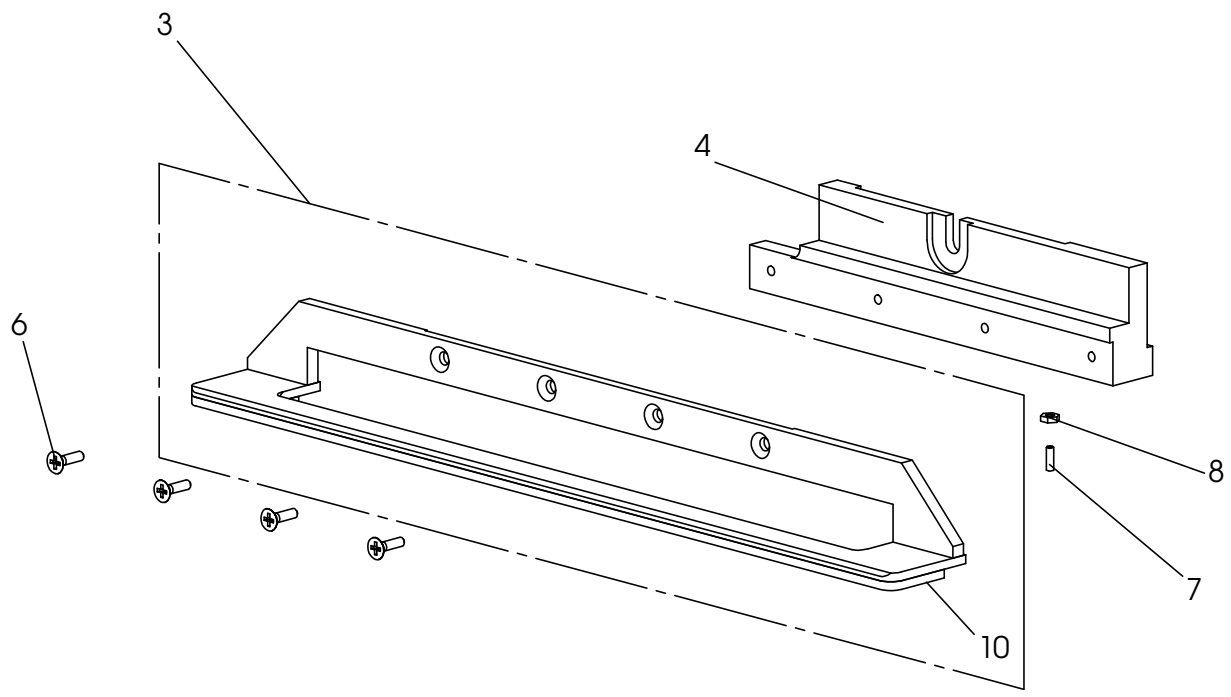


| NR. NO. | STÜCK PIECE | ARTIKEL NR. ARTICLE NO. | BEZEICHNUNG | NAME |
|------------|----------------|----------------------------|----------------------------|---------------------------|
| 1 | 1 | 008201-00 | Linearführung | linear motor guide |
| 2 | 1 | 2102021-07 | Schrittmotor | stepping motor |
| 3 | 1 | 009758-00 | Motorplatte | engine plate |
| 4 | 1 | 009757-00 | Halter | holder |
| 5 | 1 | 009009-00 | Zahnrad | gear wheel |
| 6 | 1 | 009756-00 | Halter | holder |
| 7 | 3 | DIN 912 M5x20 | Zylinderschraube | screw |
| 8 | 2 | DIN 125 A 5,3 | Scheibe | washer |
| 9 | 6 | DIN 912 M5x25 | Zylinderschraube | screw |
| 10 | 1 | 009755-00 | Riemenschutz | belt guard |
| 11 | 1 | 007937-00 | Synchrone Scheibe | synchronous disk |
| 12 | 2 | 1500377-00 | Kugellager | ball bearing |
| 13 | 1 | 007821-00 | Welle | shaft |
| 14 | 1 | DIN 913 M3x10 | Gewindestift | grub screw |
| 15 | 2 | DIN 912 M3x6 | Zylinderschraube | screw |
| 16 | 1 | 009120-00 | Schutz | guard |
| 17 | 4 | DIN 1587 M5 | Sechskantmutter | nut |
| 18 | 1 | DIN 913 M5x6 | Gewindestift | grub screw |
| 19 | 1 | DIN 912 M6x25 | Zylinderschraube | screw |
| 20 | 1 | 006770-00 | Halter | holder |
| 21 | 1 | 2100725-00 | Schalter | switch |
| 22 | 1 | 008209-00 | Zahnriemen | toothed belt |
| 23 | 2 | 004570-00 | Riemenklemme | belt clamp |
| 24 | 2 | DIN 912 M5x12 | Zylinderschraube | screw |
| 25 | 2 | DIN 912 M4x12 | Zylinderschraube | screw |
| 26 | 2 | DIN 125 A 4,3 | Scheibe | washer |
| 27 | 1 | 91.7937-00 | Synchrone Scheibe komplett | synchronous disk complete |
| 27 | 1 | 009906-00 | Halter | holder |
| 28 | 1 | 006776-00 | Platte | plate |
| 29 | 1 | 2100724-00 | Schalter | switch |
| 30 | 2 | HNY 1 | Klemme | clamp |
| 31 | 1 | DIN 912 M4x10 | Zylinderschraube | screw |
| 32 | 1 | DIN 912 M5x6 | Zylinderschraube | screw |
| 33 | 1 | DIN 912 M5x18 | Zylinderschraube | screw |
| 34 | 1 | 91.7937-00 | Synchrone Scheibe komplett | synchronous disk complete |
| 2171 | | KLAMMERTRANSPORT | | Tafel 7 |



| NR. NO. | STÜCK PIECE | ARTIKEL NR. ARTICLE NO. | BEZEICHNUNG | NAME |
|------------|----------------|----------------------------|-------------------|--------------------|
| 1 | 1 | 009754-00 | Platte | plate |
| 2 | 2 | 1500483-00 | Linearführung | linear motor guide |
| 3 | 1 | 009716-00 | Lagerbock | bearing pedestal |
| 4 | 1 | 006785-00 | Hebel | lever |
| 5 | 4 | 006789-00 | Lasche | cover plate |
| 6 | 1 | 009746-01 | Anschlussplatte | connection plate |
| 7 | 1 | 1000207-00 | Zylinder | cylinder |
| 8 | 1 | 006787-00 | Bolzen | bolt |
| 9 | 1 | 009866-00 | Halter | holder |
| 10 | 1 | 009747-00 | Stehbolzen | stay bolt |
| 11 | 4 | DIN 912 M5x12 | Zylinderschraube | screw |
| 12 | 2 | 1500437-00 | Buchse | sleeve |
| 13 | 1 | DIN 6799 - 4 | Sicherungsscheibe | cir clip |
| 14 | 1 | DIN 913 M6x20 | Gewindestift | grub screw |
| 15 | 1 | 1000250-00 | Zylinder | cylinder |
| 16 | 1 | DIN 439 M6 | Sechskantmutter | nut |
| 17 | 1 | 2100724-00 | Schalter | switch |
| 18 | 8 | DIN 933 M3x16 | Sechskantschraube | screw |
| 19 | 2 | 009753-00 | Bolzen | bolt |
| 20 | 3 | 009752-00 | Welle | shaft |
| 21 | 8 | DIN 913 M4x5 | Gewindestift | grub screw |
| 22 | 8 | 1500435-00 | Buchse | sleeve |
| 23 | 8 | DIN 912 M3x10 | Zylinderschraube | screw |
| 24 | 1 | 006794-00 | Schraube | screw |
| 25 | 1 | 006795-00 | Scheibe | washer |
| 26 | 1 | 009750-00 | Welle | shaft |
| 27 | 1 | 1500464-00 | Nadelhülse | needle sleeve |
| 28 | 1 | 009112-00 | Bolzen | bolt |
| 29 | 1 | DIN 965 M3x6 | Senkschraube | screw |
| 30 | 1 | DIN 125 A 4,3 | Scheibe | washer |
| 31 | 1 | DIN 125 A 5,3 | Scheibe | washer |
| 32 | 1 | DIN 933 M5x16 | Sechskantschraube | screw |
| 33 | 1 | 009751-00 | Anschlag | impact |
| 34 | 2 | DIN 912 M4x12 | Zylinderschraube | screw |
| 35 | 1 | DIN 933 M4x20 | Sechskantschraube | screw |
| 36 | 1 | DIN 439 M4 | Sechskantmutter | nut |
| 37 | 1 | 009744-00 | Vierkantmutter | nut |
| 38 | 1 | 009745-00 | Halter | holder |
| 39 | 1 | DIN 439 A M4 | Sechskantmutter | nut |
| 40 | 4 | DIN 965 M4x16 | Senkschraube | screw |
| 41 | 1 | DIN 912 M4x20 | Zylinderschraube | screw |
| 42 | 1 | DIN 913 M4x4 | Gewindestift | grub screw |
| 43 | 2 | 1400340-00 | Verschraubung | screw joint |
| 44 | 2 | 006927-00 | Drossel | throttle valve |
| 45 | 1 | 009865-00 | Initiatorhalter | initiator holder |
| 46 | 1 | 009875-00 | Distanzplatte | shim |
| 2171 | | KLAMMERTRANSPORT | | Tafel 8 |

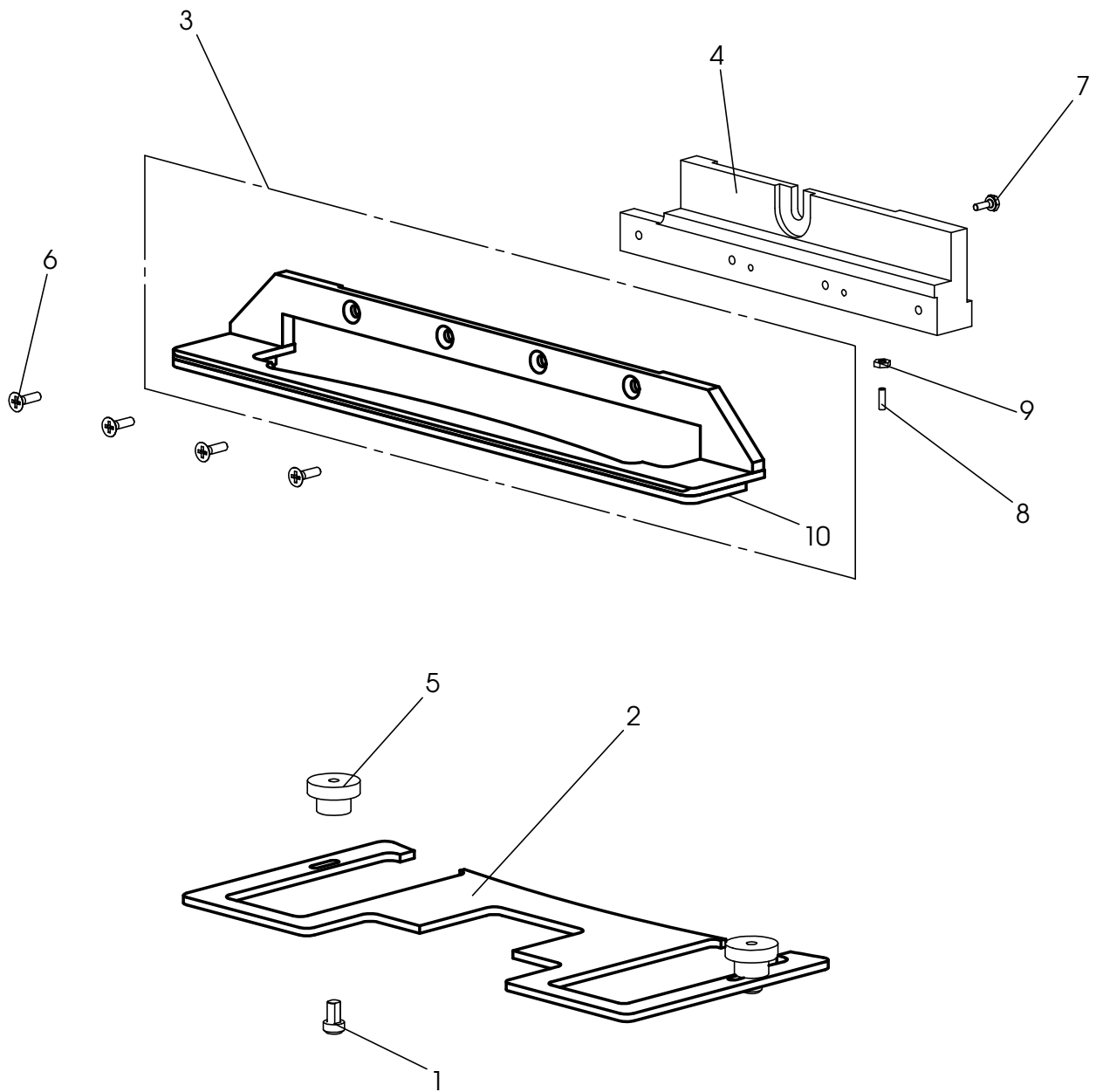
| NR. NO. | STÜCK PIECE | ARTIKEL NR. ARTICLE NO. | BEZEICHNUNG | NAME |
|------------|----------------|----------------------------|-------------------|--------------|
| 47 | 2 | DIN 965 M3x14 | Senkschraube | screw |
| 48 | 2 | DIN 912 M3x12 | Zylinderschraube | screw |
| 49 | 1 | DIN 912 M6x12 | Zylinderschraube | screw |
| 50 | 1 | 009749-00 | Anschlag | impact |
| 51 | 1 | 009928-00 | Halter | holder |
| 52 | 1 | 009927-00 | Halter | holder |
| 53 | 2 | DIN 912 M3x8 | Zylinderschraube | screw |
| 54 | 1 | 2000566-00 | Mikroschalter | micro switch |
| 55 | 1 | 1000228-00 | Zylinder | cylinder |
| 56 | 1 | 009920-00 | Halter | holder |
| 57 | 2 | DIN 85 M5x30 | Zylinderschraube | screw |
| 58 | 1 | 1400341-00 | Verschraubung | screw joint |
| 59 | 2 | DIN 84 M2x10 | Zylinderschraube | screw |
| 60 | 1 | DIN 933 M5x12 | Sechskantschraube | screw |
| 61 | 1 | DIN 439 A M5 | Sechskantmutter | nut |
| 62 | 1 | DIN 912 M6x20 | Zylinderschraube | screw |
| 2171 | | KLAMMERTRANSPORT | | Tafel 8 |



| NR. No. | STÜCK PIECE | ARTIKEL NR. ARTICLE NO. | BEZEICHNUNG | NAME |
|------------|----------------|----------------------------|------------------|-------------------|
| 1 | 2 | 008638-00 | Zentrierbolzen | center bolt |
| 2 | 1 | 012143-00 | Anschlag | stop unit |
| 3 | 1 | 009911-00 | Klammer komplett | clamp complete |
| 4 | 1 | 009760-00 | Klammerhalter | clamp holder |
| 5 | 2 | 009987-00 | Rändelmutter | milled nut |
| 6 | 4 | DIN 965 A M4x12 | Senkschraube | countersunk screw |
| 7 | 2 | DIN 913 M3x15 | Gewindestift | set screw |
| 8 | 2 | DIN 439 A M3 | Sechskantmutter | nut |
| 10 | 1 | 2600120-32 | Gummibelag 4mm | rubber coat 4mm |

| NR. No. | STÜCK PIECE | ARTIKEL NR. ARTICLE NO. | BEZEICHNUNG | NAME |
|------------|----------------|----------------------------|-------------|------|
| | | | | |

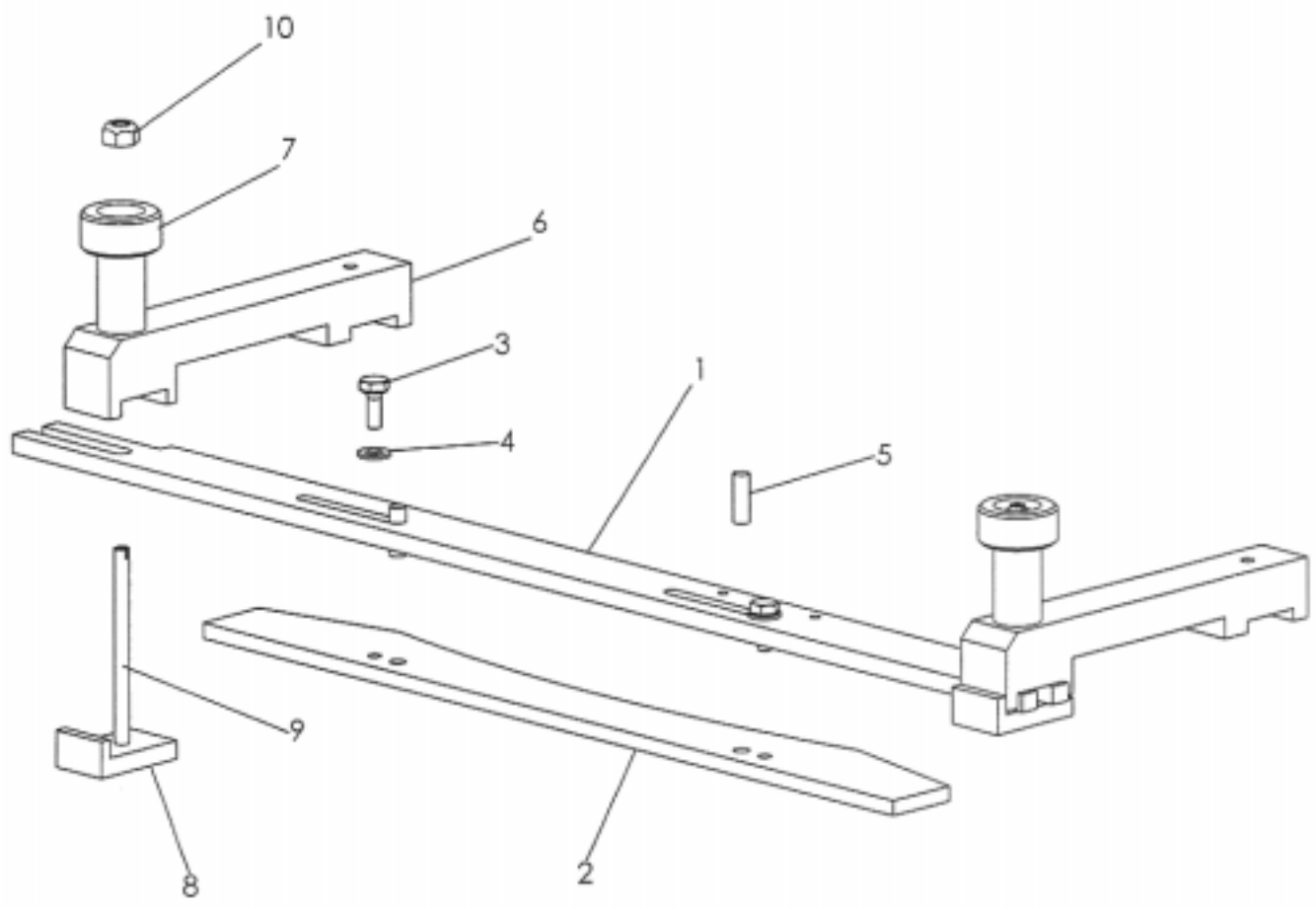
| | | |
|--|-----------------------|--|
| | KLAMMER GERADE 2171-5 | |
|--|-----------------------|--|



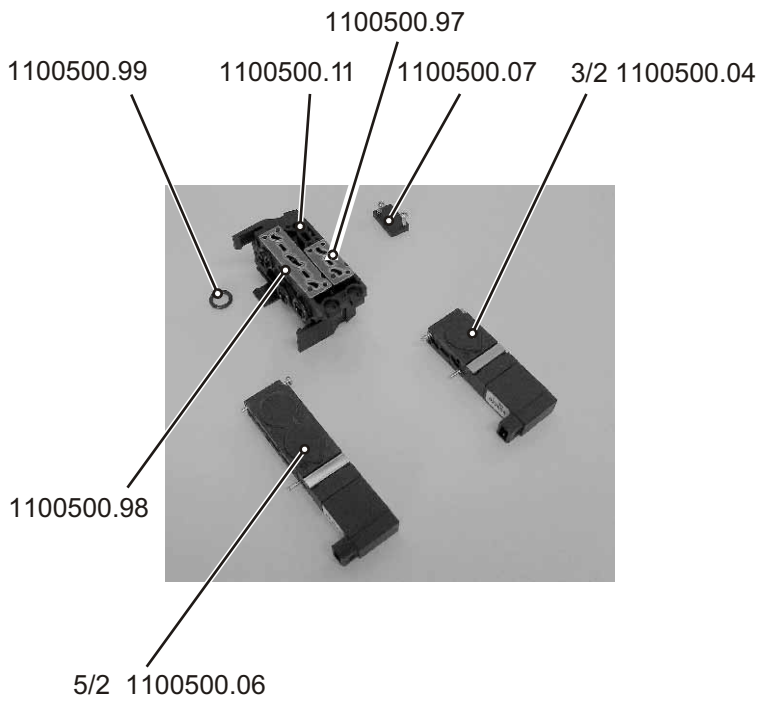
| NR. No. | STÜCK PIECE | ARTIKEL NR. ARTICLE NO. | BEZEICHNUNG | NAME |
|------------|----------------|----------------------------|-------------------|-------------------|
| 1 | 2 | 008638-00 | Zentrierbolzen | center bolt |
| 2 | 1 | 012141-00 | Anschlag gebogen | stop unit curved |
| 3 | 1 | 012142-00 | Klammer komplett | clamp complete |
| 4 | 1 | 009760-01 | Klammerhalter | clamp holder |
| 5 | 2 | 009987-00 | Rändelmutter | milled nut |
| 6 | 4 | DIN 965 A M4x12 | Senkschraube | countersunk screw |
| 7 | 1 | DIN 933 M3x8 | Sechskantschraube | screw |
| 8 | 2 | DIN 913 M3x15 | Gewindestift | set screw |
| 9 | 2 | DIN 439 A M3 | Sechskantmutter | nut |
| 10 | 1 | 2600120-32 | Gummibelag 4mm | rubber coat 4mm |

| NR. No. | STÜCK PIECE | ARTIKEL NR. ARTICLE NO. | BEZEICHNUNG | NAME |
|------------|----------------|----------------------------|-------------|------|
| | | | | |

| | | |
|--|------------------------|--|
| | KLAMMER GEBOGEN 2171-5 | |
|--|------------------------|--|



| NR. NO. | STÜCK PIECE | ARTIKEL NR. ARTICLE NO. | BEZEICHNUNG | NAME |
|------------|----------------|----------------------------|-------------------|---------------|
| 1 | 1 | 009915-00 | Schiene | rail |
| 2 | 1 | 012147-00 | Kurve | curve |
| 3 | 2 | DIN 933 M5x12 | Sechskantschraube | screw |
| 4 | 2 | DIN 125 A 5,3 | Scheibe | washer |
| 5 | 2 | DIN7 5h8x16 | Zylinderstift | pin |
| 6 | 2 | 009956-00 | Halter | holder |
| 7 | 2 | 009959-00 | Stellmutter | adjusting nut |
| 8 | 2 | 006771-01 | Halter | holder |
| 9 | 2 | DIN 913 M6x70 | Gewindestift | grub screw |
| 10 | 2 | DIN 985 M6 | Sechskantmutter | nut |
| 2171-5 | | KURVE | | Tafel 11 |



1100500.01

1300287.00

1100500.02

006927.00



2102021.39

2102021.17

2102021.37

2102021.08

2102021.38

2102135.00

2102131.00

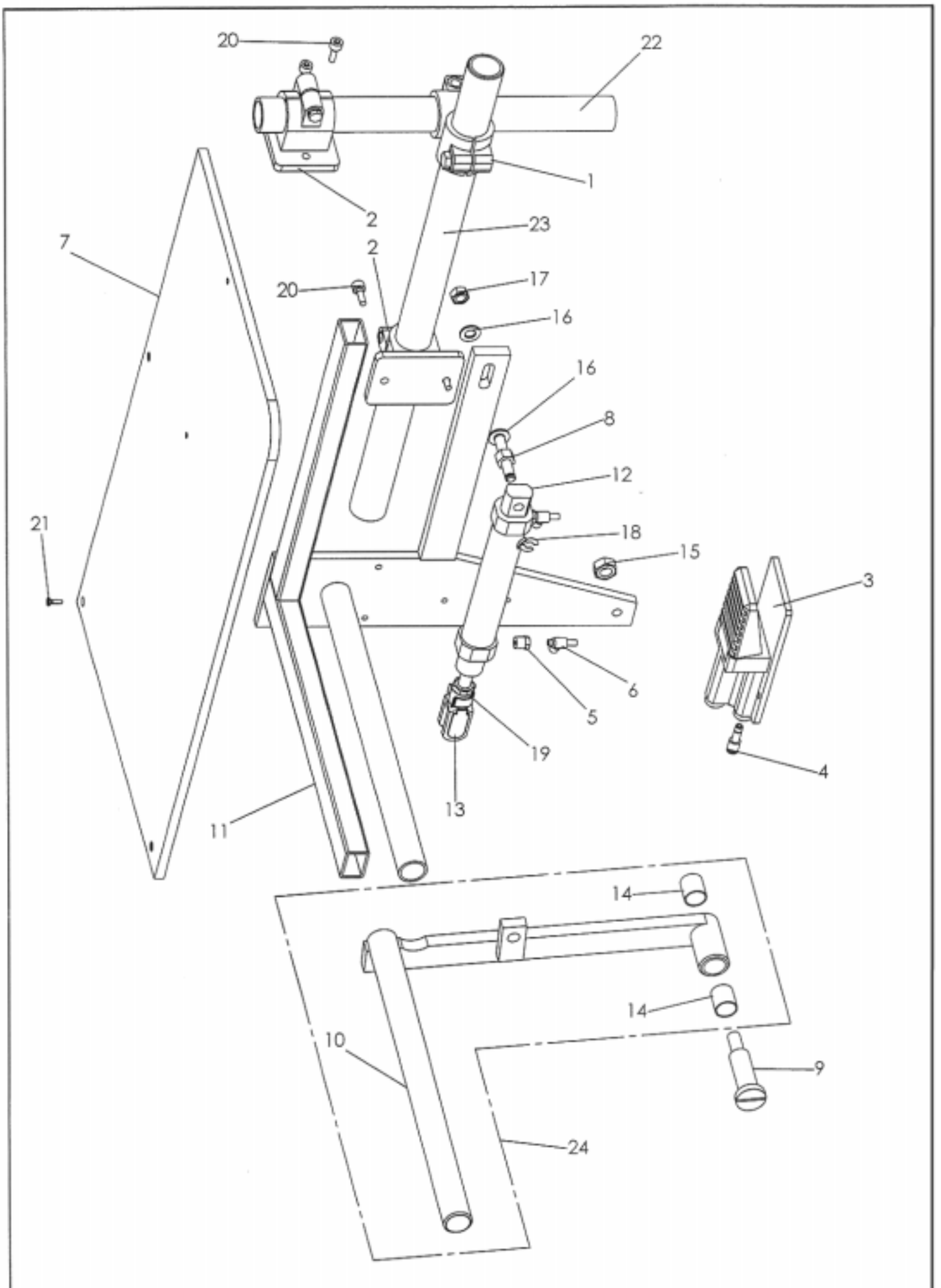




2400739.50



3402029.01



| NR. NO. | STÜCK PIECE | ARTIKEL NR. ARTICLE NO. | BEZEICHNUNG | NAME |
|------------|----------------|----------------------------|------------------|----------------|
| 1 | 1 | 1600431-00 | Klemme | clamp |
| 2 | 2 | 1600439-00 | Klemme | clamp |
| 3 | 1 | 1100192-00 | Fussventil | foot valve |
| 4 | 2 | 1100192-01 | Reduziernippel | adapter |
| 5 | 2 | 1300312-00 | Verschraubung | screw joint |
| 6 | 2 | 006927-00 | Drossel | throttle valve |
| 7 | 1 | 006011-00 | Ablage | rack |
| 8 | 1 | 006000-00 | Stehbolzen | stay bolt |
| 9 | 1 | 006002-00 | Schraube | screw |
| 10 | 1 | 006006-00 | Lasche | lug |
| 11 | 1 | 007654-00 | Halter | holder |
| 12 | 1 | 1000215-00 | Zylinder | cylinder |
| 13 | 1 | 1000217-00 | Gabelkopf | fork crown |
| 14 | 2 | 1500439-00 | DU Buchse | sleeve |
| 15 | 1 | DIN 934 M10 | Sechskantmutter | nut |
| 16 | 2 | DIN 125 A 8,4 | Scheibe | washer |
| 17 | 1 | DIN 934 M8 | Sechskantmutter | nut |
| 18 | 1 | SXN 7 | Sicherungsring | cir clip |
| 19 | 1 | DIN 439 M10x1,25 | Sechskantmutter | nut |
| 20 | 4 | DIN 912 M6x16 | Zylinderschraube | screw |
| 21 | 3 | DIN 965 M4x12 | Senkschraube | screw |
| 22 | 1 | 007811-00 | Rohr | tube |
| 23 | 1 | 007889-00 | Rohr | tube |
| 24 | 1 | 91.6006-00 | Lasche komplett | lug complete |
| 2171 | | BÜNDELKLAMMER | | Tafel 16 |

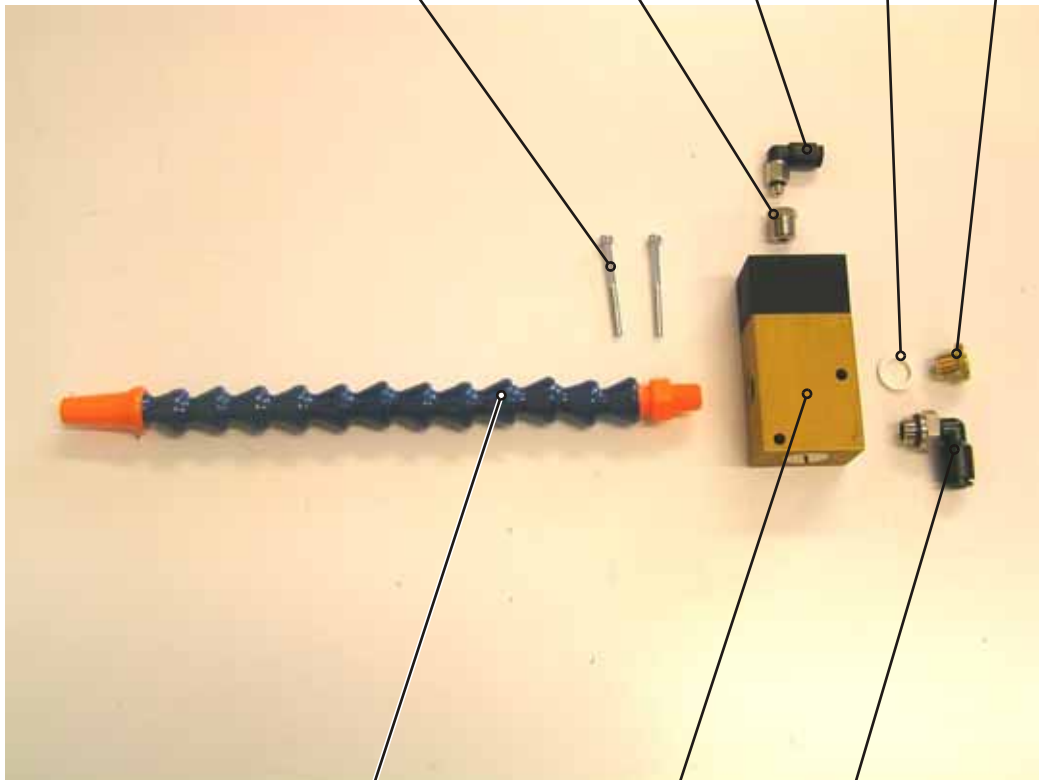
DIN 912 M3x30

1100312.00

1400345.00

1100243.00

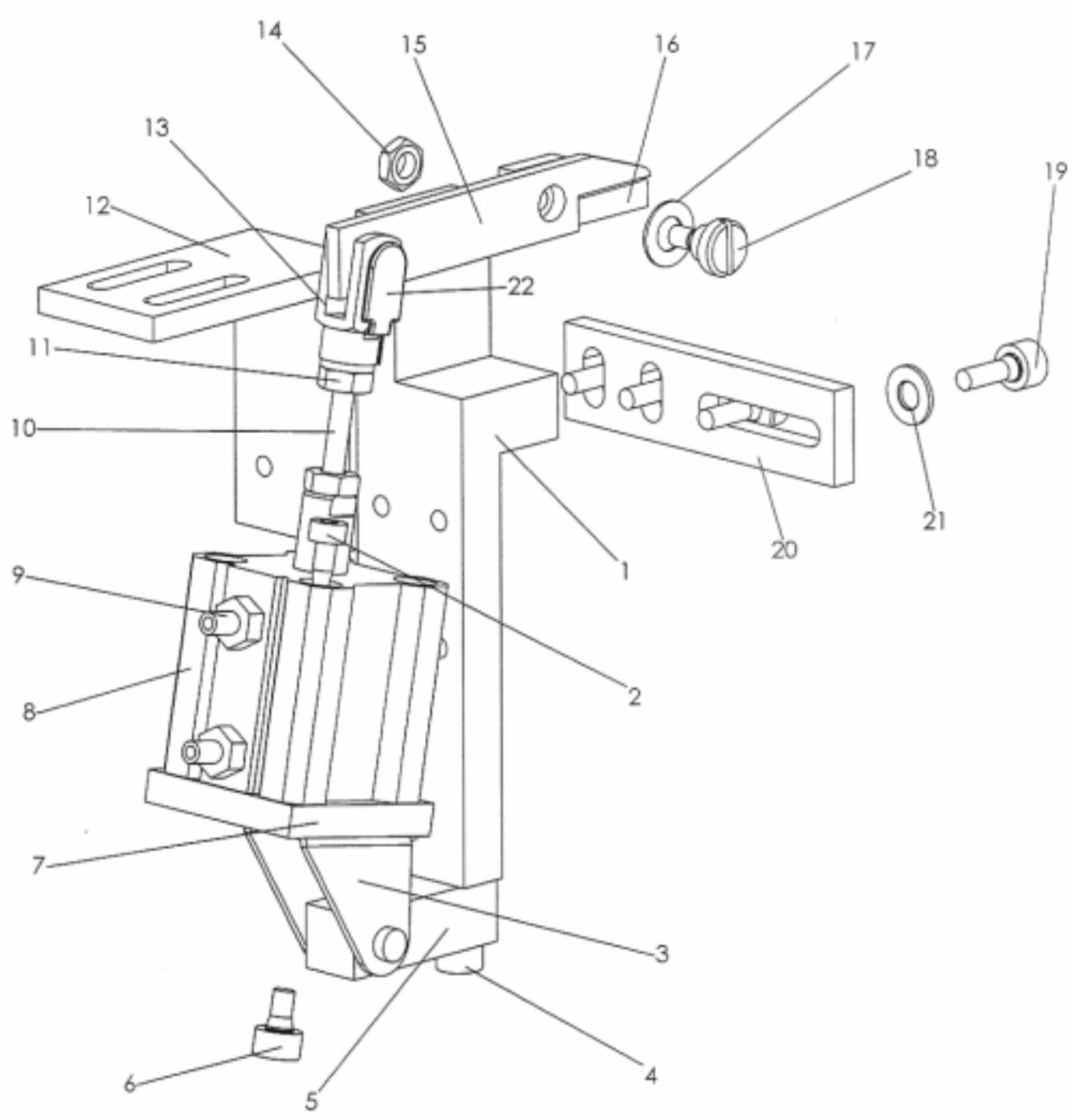
1100241.00



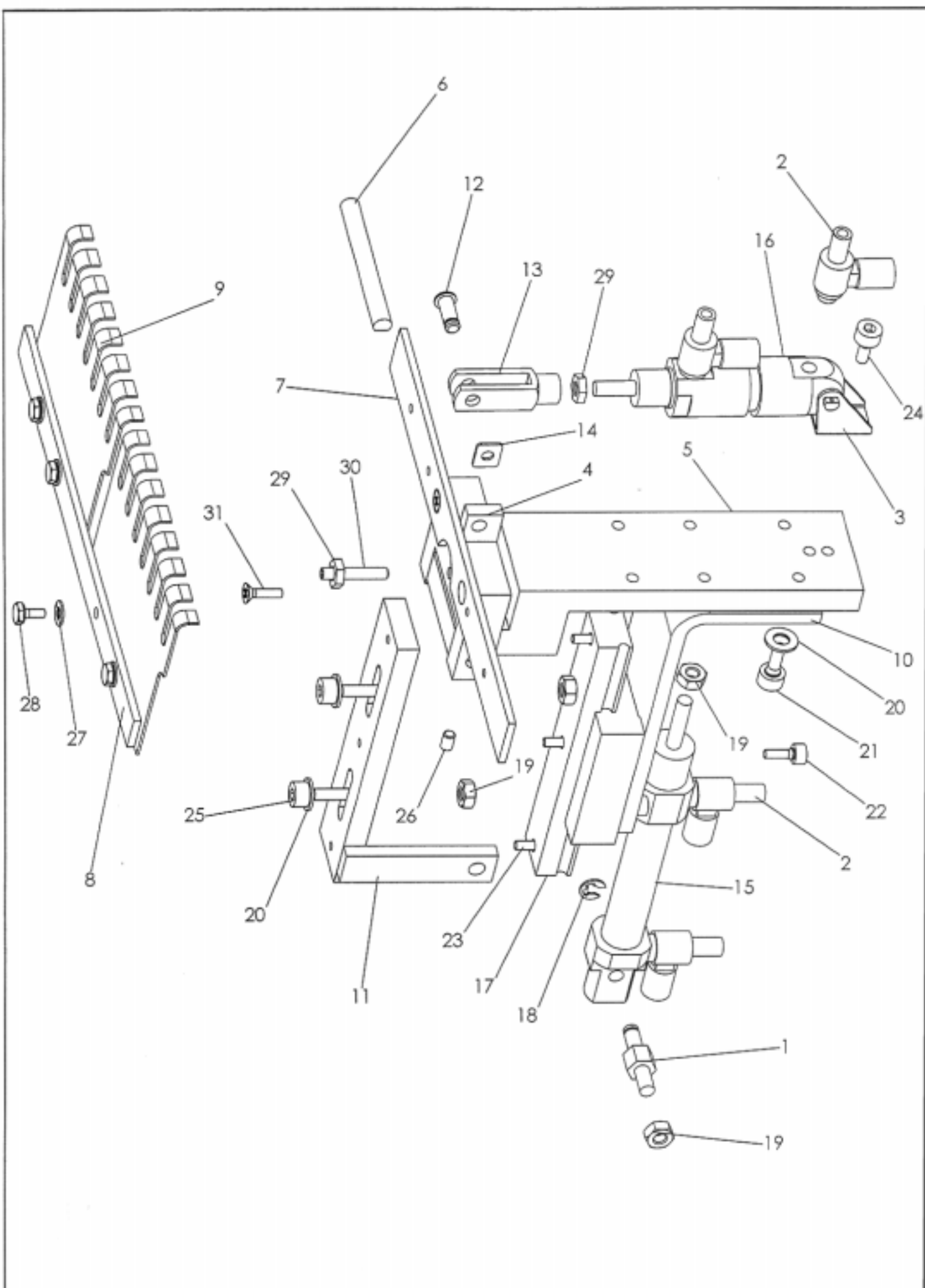
1200240.13

1100199.00

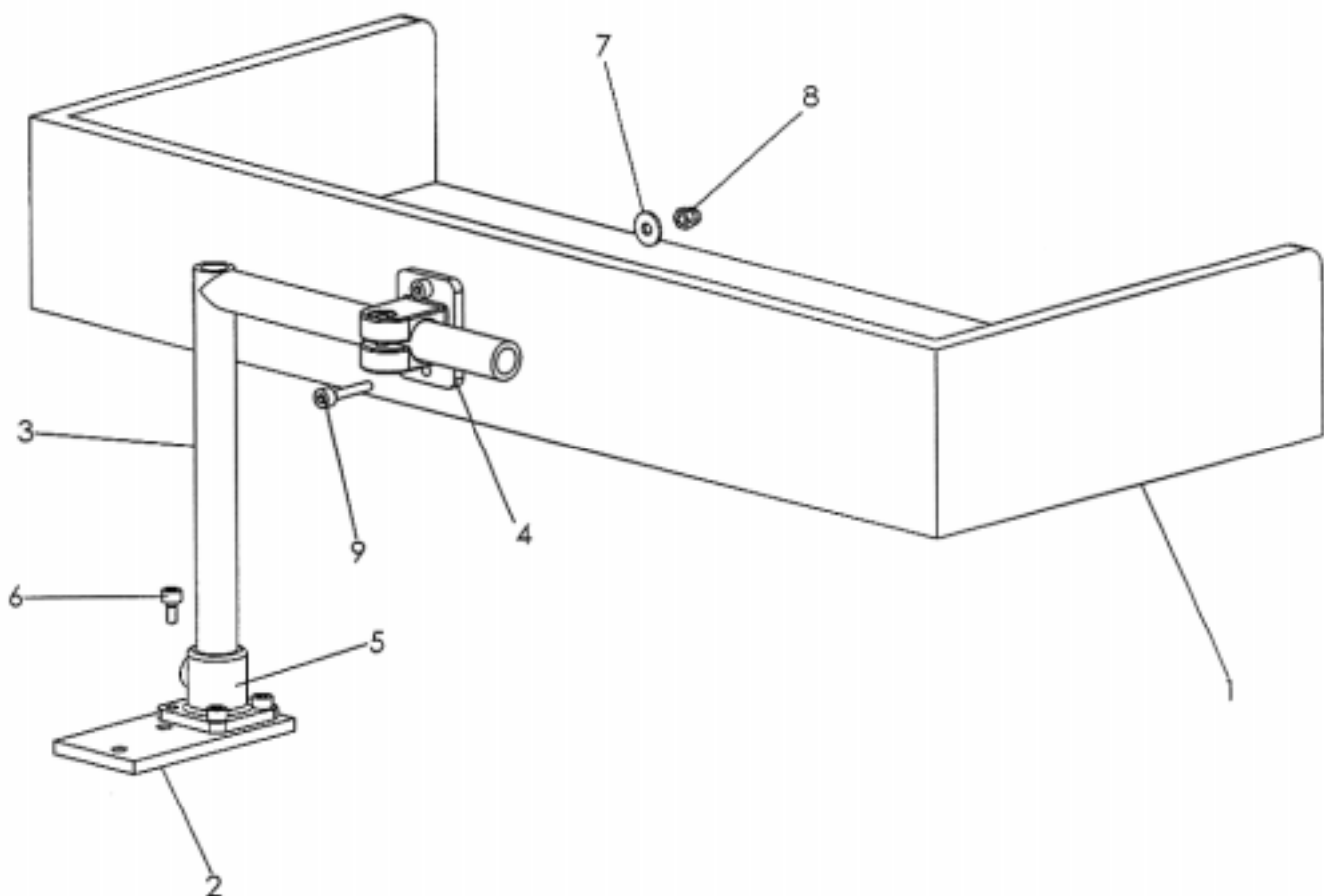
1300287.00



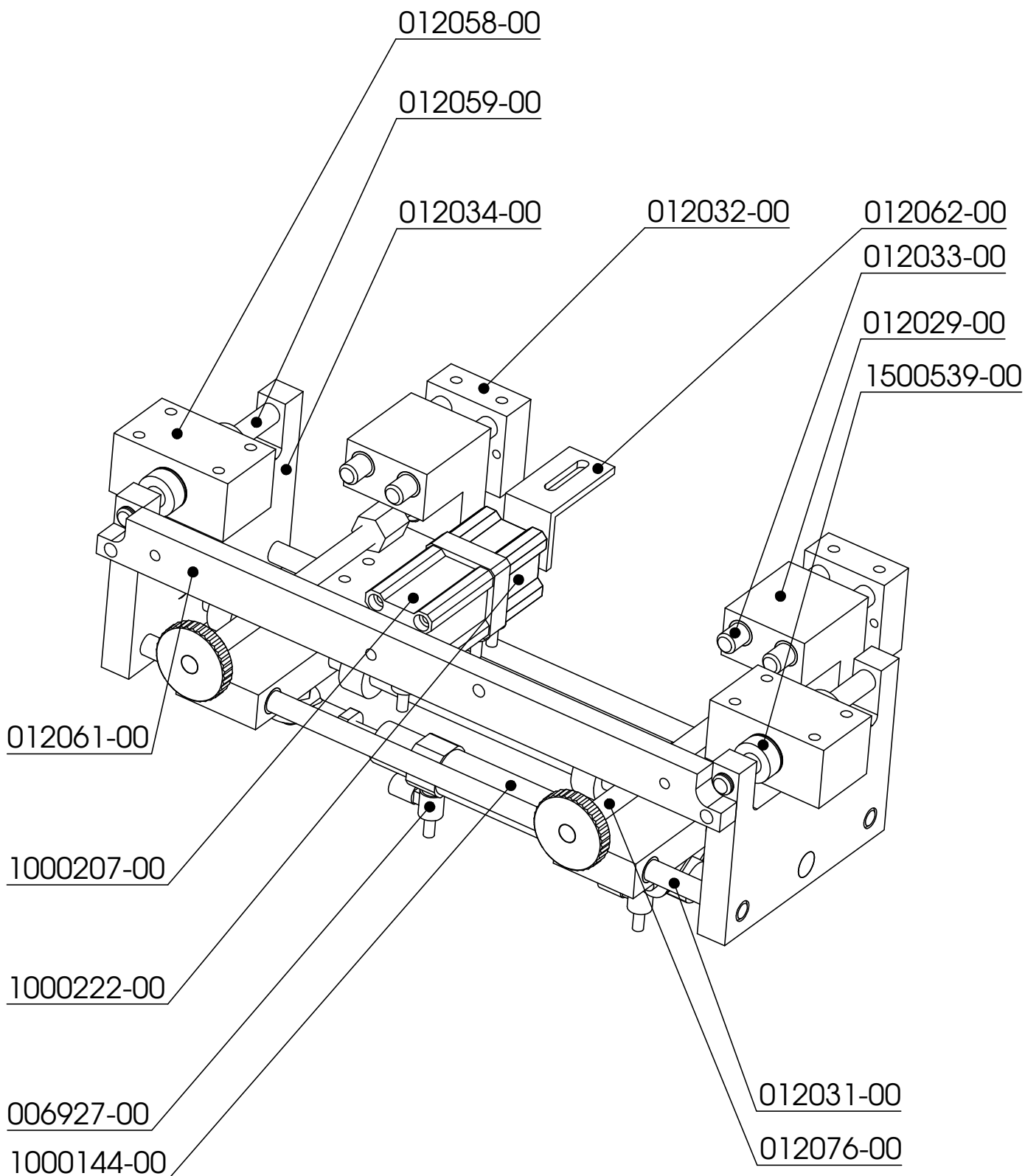
| NR. NO. | STÜCK PIECE | ARTIKEL NR. ARTICLE NO. | BEZEICHNUNG | NAME |
|------------|----------------|----------------------------|-------------------|---------------|
| 1 | 1 | 007189-00 | Scherenhalter | cuttholder |
| 2 | 2 | DIN 912 M3x35 | Zylinderschraube | screw |
| 3 | 1 | 1000100-00 | L-Befestigung | L-fastening |
| 4 | 2 | DIN 912 M4x16 | Zylinderschraube | screw |
| 5 | 1 | 009931-00 | Halter | holder |
| 6 | 2 | DIN 912 M4x6 | Zylinderschraube | screw |
| 7 | 1 | 009930-00 | Halter | holder |
| 8 | 1 | 1000198-00 | Zylinder | cylinder |
| 9 | 2 | 1400343-00 | Verschraubung | screw joint |
| 10 | 1 | DIN 913 M4x30 | Gewindestift | grub screw |
| 11 | 2 | DIN 934 M4 | Sechskantmutter | nut |
| 12 | 1 | 008644-00 | Haltewinkel | holder square |
| 13 | 1 | 1800511-00 | Gabelkopf | fork crown |
| 14 | 1 | DIN 439 M4 | Sechskantmutter | nut |
| 15 | 1 | 008531-00 | Messer | knife |
| 16 | 1 | 008532-00 | Messer | knife |
| 17 | 1 | DIN 137 A5 | Federscheibe | washer |
| 18 | 1 | DIN 923 M4x3 | Flachkopfschraube | screw |
| 19 | 4 | DIN 912 M4x10 | Zylinderschraube | screw |
| 20 | 1 | 008645-00 | Lasche | lug |
| 21 | 4 | DIN 125 A 4,3 | Scheibe | washer |
| 22 | 1 | 1800524-00 | ES-Bolzen | ES-bolt |
| 2171 | | EINZWICKSCHERE | | Tafel 18 |

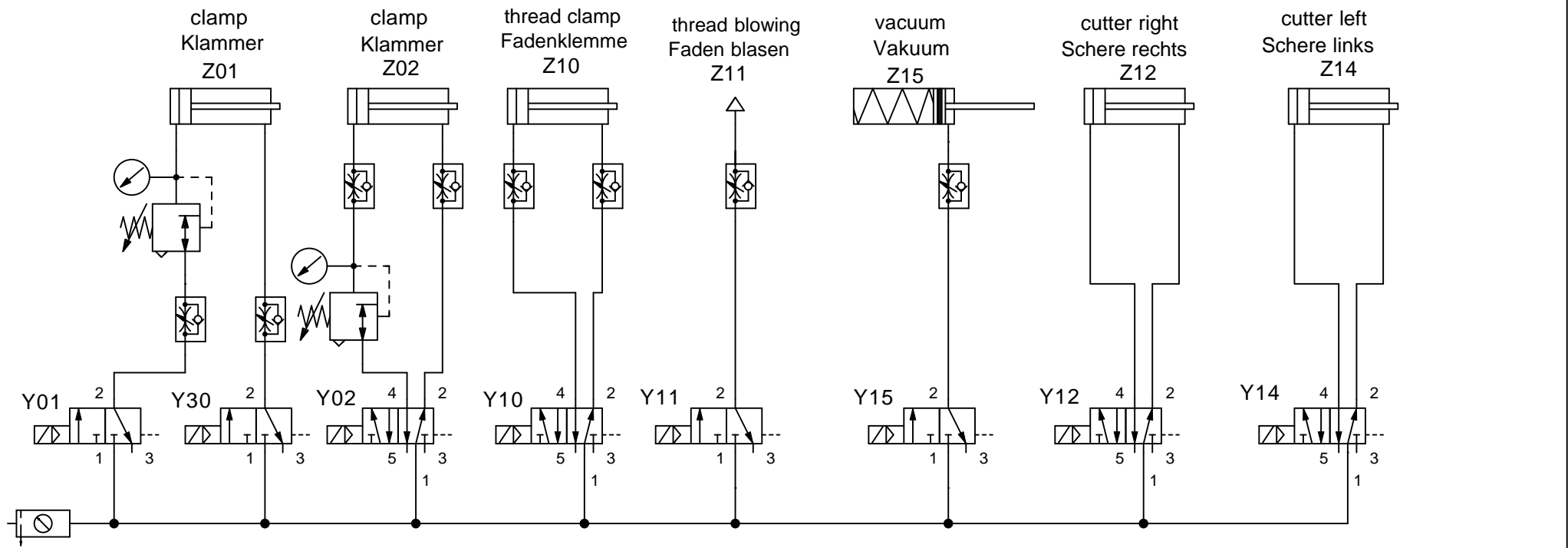


| NR. NO. | STÜCK PIECE | ARTIKEL NR. ARTICLE NO. | BEZEICHNUNG | NAME |
|------------|----------------|----------------------------|-------------------|--------------------|
| 1 | 1 | 005357-00 | Stehbolzen | stay bolt |
| 2 | 4 | 006927-00 | Drossel | throttle valve |
| 3 | 1 | 1000102-00 | L-Befestigung | L-fastening |
| 4 | 1 | 007185-00 | Lager | bearing |
| 5 | 1 | 007186-00 | Halter | holder |
| 6 | 1 | 007187-00 | Welle | shaft |
| 7 | 1 | 008538-00 | Leiste | ledge |
| 8 | 1 | 008539-00 | Lasche | lug |
| 9 | 2 | 008537-00 | Klemmblech | clamping plate |
| 10 | 1 | 008693-00 | Halter | holder |
| 11 | 1 | 008692-00 | Halter | holder |
| 12 | 1 | 1800533-00 | ES-Bolzen | ES-bolt |
| 13 | 1 | 1800512-00 | Gabelkopf | fork crown |
| 14 | 1 | 1800534-00 | Sicherungscheibe | cir clip |
| 15 | 1 | 1000158-00 | Zylinder | cylinder |
| 16 | 1 | 1000045-00 | Zylinder | cylinder |
| 17 | 1 | 006798-00 | Linearführung | linear motor guide |
| 18 | 1 | DIN 6799-3 | Sicherungsscheibe | cir clip |
| 19 | 4 | DIN 934 M4 | Sechskantmutter | nut |
| 20 | 4 | DIN 125 A 4,3 | Scheibe | washer |
| 21 | 2 | DIN 912 M4x10 | Zylinderschraube | screw |
| 22 | 4 | DIN 912 M3x8 | Zylinderschraube | screw |
| 23 | 3 | DIN 912 M3x10 | Zylinderschraube | screw |
| 24 | 1 | DIN 912 M4x8 | Zylinderschraube | screw |
| 25 | 2 | DIN 912 M4x16 | Zylinderschraube | screw |
| 26 | 2 | DIN 913 M4x5 | Gewindestift | grub screw |
| 27 | 4 | DIN125 A3,2 | Scheibe | washer |
| 28 | 4 | DIN 933 M3x6 | Sechskantschraube | screw |
| 29 | 2 | DIN 439 A M4 | Sechskantmutter | nut |
| 30 | 1 | DIN 913 M4x18 | Gewindestift | grub screw |
| 31 | 2 | DIN 965 A M3x10 | Senkschraube | screw |
| 2171 | | STOFFKLEMME | | Tafel 19 |

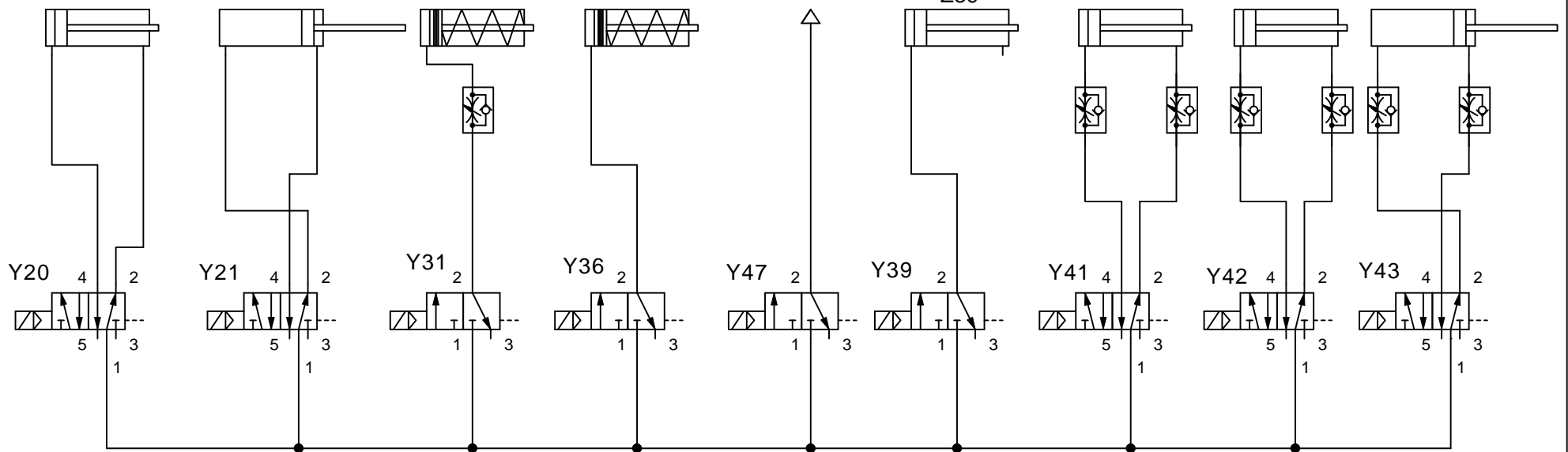


| NR. NO. | STÜCK PIECE | ARTIKEL NR. ARTICLE NO. | BEZEICHNUNG | NAME |
|------------|----------------|----------------------------|------------------|----------|
| 1 | 1 | 009991-01 | Ablage | rack |
| 2 | 1 | 010100-00 | Platte | plate |
| 3 | 1 | 007941-00 | Halter | holder |
| 4 | 1 | 1600445-00 | Klemme | clamp |
| 5 | 1 | 1600446-00 | Klemme | clamp |
| 6 | 4 | DIN 912 M5x10 | Zylinderschraube | screw |
| 7 | 2 | DIN 9021 - 5,3 | Scheibe | washer |
| 8 | 2 | DIN 1587 M5 | Hutmutter | cap nut |
| 9 | 2 | DIN 912 M5x25 | Zylinderschraube | screw |
| 2171 | | ABLAGE | | Tafel 20 |





fixing clamp forward - back Stoffklemme vor-zurück Z20
 fixing clamp up-down Stoffklemme auf-zu Z21
 thread trimmer Fadenschneider Z31
 tension release Spannungslüften Z36
 parts blowing out Teile ausblasen Y47
 Clamp stop transfer Übernahme Z39
 cutter active Schere aktiv Z41
 cutter forward Schere vorfahren Z42
 cutter apart Schere auseinander Z43



| | | | | | | | | | | |
|---|-----------|-------|-------|---------|----------|-------------------------------------------|-----------------------------------|--------|--------------------|-----------------------------------------------------------|
| a | Aenderung | Datum | Name | Datum | Name | Benennung: Pneumatikplan 2171-5 | Zeichnungs-Nr. P 2171-5 | Anlage | Blatt Nr. 1 | Beisler GmbH Frohnradstraße 10 63768 Hösbach |
| b | | | gez. | 10.7.06 | Reichenb | | | Ort | von | |
| c | | | gepr. | | | | | | 1 Blatt | |
| d | | | | | | | | | | |

BEISLER

NÄHAUTOMATION

271

**Oberteil DA Steppstich
SEWING HEAD DA LOCK STITCH**

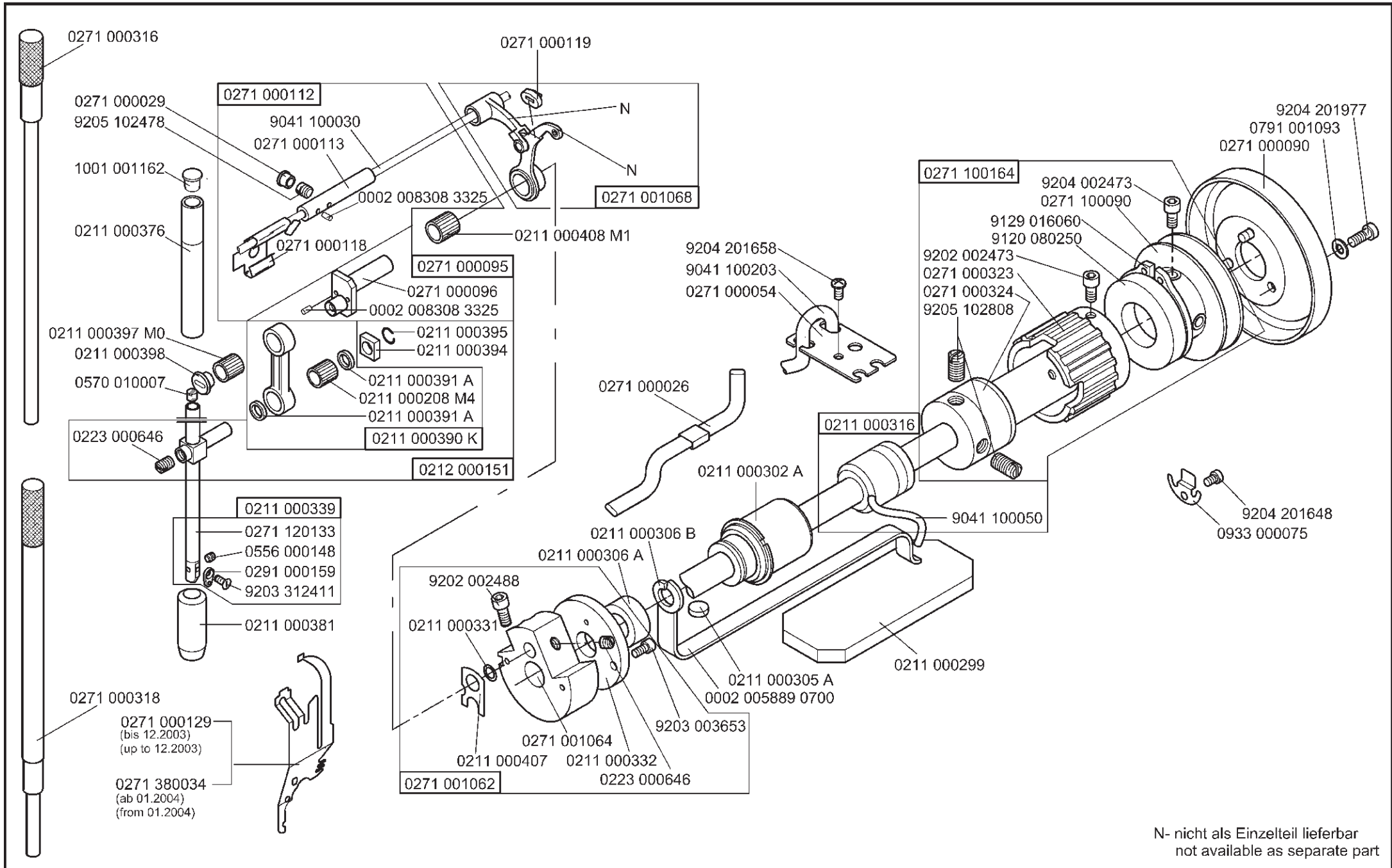
**TEILELISTE
SPARE PART LIST**

Stand 15.02.2005

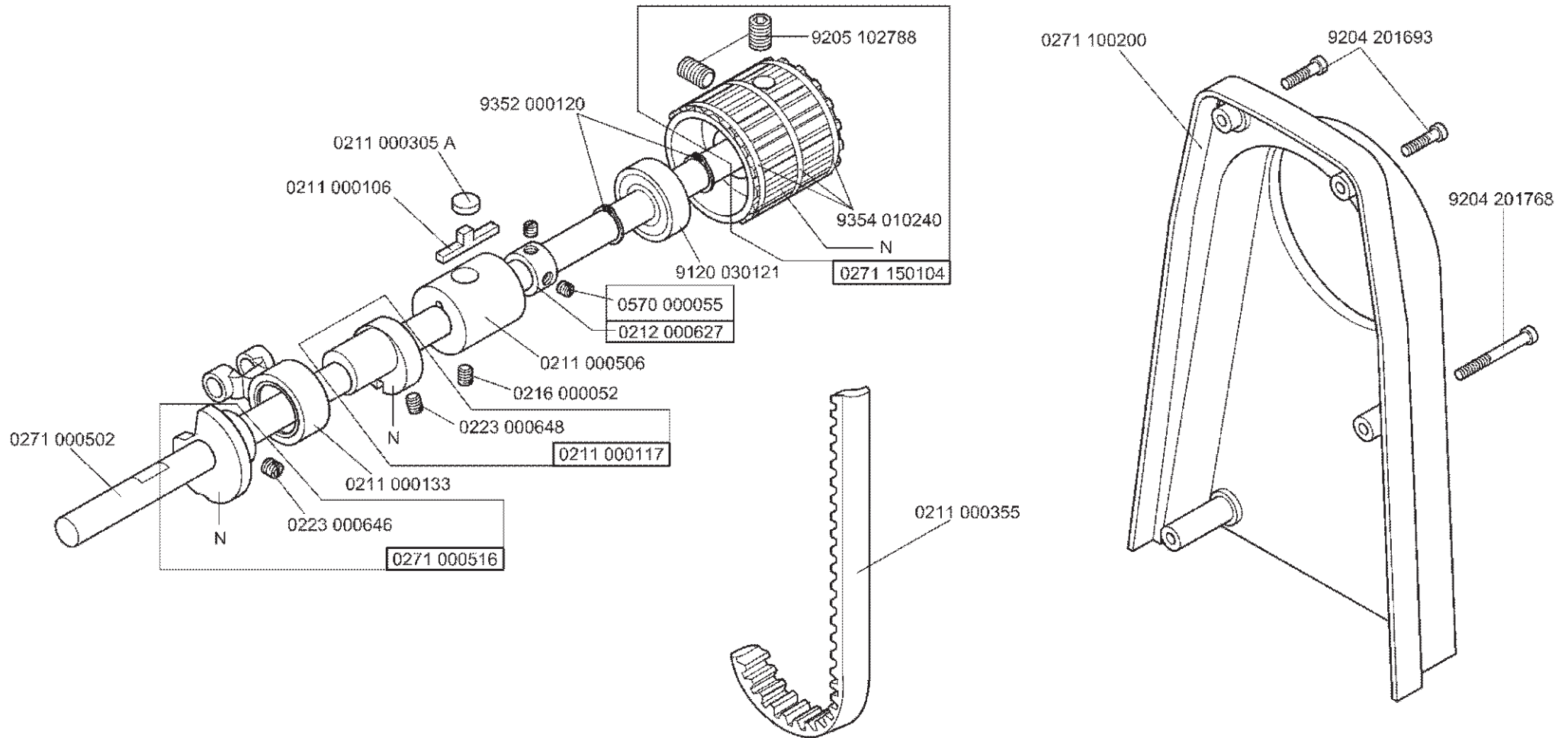
ERSATZTEILE BESTELLUNG/ SPARE PART ORDER

Frohnradstr. 10 * D-63768 Hösbach * Tel.-Nr. Service: (0 60 21) 50 19 40 * Fax: (0 60 21) 50 19 61

E-mail: Vertrieb@beisler-gmbh.de



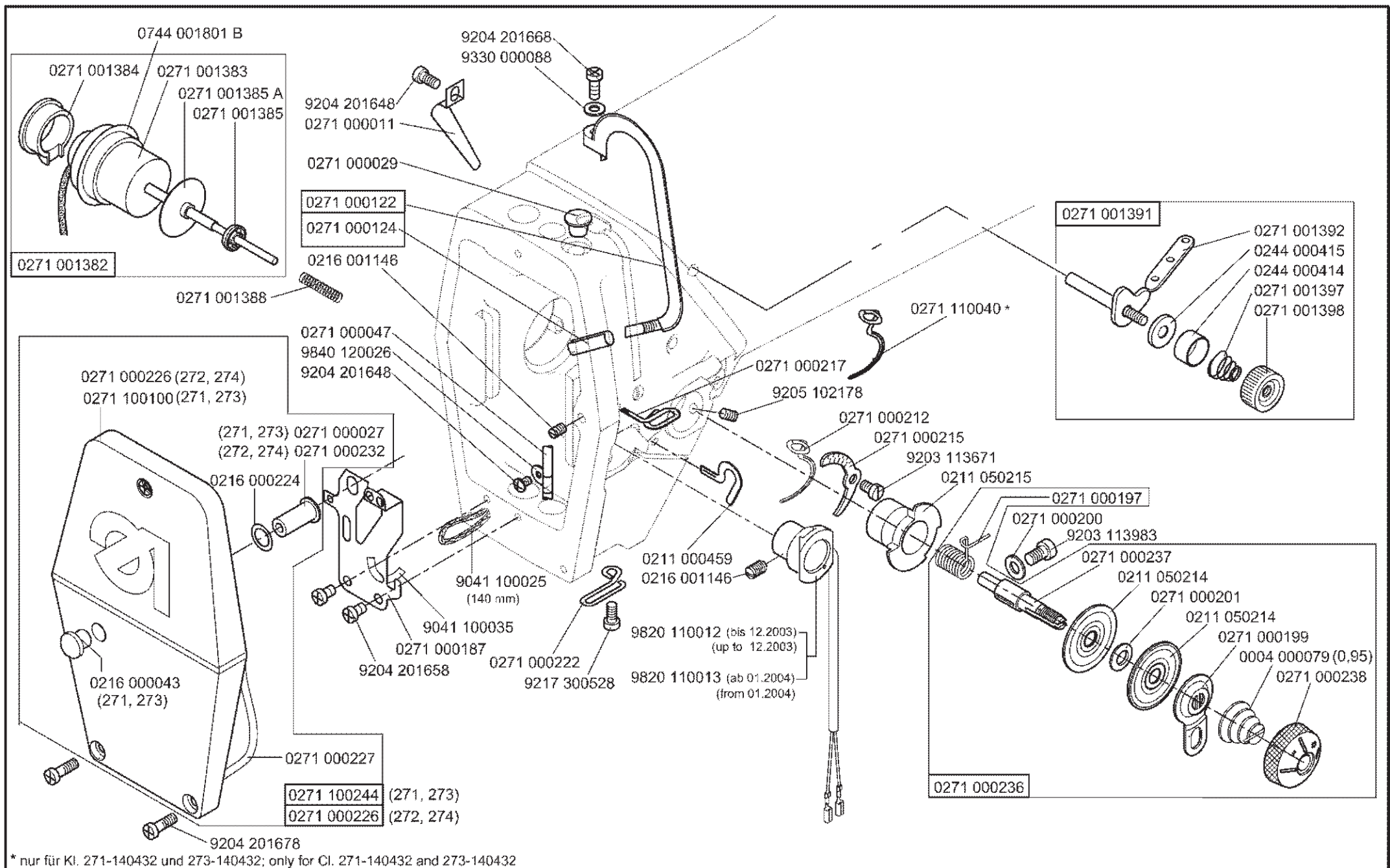
N- nicht als Einzelteil lieferbar
not available as separate part



N- nicht als Einzelteil lieferbar
not available as separate part

Scale 50 %

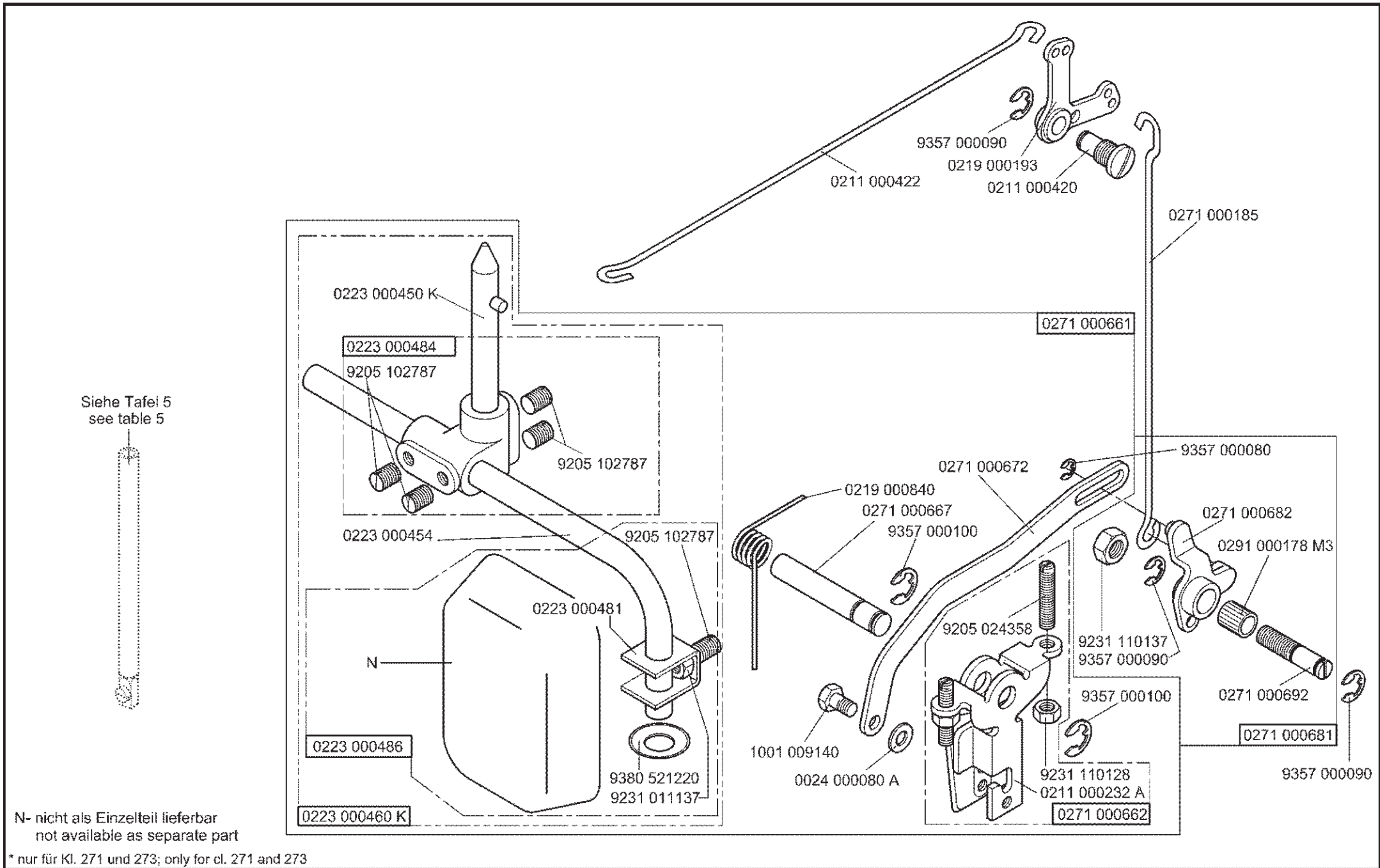
Ausgabe/Edition 12.2003



* nur für Kl. 271-140432 und 273-140432; only for Cl. 271-140432 and 273-140432

Scale 50 %

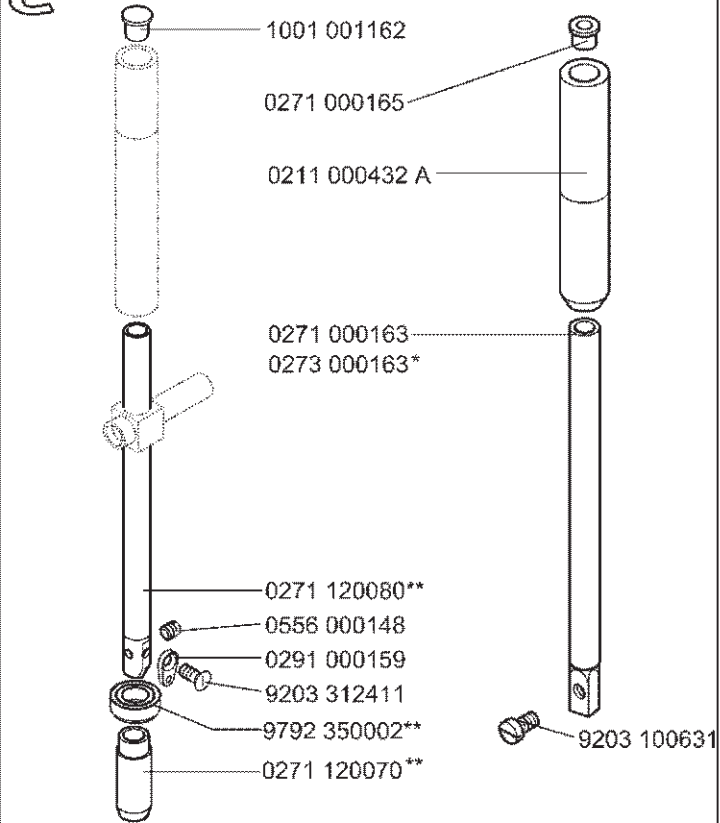
Ausgabe/Edition 04.2004



Scale 50 %

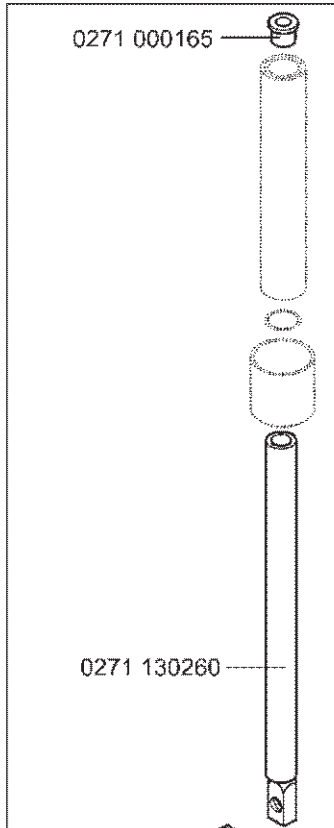
Ausgabe/Edition 12.2003

Cl. 271, 273

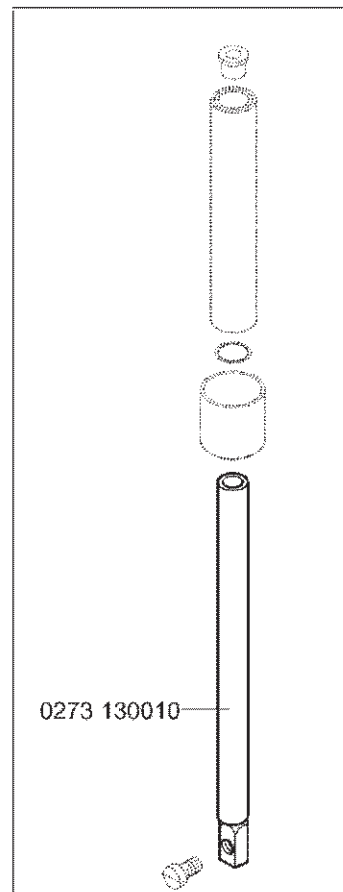


*nur für Kl. 273-140342
only for cl. 273-140342

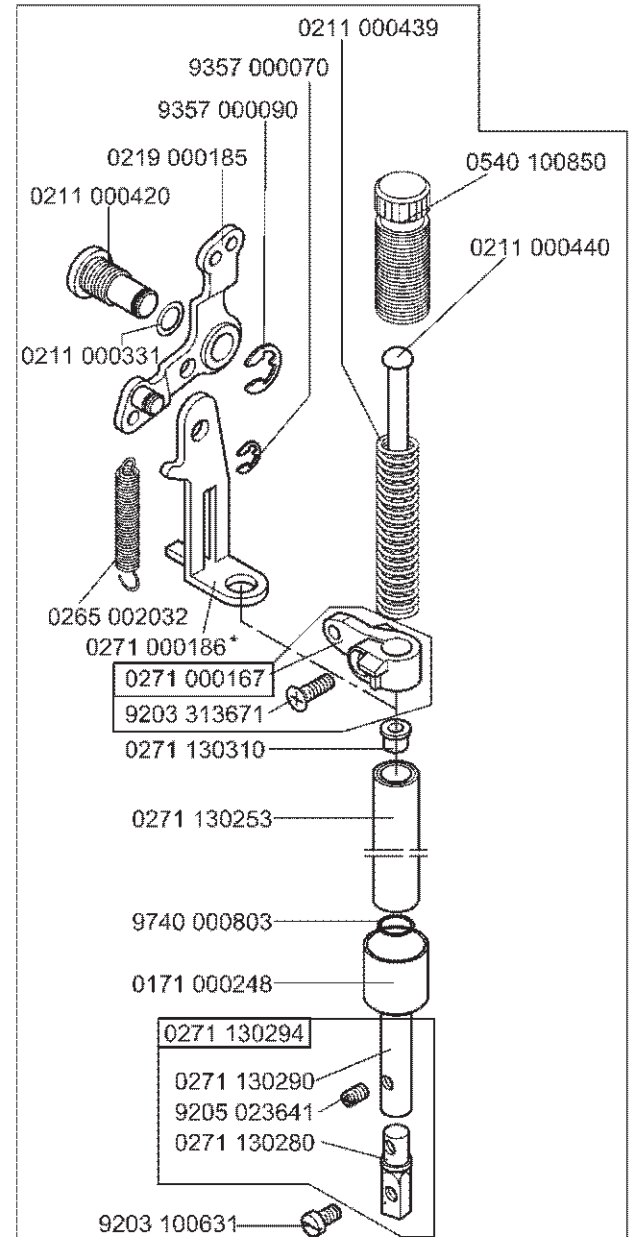
**nur für Kl. 271-140432, -140442, -140332, -140342
only for cl. 271-140432, -140442, -140332, -140342



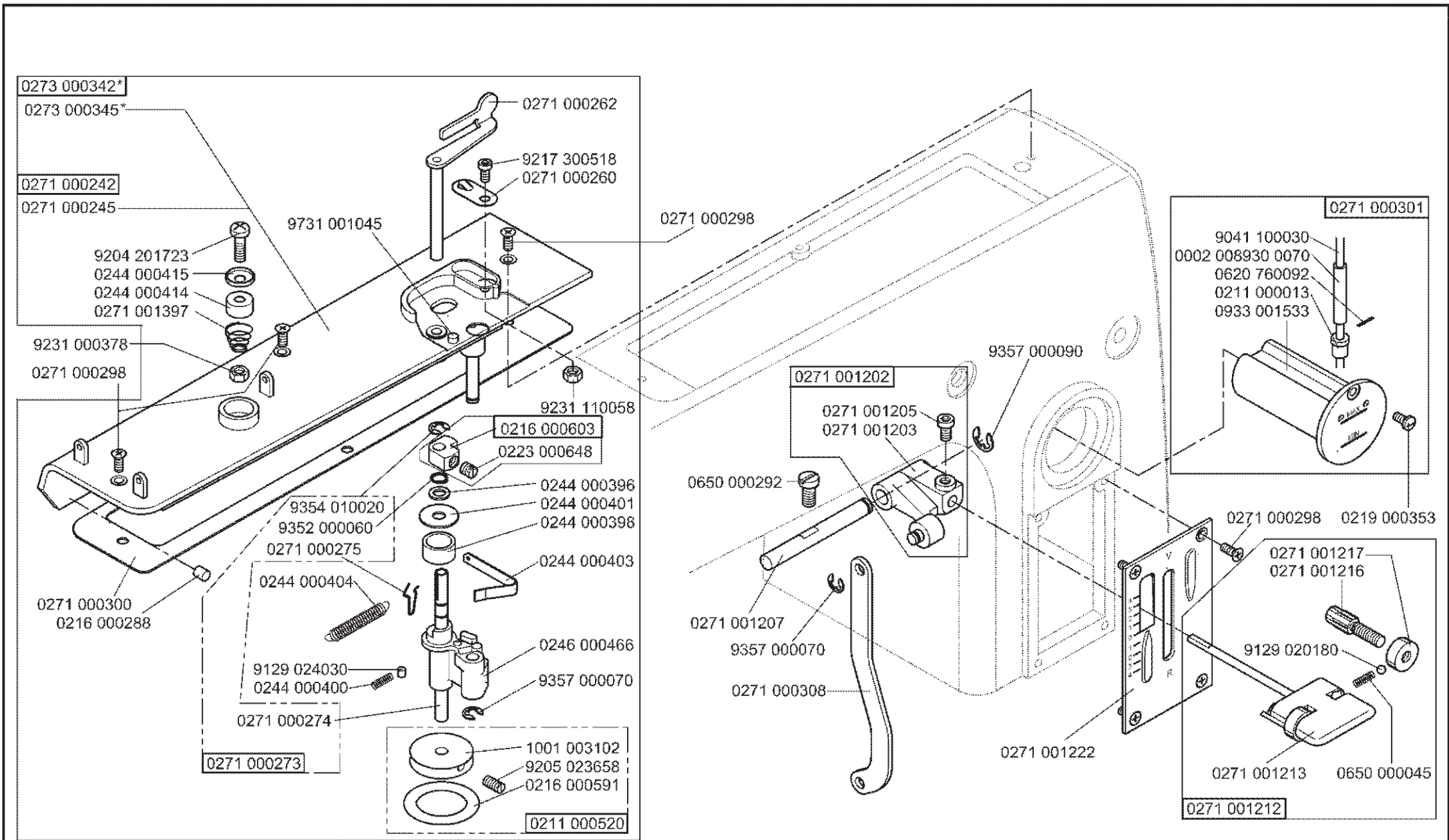
nur für Kl. 271-140442;
only for cl. 271-140442



nur für Kl. 273-140432;
only for cl. 273-140432



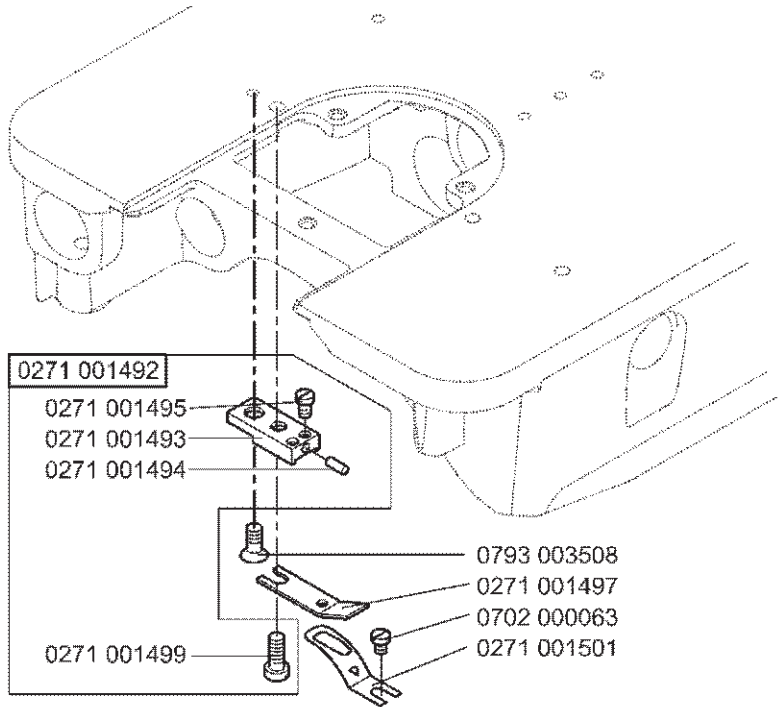
nur für Kl. 271-140331; -140332; -140432
only for cl. 271-140331; -140332; -140432



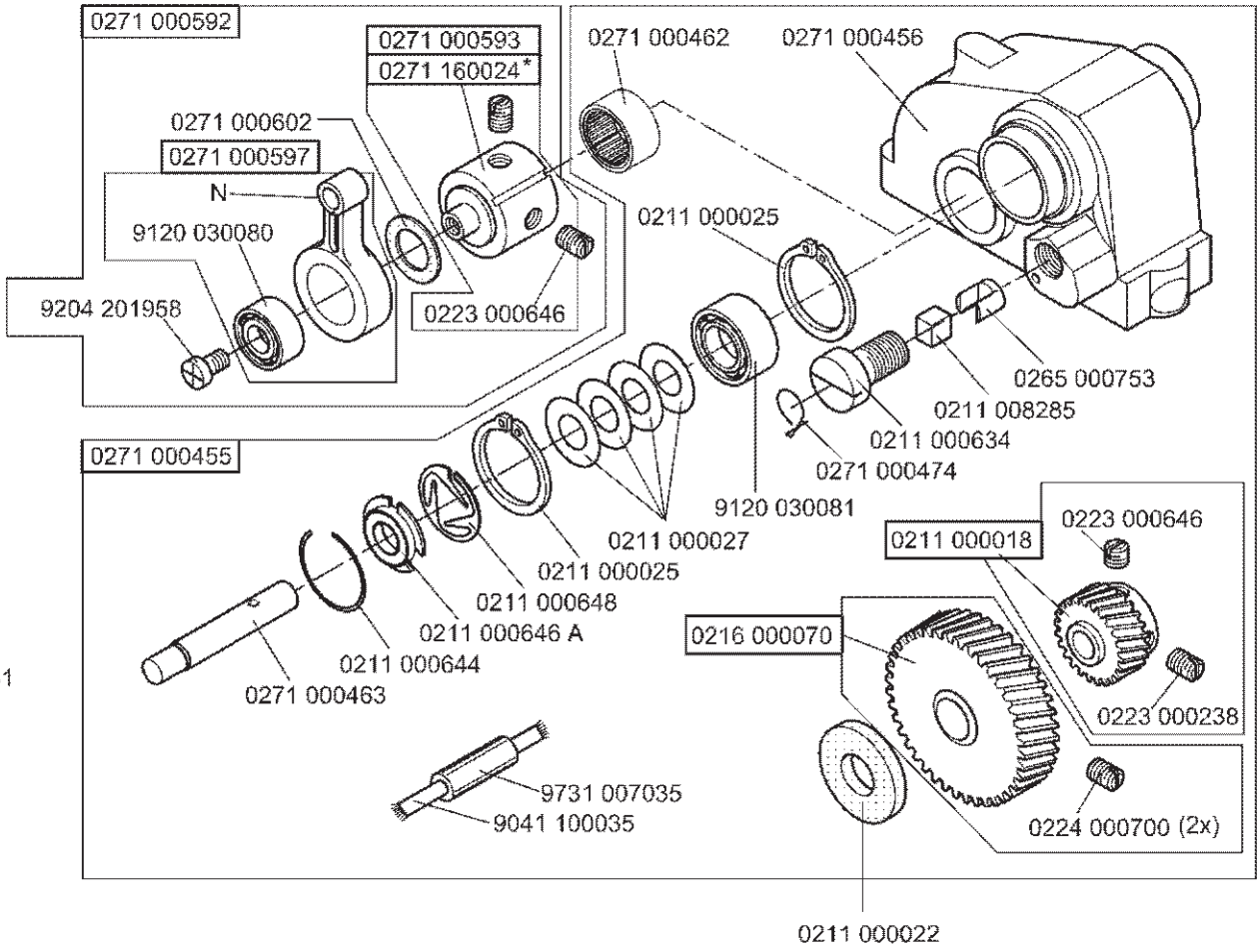
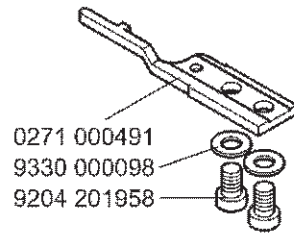
* nur für Kl. 272-740642, 273-140342, -140432 und 274-140342; only for cl. 272-740642, 273-140342, -140432 and 274-140342

Scale 40 %

Ausgabe/Edition 04.2004

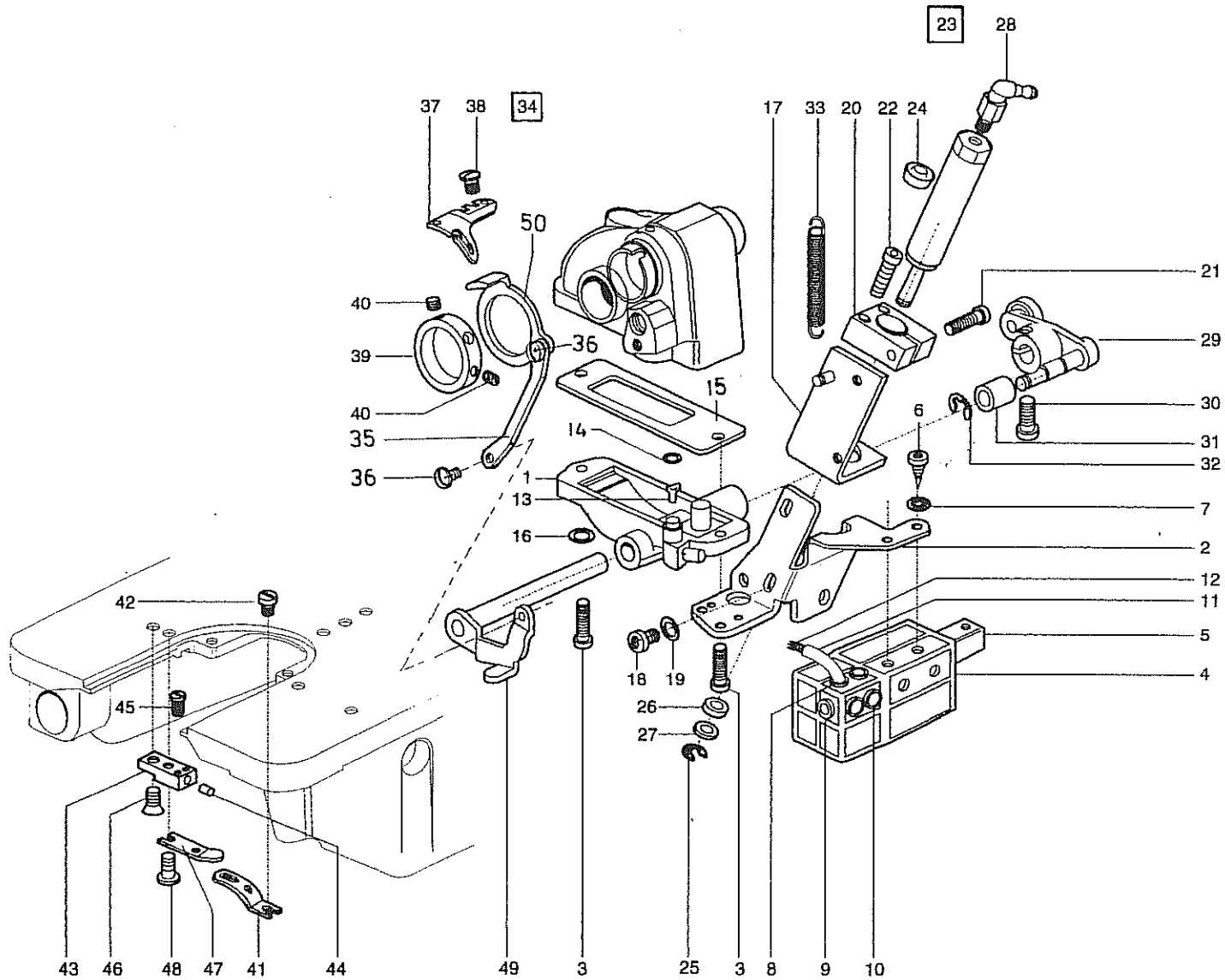


Greifer siehe Tafel 18, 30, 31
Hook see table 18, 30, 31

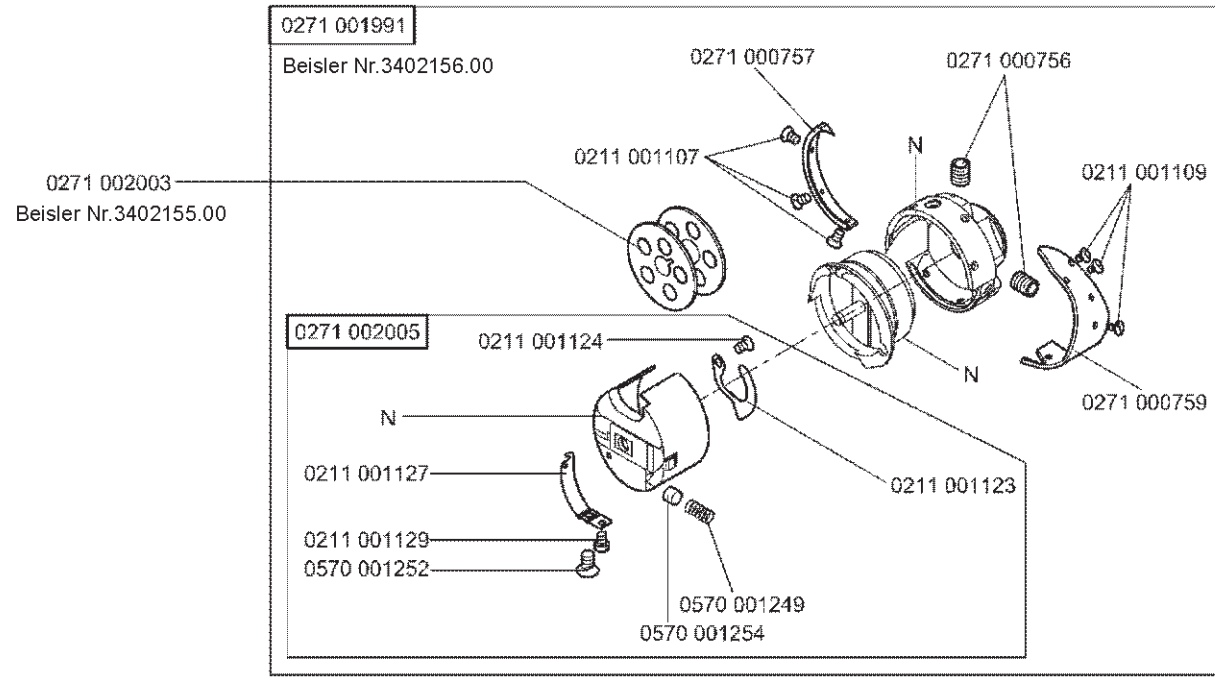


N- nicht als Einzelteil lieferbar
not available as separate part

* nur für Kl. 273-140432; only for Cl. 273-140432



N- nicht als Einzelteil lieferbar
not available as separate part



0271 590034

auf Wunsch
on request

