

( 縫製エリア拡張仕様/ EXTENDED SEWING AREA TYPE )

# AMS-210DHL-6100

## 取扱説明書 / パーツリスト

## INSTRUCTION MANUAL / PARTS LIST

安全に使用していただくために使用前に、必ずこの取扱説明書をお読みください。  
また、いつでもすぐに読めるように、この取扱説明書を保管してください。

Read safety instructions carefully and understand them before using.  
Retain this Instruction Manual for future reference.



### 注意

本取扱説明書は、AMS-210DHL-6100についての説明書です。  
事前に同梱のAMS-210Dの取扱説明書の「安全についての注意事項」を読み、十分理解の上で使用ください。

#### NOTE :



This Instruction Manual is the Instruction Manual for AMS-210DHL-6100. Read "Safety Instructions" described in the Instruction Manual for AMS-210D packed together with this machine and fully understand them before using your AMS-210DHL-6100.

1. General Information  
 Name: \_\_\_\_\_  
 Address: \_\_\_\_\_  
 City: \_\_\_\_\_  
 State: \_\_\_\_\_  
 Zip: \_\_\_\_\_  
 Date: \_\_\_\_\_

2. Personal Information  
 Age: \_\_\_\_\_  
 Sex: \_\_\_\_\_  
 Height: \_\_\_\_\_  
 Weight: \_\_\_\_\_  
 Blood Type: \_\_\_\_\_  
 Religion: \_\_\_\_\_  
 Marital Status: \_\_\_\_\_  
 Number of Children: \_\_\_\_\_

3. Medical History  
 Present Illness: \_\_\_\_\_  
 Past Illnesses: \_\_\_\_\_  
 Allergies: \_\_\_\_\_  
 Current Medications: \_\_\_\_\_  
 Family History: \_\_\_\_\_  
 Social History: \_\_\_\_\_  
 Smoking: \_\_\_\_\_  
 Alcohol: \_\_\_\_\_  
 Drug Use: \_\_\_\_\_

4. Physical Examination  
 General: \_\_\_\_\_  
 Vital Signs: \_\_\_\_\_  
 HEENT: \_\_\_\_\_  
 Lungs: \_\_\_\_\_  
 Heart: \_\_\_\_\_  
 Abdomen: \_\_\_\_\_  
 Extremities: \_\_\_\_\_  
 Neurological: \_\_\_\_\_  
 Skin: \_\_\_\_\_  
 Special: \_\_\_\_\_

5. Diagnosis  
 Primary: \_\_\_\_\_  
 Secondary: \_\_\_\_\_  
 Tertiary: \_\_\_\_\_  
 Differential: \_\_\_\_\_  
 Pathophysiology: \_\_\_\_\_  
 Prognosis: \_\_\_\_\_  
 Treatment: \_\_\_\_\_  
 Follow-up: \_\_\_\_\_

6. Discussion  
 Epidemiology: \_\_\_\_\_  
 Etiology: \_\_\_\_\_  
 Pathogenesis: \_\_\_\_\_  
 Clinical Features: \_\_\_\_\_  
 Diagnostic Tests: \_\_\_\_\_  
 Management: \_\_\_\_\_  
 Prevention: \_\_\_\_\_  
 Prognosis: \_\_\_\_\_

7. References  
 1. \_\_\_\_\_  
 2. \_\_\_\_\_  
 3. \_\_\_\_\_  
 4. \_\_\_\_\_  
 5. \_\_\_\_\_  
 6. \_\_\_\_\_  
 7. \_\_\_\_\_  
 8. \_\_\_\_\_  
 9. \_\_\_\_\_  
 10. \_\_\_\_\_

8. Conclusion  
 Summary: \_\_\_\_\_  
 Key Points: \_\_\_\_\_  
 Recommendations: \_\_\_\_\_  
 Further Reading: \_\_\_\_\_  
 Additional Resources: \_\_\_\_\_

9. Appendix  
 A. \_\_\_\_\_  
 B. \_\_\_\_\_  
 C. \_\_\_\_\_  
 D. \_\_\_\_\_  
 E. \_\_\_\_\_  
 F. \_\_\_\_\_  
 G. \_\_\_\_\_  
 H. \_\_\_\_\_  
 I. \_\_\_\_\_  
 J. \_\_\_\_\_

10. Index  
 A. \_\_\_\_\_  
 B. \_\_\_\_\_  
 C. \_\_\_\_\_  
 D. \_\_\_\_\_  
 E. \_\_\_\_\_  
 F. \_\_\_\_\_  
 G. \_\_\_\_\_  
 H. \_\_\_\_\_  
 I. \_\_\_\_\_  
 J. \_\_\_\_\_

11. References  
 1. \_\_\_\_\_  
 2. \_\_\_\_\_  
 3. \_\_\_\_\_  
 4. \_\_\_\_\_  
 5. \_\_\_\_\_  
 6. \_\_\_\_\_  
 7. \_\_\_\_\_  
 8. \_\_\_\_\_  
 9. \_\_\_\_\_  
 10. \_\_\_\_\_

12. Conclusion  
 Summary: \_\_\_\_\_  
 Key Points: \_\_\_\_\_  
 Recommendations: \_\_\_\_\_  
 Further Reading: \_\_\_\_\_  
 Additional Resources: \_\_\_\_\_

13. Appendix  
 A. \_\_\_\_\_  
 B. \_\_\_\_\_  
 C. \_\_\_\_\_  
 D. \_\_\_\_\_  
 E. \_\_\_\_\_  
 F. \_\_\_\_\_  
 G. \_\_\_\_\_  
 H. \_\_\_\_\_  
 I. \_\_\_\_\_  
 J. \_\_\_\_\_

14. Index  
 A. \_\_\_\_\_  
 B. \_\_\_\_\_  
 C. \_\_\_\_\_  
 D. \_\_\_\_\_  
 E. \_\_\_\_\_  
 F. \_\_\_\_\_  
 G. \_\_\_\_\_  
 H. \_\_\_\_\_  
 I. \_\_\_\_\_  
 J. \_\_\_\_\_

15. References  
 1. \_\_\_\_\_  
 2. \_\_\_\_\_  
 3. \_\_\_\_\_  
 4. \_\_\_\_\_  
 5. \_\_\_\_\_  
 6. \_\_\_\_\_  
 7. \_\_\_\_\_  
 8. \_\_\_\_\_  
 9. \_\_\_\_\_  
 10. \_\_\_\_\_

16. Conclusion  
 Summary: \_\_\_\_\_  
 Key Points: \_\_\_\_\_  
 Recommendations: \_\_\_\_\_  
 Further Reading: \_\_\_\_\_  
 Additional Resources: \_\_\_\_\_

## 目次

I. 仕様	1
II. 据え付け	1
III. 保守	2
1. ミシンを倒す場合	2
IV. パーツリスト	3
1. AMS-210DHL-6100/-6100P専用部品 (1)	3
2. AMS-210DHL-6100/-6100P専用部品 (2)	5
3. AMS-210DHL-6100/-6100P専用部品 (3)	7

## CONTENTS

I. SPECIFICATIONS	1
II. INSTALLATION	1
III. MAINTENANCE	2
1. When tilting the sewing machine head	2
IV. PARTS LIST	3
1. Exclusive parts for AMS-210DHL-6100/-6100P (1)	3
2. Exclusive parts for AMS-210DHL-6100/-6100P (2)	5
3. Exclusive parts for AMS-210DHL-6100/-6100P (3)	7

## I. 仕様 / SPECIFICATIONS

縫製範囲 X (左右) 方向 220 mm Y (前後) 方向 60 mm

\* 上記以外の仕様はAMS-210Dと共通です。

Sewing area : X (lateral) direction 220 mm Y (longitudinal) direction 60 mm

\* Specifications other than those described above are the same as those of AMS-210D.

## II. 据え付け / INSTALLATION



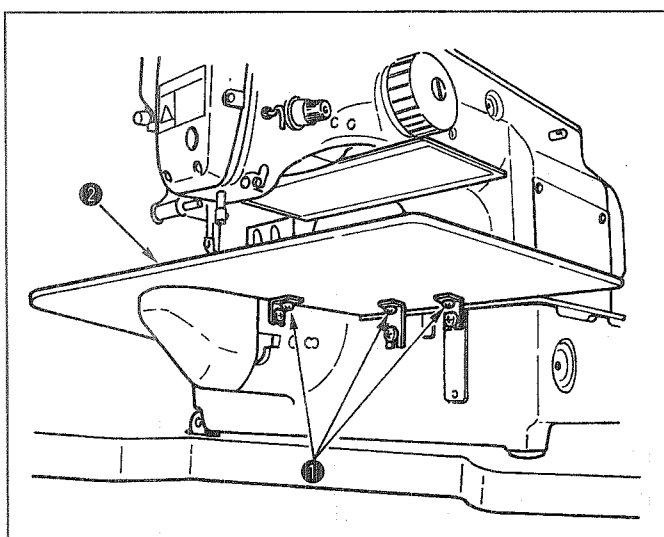
**危険**

ミシンを運ぶ時は必ず2人以上で行なってください。



**WARNING :**

To prevent possible accidents caused by the fall of the sewing machine, perform the work by two persons or more when the machine is moved.



- 1) 針板補助カバー止めねじ①を6箇所外し、針板補助カバー②をミシンから取り外してください。その際、針板補助カバー②の裏表を確認しておいてください。
- 2) 「AMS-210D取扱説明書」のⅢ. 据え付け (P8~P12) の(1)~(11)の順に作業を行なってください。
- 3) 針板補助カバー②をミシンに取り付けてください。その際、外した時と裏表を間違わないように取り付けてください。針板補助カバー②の平面がゆがみ、トラブルの原因となります。

- 1) Remove six setscrews ① in the throat plate auxiliary cover, and remove throat plate auxiliary cover ② from the sewing machine. At this time, make sure of the right and wrong sides of throat plate auxiliary cover ②.
- 2) Perform the work in the order of (1) through (11) of III. INSTALLATION (P8 through P12) of "Instruction Manual for AMS-210D".
- 3) Install throat plate auxiliary cover ② on the sewing machine. At this time, install the cover so that the right and wrong sides of the cover when it was removed should not be mistaken. The plane of throat plate auxiliary cover ② is distorted. As a result, it will be the cause of trouble.

## III. 保守 / MAINTENANCE

### 1. ミシンを倒す場合 / When tilting the sewing machine head



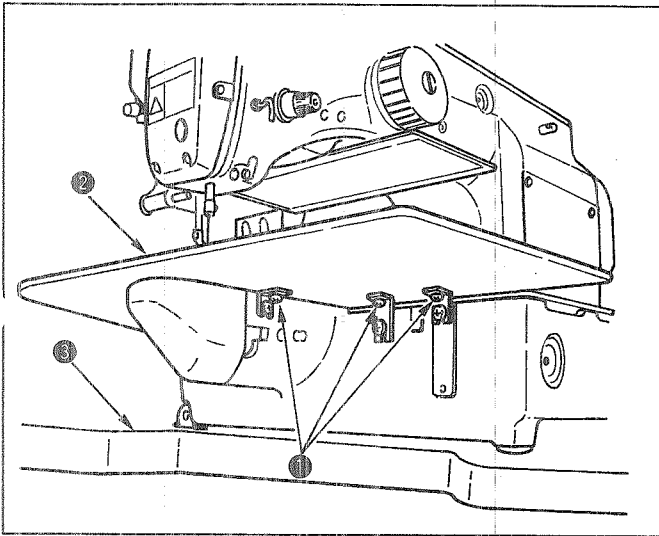
**注意**

ミシンを倒したり起こすときは、指をミシンにはさまないように注意して両手で行なってください。また、不意の起動による事故を防ぐため、電源を切ってから行なってください。

**WARNING :**



Tilt/raise the sewing machine head with both hands taking care not to allow your fingers to be caught in the head. In addition, turn OFF the power before starting the work so as to prevent accidents caused by abrupt start of the sewing machine.



1) 針板補助カバー止めねじ①を6箇所外し、針板補助カバー②をミシンから取り外してからミシンを倒してください。

針板補助カバー②を取り付けたままミシンを倒すと、テーブル③に針板補助カバー②が当たり曲がってしまうため、故障の原因となります。

2) 針板補助カバー②を取り付け直す場合、外した時と裏表を間違わないように取り付けてください。針板補助カバー②の平面がゆがみ、トラブルの原因となります。

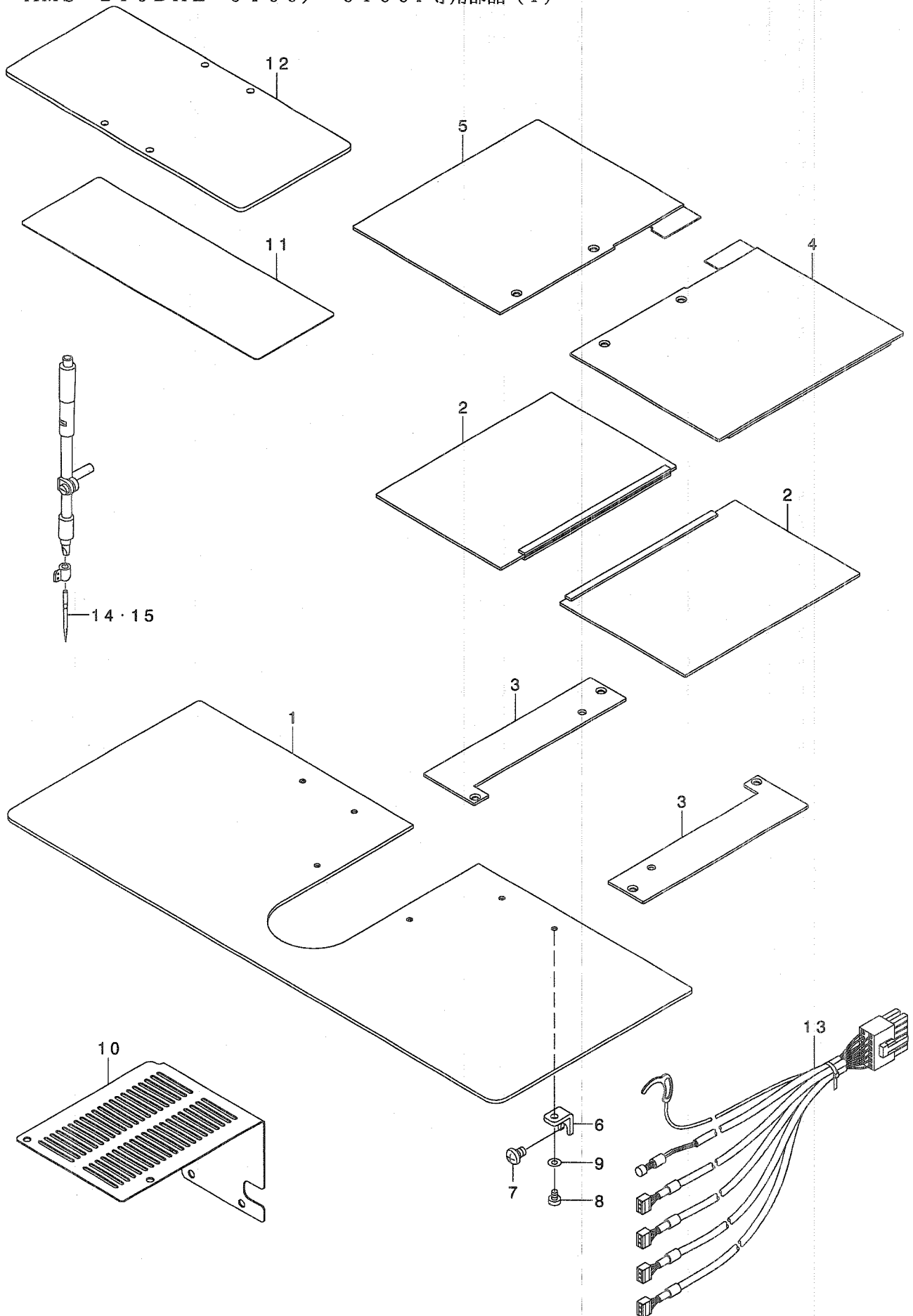
1) Remove six setscrews ① in the throat plate auxiliary cover, remove throat plate auxiliary cover ②, and tilt the sewing machine head.

If you tilt the machine head with the throat plate auxiliary cover attached, throat plate auxiliary cover ② hits on table ③ and is bent. As a result, it will be the cause of trouble.

2) When re-installing throat plate auxiliary cover ②, install it so that the right and wrong sides of it when it was removed should not be mistaken. The plane of throat plate auxiliary cover ② is distorted. As a result, it will be the cause of trouble.

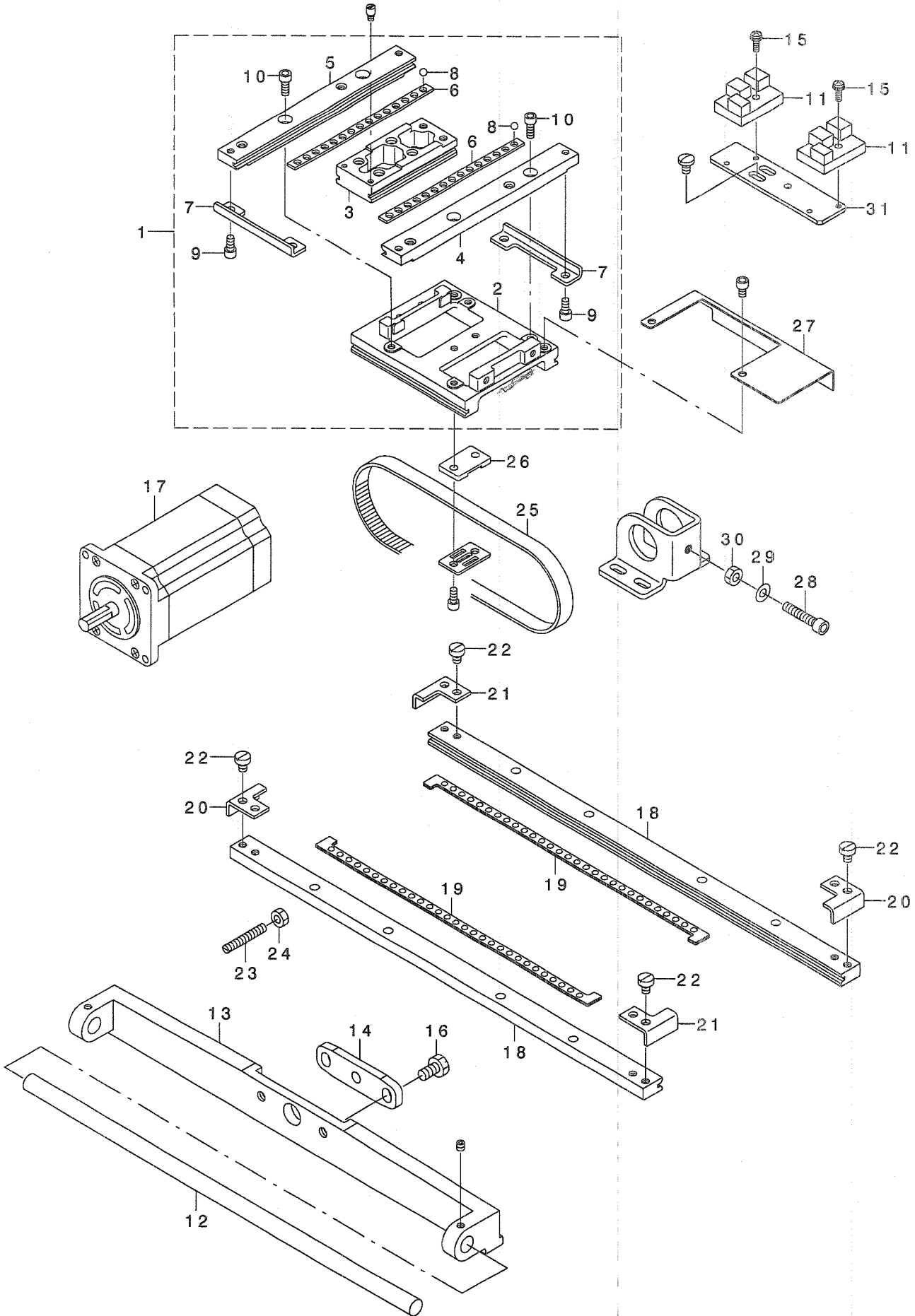
# IV. パーツリスト / PARTS LIST

1. EXCLUSIVE PARTS FOR AMS-210DHL-6100/-6100P (1)  
AMS-210DHL-6100/-6100P専用部品 (1)



REF. NO	NOTE	PART NO.	DESCRIPTION	ヒソメイ	Qty
1		D1112-D10-DOD	NEEDLE PLATE SUPPORT COVER	ハリイタホシヨカハ-	1
2		D1109-D10-DAD	X FEED LOWER COVER ASM.	Xイトウシタカハ-クミ	2
3		D1108-D10-DOD	FEED BASE COVER	オクリタイカハ-	2
4		D1110-D10-DAD	X FEED UPPER COVER ASM., RIGHT	Xイトウウエカハ-ミキクミ	1
5		D1118-D10-DAD	X FEED UPPER COVER ASM., LEFT	Xイトウウエカハ-ヒタリクミ	1
6		D1113-D10-DOD	COVER SUPPORT	ハリイタホシヨカハ-ササエ	2
7		SS-4150915-SP	SCREW 15/64-28 L=9	ナハネシ 15/64-28 L=9	2
8		SS-6110610-TP	SCREW 11/64-40 L=6	ヒラネシ 11/64-40 L=6	2
9		WP-0520656-SA	WASHER 5.2X9.5X0.6	ヒラサカネ 5.2X9.5X0.6	2
10		D1106-D10-DOD	X MOTOR COVER	Xモーターカハ-	1
11		B1520-210-DOA	PRESSER PLATE SHEET (EXTENSION	カクチヨウヨウオサエイタシート	1
12		B1522-210-DOA	PRESSER PLATE AIR TYPE(EXTENSI	カクチヨウヨウオサエイタAIRシヨウ	1
13		D4005-D10-DAD	SENSOR CABLE ASM., A	トウフセンサケ-フルAクミ	1
14		MDP-170B2100	NEEDLE DPX17 #21	ハリDPX17 #21	1
15	#01	MC-3720013-00	NEEDLE	ハリSY3355 NM130	1
		NOTE (注記)	#01....FOR JE	JE用	

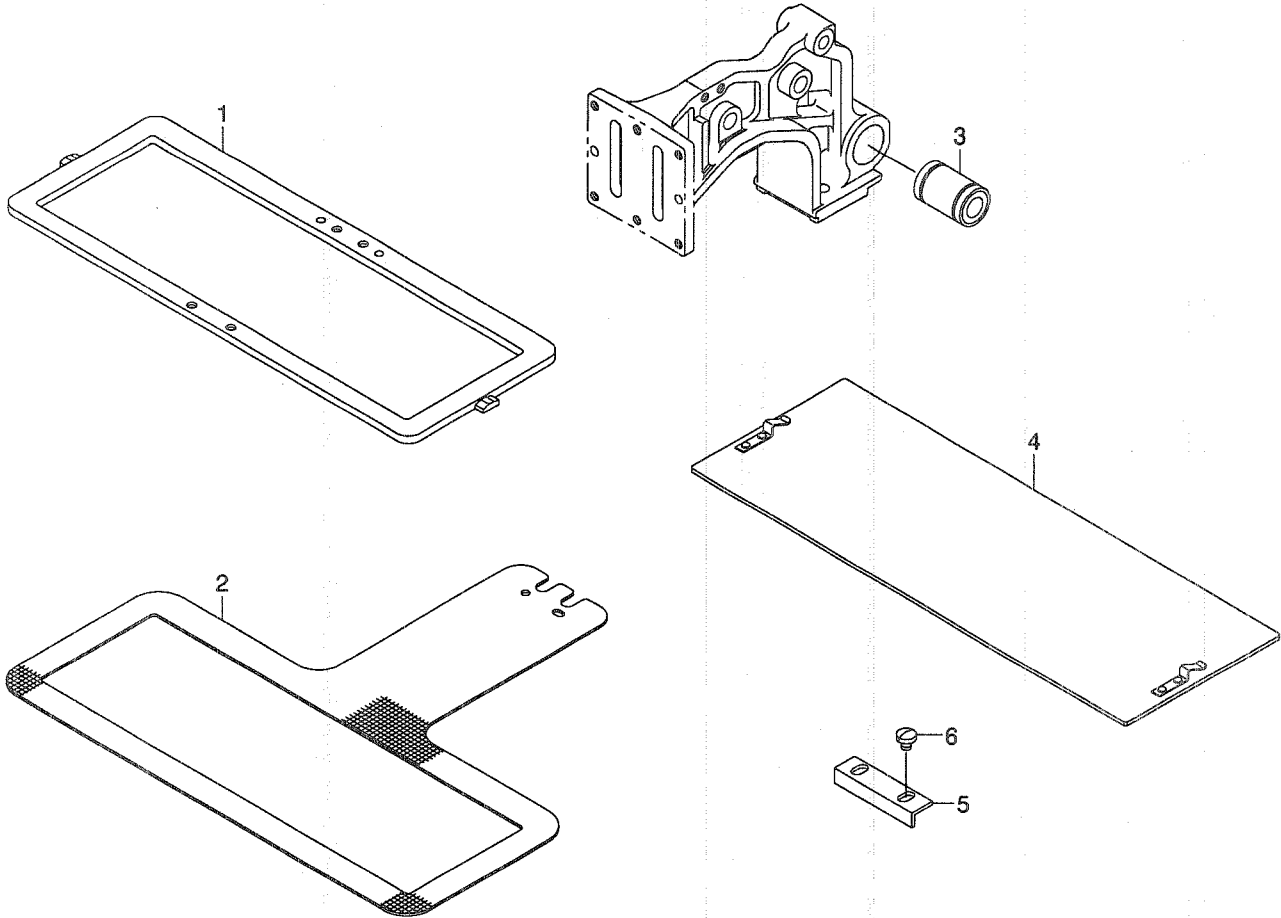
2. EXCLUSIVE PARTS FOR AMS-210DHL-6100/-6100P (2)  
 AMS-210DHL-6100/-6100P 専用部品 (2)





REF. NO	NOTE	PART NO.	DESCRIPTION	品名	Qty
1		D2501-D10-DAD	X-Y TABLE COMPL.	X-Yテーブル かつこう	1
2		D2502-D10-DOD	RACE TABLE	レースたい	(1)
3		B2519-210-D00	Y REMOVAL RACE	Yイットレース	(1)
4		B2520-210-DOA	Y FIXED RACE, RIGHT	Yコテイレースミキ	(1)
5		B2520-210-DOB	Y FIXED RACE, LEFT	Yコテイレースヒタリ	(1)
6		B2521-210-D00	Y BALL GAUGE	Yボールゲージ	(2)
7		B2522-210-D00	Y STOPPER	Yストップ	(2)
8		B2527-210-000	BALL	テーブルボール	(30)
9		SM-6040802-TP	SCREW M4X0.7 L=8	ロツカクアナボルト	(4)
10		SM-6041002-TP	SCREW M4 L=10	ロツカクアナボルト M4X0.7 L=10	(4)
11		HD-0005700-0A	PHOTO SENSOR	フォトセンサ	2
12		D2510-D10-DOD	X GUIDE SHAFT	Xガイドシャフト	1
13		D2511-D10-DOD	X GUIDE SHAFT SUPPORT	Xガイドシャフトササエ	1
14		D2525-D10-DOD	Y FEED SHAFT PLATE	Yイットウツクイタ	1
15		SL-4031081-SF	SCREW M3 L=10	ナハコネジ セムス M3 L=10	2
16		SS-9151120-CP	SCREW 15/64-28 L=11	ロツカクボルト 15/64-28 L=11	2
17		D2529-D10-DOD	FEED STEPPING MOTOR	オクリステッピシクモータ	2
18		B2501-210-DOA	X FIXED RACE (EXTENSION)	カクチョウヨウXコテイレース	2
19		B2508-210-DAB	X BALL GAUGE ASM. (EXTENSION)	カクチョウヨウXボールゲージクミ	2
20		B2507-210-DOA	X STOPPER A (EXTENSION)	カクチョウヨウXストップA	2
21		B2507-210-DOB	X STOPPER B (EXTENSION)	カクチョウヨウXストップB	2
22		SS-6110610-TP	SCREW 11/64-40 L=6	ヒラネジ 11/64-40 L=6	8
23		SS-8123070-SP	SCREW 3/16-28 L=30.0	トメネジ 3/16-28 L=30	2
24		NS-6120310-SP	NUT 3/16-28	ロツカクナツト 3/16-28	2
25		B2512-210-DOA	X TIMING BELT(EXTENSION)	カクチョウヨウXタイミンクハルト	1
26		B2532-210-D00	X BELT BASE (EXTENSION)	カクチョウヨウXハルトたい	1
27		B4007-210-DOA	X SENSOR SLIT (EXTENSION)	カクチョウヨウXセンサースリット	1
28		SM-6052502-TP	SCREW M5X0.8 L=25	ロツカクアナボルト	1
29		WP-0520656-SA	WASHER 5.2X9.5X0.6	ヒラザカネ 5.2X9.5X0.6	1
30		NM-6050001-SP	NUT M5	ロツカクナツト M5X0.8 1ツユ	1
31		D4004-D10-DOD	X SENSOR INSTALLING PLATE	Xセンサーリツクイタ	1

3. EXCLUSIVE PARTS FOR AMS-210DHL-6100/-6100P (3)  
 AMS-210DHL-6100/-6100P 専用部品 (3)



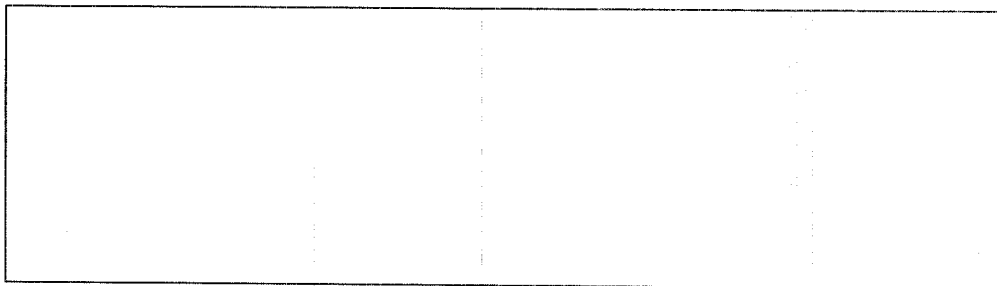
REF. NO	NOTE	PART NO.	DESCRIPTION	ヒ ヅ メ イ	Qty
1		D2553-D10-D0D	FEEDING FRAME	スノオザエソトツク	1
2		D2552-D10-D0D	LOWER PLATE	シタイタ	1
3		SB-7100003-00	BEARING	コロカ' リツ' クウケ	1
4		D2557-D10-DAD	BLANK ASM.	ﾌﾞ ﾚｽﾁｯｸｽﾞﾉｵｻﾞｴﾌﾞ ﾚﾝｼﾞ ﾑﾐ	2
5		B2592-210-000	PLASTIC PLATE STOPPER	ﾌﾞ ﾚｽﾁｯｸ ﾏﾞｽﾄｯﾊﾟ	1
6		SS-7110340-SP	SCREW 11/64-40 L= 3.2	ﾏﾙﾋﾞﾗﾈｯｼﾞ 11/64-40 L= 3.2	2



**JUKI®**

JUKI 株式会社

**JUKI CORPORATION**  
INTERNATIONAL SALES DIVISION



この製品の使い方について不明な点がありましたらお求めの販売店又は当社営業所にお問い合わせください。  
※この取扱説明書／パーツリストは仕様改良のため予告なく変更する事があります。

Please do not hesitate to contact our distributors or agents in your area for further information when necessary.  
\* The description covered in this Instruction Manual/Parts List is subject to change for improvement of the commodity without notice.