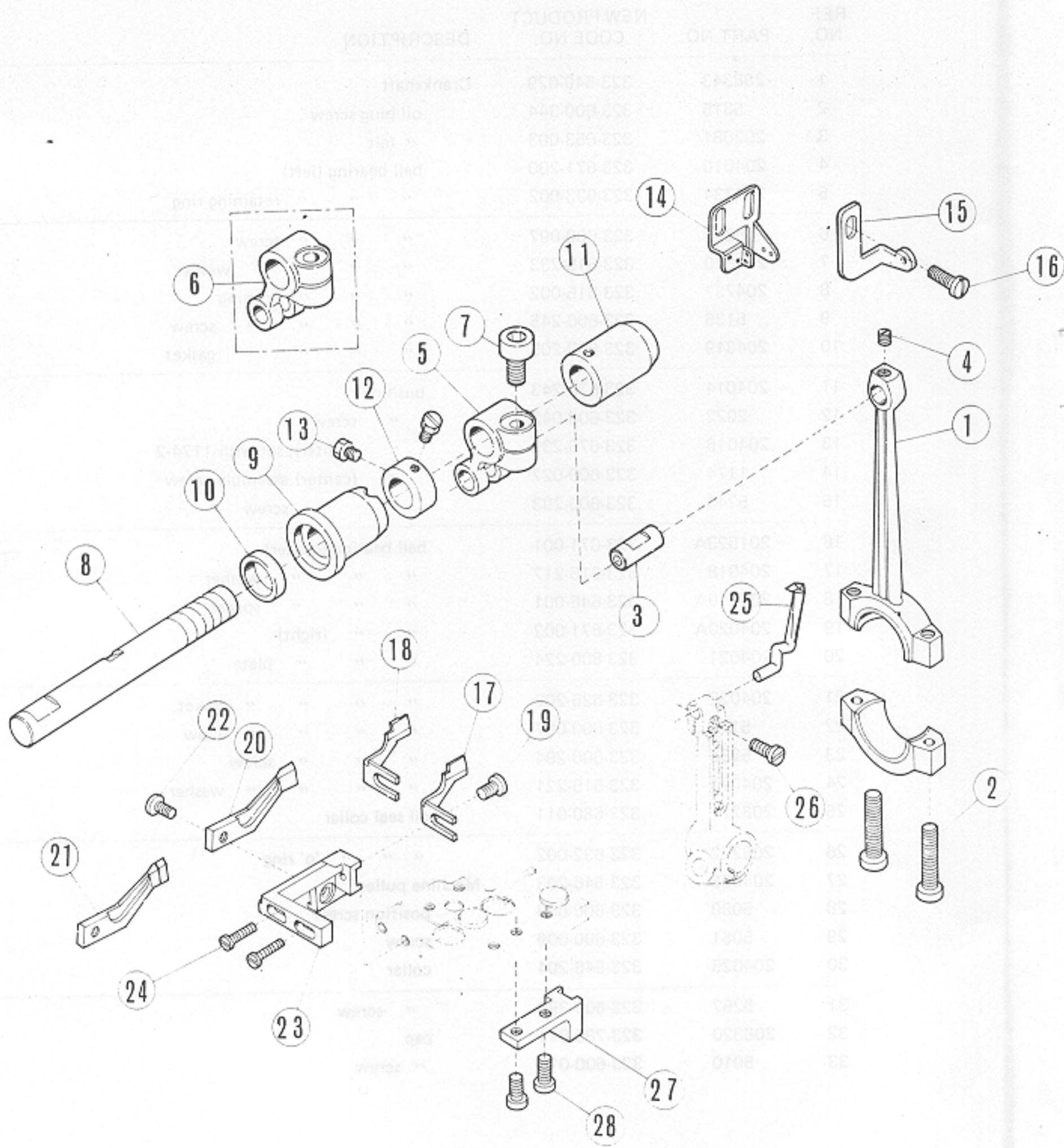


| TABLE OF CONTENTS | PAGE |
|--|-------|
| Machine bed frame | 2-3 |
| (1) Miscellaneous covers | 4-5 |
| (2) Miscellaneous covers | 6-7 |
| Crankshaft mechanism | 8-9 |
| (1) Needle drive mechanism | 10-11 |
| (2) Needle drive mechanism | 12-13 |
| (3) Needle drive mechanism | 14-15 |
| Right looper drive mechanism | 16-17 |
| Left looper drive mechanism | 18-19 |
| (1) Main and differential feed drive mechanism | 20-21 |
| (2) Main and differential feed drive mechanism | 22-23 |
| Upper and lower knife drive mechanism | 24-25 |
| Presser foot and lift mechanism | 26-27 |
| (1) Pump lubricating mechanism | 28-29 |
| (2) Pump lubricating mechanism | 30-31 |
| Needle and thread lubricator (optional parts) | 32-33 |
| Accessories for semi-submerged installation | 34-35 |
| Thread stand | 36-37 |
| Accessories | 38-39 |
| Attachments | 40-41 |
| (1) Optional parts | 42-43 |
| (2) Optional parts | 44-45 |
| List of organization parts | 46-55 |
| Numerical index of parts | 56-65 |

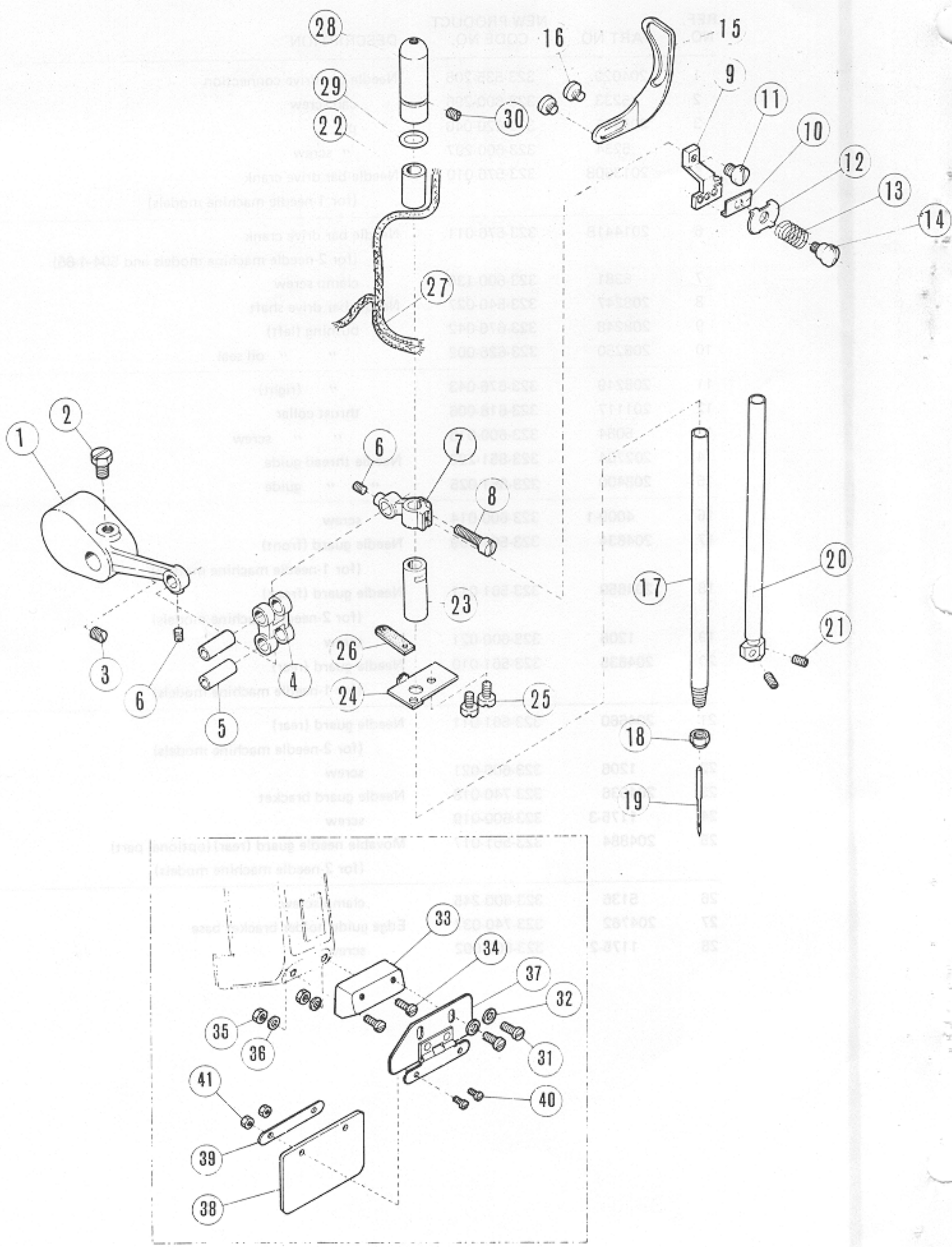
CRANKSHAFT MECHANISM



(1) NEEDLE DRIVE MECHANISM

| REF. NO. | PART NO. | NEW PRODUCT CODE NO. | DESCRIPTION | QT. |
|----------|----------|----------------------|--|-----|
| 1 | 204029 | 323-535-205 | Needle bar drive connection | 1 |
| 2 | 5233 | 323-600-296 | cap screw | 2 |
| 3 | 205495 | 323-620-040 | pin | 1 |
| 4 | 5234 | 323-600-297 | " screw | 1 |
| 5 | 201360B | 323-576-010 | Needle bar drive crank (for 1-needle machine models) | 1 |
| 6 | 201441B | 323-576-011 | Needle bar drive crank (for 2-needle machine models and 504-4-65) | 1 |
| 7 | 5381 | 323-600-136 | clamp screw | 1 |
| 8 | 208247 | 323-540-027 | Needle bar drive shaft | 1 |
| 9 | 208248 | 323-676-042 | bushing (left) | 1 |
| 10 | 208250 | 323-626-002 | " " oil seal | 1 |
| 11 | 208249 | 323-676-043 | " (right) | 1 |
| 12 | 201117 | 323-618-006 | thrust collar | 1 |
| 13 | 5084 | 323-600-013 | " " screw | 2 |
| 14 | 202704 | 323-851-222 | Needle thread guide | 1 |
| 15 | 208400 | 323-851-025 | " " guide | 1 |
| 16 | 4009-1 | 323-600-014 | screw | 1 |
| 17 | 204634 | 323-561-009 | Needle guard (front) (for 1-needle machine models) | 1 |
| 18 | 204659 | 323-561-011 | Needle guard (front) (for 2-needle machine models) | 1 |
| 19 | 1206 | 323-600-021 | screw | 1 |
| 20 | 204635 | 323-561-010 | Needle guard (rear) (for 1-needle machine models) | 1 |
| 21 | 204660 | 323-561-011 | Needle guard (rear) (for 2-needle machine models) | 1 |
| 22 | 1206 | 323-600-021 | screw | 1 |
| 23 | 204636 | 323-740-018 | Needle guard bracket | 1 |
| 24 | 1175-3 | 323-600-019 | screw | 2 |
| 25 | 204884 | 323-561-017 | Movable needle guard (rear) (optional part) (for 2-needle machine models) | 1 |
| 26 | 5136 | 323-600-245 | clamp screw | 1 |
| 27 | 204762 | 323-740-037 | Edge guide holder bracket base | 1 |
| 28 | 1175-2 | 323-600-002 | screw | 2 |

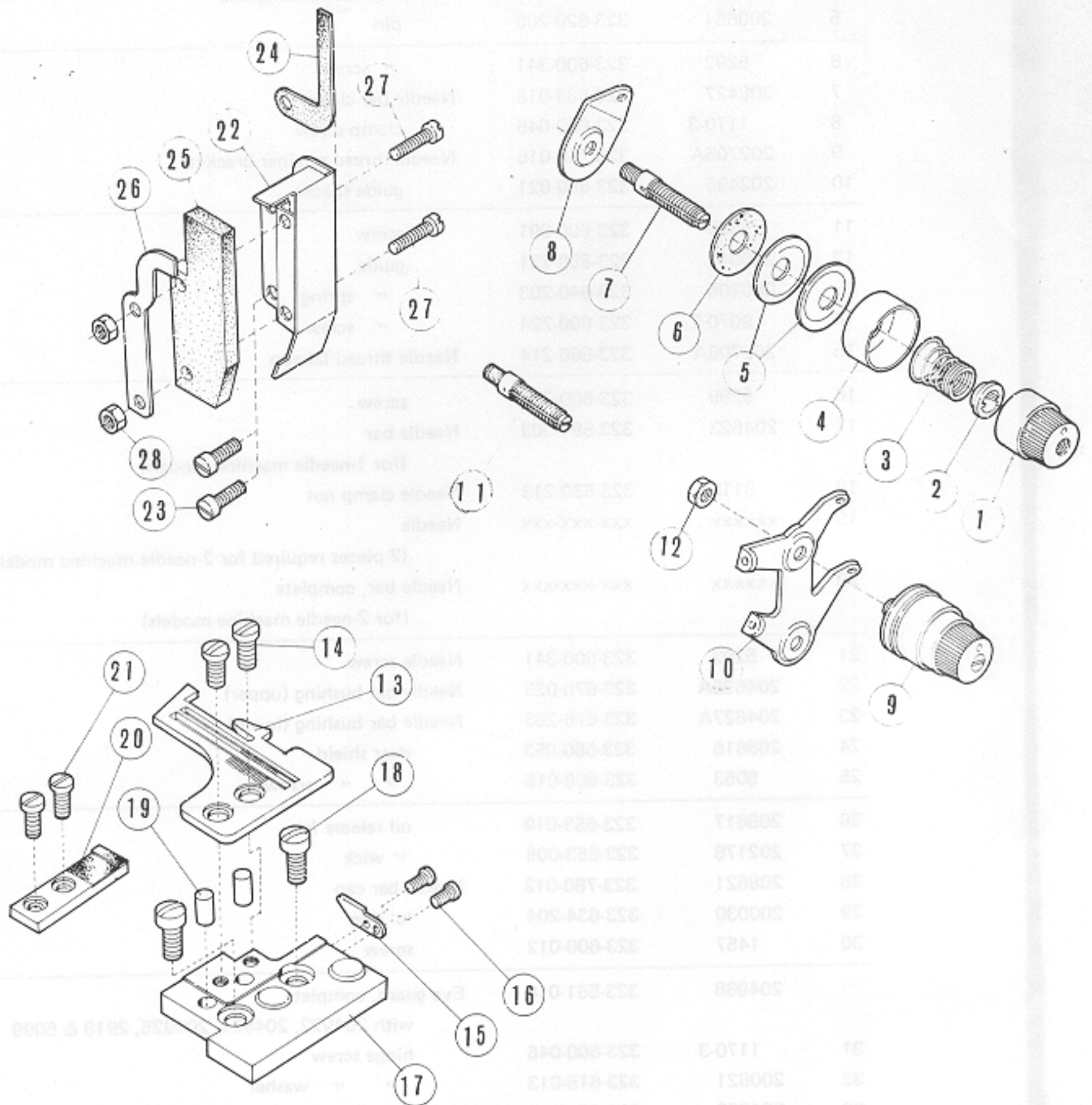
(I) NEEDLE DRIVE MECHANISM



(2) NEEDLE DRIVE MECHANISM

| REF. NO. | PART NO. | NEW PRODUCT CODE NO. | DESCRIPTION | QT. |
|----------|----------|----------------------|---|-----|
| 1 | 208424 | 323-576-017 | Needle bar drive crank (left) | 1 |
| 2 | 2022-4 | 323-600-022 | screw (with head) | 1 |
| 3 | 2022 | 323-600-043 | screw | 1 |
| 4 | 208425 | 323-730-012 | Needle bar connecting link | 1 |
| 5 | 200654 | 323-620-206 | pin | 2 |
| 6 | 5292 | 323-600-341 | " screw | 2 |
| 7 | 208427 | 323-683-018 | Needle bar clamp | 1 |
| 8 | 1170-3 | 323-600-046 | clamp screw | 1 |
| 9 | 202705A | 323-740-016 | Needle thread retainer bracket | 1 |
| 10 | 202495 | 323-850-021 | guide spacer | 1 |
| 11 | 5359 | 323-600-091 | screw | 1 |
| 12 | 200041 | 323-850-221 | guide | 1 |
| 13 | 200205 | 323-640-203 | " spring | 1 |
| 14 | 9070-2 | 323-600-224 | " screw | 1 |
| 15 | 202706A | 323-866-214 | Needle thread takeup | 1 |
| 16 | 5299 | 323-600-300 | screw | 2 |
| 17 | 204623 | 323-591-003 | Needle bar (for 1-needle machine models) | 1 |
| 18 | 3119 | 323-630-213 | Needle clamp nut | 1 |
| 19 | xxxxxx | xxx-xxx-xxx | Needle (2 pieces required for 2-needle machine models) | 1 |
| 20 | xxxxxx | xxx-xxx-xxx | Needle bar, complete (for 2-needle machine models) | 1 |
| 21 | 5292 | 323-600-341 | Needle screw | 2 |
| 22 | 204625A | 323-676-025 | Needle bar bushing (upper) | 1 |
| 23 | 204627A | 323-676-263 | Needle bar bushing (lower) | 1 |
| 24 | 208616 | 323-560-053 | dust shield | 1 |
| 25 | 5053 | 323-600-015 | " " screw | 2 |
| 26 | 208617 | 323-653-019 | oil release felt | 1 |
| 27 | 202176 | 323-653-005 | " wick | 1 |
| 28 | 208621 | 323-780-012 | Needle bar cap | 1 |
| 29 | 200030 | 323-634-204 | 'o' ring | 1 |
| 30 | 1457 | 323-600-012 | screw | 1 |
| | 204988 | 323-561-018 | Eye guard, complete with 204922, 204924, 204925, 2918 & 5099 | 1 |
| 31 | 1170-3 | 323-600-046 | hinge screw | 2 |
| 32 | 200821 | 323-615-013 | " " washer | 2 |
| 33 | 204982 | 323-505-012 | " base | 1 |
| 34 | 5003 | 323-600-227 | " " screw | 2 |
| 35 | 5099 | 323-630-009 | " " " nut | 2 |
| 36 | 167066 | 323-615-211 | " " " " washer | 2 |
| 37 | 204922 | 323-728-012 | hinge, complete | 1 |
| 38 | 204924 | 323-561-019 | guard | 1 |
| 39 | 204925 | 323-615-032 | " screw nut washer | 1 |
| 40 | 2918 | 323-600-073 | " screw | 2 |
| 41 | 5099 | 323-630-009 | " " nut | 2 |

(2) NEEDLE DRIVE MECHANISM

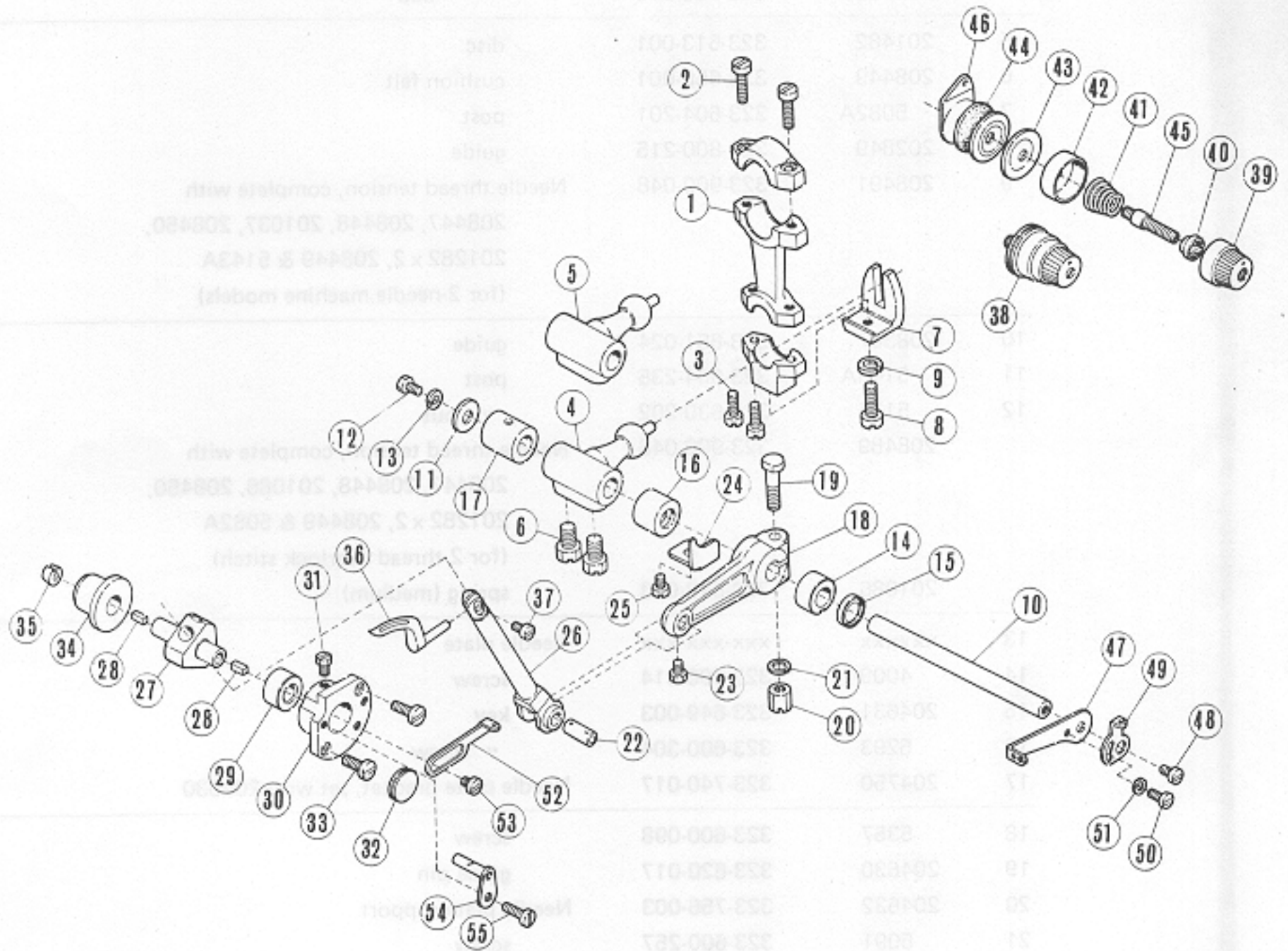


| REF. NO. | PART NO. | NEW PRODUCT CODE NO. | DESCRIPTION |
|----------|----------|----------------------|--------------------------------|
| 1 | 20821 | 323-600-017 | Needle bar drive crank (left) |
| 2 | 20821 | 323-600-022 | Needle bar drive crank (right) |
| 3 | 20822 | 323-600-042 | Screw |
| 4 | 20823 | 323-728-012 | Needle bar connecting link |
| 5 | 20824 | 323-620-000 | Pin |
| 6 | 20825 | 323-600-041 | Needle holder bush |
| 7 | 20826 | 323-600-040 | Needle holder bush |
| 8 | 11703 | 323-600-040 | Needle holder bush |
| 9 | 20827 | 323-600-040 | Needle holder bush |
| 10 | 20828 | 323-600-040 | Needle holder bush |
| 11 | 20829 | 323-600-040 | Needle holder bush |
| 12 | 20830 | 323-600-040 | Needle holder bush |
| 13 | 20831 | 323-600-040 | Needle holder bush |
| 14 | 20832 | 323-600-040 | Needle holder bush |
| 15 | 20833 | 323-600-040 | Needle holder bush |
| 16 | 20834 | 323-600-040 | Needle holder bush |
| 17 | 20835 | 323-600-040 | Needle holder bush |
| 18 | 20836 | 323-600-040 | Needle holder bush |
| 19 | 20837 | 323-600-040 | Needle holder bush |
| 20 | 20838 | 323-600-040 | Needle holder bush |
| 21 | 20839 | 323-600-040 | Needle holder bush |
| 22 | 20840 | 323-600-040 | Needle holder bush |
| 23 | 20841 | 323-600-040 | Needle holder bush |
| 24 | 20842 | 323-600-040 | Needle holder bush |
| 25 | 20843 | 323-600-040 | Needle holder bush |
| 26 | 20844 | 323-600-040 | Needle holder bush |
| 27 | 20845 | 323-600-040 | Needle holder bush |
| 28 | 20846 | 323-600-040 | Needle holder bush |
| 29 | 20847 | 323-600-040 | Needle holder bush |
| 30 | 20848 | 323-600-040 | Needle holder bush |
| 31 | 11703 | 323-600-040 | Needle holder bush |
| 32 | 20851 | 323-618-013 | Needle holder bush |
| 33 | 20852 | 323-600-012 | Needle holder bush |
| 34 | 20853 | 323-600-027 | Screw |
| 35 | 20854 | 323-630-008 | Nut |
| 36 | 18708 | 323-618-211 | Washer |
| 37 | 20855 | 323-728-012 | Needle holder bush |
| 38 | 20856 | 323-687-019 | Needle holder bush |
| 39 | 20857 | 323-618-032 | Screw nut washer |
| 40 | 20858 | 323-600-013 | Screw |
| 41 | 20859 | 323-630-008 | Nut |

(3) NEEDLE DRIVE MECHANISM

| REF. NO. | PART NO. | NEW PRODUCT CODE NO. | DESCRIPTION | QT. |
|----------|----------|----------------------|---|-----|
| | 208488 | 323-900-045 | Needle thread tension, complete with 208447, 208448, 201037, 208450, 201482 x 2, 208449 & 5082A (for 3-thread overlock stitch) | 1 |
| 1 | 208447 | 323-630-033 | nut | 1 |
| 2 | 208448 | 323-676-047 | spring bushing | 1 |
| 3 | 201037 | 323-642-001 | " (heavy) | 1 |
| 4 | 208450 | 323-780-010 | " cup | 1 |
| 5 | 201482 | 323-613-001 | disc | 2 |
| 6 | 208449 | 323-650-001 | cushion felt | 1 |
| 7 | 5082A | 323-604-201 | post | 1 |
| 8 | 202849 | 323-800-215 | guide | 1 |
| 9 | 208491 | 323-900-048 | Needle thread tension, complete with 208447, 208448, 201037, 208450, 201282 x 2, 208449 & 5143A (for 2-needle machine models) | 1 |
| 10 | 208307 | 323-851-024 | guide | 1 |
| 11 | 5143A | 323-604-235 | post | 1 |
| 12 | 5137 | 323-630-202 | " nut | 1 |
| | 208489 | 323-900-046 | Needle thread tension, complete with 208447, 208448, 201086, 208450, 201282 x 2, 208449 & 5082A (for 2-thread overlock stitch) | 1 |
| | 201086 | 323-642-003 | spring (medium) | 1 |
| 13 | xxxxxx | xxx-xxx-xxx | Needle plate | 1 |
| 14 | 4009-1 | 323-600-014 | screw | 2 |
| 15 | 204631 | 323-649-003 | key | 1 |
| 16 | 5293 | 323-600-304 | " screw | 2 |
| 17 | 204750 | 323-740-017 | Needle plate bracket, set with 204630 | 1 |
| 18 | 5357 | 323-600-098 | screw | 2 |
| 19 | 204630 | 323-620-017 | guide pin | 2 |
| 20 | 204632 | 323-756-003 | Needle plate support | 1 |
| 21 | 5091 | 323-600-257 | screw | 2 |
| | 208568 | 323-510-089 | Needle bar connecting link cover, complete with 208560, 208561, 208562, 208563, 5291 & 5099 | 1 |
| 22 | 208560 | 323-510-090 | Needle bar connecting link cover | 1 |
| 23 | 5117 | 323-600-057 | screw | 2 |
| 24 | 208561 | 323-653-017 | oil felt | 1 |
| 25 | 208562 | 323-653-018 | " felt | 1 |
| 26 | 208563 | 323-800-062 | " " plate | 1 |
| 27 | 5291 | 323-600-313 | " " " screw | 2 |
| 28 | 5099 | 323-630-003 | " " " " nut | 2 |

(3) NEEDLE DRIVE MECHANISM

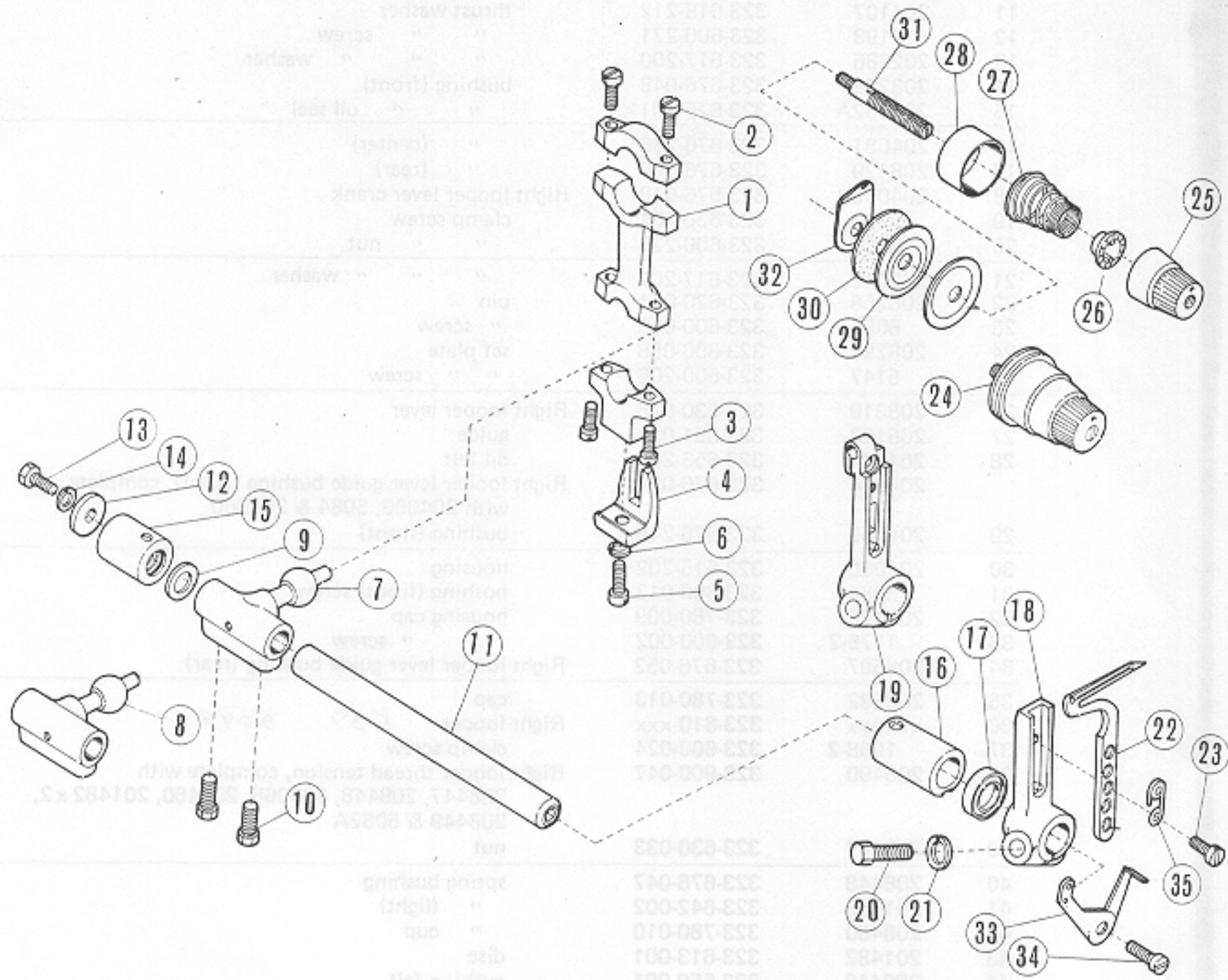


| REF. NO. | PART NO. | NEW PRODUCT CODE NO. | DESCRIPTION |
|----------|----------|----------------------|--------------------------------------|
| 1 | 30847 | 323-830-083 | nut |
| 2 | 30848 | 323-828-047 | spring bushing |
| 3 | 30103 | 323-842-001 | " (heavy) |
| 4 | 30849 | 323-780-010 | " sup. |
| 5 | 30148 | 323-813-001 | disc |
| 6 | 30849 | 30849 | cut-on felt |
| 7 | 30849 | 30849 | post |
| 8 | 30849 | 30849 | guide |
| 9 | 30849 | 30849 | needle thread tension, complete with |
| 10 | 30849 | 30849 | 30847, 30848, 30103, 30849 |
| 11 | 30849 | 30849 | 30148, 3, 30848 & 3082A |
| 12 | 30849 | 30849 | (for 3 thread overhead stitch) |
| 13 | 30849 | 30849 | nut |
| 14 | 30849 | 30849 | spring bushing |
| 15 | 30849 | 30849 | " (heavy) |
| 16 | 30849 | 30849 | " sup. |
| 17 | 30849 | 30849 | disc |
| 18 | 30849 | 30849 | cut-on felt |
| 19 | 30849 | 30849 | post |
| 20 | 30849 | 30849 | guide |
| 21 | 30849 | 30849 | needle thread tension, complete with |
| 22 | 30849 | 30849 | 30847, 30848, 30103, 30849 |
| 23 | 30849 | 30849 | 30148, 3, 30848 & 3082A |
| 24 | 30849 | 30849 | (for 3 thread overhead stitch) |
| 25 | 30849 | 30849 | nut |
| 26 | 30849 | 30849 | spring bushing |
| 27 | 30849 | 30849 | " (heavy) |
| 28 | 30849 | 30849 | " sup. |
| 29 | 30849 | 30849 | disc |
| 30 | 30849 | 30849 | cut-on felt |
| 31 | 30849 | 30849 | post |
| 32 | 30849 | 30849 | guide |
| 33 | 30849 | 30849 | needle thread tension, complete with |
| 34 | 30849 | 30849 | 30847, 30848, 30103, 30849 |
| 35 | 30849 | 30849 | 30148, 3, 30848 & 3082A |
| 36 | 30849 | 30849 | (for 3 thread overhead stitch) |
| 37 | 30849 | 30849 | nut |
| 38 | 30849 | 30849 | spring bushing |
| 39 | 30849 | 30849 | " (heavy) |
| 40 | 30849 | 30849 | " sup. |
| 41 | 30849 | 30849 | disc |
| 42 | 30849 | 30849 | cut-on felt |
| 43 | 30849 | 30849 | post |
| 44 | 30849 | 30849 | guide |
| 45 | 30849 | 30849 | needle thread tension, complete with |
| 46 | 30849 | 30849 | 30847, 30848, 30103, 30849 |
| 47 | 30849 | 30849 | 30148, 3, 30848 & 3082A |
| 48 | 30849 | 30849 | (for 3 thread overhead stitch) |
| 49 | 30849 | 30849 | nut |
| 50 | 30849 | 30849 | spring bushing |
| 51 | 30849 | 30849 | " (heavy) |
| 52 | 30849 | 30849 | " sup. |
| 53 | 30849 | 30849 | disc |
| 54 | 30849 | 30849 | cut-on felt |
| 55 | 30849 | 30849 | post |
| 56 | 30849 | 30849 | guide |

RIGHT LOOPER DRIVE MECHANISM

| REF. NO. | PART NO. | NEW PRODUCT CODE NO. | DESCRIPTION | QT. |
|----------|----------|----------------------|---|-----|
| 1 | 208346 | 323-525-013 | Right looper drive connection | 1 |
| 2 | 2213-1 | 323-600-056 | cap screw (large) | 2 |
| 3 | 1170-1 | 323-600-020 | " " (small) | 2 |
| 4 | 204048A | 323-576-213 | drive crank | 1 |
| 5 | 204788 | 323-576-007 | drive crank (for 514-4-73 and 504-4-65 of 7 & 8mm gauges) | 1 |
| 6 | 2022-4 | 323-600-022 | screw | 2 |
| 7 | 201074A | 323-850-200 | guide | 1 |
| 8 | 1156 | 323-600-200 | " screw | 1 |
| 9 | 202286 | 323-617-200 | " " washer | 1 |
| 10 | 204069A | 323-540-228 | Right looper drive shaft | 1 |
| 11 | 204107 | 323-618-212 | thrust washer | 1 |
| 12 | 2193 | 323-600-271 | " " screw | 1 |
| 13 | 202286 | 323-617-200 | " " " washer | 1 |
| 14 | 208299 | 323-676-048 | bushing (front) | 1 |
| 15 | 204052A | 323-626-201 | " " oil seal | 1 |
| 16 | 204081 | 323-676-236 | " (center) | 1 |
| 17 | 208429 | 323-676-049 | " (rear) | 1 |
| 18 | 204055B | 323-576-018 | Right looper lever crank | 1 |
| 19 | 5239 | 323-630-304 | clamp screw | 1 |
| 20 | 5286 | 323-600-225 | " " nut | 1 |
| 21 | 202045 | 323-617-204 | " " " washer | 1 |
| 22 | 208258 | 323-620-041 | pin | 1 |
| 23 | 5084 | 323-600-013 | " screw | 1 |
| 24 | 208296 | 323-800-058 | set plate | 1 |
| 25 | 5147 | 323-600-206 | " " screw | 1 |
| 26 | 208319 | 323-530-028 | Right looper lever | 1 |
| 27 | 208102 | 323-851-022 | guide | 1 |
| 28 | 204274 | 323-653-209 | oil felt | 2 |
| | 204854 | 323-676-029 | Right looper lever guide bushing (front), complete with 204059, 5084 & 204060 | 1 |
| 29 | 204059 | 323-676-248 | bushing (front) | 1 |
| 30 | 204060 | 323-515-202 | housing | 1 |
| 31 | 5084 | 323-600-013 | bushing (front) screw | 1 |
| 32 | 208173 | 323-780-009 | housing cap | 1 |
| 33 | 1175-2 | 323-600-002 | " " screw | 2 |
| 34 | 208597 | 323-676-052 | Right looper lever guide bushing (rear) | 1 |
| 35 | 208592 | 323-780-013 | cap | 1 |
| 36 | xxxxxx | 323-810-xxx | Right looper <i>ESI 204990</i> | 1 |
| 37 | 1998-2 | 323-600-024 | clamp screw | 1 |
| 38 | 208490 | 323-900-047 | Right looper thread tension, complete with 208447, 208448, 201068, 208450, 201482 x 2, 208449 & 5082A | 1 |
| 39 | 208447 | 323-630-033 | nut | 1 |
| 40 | 208448 | 323-676-047 | spring bushing | 1 |
| 41 | 201068 | 323-642-002 | " (light) | 1 |
| 42 | 208450 | 323-780-010 | " cup | 1 |
| 43 | 201482 | 323-613-001 | disc | 2 |
| 44 | 208449 | 323-650-001 | cushion felt | 1 |
| 45 | 5082A | 323-604-201 | post | 1 |
| 46 | 202849 | 323-800-215 | guide | 1 |
| 47 | 208445 | 323-866-016 | Right looper thread takeup | 1 |
| 48 | 202902 | 323-600-259 | screw | 1 |
| 49 | 204902 | 323-866-013 | auxiliary | 1 |
| 50 | 2921 | 323-600-026 | " screw | 1 |
| 51 | 202875 | 323-615-216 | " " washer | 1 |
| 52 | 204905 | 323-851-018 | Right looper thread guide wire | 1 |
| 53 | 2905 | 323-600-074 | screw | 1 |
| 54 | 204656 | 323-851-010 | Looper thread guide, complete | 1 |
| 55 | 5012 | 323-600-255 | screw | 1 |

RIGHT LOOPER DRIVE MECHANISM



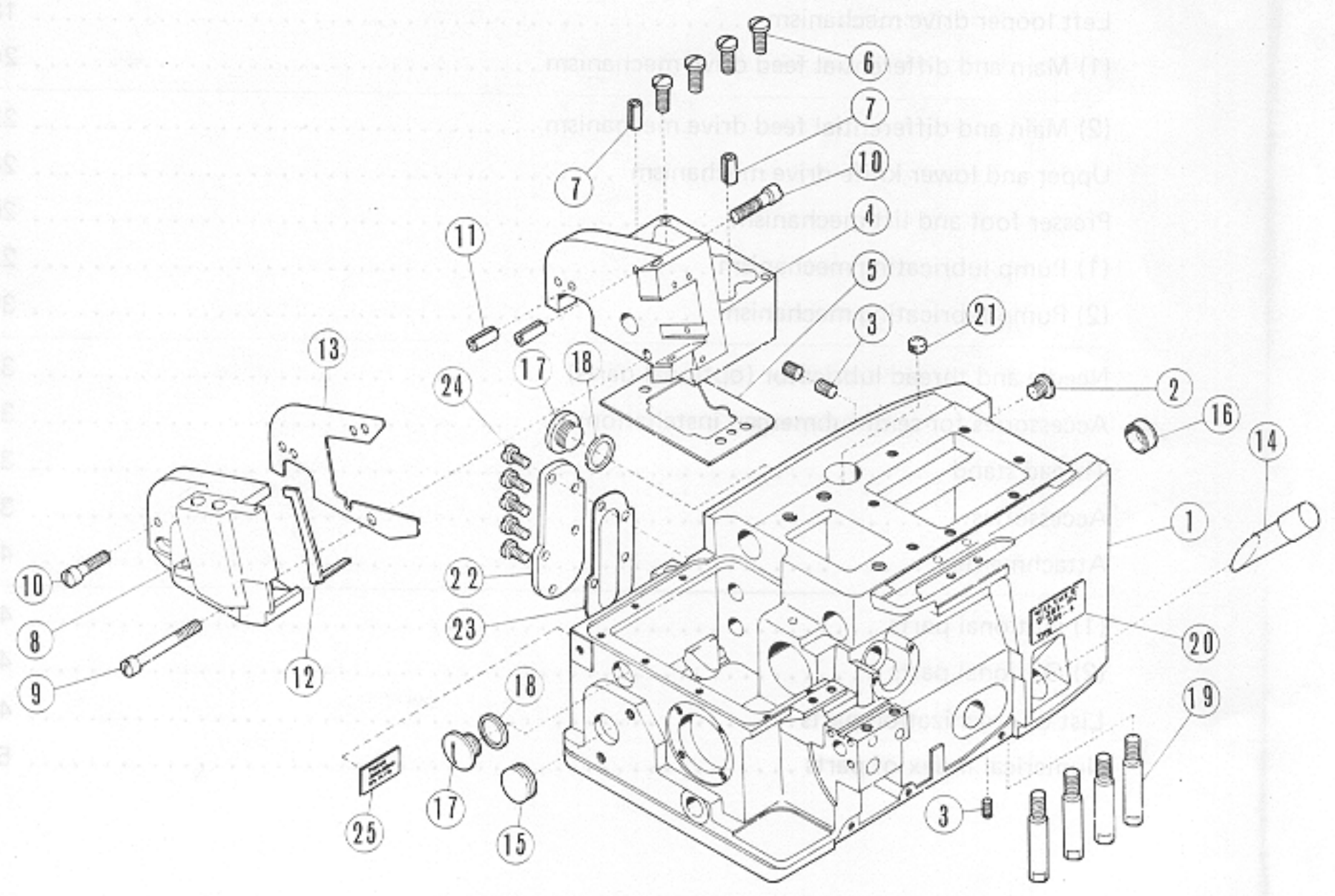
| REF NO | PART NO | NEW PRODUCT CODE NO | DESCRIPTION |
|--------|---------|---------------------|-----------------------------|
| 1 | 20748 | 323-622-013 | Right looper drive crankpin |
| 2 | 22127 | 323-620-026 | cap screw (large) |
| 3 | 11521 | 323-600-020 | " (small) |
| 4 | 20748A | 323-578-213 | drive crank |
| 5 | 20158 | 323-878-007 | drive crank |
| 6 | 20748 | 323-622-013 | Right looper drive crankpin |
| 7 | 20748A | 323-620-026 | cap screw (large) |
| 8 | 11521 | 323-600-020 | " (small) |
| 9 | 20748 | 323-622-013 | Right looper drive crankpin |
| 10 | 20748A | 323-620-026 | cap screw (large) |
| 11 | 11521 | 323-600-020 | " (small) |
| 12 | 20748 | 323-622-013 | Right looper drive crankpin |
| 13 | 20748A | 323-620-026 | cap screw (large) |
| 14 | 11521 | 323-600-020 | " (small) |
| 15 | 20748 | 323-622-013 | Right looper drive crankpin |
| 16 | 20748A | 323-620-026 | cap screw (large) |
| 17 | 11521 | 323-600-020 | " (small) |
| 18 | 20748 | 323-622-013 | Right looper drive crankpin |
| 19 | 20748A | 323-620-026 | cap screw (large) |
| 20 | 11521 | 323-600-020 | " (small) |
| 21 | 20748 | 323-622-013 | Right looper drive crankpin |
| 22 | 20748A | 323-620-026 | cap screw (large) |
| 23 | 11521 | 323-600-020 | " (small) |
| 24 | 20748 | 323-622-013 | Right looper drive crankpin |
| 25 | 20748A | 323-620-026 | cap screw (large) |
| 26 | 11521 | 323-600-020 | " (small) |
| 27 | 20748 | 323-622-013 | Right looper drive crankpin |
| 28 | 20748A | 323-620-026 | cap screw (large) |
| 29 | 11521 | 323-600-020 | " (small) |
| 30 | 20748 | 323-622-013 | Right looper drive crankpin |
| 31 | 20748A | 323-620-026 | cap screw (large) |
| 32 | 11521 | 323-600-020 | " (small) |
| 33 | 20748 | 323-622-013 | Right looper drive crankpin |
| 34 | 20748A | 323-620-026 | cap screw (large) |
| 35 | 11521 | 323-600-020 | " (small) |

LEFT LOOPER DRIVE MECHANISM

| REF. NO. | PART NO. | NEW PRODUCT CODE NO. | DESCRIPTION | QT. |
|----------|----------|----------------------|--|-----|
| 1 | 208346 | 323-525-013 | Left looper drive connection | 1 |
| 2 | 2213-1 | 323-600-056 | cap screw (large) | 2 |
| 3 | 1170-1 | 323-600-020 | " " (small) | 2 |
| 4 | 201074A | 323-850-200 | guide | 1 |
| 5 | 1156 | 323-600-200 | " screw | 1 |
| 6 | 202286 | 323-617-200 | " " washer | 1 |
| 7 | 204787 | 323-576-006 | Left looper drive crank (for 1-needle machine models) | 1 |
| 8 | 204788 | 323-576-007 | Left looper drive crank (for 2-needle machine models and 504-4-65) | 1 |
| 9 | 204789 | 323-618-010 | thrust washer | 1 |
| 10 | 2022-4 | 323-600-022 | screw | 2 |
| 11 | 204069A | 323-540-228 | Left looper lever shaft | 1 |
| 12 | 204311 | 323-618-210 | thrust washer | 1 |
| 13 | 2193 | 323-600-271 | " " screw | 1 |
| 14 | 202286 | 323-617-200 | " " " washer | 1 |
| 15 | 204054 | 323-676-235 | bushing (rear) | 1 |
| 16 | 208293 | 323-677-046 | " (front) | 1 |
| 17 | 204052A | 323-626-201 | " " oil seal | 1 |
| 18 | 204664 | 323-530-010 | Left looper lever | 1 |
| 19 | 204853 | 323-530-017 | Left looper lever (optional part) (for Movable Needle Guard, Rear 204884) | 1 |
| 20 | 5284 | 323-600-306 | clamp screw | 1 |
| 21 | 204293 | 323-616-200 | " " washer | 1 |
| 22 | 204072 | 323-810-216 | Left looper | 1 |
| 23 | 1175-3 | 323-600-019 | screw | 1 |
| 24 | 208489 | 323-900-046 | Left looper thread tension, complete with 208447, 208448, 201086, 208450 x 2, 201482, 208449 & 5082A | 1 |
| 25 | 208447 | 323-630-033 | nut | 1 |
| 26 | 208448 | 323-676-047 | spring bushing | 1 |
| 27 | 201086 | 323-642-003 | " (medium) | 1 |
| 28 | 208450 | 323-780-010 | " cup | 1 |
| 29 | 201482 | 323-613-001 | disc | 2 |
| 30 | 208449 | 323-650-001 | cushion felt | 1 |
| 31 | 5082A | 323-604-201 | post | 1 |
| 32 | 202849 | 323-800-215 | guide | 1 |
| 33 | 204786 | 323-866-005 | Left looper thread takeup | 1 |
| 34 | 2902 | 323-600-259 | screw | 1 |
| 35 | 193174 | 323-851-217 | Left looper thread guide wire | 1 |

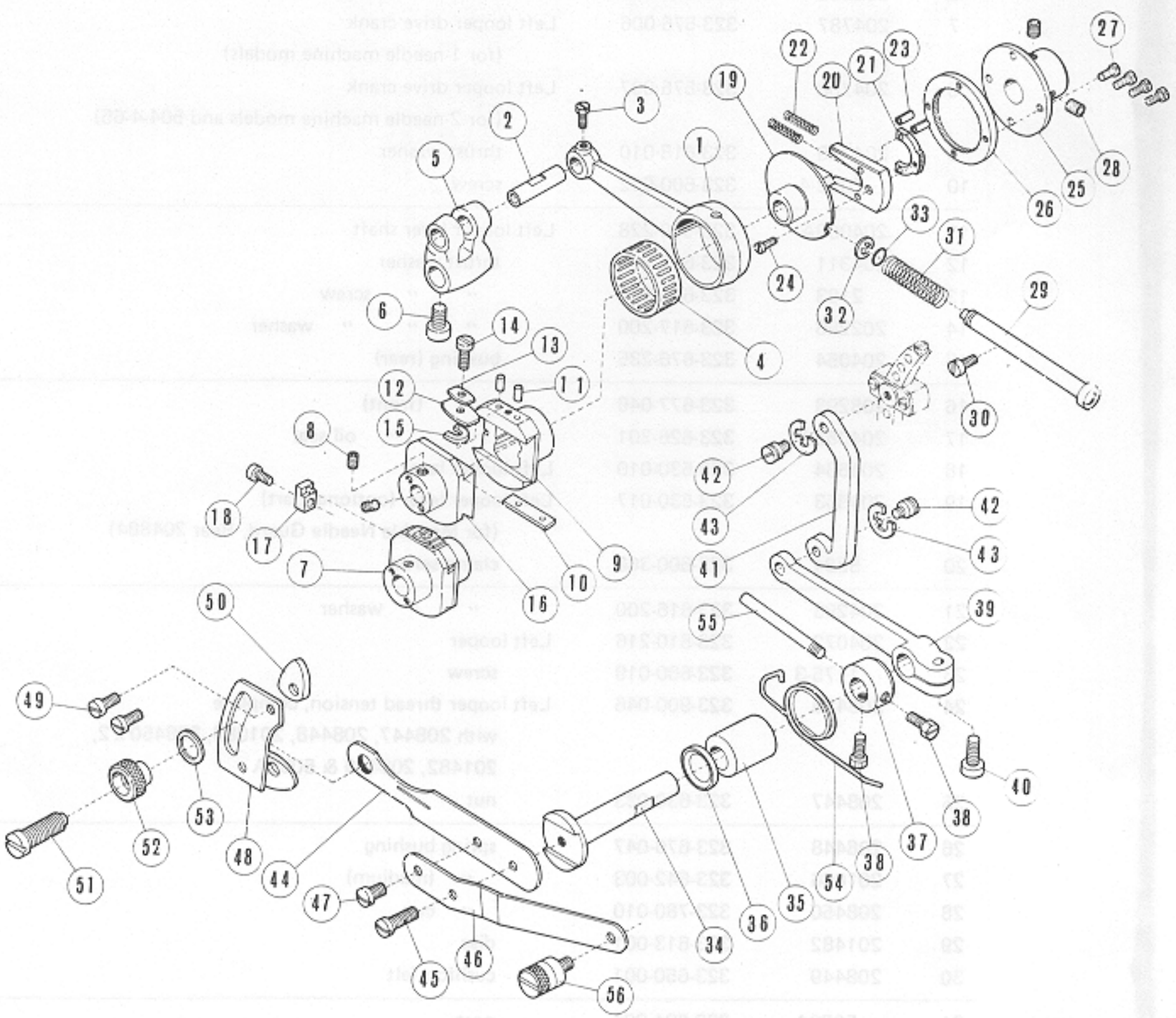
2-3
 4-5
 6-7
 8-9
 10-11
 12-13
 14-15
 16-17
 18-19
 20-21
 22-23
 24-25
 26-27
 28-29
 30-31
 32-33
 34-35
 36-37
 38-39
 40-41
 42-43
 44-45
 46-47
 48-49
 50-51

Machine D-7 Table
 (1) Miscellaneous covers
 (2) Miscellaneous covers
 Cankshaft mechanism
 (1) Needle drive mechanism
 (2) Needle drive mechanism
 (3) Needle drive mechanism
 Right foot drive mechanism
 Left foot drive mechanism
 (1) Main and differential
 (2) Main and differential
 Upper and lower
 Paper foot and
 (1) Pump
 (2) Pump



LEFT LOOPER DRIVE MECHANISM

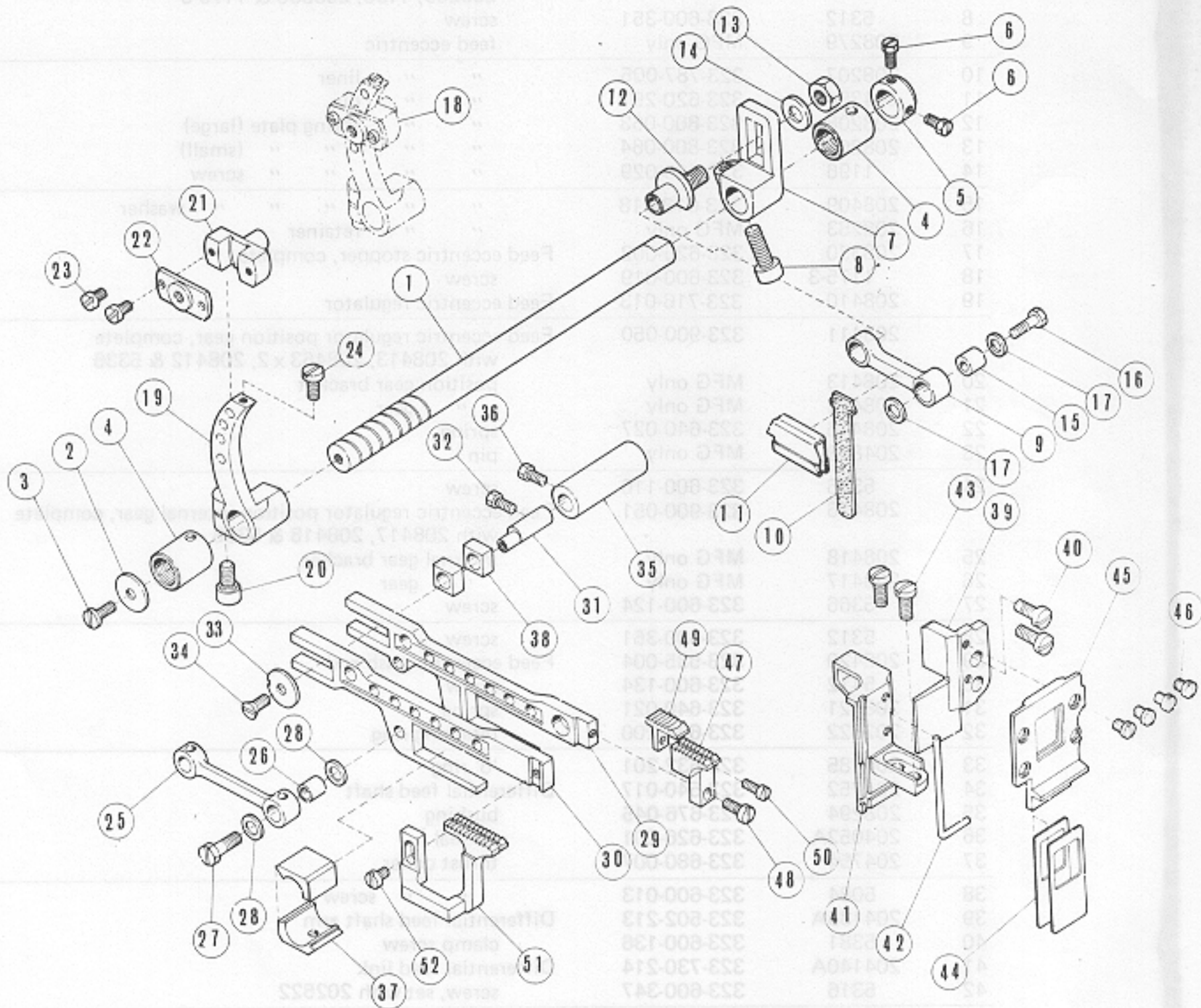
| BT | DESCRIPTION | NEW PRODUCT CODE NO. | PART NO. | REF. NO. |
|----|---|----------------------|----------|----------|
| 1 | Left looper drive connection | 323-600-013 | 202848 | 1 |
| 2 | Cap screw (large) | 323-600-088 | 22431 | 2 |
| 3 | Cap screw (small) | 323-600-020 | 17101 | 3 |
| 4 | Guide | 323-600-000 | 201074A | 4 |
| 5 | Washer | 323-600-000 | 1465 | 5 |
| 6 | Washer | 323-617-200 | 202882 | 6 |
| 7 | Left looper drive block | 323-617-006 | 202887 | 7 |
| 8 | Left looper drive block (for 1-handle machine models) | 323-617-006 | 202887 | 8 |
| 9 | Left looper drive block | 323-617-010 | 202887 | 9 |
| 10 | Left looper drive block | 323-617-010 | 202887 | 10 |
| 11 | Washer | 323-617-010 | 202887 | 11 |
| 12 | Washer | 323-617-010 | 202887 | 12 |
| 13 | Washer | 323-617-010 | 202887 | 13 |
| 14 | Washer | 323-617-010 | 202887 | 14 |
| 15 | Washer | 323-617-010 | 202887 | 15 |
| 16 | Washer | 323-617-010 | 202887 | 16 |
| 17 | Washer | 323-617-010 | 202887 | 17 |
| 18 | Washer | 323-617-010 | 202887 | 18 |
| 19 | Left looper drive block | 323-617-010 | 202887 | 19 |
| 20 | Left looper drive block | 323-617-010 | 202887 | 20 |
| 21 | Left looper drive block | 323-617-010 | 202887 | 21 |
| 22 | Left looper drive block | 323-617-010 | 202887 | 22 |
| 23 | Left looper drive block | 323-617-010 | 202887 | 23 |
| 24 | Left looper drive block | 323-617-010 | 202887 | 24 |
| 25 | Left looper drive block | 323-617-010 | 202887 | 25 |
| 26 | Left looper drive block | 323-617-010 | 202887 | 26 |
| 27 | Left looper drive block | 323-617-010 | 202887 | 27 |
| 28 | Left looper drive block | 323-617-010 | 202887 | 28 |
| 29 | Left looper drive block | 323-617-010 | 202887 | 29 |
| 30 | Left looper drive block | 323-617-010 | 202887 | 30 |
| 31 | Left looper drive block | 323-617-010 | 202887 | 31 |
| 32 | Left looper drive block | 323-617-010 | 202887 | 32 |
| 33 | Left looper drive block | 323-617-010 | 202887 | 33 |
| 34 | Left looper drive block | 323-617-010 | 202887 | 34 |
| 35 | Left looper drive block | 323-617-010 | 202887 | 35 |
| 36 | Left looper drive block | 323-617-010 | 202887 | 36 |
| 37 | Left looper drive block | 323-617-010 | 202887 | 37 |
| 38 | Left looper drive block | 323-617-010 | 202887 | 38 |
| 39 | Left looper drive block | 323-617-010 | 202887 | 39 |
| 40 | Left looper drive block | 323-617-010 | 202887 | 40 |
| 41 | Left looper drive block | 323-617-010 | 202887 | 41 |
| 42 | Left looper drive block | 323-617-010 | 202887 | 42 |
| 43 | Left looper drive block | 323-617-010 | 202887 | 43 |
| 44 | Left looper drive block | 323-617-010 | 202887 | 44 |
| 45 | Left looper drive block | 323-617-010 | 202887 | 45 |
| 46 | Left looper drive block | 323-617-010 | 202887 | 46 |
| 47 | Left looper drive block | 323-617-010 | 202887 | 47 |
| 48 | Left looper drive block | 323-617-010 | 202887 | 48 |
| 49 | Left looper drive block | 323-617-010 | 202887 | 49 |
| 50 | Left looper drive block | 323-617-010 | 202887 | 50 |
| 51 | Left looper drive block | 323-617-010 | 202887 | 51 |
| 52 | Left looper drive block | 323-617-010 | 202887 | 52 |
| 53 | Left looper drive block | 323-617-010 | 202887 | 53 |
| 54 | Left looper drive block | 323-617-010 | 202887 | 54 |
| 55 | Left looper drive block | 323-617-010 | 202887 | 55 |
| 56 | Left looper drive block | 323-617-010 | 202887 | 56 |



(1) MAIN AND DIFFERENTIAL FEED DRIVE MECHANISM

| REF. NO. | PART NO. | NEW PRODUCT CODE NO. | DESCRIPTION | QT. |
|----------|----------|----------------------|---|-----|
| 1 | 204100 | 323-525-232 | Feed drive connection | 1 |
| 2 | 205495 | 323-620-040 | pin | 1 |
| 3 | 5084 | 323-600-013 | " screw | 1 |
| 4 | 204084 | 323-672-200 | needle bearing | 1 |
| 5 | 204085 | 323-576-220 | Feed drive crank | 1 |
| | 208333 | 323-576-020 | Feed drive crank (for 503-4-44 and 503-4-48 only) | 1 |
| 6 | 5381 | 323-600-136 | clamp screw | 1 |
| 7 | 208282 | 323-580-084 | Feed eccentric, complete with 208273, 208279, 208207, 208208, 204354 x 2, 208209, 1196, 208330 & 1175-3 | 1 |
| 8 | 5312 | 323-600-351 | screw | 2 |
| 9 | 208279 | MFG only | feed eccentric | 1 |
| 10 | 208207 | 323-787-005 | " " liner | 1 |
| 11 | 204354 | 323-620-251 | " " pin | 2 |
| 12 | 208208 | 323-800-063 | " " spring plate (large) | 1 |
| 13 | 208209 | 323-800-064 | " " " " (small) | 1 |
| 14 | 1196 | 323-600-029 | " " " " screw | 1 |
| 15 | 208409 | 323-618-018 | " " " " " washer | 1 |
| 16 | 208283 | MFG only | " " retainer | 1 |
| 17 | 208330 | 323-625-002 | Feed eccentric stopper, complete | 1 |
| 18 | 1175-3 | 323-600-019 | screw | 1 |
| 19 | 208410 | 323-716-013 | Feed eccentric regulator | 1 |
| | 208411 | 323-900-050 | Feed eccentric regulator position gear, complete with 208413, 208463 x 2, 208412 & 5336 | 1 |
| 20 | 208413 | MFG only | position gear bracket | 1 |
| 21 | 208412 | MFG only | " gear | 1 |
| 22 | 208415 | 323-640-027 | spring | 2 |
| 23 | 204863 | MFG only | pin | 2 |
| 24 | 5336 | 323-600-116 | screw | 1 |
| | 208416 | 323-900-051 | Feed eccentric regulator position internal gear, complete with 208417, 208418 & 5366 | 1 |
| 25 | 208418 | MFG only | internal gear bracket | 1 |
| 26 | 208417 | MFG only | " gear | 1 |
| 27 | 5366 | 323-600-124 | screw | 4 |
| 28 | 5312 | 323-600-351 | screw | 2 |
| 29 | 208420 | 323-535-004 | Feed eccentric push rod | 1 |
| 30 | 5412 | 323-600-134 | screw | 1 |
| 31 | 208421 | 323-640-021 | spring | 1 |
| 32 | 202522 | 323-634-200 | retaining ring | 1 |
| 33 | 204185 | 323-632-201 | 'o' ring | 1 |
| 34 | 204752 | 323-540-017 | Differential feed shaft | 1 |
| 35 | 208294 | 323-676-045 | bushing | 1 |
| 36 | 204052A | 323-626-201 | oil seal | 1 |
| 37 | 204754 | 323-680-007 | thrust collar | 1 |
| 38 | 5084 | 323-600-013 | " " screw | 2 |
| 39 | 204139A | 323-502-213 | Differential feed shaft arm | 1 |
| 40 | 5381 | 323-600-136 | clamp screw | 1 |
| 41 | 204140A | 323-730-214 | Differential feed link | 1 |
| 42 | 5316 | 323-600-347 | screw, set with 202522 | 2 |
| 43 | 202522 | 323-634-200 | screw retaining ring | 2 |
| 44 | 204755 | 323-530-011 | Differential feed regulating lever (rear) | 1 |
| 45 | 5118 | 323-600-060 | screw | 1 |
| 46 | 204883 | 323-530-018 | lever (front) | 1 |
| 47 | 1216 | 323-600-068 | " " screw | 1 |
| 48 | 204142B | 323-800-036 | " guide | 1 |
| 49 | 5118 | 323-600-060 | " " screw | 2 |
| 50 | 204143A | 323-891-200 | " lift guide | 2 |
| 51 | 5321A | 323-600-083 | " adjust screw | 1 |
| 52 | 204870 | 323-630-017 | " " nut | 1 |
| 53 | 202868 | 323-618-209 | " " " washer | 1 |
| 54 | 204756 | 323-640-006 | Differential feed regulating spring | 1 |
| 55 | 204757 | 323-600-102 | latch screw | 1 |
| 56 | 204869 | 323-600-107 | Knee controller chain hook latch screw | 1 |

(1) MAIN AND DIFFERENTIAL FEED DRIVE MECHANISM

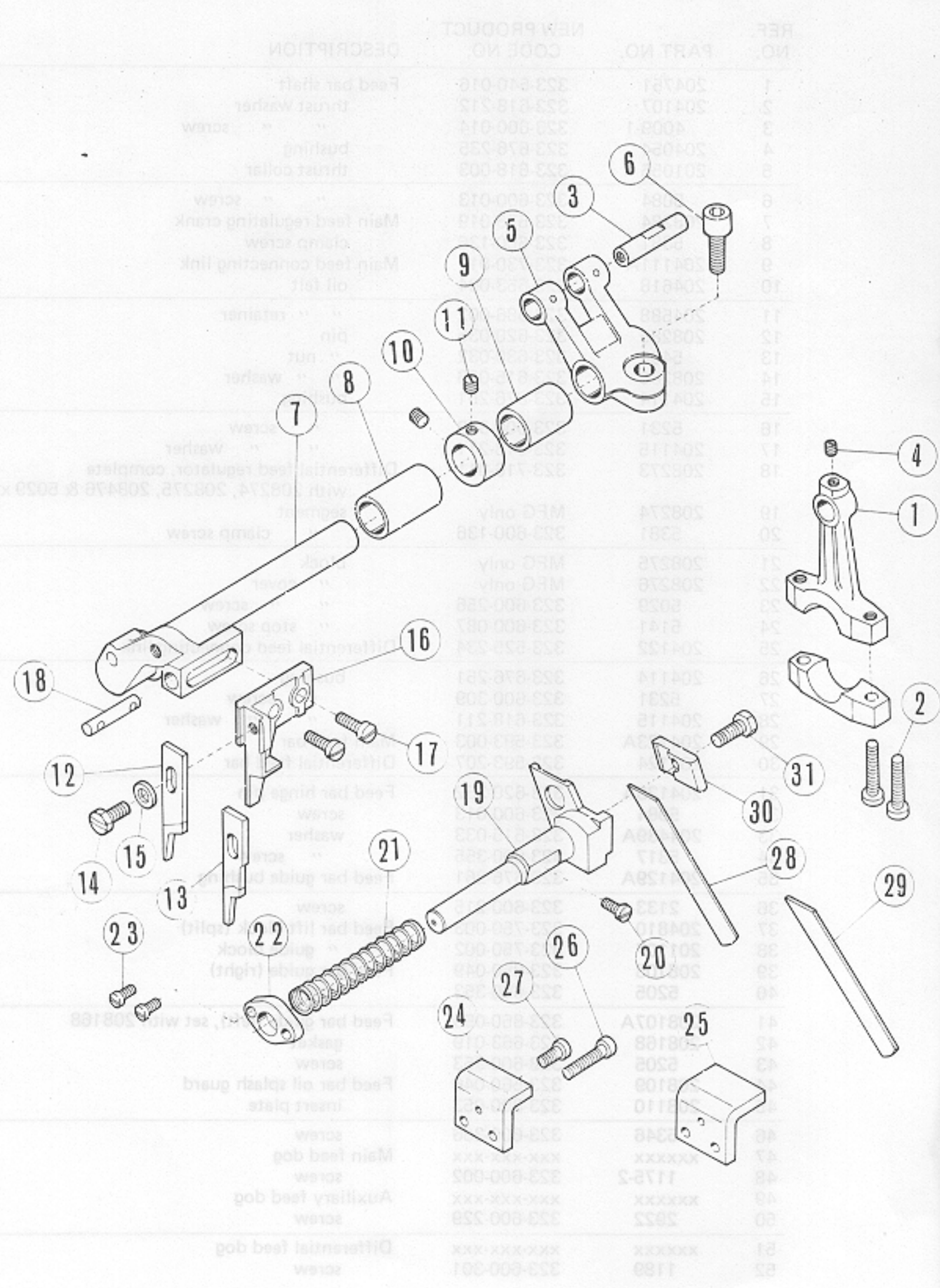


| REF NO | PART NO | NEW PRODUCT CODE NO | DESCRIPTION |
|--------|---------|---------------------|--|
| 1 | 204108 | 323-625-932 | Feed drive connection pin |
| 2 | 208488 | 323-620-040 | " screw |
| 3 | 2084 | 323-600-013 | needle bearing |
| 4 | 204084 | 323-622-200 | Feed drive crank |
| 5 | 204088 | 323-626-220 | Feed drive crank |
| 6 | 208323 | 323-628-020 | Feed drive crank (for 803-4-44 and 203-4-18 only) |
| 7 | 208282 | 323-600-138 | clamp screw |
| 8 | 2081 | 323-600-138 | Feed eccentric complete with 208273, 208278, 208207, 208208, 204354 x 2, 208209, 1186, 208220 & 1175-3 screw |
| 9 | 2081 | 323-600-138 | lead eccentric |
| 10 | 2081 | 323-600-138 | lead eccentric |
| 11 | 2081 | 323-600-138 | lead eccentric |
| 12 | 2081 | 323-600-138 | lead eccentric |
| 13 | 2081 | 323-600-138 | lead eccentric |
| 14 | 2081 | 323-600-138 | lead eccentric |
| 15 | 2081 | 323-600-138 | lead eccentric |
| 16 | 2081 | 323-600-138 | lead eccentric |
| 17 | 2081 | 323-600-138 | lead eccentric |
| 18 | 2081 | 323-600-138 | lead eccentric |
| 19 | 2081 | 323-600-138 | lead eccentric |
| 20 | 2081 | 323-600-138 | lead eccentric |
| 21 | 2081 | 323-600-138 | lead eccentric |
| 22 | 2081 | 323-600-138 | lead eccentric |
| 23 | 2081 | 323-600-138 | lead eccentric |
| 24 | 2081 | 323-600-138 | lead eccentric |
| 25 | 2081 | 323-600-138 | lead eccentric |
| 26 | 2081 | 323-600-138 | lead eccentric |
| 27 | 2081 | 323-600-138 | lead eccentric |
| 28 | 2081 | 323-600-138 | lead eccentric |
| 29 | 2081 | 323-600-138 | lead eccentric |
| 30 | 2081 | 323-600-138 | lead eccentric |
| 31 | 2081 | 323-600-138 | lead eccentric |
| 32 | 2081 | 323-600-138 | lead eccentric |
| 33 | 2081 | 323-600-138 | lead eccentric |
| 34 | 2081 | 323-600-138 | lead eccentric |
| 35 | 2081 | 323-600-138 | lead eccentric |
| 36 | 2081 | 323-600-138 | lead eccentric |
| 37 | 2081 | 323-600-138 | lead eccentric |
| 38 | 2081 | 323-600-138 | lead eccentric |
| 39 | 2081 | 323-600-138 | lead eccentric |
| 40 | 2081 | 323-600-138 | lead eccentric |
| 41 | 2081 | 323-600-138 | lead eccentric |
| 42 | 2081 | 323-600-138 | lead eccentric |
| 43 | 2081 | 323-600-138 | lead eccentric |
| 44 | 2081 | 323-600-138 | lead eccentric |
| 45 | 2081 | 323-600-138 | lead eccentric |
| 46 | 2081 | 323-600-138 | lead eccentric |
| 47 | 2081 | 323-600-138 | lead eccentric |
| 48 | 2081 | 323-600-138 | lead eccentric |
| 49 | 2081 | 323-600-138 | lead eccentric |
| 50 | 2081 | 323-600-138 | lead eccentric |
| 51 | 2081 | 323-600-138 | lead eccentric |
| 52 | 2081 | 323-600-138 | lead eccentric |
| 48 | 208222 | 323-624-200 | screw retaining ring |
| 49 | 204758 | 323-620-011 | Differential feed regulating lever (rear) |
| 50 | 2081 | 323-600-080 | screw |
| 51 | 2081 | 323-620-018 | lever (front) |
| 52 | 2081 | 323-600-088 | " screw |
| 53 | 2041428 | 323-600-028 | guide |
| 54 | 2081 | 323-600-080 | " screw |
| 55 | 204142A | 323-601-200 | lift guide |
| 56 | 2081 | 323-600-082 | adjust screw |
| 57 | 204870 | 323-600-017 | " nut |
| 58 | 20868 | 323-618-208 | " washer |
| 59 | 204728 | 323-640-008 | Differential feed regulating spring |
| 60 | 204787 | 323-600-102 | latch screw |
| 61 | 20869 | 323-600-107 | Knee controller chain hook latch screw |

(2) MAIN AND DIFFERENTIAL FEED DRIVE MECHANISM

| REF. NO. | PART NO. | NEW PRODUCT CODE NO. | DESCRIPTION | QT. |
|----------|----------|----------------------|---|-----|
| 1 | 204751 | 323-540-016 | Feed bar shaft | 1 |
| 2 | 204107 | 323-618-212 | thrust washer | 1 |
| 3 | 4009-1 | 323-600-014 | " " screw | 1 |
| 4 | 204054 | 323-676-235 | bushing | 2 |
| 5 | 201056 | 323-618-003 | thrust collar | 1 |
| 6 | 5084 | 323-600-013 | " " screw | 2 |
| 7 | 208284 | 323-576-019 | Main feed regulating crank | 1 |
| 8 | 5381 | 323-600-136 | clamp screw | 1 |
| 9 | 204111A | 323-730-011 | Main feed connecting link | 1 |
| 10 | 204618 | 323-653-004 | oil felt | 1 |
| 11 | 204588 | 323-686-002 | " " retainer | 1 |
| 12 | 208285 | 323-620-035 | pin | 1 |
| 13 | 5404 | 323-630-032 | " nut | 1 |
| 14 | 208286 | 323-615-036 | " " washer | 1 |
| 15 | 204114 | 323-676-251 | bushing | 1 |
| 16 | 5231 | 323-600-309 | " screw | 1 |
| 17 | 204115 | 323-618-211 | " " washer | 2 |
| 18 | 208273 | 323-716-011 | Differential feed regulator, complete with 208274, 208275, 208476 & 5029 x 2 | 1 |
| 19 | 208274 | MFG only | segment | 1 |
| 20 | 5381 | 323-600-136 | " clamp screw | 1 |
| 21 | 208275 | MFG only | block | 1 |
| 22 | 208276 | MFG only | " cover | 1 |
| 23 | 5029 | 323-600-256 | " " screw | 2 |
| 24 | 5141 | 323-600-087 | " stop screw | 1 |
| 25 | 204122 | 323-525-234 | Differential feed connecting link | 1 |
| 26 | 204114 | 323-676-251 | bushing | 1 |
| 27 | 5231 | 323-600-309 | " screw | 1 |
| 28 | 204115 | 323-618-211 | " " washer | 2 |
| 29 | 204123A | 323-593-003 | Main feed bar | 1 |
| 30 | 204124 | 323-593-207 | Differential feed bar | 1 |
| 31 | 204128A | 323-620-252 | Feed bar hinge pin | 1 |
| 32 | 5084 | 323-600-013 | screw | 1 |
| 33 | 204439A | 323-615-033 | washer | 1 |
| 34 | 5317 | 323-600-355 | " screw | 1 |
| 35 | 204129A | 323-676-261 | Feed bar guide bushing | 1 |
| 36 | 2133-1 | 323-600-215 | screw | 1 |
| 37 | 204810 | 323-750-003 | Feed bar lift block (split) | 1 |
| 38 | 201107 | 323-750-002 | " " guide block | 2 |
| 39 | 208108 | 323-850-049 | Feed bar guide (right) | 1 |
| 40 | 5205 | 323-600-353 | screw | 2 |
| 41 | 208107A | 323-850-050 | Feed bar guide (left), set with 208168 | 1 |
| 42 | 208168 | 323-663-019 | gasket | 1 |
| 43 | 5205 | 323-600-353 | screw | 2 |
| 44 | 208109 | 323-560-046 | Feed bar oil splash guard | 2 |
| 45 | 208110 | 323-800-053 | insert plate | 1 |
| 46 | 5346 | 323-600-366 | screw | 4 |
| 47 | xxxxxx | xxx-xxx-xxx | Main feed dog | 1 |
| 48 | 1175-2 | 323-600-002 | screw | 1 |
| 49 | xxxxxx | xxx-xxx-xxx | Auxiliary feed dog | 1 |
| 50 | 2922 | 323-600-229 | screw | 1 |
| 51 | xxxxxx | xxx-xxx-xxx | Differential feed dog | 1 |
| 52 | 1189 | 323-600-301 | screw | 1 |

(2) MAIN AND DIFFERENTIAL FEED DRIVE MECHANISM

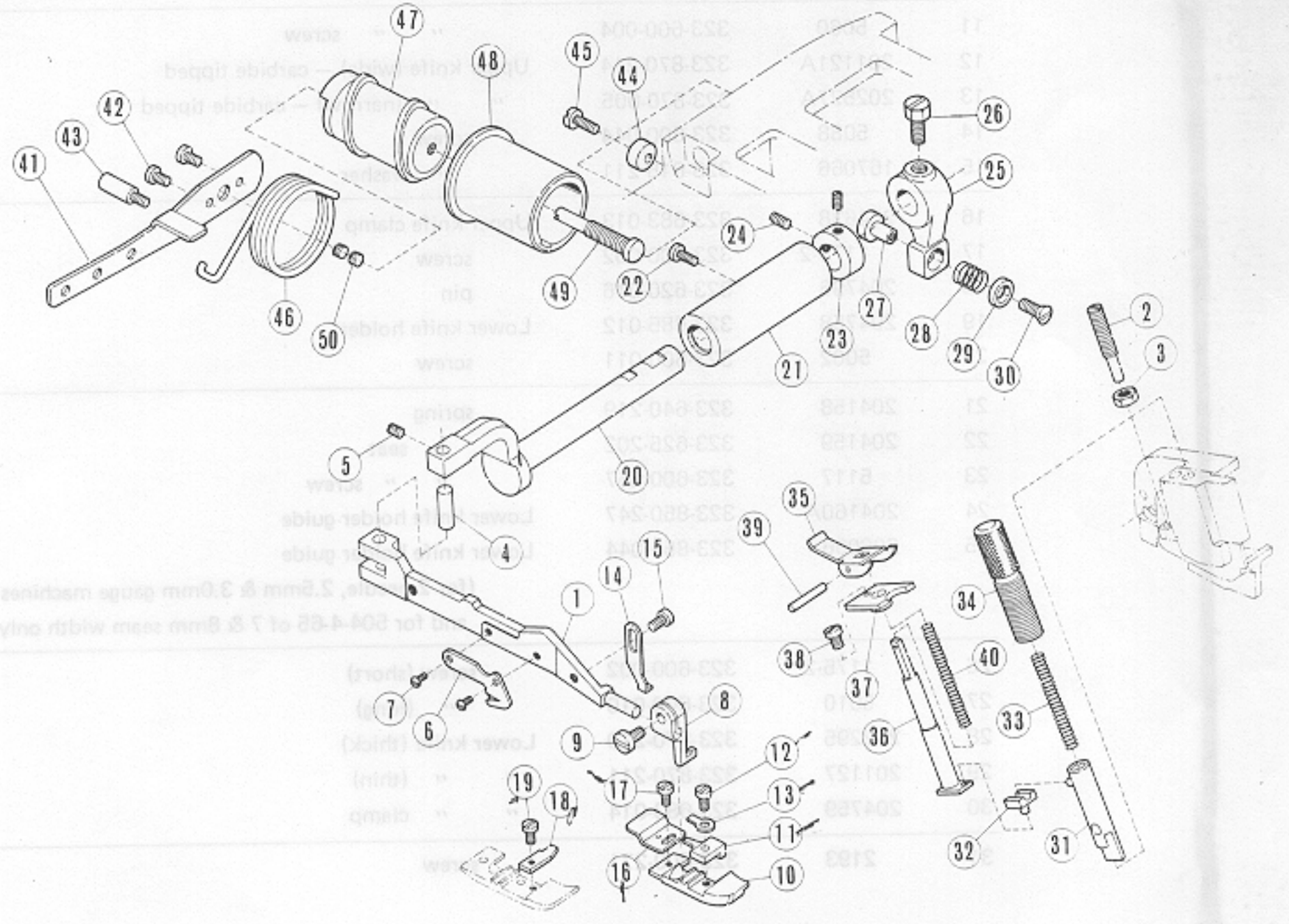


UPPER AND LOWER KNIFE DRIVE MECHANISM

| REF. NO. | PART NO. | NEW PRODUCT CODE NO. | DESCRIPTION | QT. |
|----------|----------|----------------------|---|-----|
| 1 | 204145A | 323-525-014 | Upper knife drive connection | 1 |
| 2 | 5233 | 323-600-296 | cap screw | 2 |
| 3 | 204146 | 323-620-244 | pin | 1 |
| 4 | 1458 | 323-600-037 | " screw | 1 |
| 5 | 204147 | 323-525-236 | Upper knife drive crank | 1 |
| 6 | 5381 | 323-600-136 | clamp screw | 1 |
| 7 | 204148B | 323-685-008 | Upper knife lever | 1 |
| 8 | 204149 | 323-676-239 | bushing (left) | 1 |
| 9 | 204150 | 323-680-208 | " (right) | 1 |
| 10 | 201635 | 323-680-207 | thrust coilar | 1 |
| 11 | 5060 | 323-600-004 | " " screw | 2 |
| 12 | 201121A | 323-870-214 | Upper knife (wide) — carbide tipped | 1 |
| 13 | 202527A | 323-870-005 | " " (narrow) — carbide tipped | 1 |
| 14 | 5088 | 323-600-044 | screw | 1 |
| 15 | 167066 | 323-615-211 | " washer | 1 |
| 16 | 204638 | 323-683-013 | Upper knife clamp | 1 |
| 17 | 1175-2 | 323-600-002 | screw | 2 |
| 18 | 204796 | 323-620-016 | pin | 1 |
| 19 | 204758 | 323-685-012 | Lower knife holder | 1 |
| 20 | 5002 | 323-600-011 | screw | 1 |
| 21 | 204158 | 323-640-219 | spring | 1 |
| 22 | 204159 | 323-625-202 | " seat | 1 |
| 23 | 5117 | 323-600-057 | " " screw | 2 |
| 24 | 204160A | 323-850-247 | Lower knife holder guide | 1 |
| 25 | 208096 | 323-850-044 | Lower knife holder guide (for 2-needle, 2.5mm & 3.0mm gauge machines and for 504-4-65 of 7 & 8mm seam width only) | 1 |
| 26 | 1175-2 | 323-600-002 | screw (short) | 1 |
| 27 | 5010 | 323-600-010 | " (long) | 1 |
| 28 | 202295 | 323-870-210 | Lower knife (thick) | 1 |
| 29 | 201127 | 323-870-211 | " " (thin) | 1 |
| 30 | 204759 | 323-683-014 | " " clamp | 1 |
| 31 | 2193 | 323-600-271 | screw | 1 |

UPPER AND LOWER KNIFE DRIVE MECHANISM

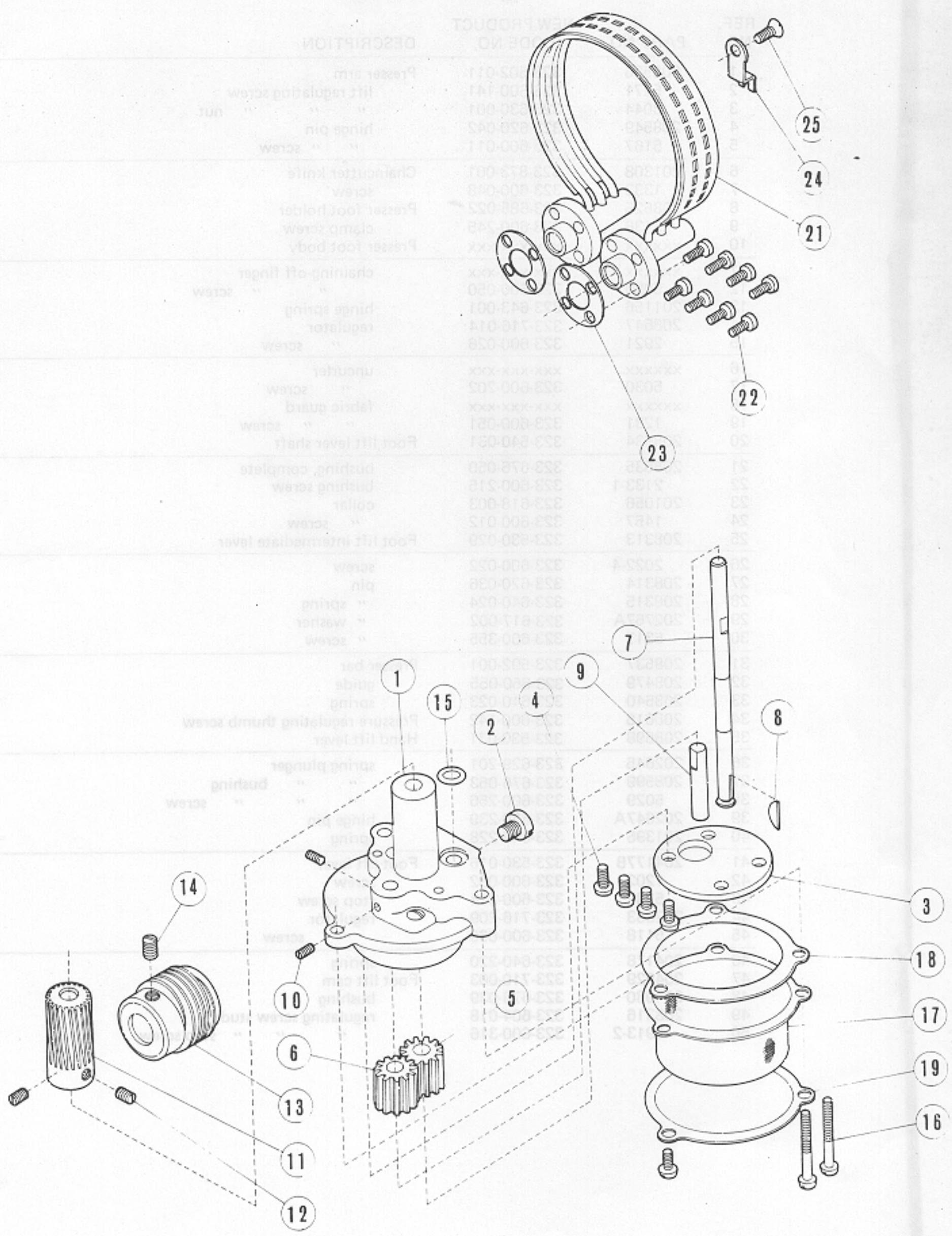
| REF NO | PART NO | NEW PRODUCT CODE NO | DESCRIPTION |
|--------|---------|---------------------|------------------------------|
| 1 | 204145A | 323-828-014 | Upper knife drive connection |
| 2 | 8233 | 323-800-298 | cap screw |
| 3 | 204146 | 323-820-244 | pin |
| 4 | 1488 | 323-800-037 | " screw |
| 5 | 204147 | 323-828-238 | Upper knife drive crank |
| 6 | 6381 | 323-800-138 | clamp screw |
| 7 | 204148B | 323-888-008 | Upper knife lever |
| 8 | 204149 | 323-876-238 | bushing (left) |
| 9 | 204150 | 323-880-207 | " (right) |
| 10 | 201835 | 323-880-207 | brass collar |



PRESSER FOOT AND LIFT MECHANISM

| REF. NO. | PART NO. | NEW PRODUCT CODE NO. | DESCRIPTION | QT. |
|----------|----------|----------------------|---------------------------------|-----|
| 1 | 208526 | 323-502-011 | Presser arm | 1 |
| 2 | 5271 | 323-600-141 | lift regulating screw | 1 |
| 3 | 3044 | 323-630-001 | " " " nut | 1 |
| 4 | 208549 | 323-620-042 | hinge pin | 1 |
| 5 | 5167 | 325-600-011 | " " screw | 1 |
| 6 | 201308 | 323-873-001 | Chaincutter knife | 1 |
| 7 | 1333 | 323-600-048 | screw | 2 |
| 8 | 208525 | 323-685-022 | Presser foot holder | 1 |
| 9 | 5136 | 323-600-245 | clamp screw | 1 |
| 10 | xxxxxx | xxx-xxx-xxx | Presser foot body | 1 |
| 11 | xxxxxx | xxx-xxx-xxx | chaining-off finger | 1 |
| 12 | 5089 | 323-600-050 | " " screw | 1 |
| 13 | 201156 | 323-643-001 | hinge spring | 1 |
| 14 | 208547 | 323-716-014 | regulator | 1 |
| 15 | 2921 | 323-600-026 | " screw | 1 |
| 16 | xxxxxx | xxx-xxx-xxx | uncurler | 1 |
| 17 | 5030 | 323-600-202 | " screw | 1 |
| 18 | xxxxxx | xxx-xxx-xxx | fabric guard | 1 |
| 19 | 1231 | 323-600-051 | " " screw | 1 |
| 20 | 208534 | 323-540-031 | Foot lift lever shaft | 1 |
| 21 | 208535 | 323-676-050 | bushing, complete | 1 |
| 22 | 2133-1 | 323-600-215 | bushing screw | 1 |
| 23 | 201056 | 323-618-003 | collar | 1 |
| 24 | 1457 | 323-600-012 | " screw | 2 |
| 25 | 208313 | 323-530-029 | Foot lift intermediate lever | 1 |
| 26 | 2022-4 | 323-600-022 | screw | 1 |
| 27 | 208314 | 323-620-036 | pin | 1 |
| 28 | 208315 | 323-640-024 | " spring | 1 |
| 29 | 202757A | 323-617-002 | " washer | 1 |
| 30 | 5317 | 323-600-355 | " screw | 1 |
| 31 | 208537 | 323-592-001 | Presser bar | 1 |
| 32 | 208479 | 323-850-055 | guide | 1 |
| 33 | 208540 | 323-640-023 | spring | 1 |
| 34 | 208615 | 323-600-142 | Pressure regulating thumb screw | 1 |
| 35 | 208598 | 323-530-031 | Hand lift lever | 1 |
| 36 | 202645 | 323-629-201 | spring plunger | 1 |
| 37 | 208599 | 323-676-053 | " " bushing | 1 |
| 38 | 5029 | 323-600-256 | " " " screw | 1 |
| 39 | 202647A | 323-620-239 | hinge pin | 1 |
| 40 | 201395 | 323-640-228 | spring | 1 |
| 41 | 204177B | 323-530-016 | Foot lift lever | 1 |
| 42 | 1202 | 323-600-032 | screw | 2 |
| 43 | 5232 | 323-600-314 | stop screw | 1 |
| 44 | 202683 | 323-716-209 | regulator | 1 |
| 45 | 5118 | 323-600-060 | " screw | 1 |
| 46 | 204178 | 323-640-220 | spring | 1 |
| 47 | 204929 | 323-710-003 | Foot lift cam | 1 |
| 48 | 204930 | 323-676-039 | bushing | 1 |
| 49 | 208316 | 323-604-018 | regulating screw stud | 1 |
| 50 | 2913-2 | 323-600-316 | " " " stop screw | 1 |

PRESSER FOOT AND LIFT MECHANISM

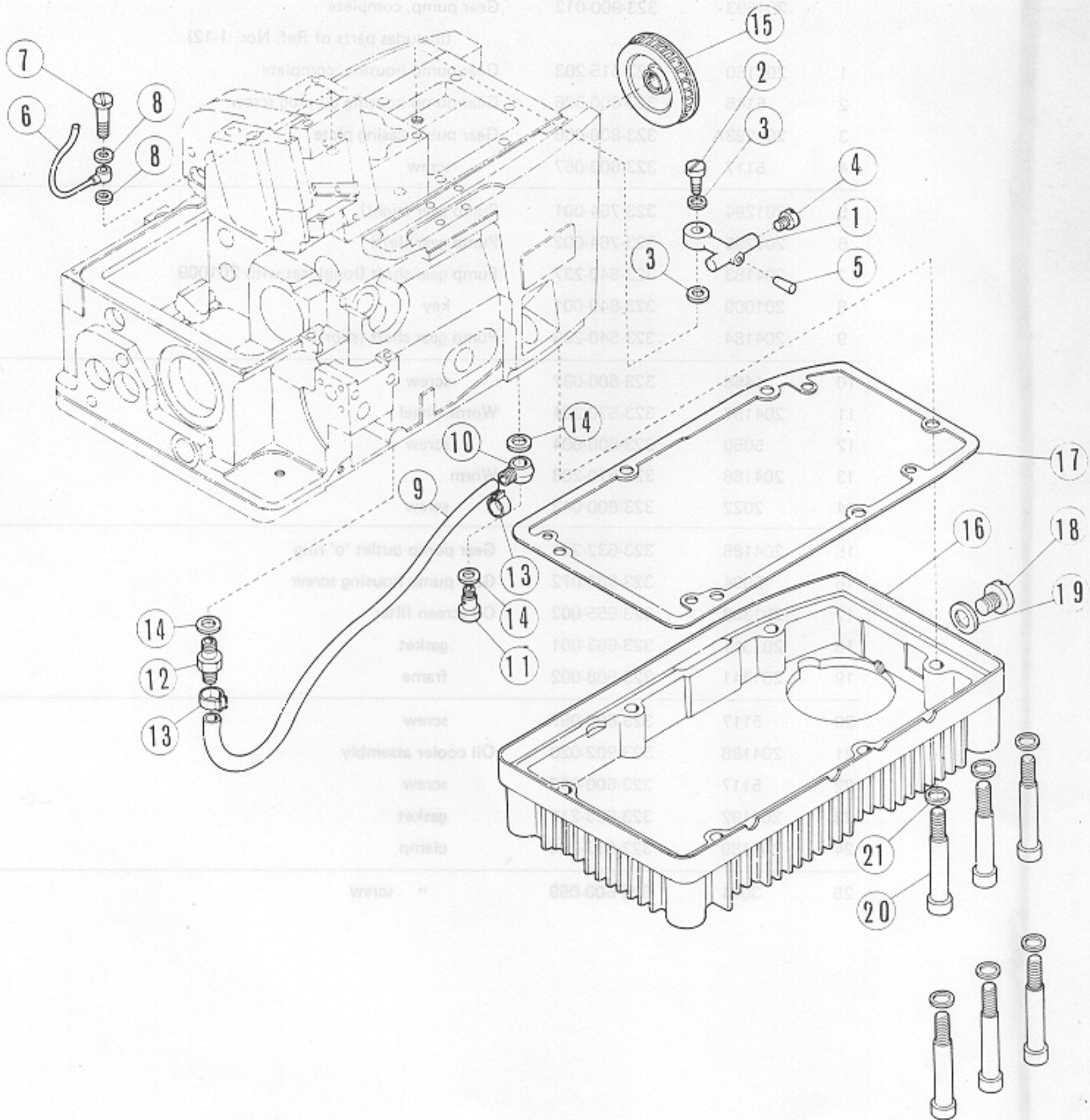


(1) PUMP LUBRICATING MECHANISM

| REF. NO. | PART NO. | NEW PRODUCT CODE NO. | DESCRIPTION | QT. |
|----------|----------|----------------------|---|-----|
| | 204593 | 323-900-012 | Gear pump, complete (includes parts of Ref. Nos. 1-12) | 1 |
| 1 | 204180 | 323-515-203 | Gear pump housing, complete | 1 |
| 2 | 5145 | 323-600-326 | Gear pump housing oil plug screw | 1 |
| 3 | 201293A | 323-800-006 | Gear pump casing plate | 1 |
| 4 | 5117 | 323-600-057 | screw | 4 |
| 5 | 201294 | 323-764-001 | Pump gear (right) | 1 |
| 6 | 201295 | 323-764-002 | Pump gear (left) | 1 |
| 7 | 204183 | 323-540-237 | Pump gear shaft (long), set with 201009 | 1 |
| 8 | 201009 | 323-649-001 | key | 1 |
| 9 | 204184 | 323-540-236 | Pump gear shaft (short) | 1 |
| 10 | 1458 | 323-600-037 | screw | 2 |
| 11 | 204187 | 323-570-204 | Worm wheel | 1 |
| 12 | 5060 | 323-600-004 | screw | 2 |
| 13 | 204186 | 323-570-203 | Worm | 1 |
| 14 | 2022 | 323-600-043 | screw | 1 |
| 15 | 204185 | 323-632-201 | Gear pump outlet 'o' ring | 1 |
| 16 | 5094 | 323-600-072 | Gear pump housing screw | 2 |
| 17 | 201338 | 323-655-002 | Oil screen filter | 1 |
| 18 | 201311 | 323-663-001 | gasket | 1 |
| 19 | 201341 | 323-508-002 | frame | 1 |
| 20 | 5117 | 323-600-057 | screw | 1 |
| 21 | 204188 | 323-902-020 | Oil cooler assembly | 1 |
| 22 | 5117 | 323-600-057 | screw | 8 |
| 23 | 204192 | 323-663-211 | gasket | 2 |
| 24 | 204189 | 323-683-214 | clamp | 1 |
| 25 | 3001 | 323-600-059 | " screw | 1 |

MACHINE BED FRAME

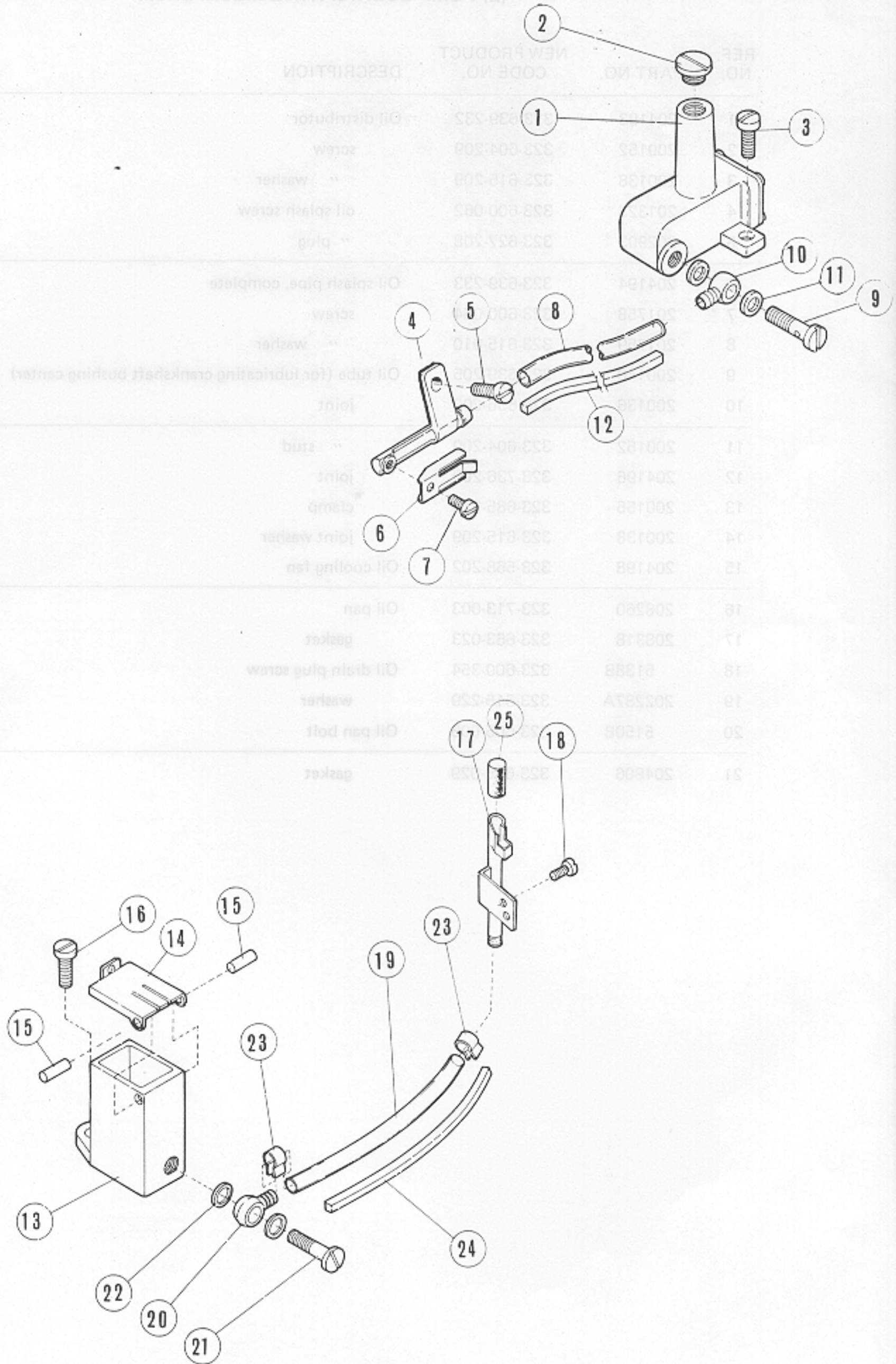
| REF. NO. | PART NO. | NEW PRODUCT CODE NO. | DESCRIPTION | QT. |
|----------|----------|----------------------|---------------------------------|-----|
| 1 | 208601 | MFG only | Machine bed frame | 1 |
| 2 | 5332 | 323-600-359 | oil hole plug screw (with head) | 1 |
| 3 | 2022 | 323-600-043 | " " " screw | 3 |
| 4 | 208602 | 323-500-019 | Machine arm (right) | 1 |
| 5 | 204251 | 323-663-207 | gasket | 1 |
| 6 | 5078 | 323-600-001 | screw | 1 |
| 7 | 201002 | 323-620-001 | dowel pin | 2 |
| 8 | 208603 | 323-500-020 | Machine arm (left) | 1 |
| 9 | 5237 | 323-600-327 | screw (long) | 1 |
| 10 | 5163 | 323-600-328 | " (short) | 2 |
| 11 | 201002 | 323-620-001 | dowel pin | 2 |
| 12 | 208434 | 323-560-047 | oil shield | 1 |
| 13 | 208169A | 323-663-021 | gasket | 1 |
| 14 | 204003 | 323-882-201 | Oil sight gauge | 1 |
| 15 | 208173 | 323-780-009 | Dead hole plug | 1 |
| 16 | 204828 | 323-627-010 | " " plug | 1 |
| 17 | 5179 | 323-600-329 | " " " screw (small) | 2 |
| 18 | 201006 | 323-615-001 | " " " " " washer | 2 |
| 19 | 204006 | 323-620-242 | Machine bed bottom pin | 4 |
| 20 | 208440 | 323-692-034 | Type plate blank - 504-4 | 1 |
| | 208442 | 323-692-036 | " " blank - 503-4 | 1 |
| | 208444 | 323-692-037 | " " blank - 512-4 | 1 |
| | 208441 | 323-692-035 | " " blank - 514-4 | 1 |
| 21 | 204794A | 323-655-007 | Machine bed oil filter | 1 |
| 22 | 208289 | 323-800-056 | Machine bed cover plate (back) | 1 |
| 23 | 208290 | 323-663-020 | gasket | 1 |
| 24 | 5117 | 323-600-057 | screw | 5 |
| 25 | 202526 | 323-692-201 | Manufacturer's name plate | 1 |



(2) PUMP LUBRICATING MECHANISM

| REF. NO. | PART NO. | NEW PRODUCT CODE NO. | DESCRIPTION | QT. |
|----------|----------|----------------------|--|-----|
| 1 | 204193 | 323-639-232 | Oil distributor | 1 |
| 2 | 200152 | 323-604-209 | screw | 1 |
| 3 | 200138 | 323-615-209 | " washer | 2 |
| 4 | 201323 | 323-600-062 | oil splash screw | 1 |
| 5 | 202903 | 323-627-208 | " plug | 1 |
| 6 | 204194 | 323-639-233 | Oil splash pipe, complete | 1 |
| 7 | 201758 | 323-600-064 | screw | 1 |
| 8 | 201759 | 323-615-010 | " washer | 2 |
| 9 | 200140 | 323-639-205 | Oil tube (for lubricating crankshaft bushing center) | 1 |
| 10 | 200136 | 323-636-200 | joint | 1 |
| 11 | 200152 | 323-604-209 | " stud | 1 |
| 12 | 204196 | 323-736-200 | joint | 1 |
| 13 | 200155 | 323-685-213 | clamp | 2 |
| 14 | 200138 | 323-615-209 | joint washer | 3 |
| 15 | 204198 | 323-568-202 | Oil cooling fan | 1 |
| 16 | 208260 | 323-713-003 | Oil pan | 1 |
| 17 | 208318 | 323-663-023 | gasket | 1 |
| 18 | 51388 | 323-600-354 | Oil drain plug screw | 1 |
| 19 | 202287A | 323-615-229 | washer | 1 |
| 20 | 5150B | 323-605-006 | Oil pan bolt | 6 |
| 21 | 204806 | 323-615-029 | gasket | 6 |

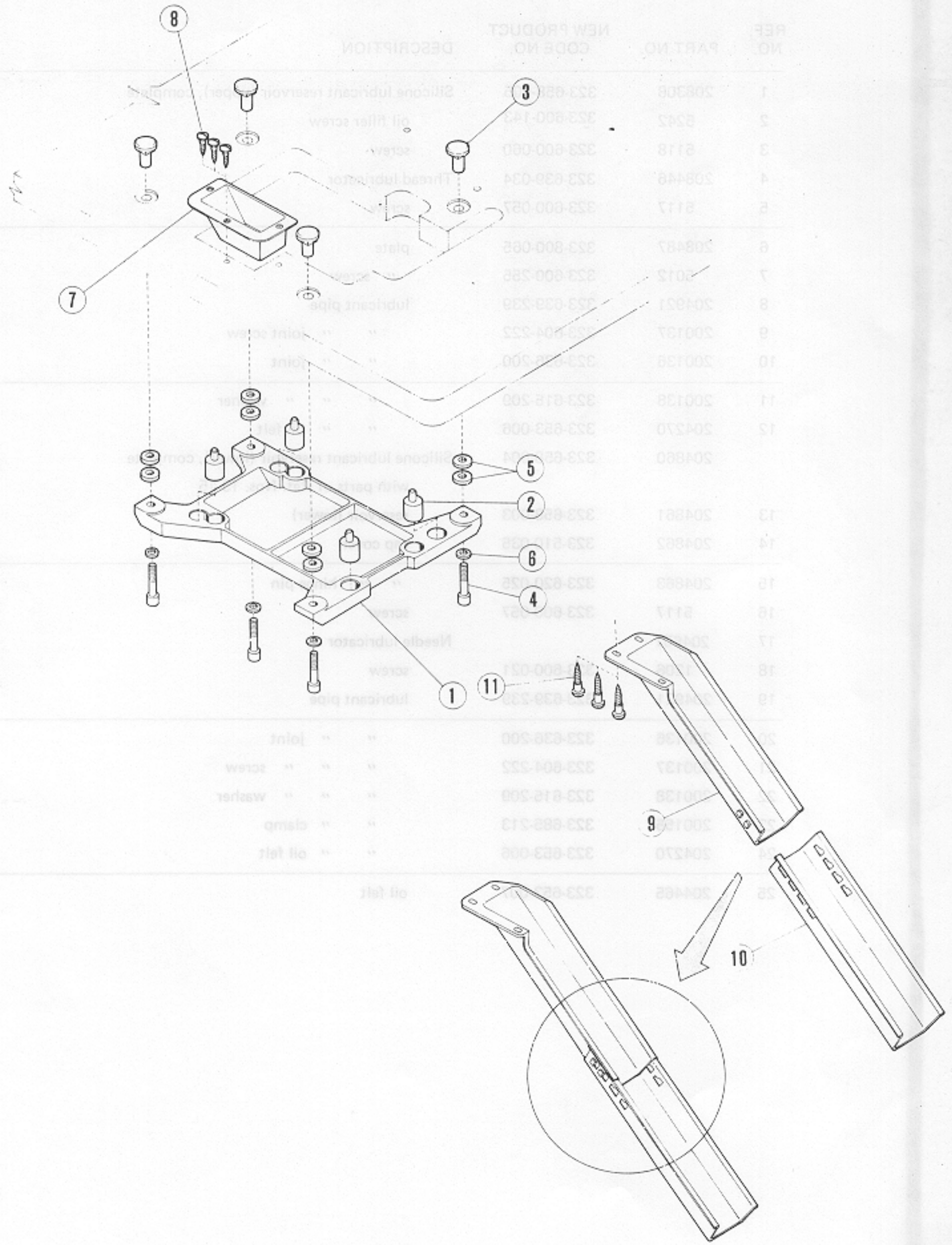
(2) PUMP LUBRICATING MECHANISM



NEEDLE AND THREAD LUBRICATOR
(Optional parts)

| REF. NO. | PART NO. | NEW PRODUCT CODE NO. | DESCRIPTION | QT. |
|----------|----------|----------------------|---|-----|
| 1 | 208308 | 323-658-005 | Silicone lubricant reservoir (upper), complete | 1 |
| 2 | 5242 | 323-600-143 | oil filler screw | 1 |
| 3 | 5118 | 323-600-060 | screw | 1 |
| 4 | 208446 | 323-639-034 | Thread lubricator | 1 |
| 5 | 5117 | 323-600-057 | screw | 1 |
| 6 | 208487 | 323-800-065 | plate | 1 |
| 7 | 5012 | 323-600-255 | " screw | 1 |
| 8 | 204921 | 323-639-239 | lubricant pipe | 1 |
| 9 | 200137 | 323-604-222 | " " joint screw | 1 |
| 10 | 200136 | 323-636-200 | " " joint | 1 |
| 11 | 200138 | 323-615-209 | " " " washer | 2 |
| 12 | 204270 | 323-653-006 | " " oil felt | 1 |
| | 204860 | 323-658-004 | Silicone lubricant reservoir (lower), complete with parts of Ref. Nos. 13-15 | 1 |
| 13 | 204861 | 323-658-003 | reservoir (lower) | 1 |
| 14 | 204862 | 323-510-035 | cap cover | 1 |
| 15 | 204863 | 323-620-025 | " " hinge pin | 2 |
| 16 | 5117 | 323-600-057 | screw | 1 |
| 17 | 204651 | | Needle lubricator | 1 |
| 18 | 1206 | 323-600-021 | screw | 1 |
| 19 | 204921 | 323-639-239 | lubricant pipe | 1 |
| 20 | 200136 | 323-636-200 | " " joint | 1 |
| 21 | 200137 | 323-604-222 | " " " screw | 1 |
| 22 | 200138 | 323-615-209 | " " " washer | 2 |
| 23 | 200155 | 323-685-213 | " " clamp | 2 |
| 24 | 204270 | 323-653-006 | " " oil felt | 1 |
| 25 | 204465 | 323-653-007 | oil felt | 1 |

NEEDLE AND THREAD LUBRICATOR
(Optional parts)

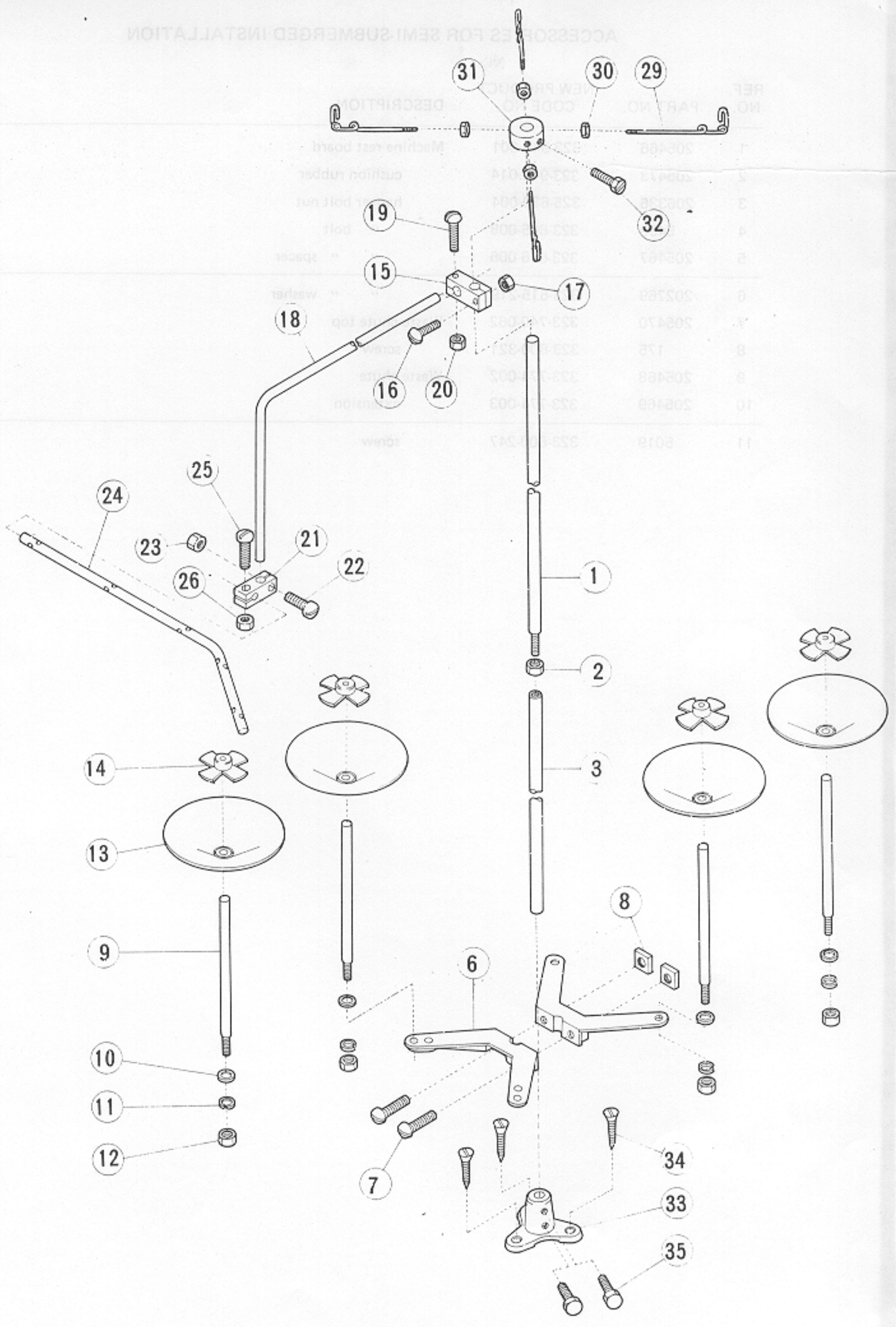


| REF. NO. | PART NO. | NEW PRODUCT CODE NO. | DESCRIPTION |
|----------|----------|----------------------|---|
| 1 | 208308 | 323-683-008 | Silicone lubricant (reservoir) complete |
| 2 | 8242 | 323-600-142 | oil filter screw |
| 3 | 8118 | 323-600-080 | screw |
| 4 | 208448 | 323-639-034 | Thread lubricator |
| 5 | 8117 | 323-600-057 | screw |
| 6 | 208487 | 323-800-088 | plate |
| 7 | 2012 | 323-600-288 | screw |
| 8 | 204921 | 323-639-239 | lubricant pipe |
| 9 | 200137 | 323-604-222 | joint screw |
| 10 | 200138 | 323-612-200 | joint |
| 11 | 200138 | 323-612-200 | joint |
| 12 | 204270 | 323-683-008 | oil felt |
| 13 | 204880 | 323-683-008 | oil felt |
| 14 | 204881 | 323-683-008 | oil felt |
| 15 | 204882 | 323-612-200 | joint |
| 16 | 204883 | 323-683-008 | oil felt |
| 17 | 8117 | 323-600-057 | screw |
| 18 | 208448 | 323-639-034 | Thread lubricator |
| 19 | 208448 | 323-639-034 | Thread lubricator |
| 20 | 200138 | 323-612-200 | joint |
| 21 | 200137 | 323-604-222 | joint screw |
| 22 | 200138 | 323-612-200 | joint |
| 23 | 200138 | 323-612-200 | joint |
| 24 | 204270 | 323-683-008 | oil felt |
| 25 | 204885 | 323-683-008 | oil felt |

ACCESSORIES FOR SEMI-SUBMERGED INSTALLATION

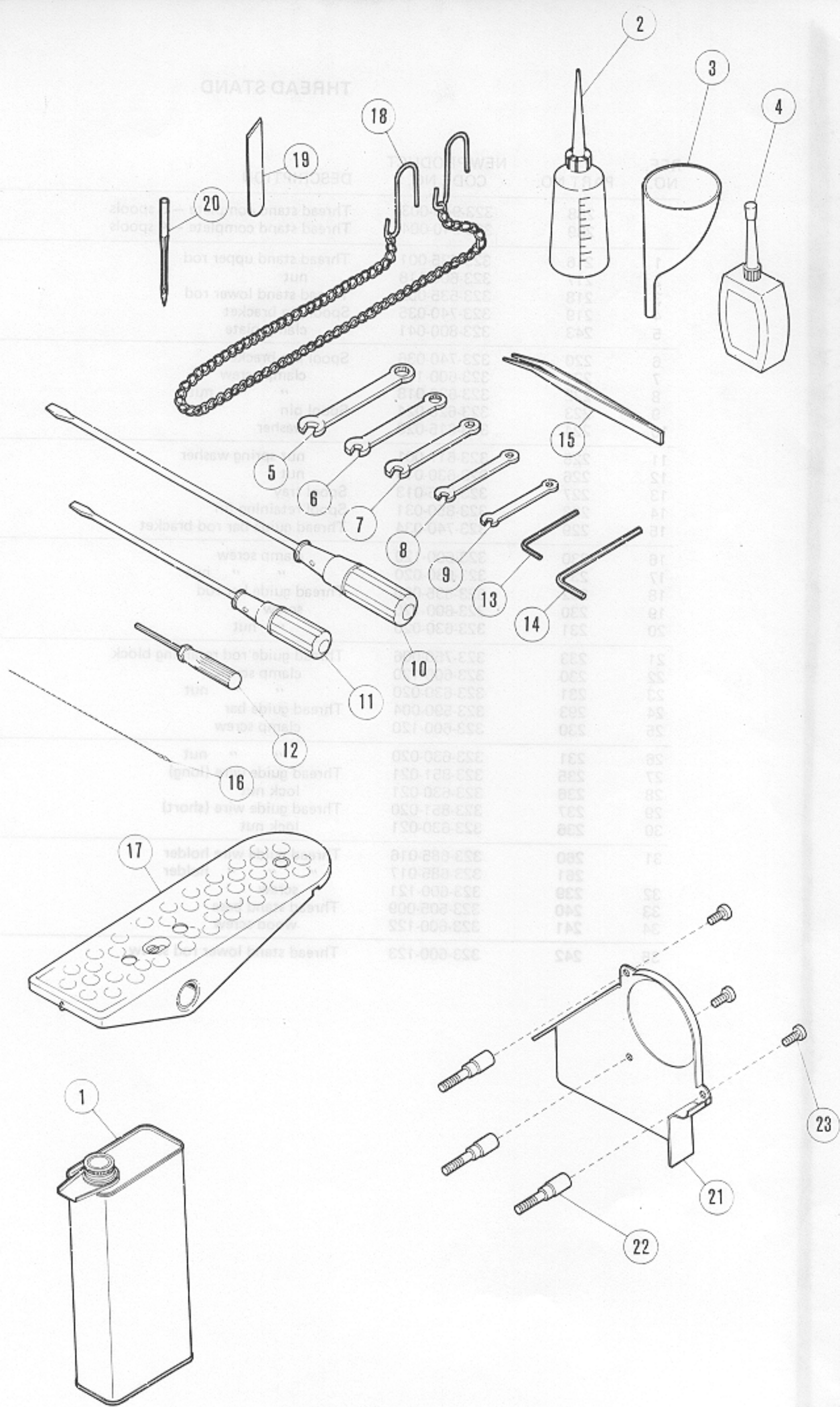
| REF. NO. | PART NO. | NEW PRODUCT CODE NO. | DESCRIPTION | QT. |
|-------------|----------|-------------------------|--------------------|-----|
| 1 | 205466 | 323-945-001 | Machine rest board | 1 |
| 2 | 205473 | 323-945-014 | cushion rubber | 4 |
| 3 | 206336 | 325-630-004 | hanger bolt nut | 4 |
| 4 | 5439 | 323-605-008 | " bolt | 4 |
| 5 | 205467 | 323-646-006 | " " spacer | 8 |
| 6 | 202769 | 323-615-219 | " " washer | 4 |
| 7 | 205470 | 323-740-062 | Waste chute top | 1 |
| 8 | 175 | 323-600-321 | screw | 3 |
| 9 | 205468 | 323-774-002 | Waste chute | 1 |
| 10 | 205469 | 323-774-003 | extension | 1 |
| 11 | 5019 | 323-600-247 | screw | 4 |

| QTY | DESCRIPTION | REF. PART NO. |
|-----|--------------------|---------------|
| 1 | Machine rest board | 302488 |
| 4 | Cushion rubber | 323 0014 |
| 4 | Ball bolt nut | 323 0004 |
| 4 | Bolt | 323 0008 |
| 8 | Spacer | 323 0008 |
| 4 | Washer | 302788 |
| 1 | Top | 323 0002 |
| 3 | Screw | 323 0002 |
| 1 | Washer | 323 0002 |
| 1 | Washer | 323 0003 |
| 4 | Draw | 323 0003 |
| 11 | Draw | 323 0003 |



THREAD STAND

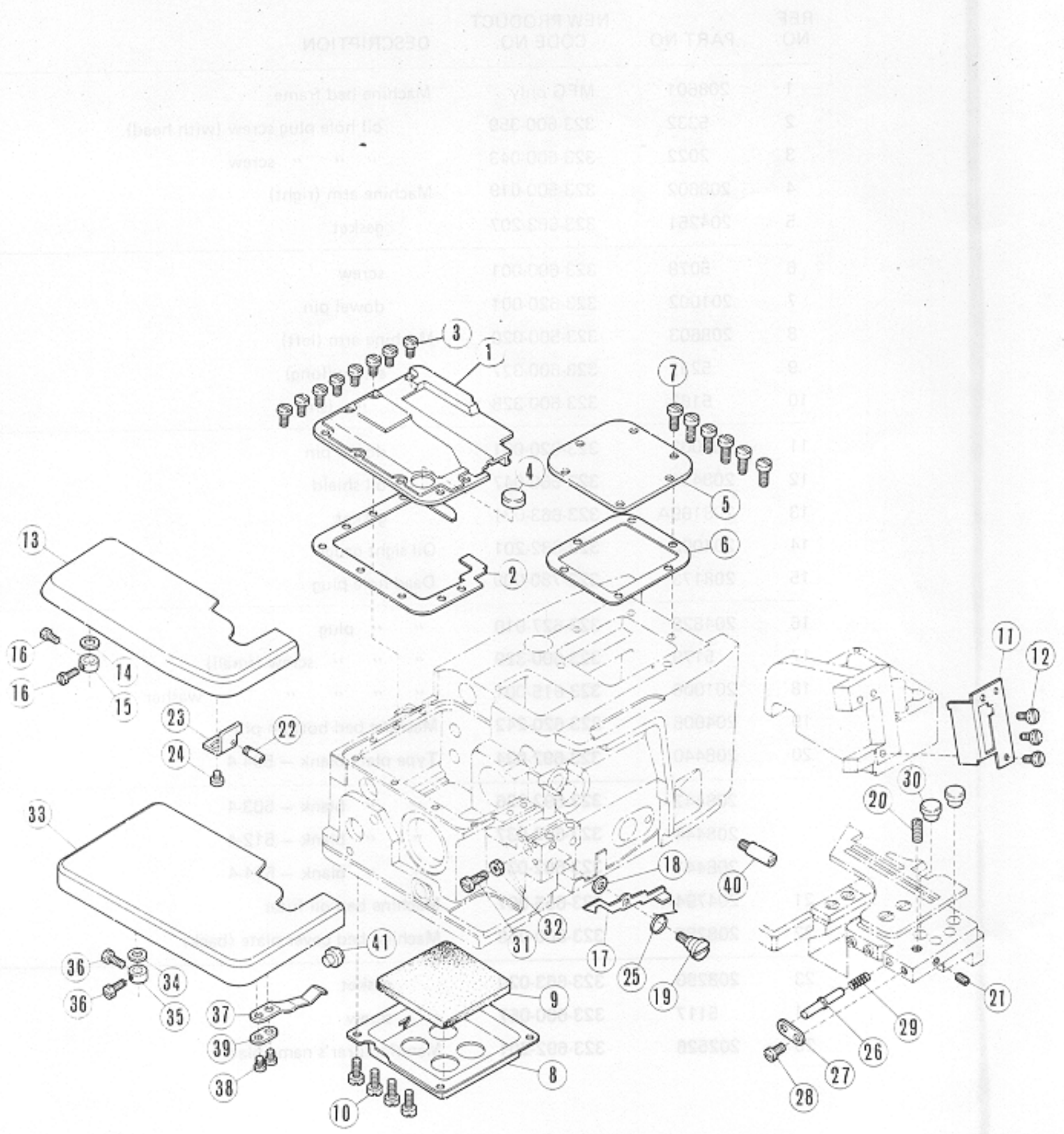
| REF. NO. | PART NO. | NEW PRODUCT CODE NO. | DESCRIPTION | QT. SPOOLS | |
|----------|----------|----------------------|----------------------------------|------------|---|
| | | | | 3 | 4 |
| | 288 | 323-940-003 | Thread stand complete - 3 spools | 1 | - |
| | 289 | 323-940-004 | Thread stand complete - 4 spools | - | 1 |
| 1 | 216 | 323-535-001 | Thread stand upper rod | 1 | 1 |
| 2 | 217 | 323-600-118 | nut | 1 | 1 |
| 3 | 218 | 323-535-002 | Thread stand lower rod | 1 | 1 |
| 4 | 219 | 323-740-035 | Spool pin bracket | 1 | - |
| 5 | 243 | 323-800-041 | clamp plate | 1 | - |
| 6 | 220 | 323-740-036 | Spool pin bracket | - | 2 |
| 7 | 221 | 323-600-119 | clamp screw | 2 | 2 |
| 8 | 222 | 323-630-018 | " " nut | 2 | 2 |
| 9 | 223 | 323-620-024 | Spool pin | 3 | 4 |
| 10 | 224 | 323-615-028 | washer | 3 | 4 |
| 11 | 225 | 323-617-001 | nut spring washer | 3 | 4 |
| 12 | 226 | 323-630-019 | nut | 3 | 4 |
| 13 | 227 | 323-685-013 | Spool tray | 3 | 4 |
| 14 | 228 | 323-850-031 | Spool retaining fin | 3 | 4 |
| 15 | 229 | 323-740-034 | Thread guide bar rod bracket | 1 | 1 |
| 16 | 230 | 323-600-120 | clamp screw | 1 | 1 |
| 17 | 231 | 323-630-020 | " " nut | 1 | 1 |
| 18 | 292 | 323-535-005 | Thread guide bar rod | 1 | 1 |
| 19 | 230 | 323-600-120 | screw | 1 | 1 |
| 20 | 231 | 323-630-020 | " nut | 1 | 1 |
| 21 | 233 | 323-750-006 | Thread guide rod retaining block | 1 | 1 |
| 22 | 230 | 323-600-120 | clamp screw | 1 | 1 |
| 23 | 231 | 323-630-020 | " " nut | 1 | 1 |
| 24 | 293 | 323-590-004 | Thread guide bar | 1 | 1 |
| 25 | 230 | 323-600-120 | clamp screw | 1 | 1 |
| 26 | 231 | 323-630-020 | " " nut | 1 | 1 |
| 27 | 235 | 323-851-021 | Thread guide wire (long) | 2 | - |
| 28 | 236 | 323-630-021 | lock nut | 2 | - |
| 29 | 237 | 323-851-020 | Thread guide wire (short) | 1 | 4 |
| 30 | 236 | 323-630-021 | lock nut | 1 | 4 |
| 31 | 260 | 323-685-016 | Thread guide wire holder | 1 | - |
| | 261 | 323-685-017 | " " " holder | - | 1 |
| 32 | 239 | 323-600-121 | screw | 1 | 1 |
| 33 | 240 | 323-505-009 | Thread stand base | 1 | 1 |
| 34 | 241 | 323-600-122 | wood screw | 3 | 3 |
| 35 | 242 | 323-600-123 | Thread stand lower rod screw | 2 | 2 |



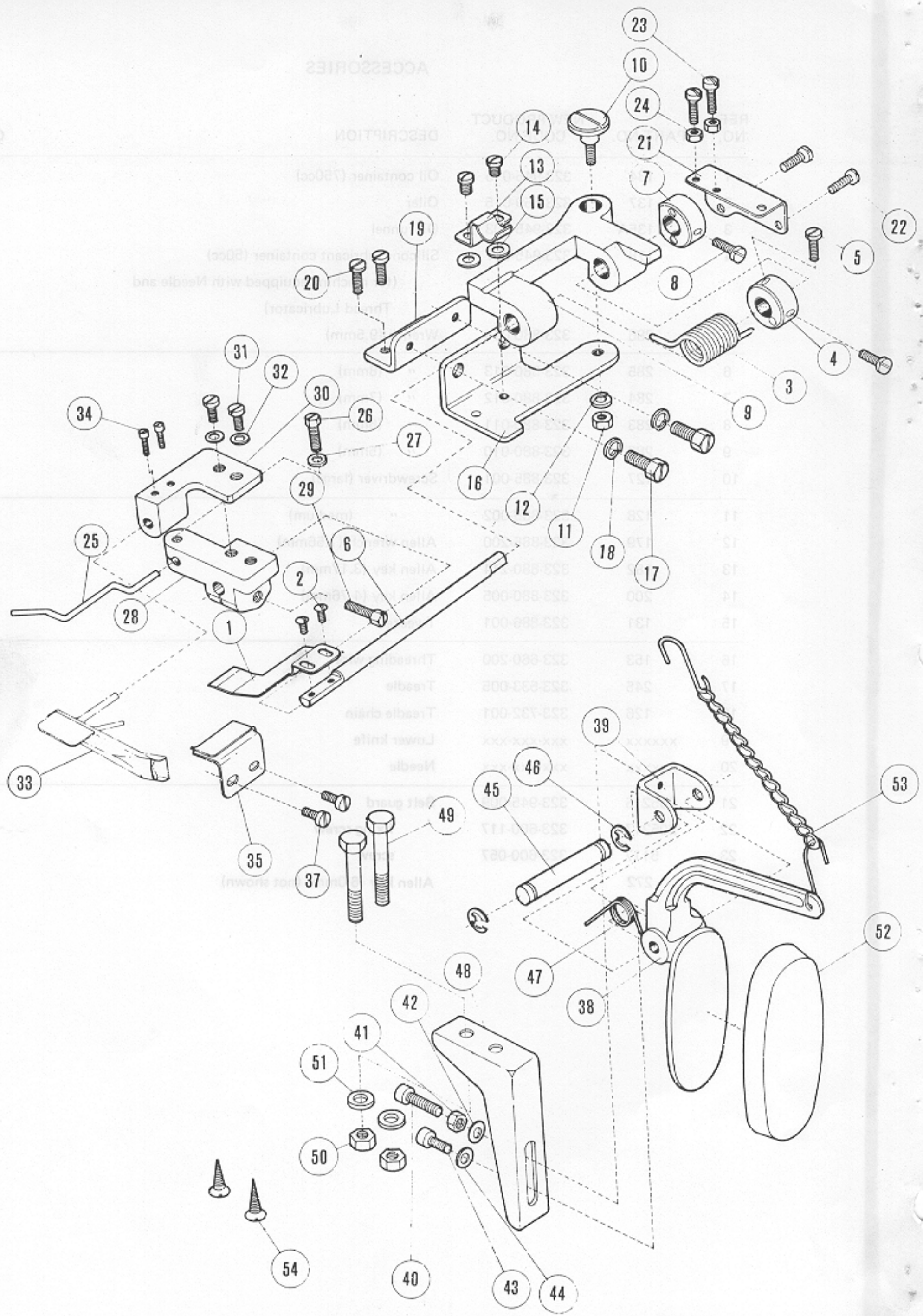
ACCESSORIES

| REF. NO. | PART NO. | NEW PRODUCT CODE NO. | DESCRIPTION | QT. |
|----------|----------|----------------------|--|-----|
| 1 | 134 | 323-945-015 | Oil container (750cc) | 1 |
| 2 | 137 | 323-659-015 | Oiler | 1 |
| 3 | 135A | 323-945-003 | Oil funnel | 1 |
| 4 | 178 | 323-945-007 | Silicone lubricant container (50cc) (for machine equipped with Needle and Thread Lubricator) | 1 |
| 5 | 286 | 323-880-014 | Wrench (9.5mm) | 1 |
| 6 | 285 | 323-880-013 | " (8mm) | 1 |
| 7 | 284 | 323-880-012 | " (7mm) | 1 |
| 8 | 283 | 323-880-011 | " (6mm) | 1 |
| 9 | 282 | 323-880-010 | " (5mm) | 1 |
| 10 | 127 | 323-885-001 | Screwdriver (large) | 1 |
| 11 | 128 | 323-885-002 | " (medium) | 1 |
| 12 | 179 | 323-885-200 | Allen wrench (1.56mm) | 1 |
| 13 | 182 | 323-880-214 | Allen key (3.17mm) | 1 |
| 14 | 200 | 323-880-005 | Allen key (4.76mm) | 1 |
| 15 | 131 | 323-886-001 | Tweezers | 1 |
| 16 | 153 | 323-660-200 | Threading wire | 1 |
| 17 | 245 | 323-533-005 | Treadle | 1 |
| 18 | 126 | 323-732-001 | Treadle chain | 1 |
| 19 | xxxxxx | xxx-xxx-xxx | Lower knife | 2 |
| 20 | xxxxxx | xxx-xxx-xxx | Needle | 10 |
| 21 | 205216 | 323-945-009 | Belt guard | 1 |
| 22 | 205217 | 323-600-117 | fixing screw | 3 |
| 23 | 5117 | 323-600-057 | screw | 3 |
| | 272 | | Allen key (6.0mm) (not shown) | 1 |

MACHINE BED FRAME

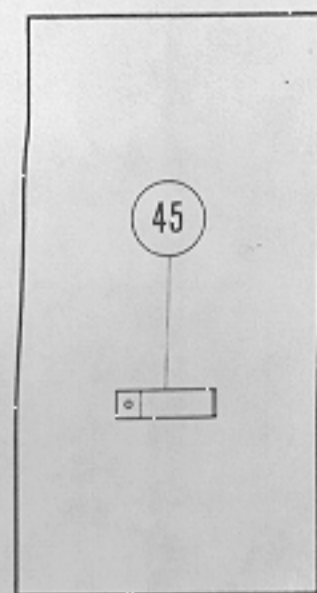
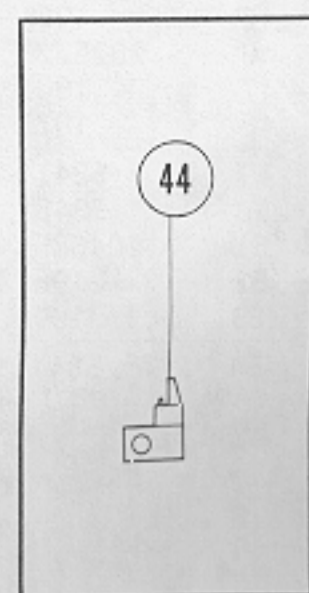
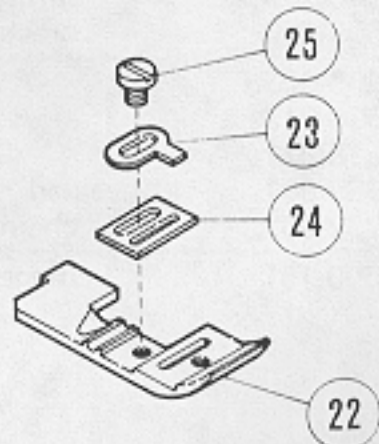
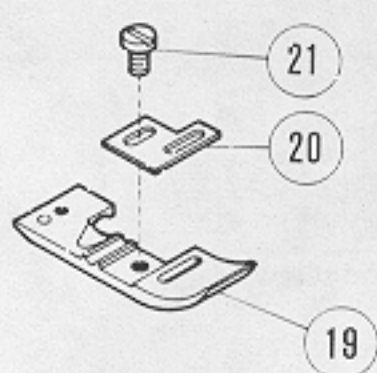
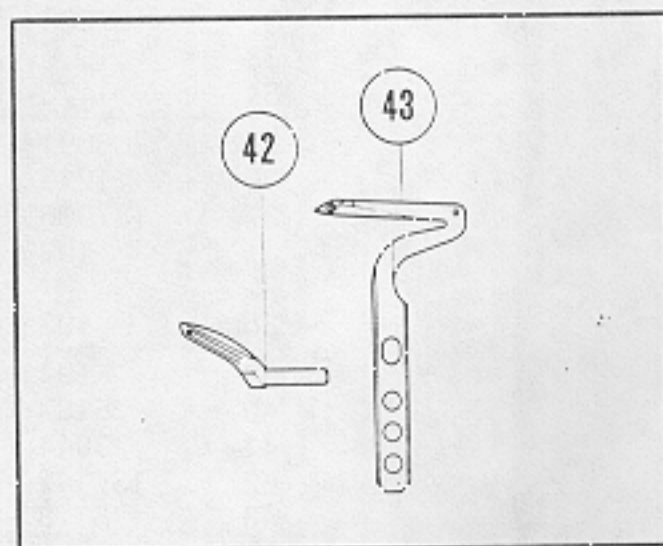
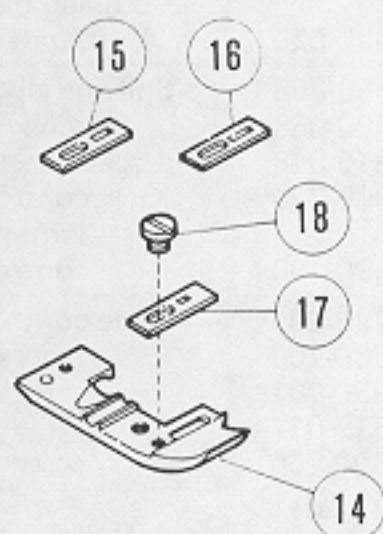
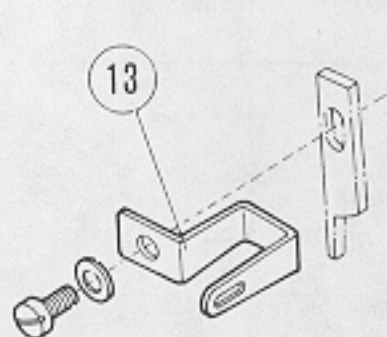
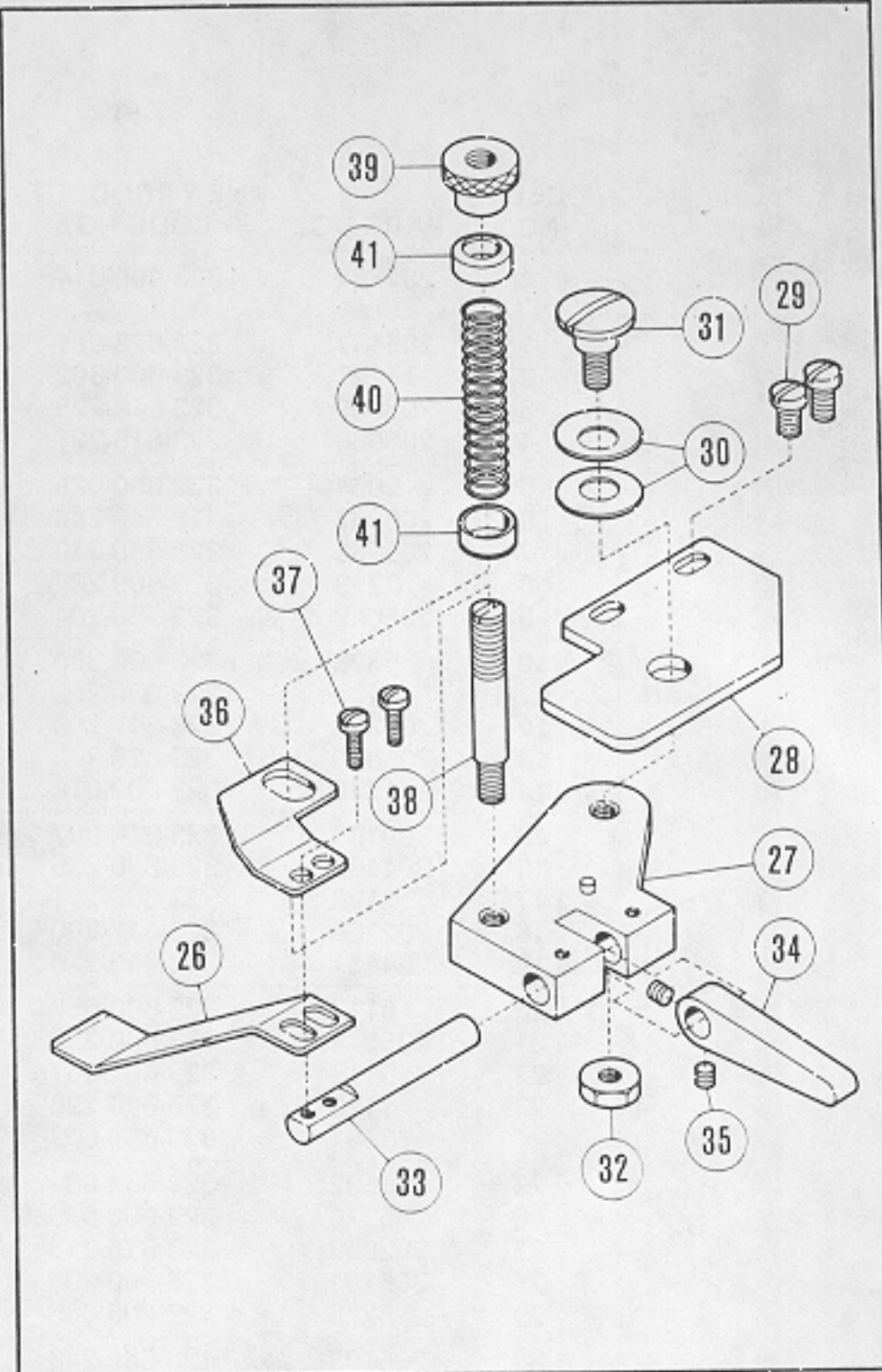
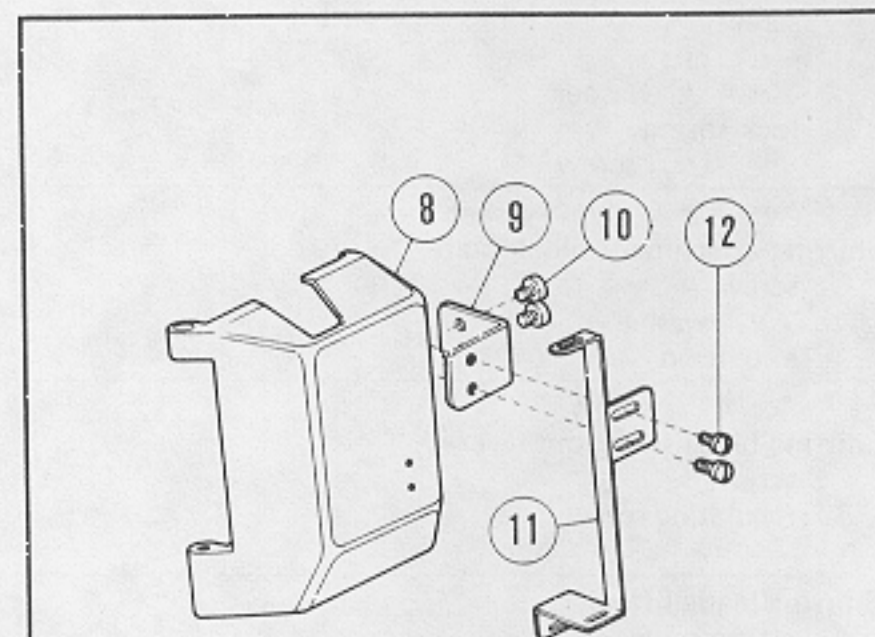
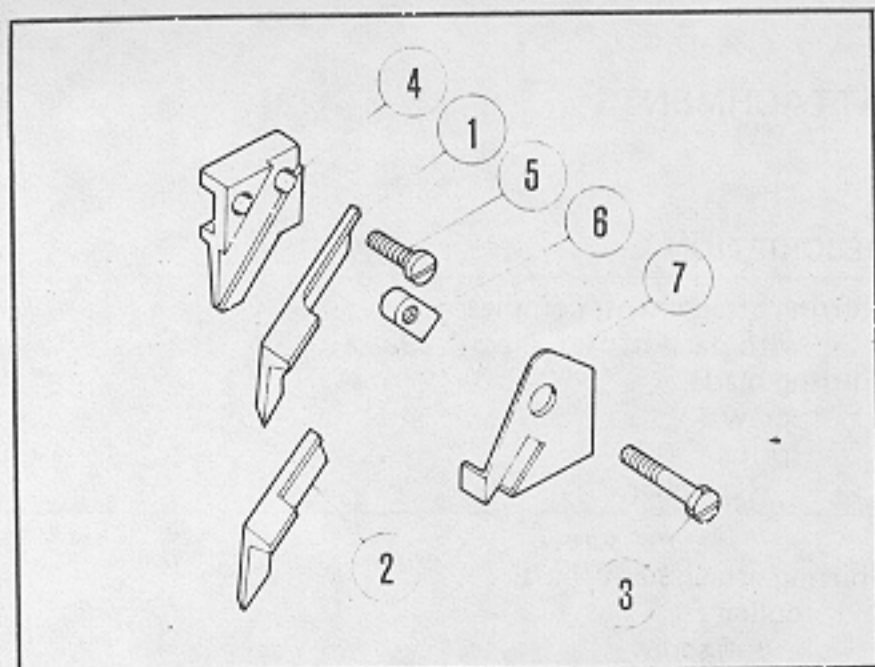


| REF. NO. | PART NO. | NEW PRODUCT CODE NO. | DESCRIPTION |
|----------|----------|----------------------|----------------------------------|
| 1 | 208601 | MFG only | Machine bed frame |
| 2 | 2022 | 323 600 328 | 5/16 inch stud screw (with head) |
| 3 | 2022 | 323 600 043 | " " " " " " " " |
| 4 | 208602 | 323 600 018 | Machine arm (right) |
| 5 | 204281 | 323 602 207 | Panel |
| 6 | 8078 | 323 607 001 | screw |
| 7 | 20102 | 323 620 007 | down pin |
| 8 | 208603 | 323 600 022 | Machine arm (left) |
| 9 | 208604 | 323 600 023 | " " " " " " " " |
| 10 | 208605 | 323 600 024 | " " " " " " " " |
| 11 | 208606 | 323 600 025 | " " " " " " " " |
| 12 | 208607 | 323 600 026 | " " " " " " " " |
| 13 | 208608 | 323 600 027 | " " " " " " " " |
| 14 | 208609 | 323 600 028 | " " " " " " " " |
| 15 | 208610 | 323 600 029 | " " " " " " " " |
| 16 | 208611 | 323 600 030 | " " " " " " " " |
| 17 | 208612 | 323 600 031 | " " " " " " " " |
| 18 | 208613 | 323 600 032 | " " " " " " " " |
| 19 | 208614 | 323 600 033 | " " " " " " " " |
| 20 | 208615 | 323 600 034 | " " " " " " " " |
| 21 | 208616 | 323 600 035 | " " " " " " " " |
| 22 | 208617 | 323 600 036 | " " " " " " " " |
| 23 | 208618 | 323 600 037 | " " " " " " " " |
| 24 | 208619 | 323 600 038 | " " " " " " " " |
| 25 | 208620 | 323 600 039 | " " " " " " " " |
| 26 | 208621 | 323 600 040 | " " " " " " " " |
| 27 | 208622 | 323 600 041 | " " " " " " " " |
| 28 | 208623 | 323 600 042 | " " " " " " " " |
| 29 | 208624 | 323 600 043 | " " " " " " " " |
| 30 | 208625 | 323 600 044 | " " " " " " " " |
| 31 | 208626 | 323 600 045 | " " " " " " " " |
| 32 | 208627 | 323 600 046 | " " " " " " " " |
| 33 | 208628 | 323 600 047 | " " " " " " " " |
| 34 | 208629 | 323 600 048 | " " " " " " " " |
| 35 | 208630 | 323 600 049 | " " " " " " " " |
| 36 | 208631 | 323 600 050 | " " " " " " " " |
| 37 | 208632 | 323 600 051 | " " " " " " " " |
| 38 | 208633 | 323 600 052 | " " " " " " " " |
| 39 | 208634 | 323 600 053 | " " " " " " " " |
| 40 | 208635 | 323 600 054 | " " " " " " " " |
| 41 | 208636 | 323 600 055 | " " " " " " " " |



ATTACHMENTS

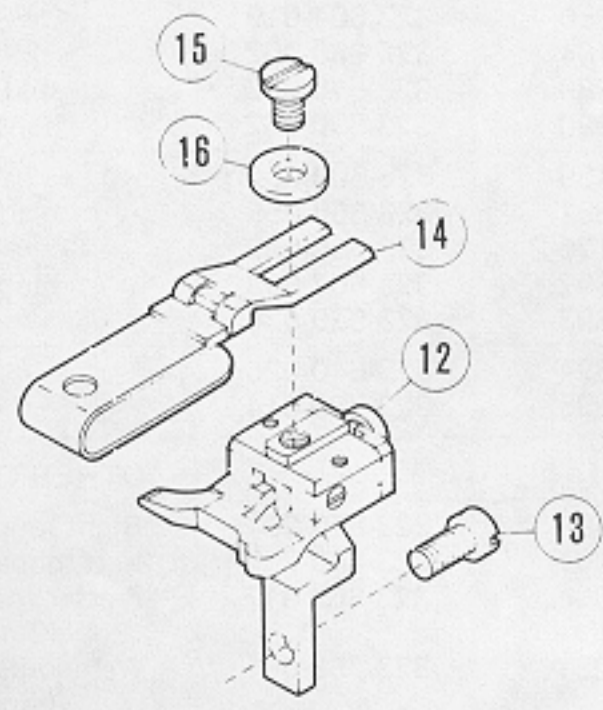
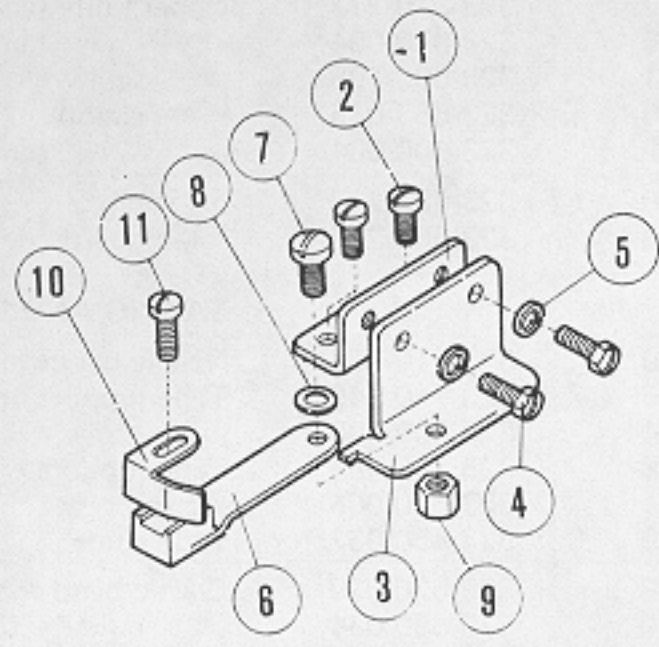
| REF. NO. | PART NO. | NEW PRODUCT CODE NO. | DESCRIPTION | QT. |
|----------|----------|----------------------|--|-----|
| | 204882 | 323-900-014 | Shirring attachment, complete with parts of Ref. Nos. 1-29 | 1 |
| 1 | 205137 | 323-875-001 | Shirring blade | 1 |
| 2 | 5227 | 323-600-302 | screw | 2 |
| 3 | 205065 | 323-640-225 | spring | 1 |
| 4 | 205066 | 323-615-227 | " collar | 1 |
| 5 | 5064 | 323-600-025 | " " screw | 2 |
| 6 | 205067 | 323-540-246 | Shirring attachment shaft | 1 |
| 7 | 205068 | 323-680-210 | collar | 1 |
| 8 | 2213 | 323-600-237 | " screw | 1 |
| 9 | 205069 | 323-750-204 | Shirring attachment block | 1 |
| 10 | 5326 | 323-600-350 | screw | 1 |
| 11 | 5137 | 323-630-202 | " nut | 1 |
| 12 | 202286 | 323-617-200 | " " washer | 1 |
| 13 | 205070 | 323-625-203 | lock spring | 1 |
| 14 | 1229 | 323-600-016 | " " screw | 2 |
| 15 | 200183 | 323-618-007 | " " " washer | 2 |
| 16 | 204495 | 323-800-235 | Shirring attachment block plate | 1 |
| 17 | 2193 | 323-600-271 | screw | 2 |
| 18 | 202286 | 323-617-200 | " washer | 2 |
| 19 | 204451 | 323-740-229 | extension | 1 |
| 20 | 5117 | 323-600-057 | " screw | 2 |
| 21 | 205072 | 323-530-232 | Shirring blade swing-out lever | 1 |
| 22 | 5117 | 323-600-057 | screw | 2 |
| 23 | 1170 | 323-600-226 | regulating screw | 2 |
| 24 | 3091 | 323-630-003 | " " nut | 2 |
| 25 | 204592 | 323-534-001 | Shirring blade lifter | 1 |
| 26 | 5276 | 323-600-088 | clamp screw | 1 |
| 27 | 202058 | 323-615-213 | " " washer | 1 |
| 28 | 205104 | 323-750-205 | block | 1 |
| 29 | 5276 | 323-600-088 | " clamp screw | 1 |
| 30 | 205103 | 323-685-243 | Cord and piping attachment block | 1 |
| 31 | 1175-3 | 323-600-019 | screw | 2 |
| 32 | 167066 | 323-615-211 | " washer | 2 |
| 33 | | | Cord and piping attachment (binder) | 1 |
| 34 | 1170-1 | 323-600-020 | screw | 2 |
| 35 | 205091 | 323-850-258 | Shirring cloth guide | 1 |
| 36 | 1216 | 323-600-068 | screw | 2 |
| 37 | 137906 | 323-615-018 | " washer | 2 |
| | 192 | 323-900-224 | Knee controller, complete with parts of Ref. Nos. 38-53 | 1 |
| 38 | 193 | 323-530-100 | Knee controller | 1 |
| 39 | 194 | 323-728-004 | Knee controller hinge | 1 |
| 40 | 5183 | 323-600-100 | regulating screw | 1 |
| 41 | 3044 | 323-630-001 | " " nut | 1 |
| 42 | 137142 | 323-615-017 | " " " washer | 1 |
| 43 | 5118 | 323-600-060 | screw | 1 |
| 44 | 137142 | 323-615-017 | " washer | 1 |
| 45 | 195 | 323-620-100 | pin | 1 |
| 46 | 202522 | 323-634-200 | " stop ring | 2 |
| 47 | 196 | 323-640-100 | spring | 1 |
| 48 | 197 | 323-505-100 | bracket | 1 |
| 49 | 5347 | 323-605-003 | " screw | 2 |
| 50 | 5348 | 323-630-013 | " " nut | 2 |
| 51 | 204585 | 323-615-021 | " " " washer | 2 |
| 52 | 198 | 323-665-001 | Knee pad | 1 |
| 53 | 199 | 323-732-002 | chain | 1 |
| 54 | 5341 | 323-600-101 | hinge bracket wood screw | 2 |



OPTIONAL PARTS

| REF. NO. | PART NO. | NEW PRODUCT CODE NO. | DESCRIPTION | QT. |
|---|----------|-------------------------|--|-----|
| UPPER KNIFE (ANGLED) | | | | |
| 1 | 204152 | 323-870-217 | Upper knife (angled) | 1 |
| 2 | 204835 | 323-870-004 | " " (angled) - carbide tipped | 1 |
| 3 | 5371 | 323-600-108 | screw | 1 |
| 4 | 204830 | 323-683-015 | clamp | 1 |
| 5 | 5142 | 323-600-054 | " screw | 1 |
| 6 | 204155 | 323-683-213 | gib | 1 |
| 7 | 204156 | 323-560-225 | guard | 1 |
| TAPING AND ELASTIC BAND FOOT | | | | |
| 8 | 204950 | 323-510-036 | Needle bar cover | 1 |
| 9 | 205335 | 323-740-040 | Tape support bracket | 1 |
| 10 | 1234 | 323-600-006 | screw | 2 |
| 11 | 205318 | 323-756-004 | Tape support | 1 |
| 12 | 1234 | 323-600-006 | screw | 2 |
| 13 | 205319 | 323-850-032 | Tape guide | 1 |
| 14 | 205328 | 323-820-029 | Elastic band foot | 1 |
| 15 | 205330 | 323-850-034 | guide - for 2.7mm band width only | 1 |
| 16 | 205331 | 323-850-035 | guide - for 4.4mm band width only | 1 |
| 17 | 205332 | 323-850-036 | guide - for 5.0mm band width only | 1 |
| 18 | 5077 | 323-600-307 | guide screw | 1 |
| 19 | 205329 | 323-820-030 | Taping foot - for 9.0mm band width only | 1 |
| 20 | 205333 | 323-580-037 | guide | 1 |
| 21 | 5366 | 323-600-124 | " screw | 1 |
| 22 | 205314 | 323-820-028 | Taping foot - for tape up to 10mm tape width | 1 |
| 23 | 205315 | 323-850-033 | guide | 1 |
| 24 | 205316 | 323-740-039 | " bracket | 1 |
| 25 | 2921 | 323-600-026 | " " screw | 1 |
| SHIRRING ATTACHMENT - PLAIN TYPE | | | | |
| | 204898 | 323-900-053 | Shirring attachment, complete with parts of Ref. Nos. 26-41 | 1 |
| 26 | 204966 | 323-875-003 | blade | 1 |
| 27 | 204886 | 323-750-010 | block | 1 |
| 28 | 204887 | 323-740-061 | " bracket | 1 |
| 29 | 5117 | 323-600-057 | " " screw | 2 |
| 30 | 204888 | 323-618-019 | " " stud washer | 2 |
| 31 | 5380 | 323-604-019 | " " stud | 1 |
| 32 | 5104 | 325-630-002 | " " " nut | 1 |
| 33 | 204889 | 323-540-032 | shaft | 1 |
| 34 | 204890 | 323-530-032 | hand lift lever | 1 |
| 35 | 1459 | 323-600-034 | " " " screw | 2 |
| 36 | 204891 | 323-850-056 | blade guide | 1 |
| 37 | 1175-2 | 323-600-002 | " " screw | 2 |
| 38 | 204892 | 323-607-003 | block post | 1 |
| 39 | 204893 | 323-630-034 | " " thumb nut | 1 |
| 40 | 204894 | 323-640-026 | " " spring | 1 |
| 41 | 204895 | 323-780-014 | " " " cup | 2 |
| OTHER OPTIONAL PARTS AVAILABLE | | | | |
| 42 | 204990 | 323-810-231 | Right looper, for woolen yarn | 1 |
| 43 | 204991 | 323-810-232 | Left looper, for woolen yarn | 1 |
| 44 | 204906 | 323-863-017 | Presser foot chaining-off finger (2-needle machines for knits) | 1 |
| 45 | 202281 | 323-758-004 | Welt guide extension (especially designed for wetting tricot fabrics) | 1 |

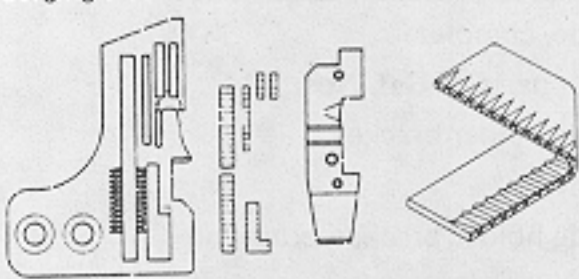
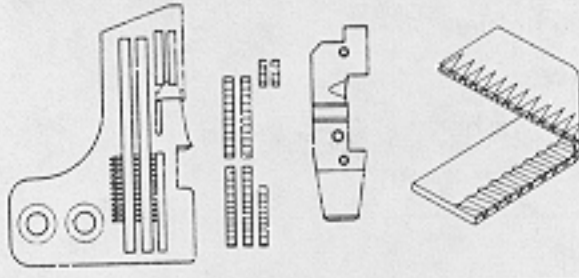
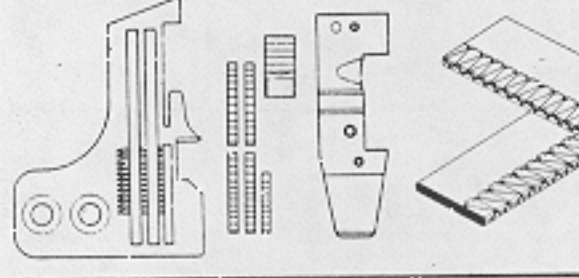
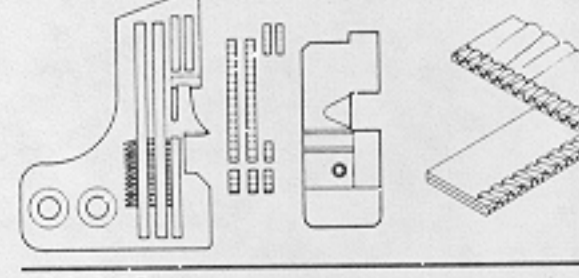
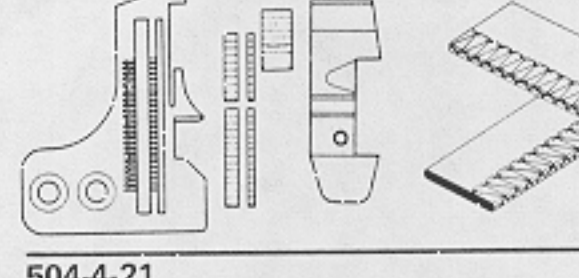
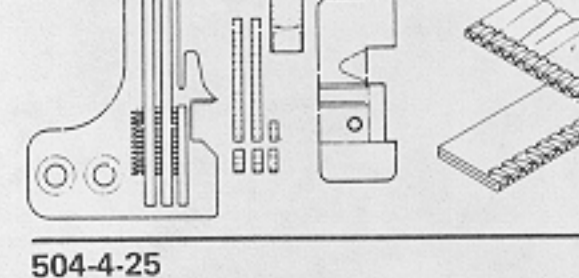
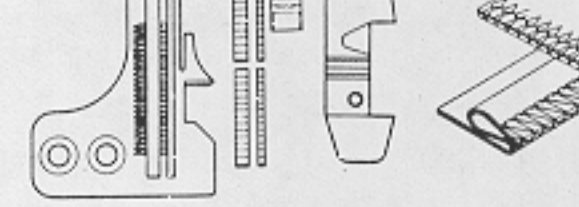
OPTIONAL PART



OPTIONAL PARTS

| REF. NO. | PART NO. | NEW PRODUCT CODE NO. | DESCRIPTION | QT. |
|----------|----------|----------------------|--|-----|
| | 204896 | 323-850-028 | Edge guide, complete with parts of Ref. Nos. 1-11 | 1 |
| 1 | 204451 | 323-740-229 | Edge guide holder bracket | 1 |
| 2 | 5117 | 323-600-057 | screw | 2 |
| 3 | 204452 | 323-740-228 | Edge guide holder bracket extension | 1 |
| 4 | 2193 | 323-600-271 | screw | 2 |
| 5 | 202286 | 323-617-200 | " washer | 2 |
| 6 | 201485 | 323-740-012 | Edge guide holder | 1 |
| 7 | 5184 | 323-600-079 | screw | 1 |
| 8 | 201191 | 323-615-015 | " washer | 1 |
| 9 | 3044 | 323-630-001 | " " nut | 1 |
| 10 | 204667 | 323-850-022 | Edge guide | 1 |
| 11 | 1202 | 323-600-032 | screw | 1 |
| 12 | 204760A | 323-505-016 | Welt guide holder | 1 |
| 13 | 1175-2 | 323-600-002 | screw | 1 |
| 14 | 201211A | 323-400-001 | Welt guide | 1 |
| 15 | 2905 | 323-600-074 | screw | 1 |
| 16 | 201185 | 323-615-012 | " washer | 1 |

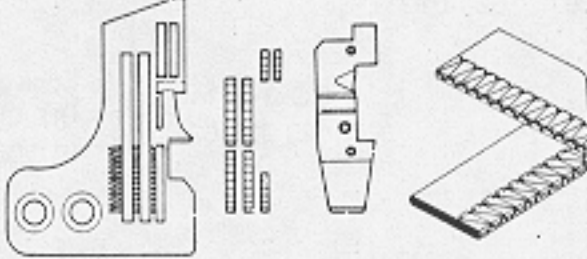
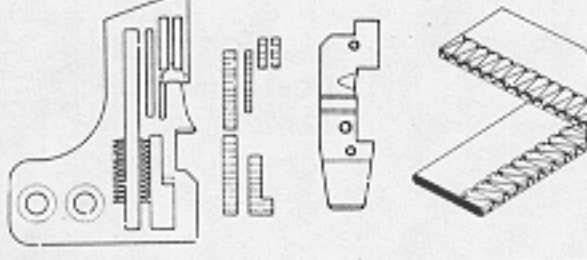
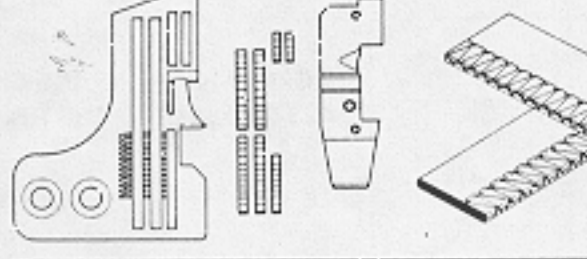
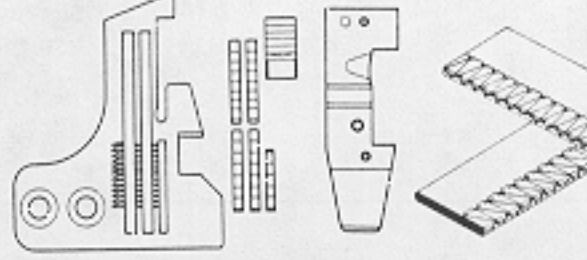
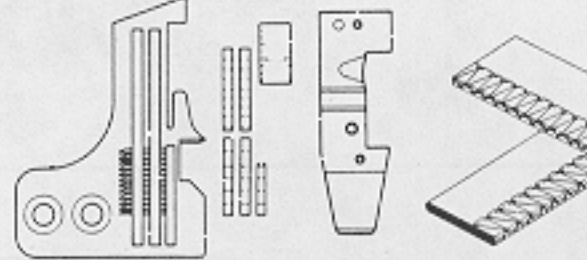
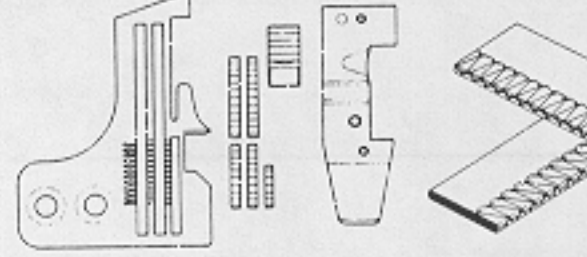
LIST OF ORGANIZATION PARTS

| Machine model | Gauge (mm) (inch) | Needle plate | Feed dogs | | | Right looper # = mark stamped | Lower knife |
|---|-------------------------|--------------------|--------------------|-------------------|-------------------|-------------------------------------|-------------------------|
| | | | main | aux. | diff. | | |
| 503-4-44 Serging trousers.  | 3mm 1/8" | 205320 801-062 | 208336 830-134 | 208338 830-136 | 204907 830-060 | 204704 810-011 | #3 202295 870-210 |
| | 4mm | 205321 | " | " | " | " | " |
| | 5/32" | 801-063 | " | " | " | " | " |
| | 5mm | 205322 | " | " | " | " | " |
| | 3/16" | 801-064 | " | " | " | " | " |
| | 6mm 1/4" | 205323 801-065 | " | " | " | " | " |
| 503-4-48 Serging trousers.  | 3mm 1/8" | 205324 801-066 | 208337 830-135 | " | 204690 830-057 | " | 201127 870-211 |
| | 4mm | 205325 | " | " | " | " | " |
| | 5/32" | 801-067 | " | " | " | " | " |
| | 5mm | 205326 | " | " | " | " | 202295 |
| | 3/16" | 801-068 | " | " | " | " | 870-210 |
| | 6mm 1/4" | 205327 801-069 | " | " | " | " | " |
| 504-4-7 Plain seaming for underwear.  | 3mm 1/8" | 202542E 801-026 | 204675A 830-096 | 204674 830-054 | 204676 830-033 | 204062 810-218 | #2 201127 870-211 |
| | 4mm | 202546E | " | " | " | " | " |
| | 5/32" | 801-027 | " | " | " | " | " |
| | 5mm | 202596E | " | " | " | " | 202295 |
| | 3/16" | 801-028 | " | " | " | " | 870-210 |
| | 6mm 1/4" | 202597E 801-029 | " | " | " | " | " |
| 504-4-17 Intermittent shirring.  | 3mm 1/8" | 205239 801-360 | 204723A 830-108 | 204677 830-037 | 204724 830-036 | 204702 810-009 | #4 201127 870-211 |
| | 4mm | 205240 | " | " | " | " | " |
| | 5/32" | 801-361 | " | " | " | " | " |
| | 5mm | 205241 | " | " | " | " | 202295 |
| | 3/16" | 801-362 | " | " | " | " | 870-210 |
| | 6mm 1/4" | 205242 801-363 | " | " | " | " | " |
| 504-4-19 Seaming light knit goods.  | 2mm 5/64" | 202616 801-038 | 204729A 830-103 | 204674 830-054 | 204730 830-059 | 204062 810-218 | #2 201127 870-211 |
| | 3mm | 202617 | " | " | " | " | " |
| | 1/8" | 801-039 | " | " | " | " | " |
| | 4mm | 202618 | " | " | " | " | " |
| | 5/32" | 801-222 | " | " | " | " | " |
| | 5mm 3/16" | 204913 801-045 | " | " | " | " | " |
| 504-4-21 Intermittent shirring.  | 3mm 1/8" | 202542E 801-026 | 204723A 830-108 | " | 204724 830-036 | " | 201127 870-211 |
| | 4mm | 202546E | " | " | " | " | " |
| | 5/32" | 801-027 | " | " | " | " | " |
| | 5mm | 202596E | " | " | " | " | 202295 |
| | 3/16" | 801-028 | " | " | " | " | 870-210 |
| | 6mm 1/4" | 202597E 801-029 | " | " | " | " | " |
| 504-4-25 Hemming and welting light knits.  | 2mm 5/64" | 202616 801-038 | 204729A 830-103 | " | 204730 830-059 | " | 201127 870-211 |
| | 3mm | 202617 | " | " | " | " | " |
| | 1/8" | 801-039 | " | " | " | " | " |
| | 4mm | 202618 | " | " | " | " | " |
| | 5/32" | 801-222 | " | " | " | " | " |
| | 5mm 3/16" | 204913 801-045 | " | " | " | " | " |

Note: All product code numbers begin with prefix 323-

| Presser foot | | | | Needle bar complete | Needle guard | | Needle factory set | Attachment on machine (available by option) |
|--------------------|-------------------------|--------------------|--------------------|---------------------------|-------------------|-------------------|--------------------------|--|
| body | chaining- off finger | fabric guard | uncurler | | front | rear | | |
| 202799 820-286 | 201224B 863-007 | 201265B 854-200 | 205342A 560-041 | 204623 591-003 | 204634 561-009 | 204635 561-010 | | |
| " | " | " | " | " | " | " | DCx1 #14 423-223-631 | Edge guide (KS Chain Cutter) (BT Backtacker) |
| " | " | " | " | " | " | " | | |
| " | " | " | " | " | " | " | | |
| " | " | " | " | " | " | " | DCx1 #14 423-223-631 | Edge guide (KS Chain Cutter) (BT Backtacker) |
| " | " | " | " | " | " | " | | |
| " | " | " | " | " | " | " | | |
| 201230C 820-019 | " | " | 204668 560-020 | " | " | " | | |
| " | " | " | " | " | " | " | DCx1 #11 423-222-831 | (KS Chain Cutter) (BT Backtacker) |
| " | " | " | " | " | " | " | | |
| " | " | " | " | " | " | " | | |
| 205135 820-013 | --- | --- | --- | " | " | " | | |
| " | --- | --- | --- | " | " | " | DCx27 #14 423-243-631 | Shirring attachment (KS Chain Cutter) |
| 205136 820-014 | --- | --- | --- | " | " | " | | |
| " | --- | --- | --- | " | " | " | | |
| 201473B 820-022 | 201224B 863-007 | --- | 205342A 560-041 | " | " | " | | |
| " | " | --- | " | " | " | " | DCx1 #9 423-222-631 | (KS Chain Cutter) (BT Backtacker) |
| " | " | --- | " | " | " | " | | |
| " | " | --- | " | " | " | " | | |
| 205135 820-013 | --- | --- | " | " | " | " | | |
| " | --- | --- | " | " | " | " | DCx1 #11 423-222-831 | Shirring attachment (KS Chain Cutter) |
| 205136 820-014 | --- | --- | " | " | " | " | | |
| " | --- | --- | " | " | " | " | | |
| 201152E 820-021 | 201155C 863-217 | --- | " | " | " | " | | |
| " | " | --- | " | " | " | " | DCx1 #9 423-222-631 | Welt guide (KS Chain Cutter) |
| " | " | --- | " | " | " | " | | |
| " | " | --- | " | " | " | " | | |

LIST OF ORGANIZATION PARTS

| Machine model | Gauge (mm) (inch) | Needle plate | Feed dogs | | | Right looper # = mark stamped | Lower knife |
|--|-------------------------|--------------------|--------------------|-------------------|-------------------|-------------------------------------|-------------------|
| | | | main | aux. | diff. | | |
| 504-4-43 Plain seaming on light knits.  | 3mm 1/8" | 205235 801-340 | 204721A 830-097 | 204677 830-037 | 204722 830-035 | 204702 810-009 #4 | 201127 870-211 |
| | 4mm 5/32" | 205236 801-341 | " | " | " | " | " |
| | 5mm 3/16" | 205237 801-342 | " | " | " | " | 202295 870-210 |
| | 6mm 1/4" | 205238 801-343 | " | " | " | " | " |
| | | | | | | | |
| 504-4-45 Plain seaming medium heavy knits.  | 3mm 1/8" | 205231 801-344 | 204692A 830-093 | " | 204693 830-034 | " | 201127 870-211 |
| | 4mm 5/32" | 205232 801-345 | " | " | " | " | " |
| | 5mm 3/16" | 205233 801-346 | " | " | " | " | 202295 870-210 |
| | 6mm 1/4" | 205234 801-347 | " | " | " | " | " |
| | | | | | | | |
| 504-4-47 Seaming woven and knits.  | 3mm 1/8" | 205239 801-360 | 204675A 830-096 | " | 204676 830-033 | " | 201127 870-211 |
| | 4mm 5/32" | 205240 801-361 | " | " | " | " | " |
| | 5mm 3/16" | 205241 801-362 | " | " | " | " | 202295 870-210 |
| | 6mm 1/4" | 205242 801-363 | " | " | " | " | " |
| | | | | | | | |
| 504-4-65 Seaming for jeans.  | 3mm 1/8" | 202542E 801-026 | 204678A 830-094 | 204674 830-054 | 204679 830-056 | 204703 810-110 #6 | 201127 870-211 |
| | 4mm 5/32" | 202546E 801-027 | " | " | " | " | " |
| | 5mm 3/16" | 202596E 801-028 | " | " | " | " | 202295 870-210 |
| | 6mm 1/4" | 202597E 801-029 | " | " | " | " | " |
| | 7mm 9/32" | 204797 801-042 | " | " | " | " | " |
| | 8mm 5/16" | 204731 801-041 | " | " | " | " | " |
| | | | | | | | |
| 504-4-66 Seaming bulky knitwear.  | 3mm 1/8" | 202542E 801-026 | " | " | 204691 830-058 | 204702 810-009 #4 | 201127 870-211 |
| | 4mm 5/32" | 202546E 801-027 | " | " | " | " | " |
| | 5mm 3/16" | 202596E 801-028 | " | " | " | " | 202295 870-210 |
| | 6mm 1/4" | 202597E 801-029 | " | " | " | " | " |
| | | | | | | | |
| 504-4-69 Seaming knits.  | 3mm 1/8" | 202542E 801-026 | 204675A 830-096 | " | 204690 830-057 | 204062 810-218 #2 | 201127 870-211 |
| | 4mm 5/32" | 202546E 801-027 | " | " | " | " | " |
| | 5mm 3/16" | 202596E 801-028 | " | " | " | " | 202295 870-210 |
| | 6mm 1/4" | 202597E 801-029 | " | " | " | " | " |
| | | | | | | | |

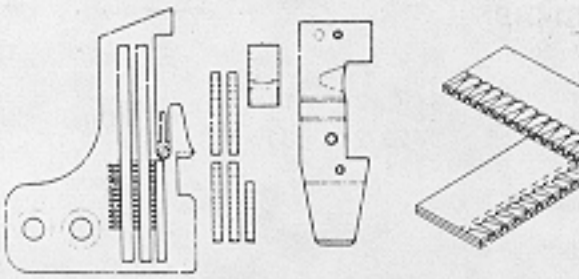
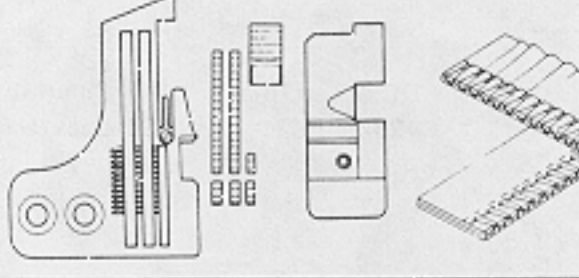
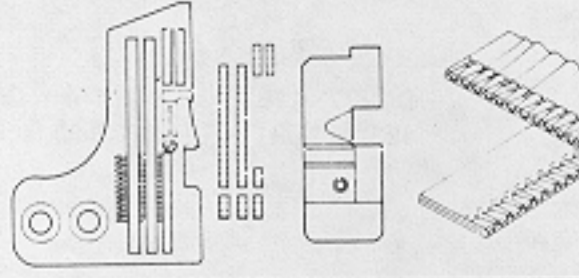
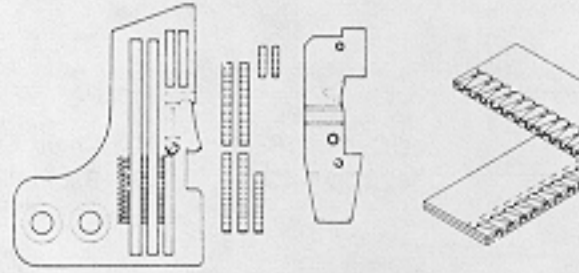
Note: All product code numbers begin with prefix 323-

| Presser foot | | chaining-off finger | fabric guard | uncurler | Needle bar complete | Needle guard | | Needle factory set | Attachment on machine (available by option) |
|--------------------|---|---------------------|--------------------|--------------------|---------------------|-------------------|-------------------|--------------------------|---|
| body | | | | | | front | rear | | |
| 205252 820-285 | | 201224B 863-007 | 201265B 854-200 | 205342A 560-041 | 204623 591-003 | 204634 561-009 | 204635 561-010 | | |
| " | " | " | " | " | " | " | " | DCx27 #14 423-243-631 | (KS Chain Cutter) |
| " | " | " | " | " | " | " | " | | |
| " | " | " | " | " | " | " | " | | |
| 202799 820-286 | | " | " | " | " | " | " | | |
| " | " | " | " | " | " | " | " | DCx27 #14 423-243-631 | (KS Chain Cutter) (BT Backtacker) |
| " | " | " | " | " | " | " | " | | |
| " | " | " | " | " | " | " | " | | |
| 205253 820-287 | | " | " | " | " | " | " | | |
| " | " | " | " | " | " | " | " | DCx27 #16 423-244-031 | (KS Chain Cutter) (BT Backtacker) |
| " | " | " | " | " | " | " | " | | |
| " | " | " | " | " | " | " | " | | |
| 201230C 820-019 | | " | " | 204668 560-020 | " | " | " | | |
| " | " | " | " | " | " | " | " | | |
| " | " | " | " | " | " | " | " | DCx1 #18 423-224-431 | (KS Chain Cutter) (BT Backtacker) |
| " | " | " | " | " | " | " | " | | |
| " | " | " | " | " | " | " | " | | |
| " | " | " | " | " | " | " | " | | |
| " | " | " | " | " | " | " | " | | |
| " | " | " | " | " | " | " | " | DCx1 #14 423-223-631 | (KS Chain Cutter) (BT Backtacker) |
| " | " | " | " | " | " | " | " | | |
| " | " | " | " | " | " | " | " | | |
| " | " | " | " | " | " | " | " | | |
| " | " | " | " | " | " | " | " | DCx1 #11 423-222-831 | (KS Chain Cutter) (BT Backtacker) |
| " | " | " | " | " | " | " | " | | |
| " | " | " | " | " | " | " | " | | |

(1) MISCELLANEOUS COVERS

| REF. NO. | PART NO. | NEW PRODUCT CODE NO. | DESCRIPTION | QT. |
|----------|----------|----------------------|--------------------------------|-----|
| 1 | 208317 | 323-800-057 | Bed plate, complete | 1 |
| 2 | 208422 | 323-663-024 | gasket | 1 |
| 3 | 4009-1 | 323-600-014 | screw | 8 |
| 4 | 204827 | 323-627-009 | Cloth plate cushion (large) | 1 |
| 5 | 208341 | 323-800-055 | Bed cover plate (right) | 1 |
| 6 | 208342 | 323-663-022 | gasket | 1 |
| 7 | 5117 | 323-600-057 | screw | 6 |
| 8 | 208347 | 323-510-078 | Machine bed bottom cover | 1 |
| 9 | 208348 | 323-655-011 | oil filter | 1 |
| 10 | 5117 | 323-600-057 | screw | 4 |
| 11 | 208430 | 323-800-061 | Face plate, complete | 1 |
| 12 | 4009-1 | 323-600-014 | screw | 3 |
| 13 | 208611 | 323-802-015 | Cloth plate (narrow), complete | 1 |
| 14 | 202576 | 323-615-201 | hinge stud thrust washer | 1 |
| 15 | 201139 | 323-680-001 | " " " collar | 1 |
| 16 | 5084 | 323-600-013 | " " " " screw | 2 |
| 17 | 204742 | 323-734-003 | latch | 1 |
| 18 | 204118 | 323-618-213 | " spacer | 1 |
| 19 | 5362 | 323-600-099 | " screw | 1 |
| 20 | 1435 | 323-600-069 | " adjust screw | 1 |
| 21 | 1459 | 323-600-034 | " " " lock screw | 1 |
| 22 | 204743 | 323-620-014 | " pin | 1 |
| 23 | 204744 | 323-740-019 | " " bracket | 1 |
| 24 | 1202 | 323-600-032 | " " " screw | 1 |
| 25 | 204745 | 323-640-007 | spring | 1 |
| 26 | 204746 | 323-620-015 | push pin | 1 |
| 27 | 204747 | 323-850-023 | " " guide | 1 |
| 28 | 5053 | 323-600-015 | " " " screw | 1 |
| 29 | 204748 | 323-640-008 | " " spring | 1 |
| 30 | 204749 | 323-627-005 | rubber plug (small) | 2 |
| 31 | 5441 | 323-600-140 | stop screw | 1 |
| 32 | 3044 | 323-630-001 | " " nut | 1 |
| 33 | 208612 | 323-802-016 | Cloth plate (wide), complete | 1 |
| 34 | 202576 | 323-615-201 | hinge stud thrust washer | 1 |
| 35 | 201139 | 323-680-001 | " " " collar | 1 |
| 36 | 5084 | 323-600-013 | " " " " screw | 2 |
| 37 | 204218 | 323-734-204 | lock spring | 1 |
| 38 | 1216 | 323-600-068 | " " screw | 2 |
| 39 | 200162A | 323-615-015 | " " " washer | 1 |
| 40 | 5232 | 323-600-314 | " " pin | 1 |
| 41 | 208482 | 323-627-018 | rubber plug (small) | 1 |

LIST OF ORGANIZATION PARTS

| Machine model | Gauge (mm) (inch) | Needle plate | Feed dogs | | | Right looper # = mark stamped | Lower knife |
|---|-------------------------|--------------------|--------------------|-------------------|-------------------|-------------------------------------|-------------------------|
| | | | main | aux. | diff. | | |
| 512-4-61 Two needle seaming for woven fabrics.  | 2x2mm 5/64x5/64" | 205255 801-047 | 204675A 830-096 | 204674 830-037 | 204676 830-033 | 204663 810-008 | #7 201127 870-211 |
| | 2x3mm 5/64x1/8" | 205255 801-047 | " | " | " | " | 202295 870-210 |
| | 2x4mm 5/64x5/32" | 202554E 801-030 | " | " | " | " | " |
| | 2x5mm 5/64x3/16" | 202499E 801-031 | " | " | " | " | " |
| | | | | | | | |
| 512-4-62 Two needle intermittent shirring.  | 2x2mm 5/64x5/64" | 205255 801-047 | 204723A 830-108 | " | 204724 830-036 | " | 201127 870-211 |
| | 2x3mm 5/64x1/8" | 205255 801-047 | " | " | " | " | 202295 870-210 |
| | 2x4mm 5/64x5/32" | 202554E 801-030 | " | " | " | " | " |
| | 2x5mm 5/64x3/16" | 202499E 801-031 | " | " | " | " | " |
| | | | | | | | |
| 512-4-63 Two needle intermittent shirring.  | 2x4mm 5/64x5/32" | 205243 801-364 | " | 204677 830-037 | " | " | " |
| | 2x5mm 5/64x3/16" | 205244 801-365 | " | " | " | " | " |
| | | | | | | | |
| 512-4-64 Two needle seaming on stretch fabrics.  | 2x4mm 5/64x5/32" | 205243 801-364 | 204675A 830-096 | " | 204676 830-033 | " | " |
| | 2x5mm 5/64x3/16" | 205244 801-365 | " | " | " | " | " |
| | | | | | | | |

REFERENCE TABLE FOR 'NEW -4' VS 'MARK/IV' MACHINE MODELS

| New -4 machine models | Mark/IV machine models |
|-----------------------|------------------------|
| 503-4-44 | 503/IV-44 |
| 503-4-48 | 503/IV-48 |
| 504-4-7 | 504/IV-7 |
| 504-4-17 | 504/IV-17 |
| 504-4-19 | 504/IV-19 |
| 504-4-21 | 504/IV-21 |
| 504-4-25 | 504/IV-25 |
| 504-4-43 | 504/IV-43 |
| 504-4-45 | 504/IV-45 |
| 504-4-47 | 504/IV-47 |
| 504-4-65 | 504/IV-S-10 |
| 504-4-66 | 504/IV-S-16 |
| 504-4-69 | 504/IV-S-17 |

| New -4 machine models | Mark/IV machine models |
|-----------------------|------------------------|
| 512-4-61 | 514/IV-11 |
| 512-4-62 | 514/IV-22 |
| 512-4-63 | 514/IV-23 |
| 512-4-64 | 514/IV-41 |
| 512-4-53 | --- |
| 512-4-57 | --- |
| 512-4-73 | 514/IV-56 |
| 514-4-20 | 514/IV-20 |
| 514-4-61 | 514/IV-S-15 |
| 514-4-62 | 514/IV-S-18 |
| 514-4-64 | 514/IV-S-19 |
| 514-4-67 | 514/IV-S-11 |
| 514-4-73 | --- |
| 514-4-68 | 514/IV-S-14 |

Note: All product code numbers begin with prefix 323-

COMMON PARTS: 204072 (323-810-216) - Left looper
201121A (323-870-214) - Upper knife

| Presser foot | | | | Needle bar complete | Needle guard | | Needle factory set | Attachment on machine (available by option) |
|--------------------|-------------------------|--------------------|--------------------|---------------------------|-------------------|-------------------|-----------------------|--|
| body | chaining- off finger | fabric guard | uncurler | | front | rear | | |
| 201230C 820-019 | 201396B 863-215 | 201265B 854-200 | 204668 560-020 | 204624 591-004 | 204659 561-011 | 204660 561-012 | | |
| " | " | " | " | " | " | " | | |
| " | 201310A 863-201 | " | " | " | " | " | | DCx1 #14 423-223-631 |
| " | " | " | " | " | " | " | | |
| 205136 820-014 | --- | --- | 205342A 560-041 | " | " | " | | |
| " | --- | --- | " | " | " | " | | DCx1 #14 423-223-631 |
| " | --- | --- | " | " | " | " | | |
| " | --- | --- | " | " | " | " | | |
| " | --- | --- | --- | " | " | " | | DCx27 #14 423-243-631 |
| " | --- | --- | --- | " | " | " | | Shirring attachment |
| 205253 820-287 | 201310A 863-201 | 201265B 854-200 | 205342A 560-041 | " | " | " | | DCx27 #14 423-243-631 |
| " | " | " | " | " | " | " | | |

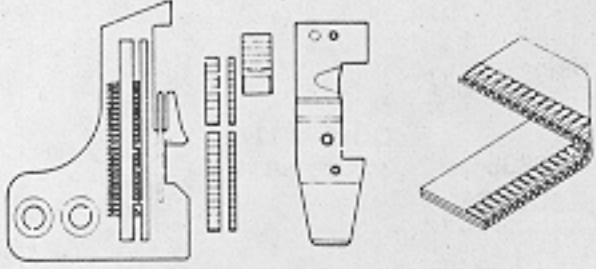
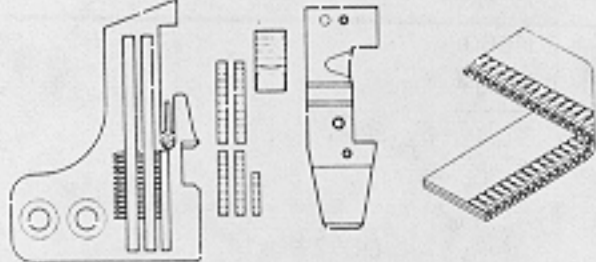
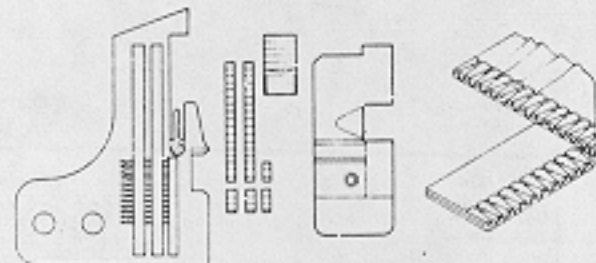
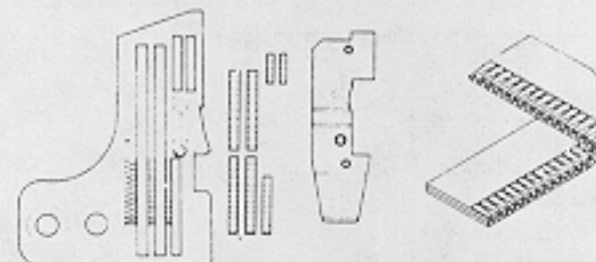
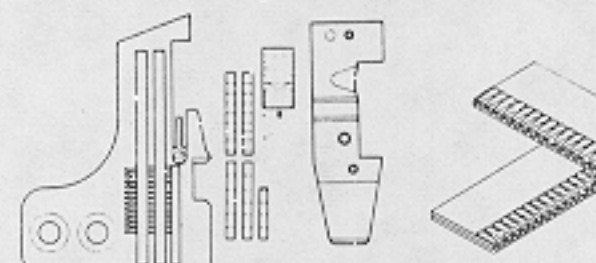
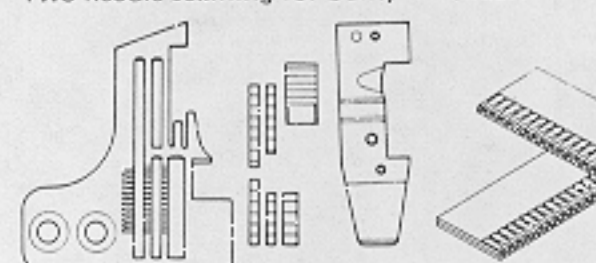
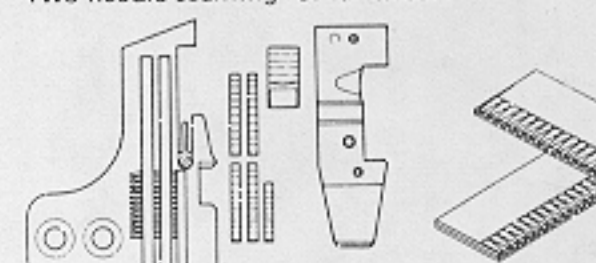
LIST OF ORGANIZATION PARTS

| Machine model | Gauge (mm) (inch) | Needle plate | Feed dogs | | | Right looper # = mark stamped | Lower knife |
|---|-------------------------|-----------------|-----------|---------|---------|-------------------------------------|----------------|
| | | | main | aux. | diff. | | |
| 512-4-53 Two needle seaming for woven fabrics. | 2x3mm | 208322 | 208039 | 204674 | 208041 | 204702 | 201127 |
| | 5/64x1/8" | 801-128 | 830-086 | 830-037 | 830-088 | 810-009 #4 | 870-211 |
| | 2x4mm | 208323 | " | " | " | " | " |
| | 5/64x5/32" | 801-129 | " | " | " | " | " |
| | 2x5mm | 208324 | " | " | " | " | 202295 |
| | 5/64x3/16" | 801-130 | " | " | " | " | 870-210 |
| | 3x3mm | 208033 | " | " | " | " | 201127 |
| | 1/8x1/8" | 801-086 | " | " | " | " | 870-211 |
| | 3x4mm | 208034 | " | " | " | " | 202295 |
| | 1/8x5/32" | 801-087 | " | " | " | " | 870-210 |
| 3x5mm | 208035 | " | " | " | " | " | |
| 1/8x3/16" | 801-088 | " | " | " | " | " | |
| 512-4-57 Two needle seaming on stretch fabrics. | 2x3mm | 208325 | " | 208095 | " | 204663 | 201127 |
| | 5/64x1/8" | 801-131 | " | 830-092 | " | 810-008 #7 | 870-211 |
| | 2x4mm | 208326 | " | " | " | " | " |
| | 5/64x5/32" | 801-132 | " | " | " | " | " |
| | 2x5mm | 208327 | " | " | " | " | 202295 |
| | 5/64x3/16" | 801-133 | " | " | " | " | 870-210 |
| | 3x3mm | 208036 | " | " | " | " | 201127 |
| | 1/8x1/8" | 801-089 | " | " | " | " | 870-211 |
| | 3x4mm | 208037 | " | " | " | " | 202295 |
| | 1/8x5/32" | 801-090 | " | " | " | " | 870-210 |
| 3x5mm | 208038 | " | " | " | " | " | |
| 1/8x3/16" | 801-091 | " | " | " | " | " | |
| 512-4-73 Two needle seaming on bulky knits. | 2.5x2.5mm | 208030 | 208040 | 204674 | 208044 | " | 201127 |
| | 3/32x3/32" | 801-083 | 830-087 | 830-037 | 830-091 | " | 870-211 |
| | 2.5x4mm | 208031 | " | " | " | " | 202295 |
| | 3/32x5/32" | 801-084 | " | " | " | " | 870-210 |
| | 2.5x5mm | 208032 | " | " | " | " | " |
| | 3/32x3/16" | 801-085 | " | " | " | " | " |
| | 3x3mm | 208033 | " | " | " | " | 201127 |
| | 1/8x1/8" | 801-086 | " | " | " | " | 870-211 |
| | 3x4mm | 208034 | " | " | " | " | 202295 |
| | 1/8x5/32" | 801-087 | " | " | " | " | 870-210 |
| 3x5mm | 208035 | " | " | " | " | " | |
| 1/8x3/16" | 801-088 | " | " | " | " | " | |

Note: All product code numbers begin with prefix 323-

| Presser foot body | chaining- off finger | fabric guard | uncurler | Needle bar complete | Needle guard | | Needle factory set | Attachment on machine (available by option) |
|----------------------|-------------------------|--------------------|--------------------|---------------------------|-------------------|-------------------|--------------------------|--|
| | | | | | front | rear | | |
| 201230C 820-019 | 201396B 863-215 | 201265B 854-200 | 204668 560-020 | 204624 591-004 | 204659 561-011 | 204660 561-012 | | |
| " | 201310A 863-201 | " | " | " | " | " | | |
| " | " | " | " | " | " | " | | |
| " | 208049 863-015 | " | " | 208047 591-009 | 208053 561-023 | 208054 561-024 | DCx1 #11 423-222-831 | (BT Backtacker) |
| " | 208050 863-016 | " | " | " | " | " | | |
| " | " | " | " | " | " | " | | |
| 202799 820-286 | 201396B 863-215 | " | 205342A 560-041 | 204624 591-004 | 204659 561-011 | 204660 561-012 | | |
| " | 201310A 863-201 | " | " | " | " | " | | |
| " | " | " | " | " | " | " | | |
| 205253 820-287 | 208049 863-015 | " | " | 208047 591-009 | 208053 561-023 | " | DCx27 #14 423-243-631 | |
| " | 208050 863-016 | " | " | " | " | " | | |
| " | " | " | " | " | " | " | | |
| 201230C 820-019 | 208049 863-015 | " | 204668 560-020 | 208045 591-008 | 208051 561-021 | 208052 561-022 | | |
| " | 208050 863-016 | " | " | " | " | " | | |
| " | " | " | " | " | " | " | | |
| " | 208049 863-015 | " | " | 208047 591-009 | 208053 561-023 | 208054 561-024 | DCx1 #14 423-223-631 | |
| " | 208050 863-016 | " | " | " | " | " | | |
| " | " | " | " | " | " | " | | |

LIST OF ORGANIZATION PARTS

| Machine model | Gauge (mm) (inch) | Needle plate | Feed dogs | | | Right looper # = mark stamped | Lower knife |
|---|-------------------------|--------------------|--------------------|-------------------|-------------------|-------------------------------------|-------------------------|
| | | | main | aux. | diff. | | |
| 514-4-20 Two needle seaming on light knits.  | 1.5x2mm 1/16x5/64" | 204910 801-043 | 204729A 830-103 | 204674 830-054 | 204730 830-059 | 204963 810-227 | #8 202295 870-210 |
| | 1.5x3mm 1/16x1/8" | 204911 801-044 | " | " | " | " | " |
| | 2x2mm 5/64x5/64" | 205256 801-048 | " | " | " | " | " |
| | 2x3mm 5/64x1/8" | 205257 801-049 | " | " | " | " | " |
| 514-4-61 Two needle seaming knits.  | 2x2mm 5/64x5/64" | 205255 801-047 | 204675A 820-096 | " | 204676 830-033 | " | 201127 870-211 |
| | 2x3mm 5/64x1/8" | 205255 801-047 | " | " | " | " | 202295 870-210 |
| | 2x4mm 5/64x5/32" | 202554E 801-030 | " | " | " | " | " |
| | | | | | | | |
| 514-4-62 Two needle intermittent shirring.  | 2x2mm 5/64x5/64" | 205255 801-047 | 204723A 830-108 | " | 204724 830-036 | 204964 810-228 | #9 201127 870-211 |
| | 2x3mm 5/64x1/8" | 205255 801-047 | " | " | " | " | 202295 870-210 |
| | 2x4mm 5/64x5/32" | 202554E 801-030 | " | " | " | " | " |
| | | | | | | | |
| 514-4-64 Two needle seaming.  | 2x4mm 5/64x5/32" | 205243 801-364 | 204675A 830-096 | 204677 830-037 | 204676 830-033 | " | " |
| | | | | | | | |
| 514-4-67 Two needle seaming for bulky knitwear.  | 2x2mm 5/64x5/64" | 205255 801-047 | 204678A 830-094 | 204674 830-054 | 204691 830-058 | " | 201127 870-211 |
| | 2x3mm 5/64x1/8" | 205255 801-047 | " | " | " | " | 202295 870-210 |
| | 2x4mm 5/64x5/32" | 202554E 801-030 | " | " | " | " | " |
| | | | | | | | |
| 514-4-73 Two needle seaming for bulky knitwear.  | 2.5x2.5mm 3/32x3/32" | 208030 801-083 | 208040 830-087 | " | 208044 830-091 | " | 201127 870-211 |
| | 2.5x4mm 3/32x5/32" | 208031 801-084 | " | " | " | " | 202295 870-210 |
| | | | | | | | |
| 514-4-68 Two needle seaming for knitwear.  | 2x2mm 5/64x5/64" | 205255 801-047 | 204675A 830-096 | " | 204690 830-058 | 204963 810-227 | #8 201127 870-211 |
| | 2x3mm 5/64x1/8" | 205255 801-047 | " | " | " | " | 202295 870-210 |
| | 2x4mm 5/64x5/32" | 202554E 801-030 | " | " | " | " | " |
| | | | | | | | |

Note: All product code numbers begin with prefix 323-

| Presser foot | | | | Needle bar complete | Needle guard | | Needle factory set | Attachment on machine (available by option) |
|--------------------|---------------------|--------------------|--------------------|---------------------|-------------------|-------------------|-------------------------|---|
| body | chaining-off finger | fabric guard | uncurler | | front | rear | | |
| 201230C 820-019 | 201396B 863-215 | 201265B 854-200 | 204668 560-020 | 204872 591-007 | 204659 561-011 | 204660 561-012 | DCx3 #9 | (KS Chain Cutter) (BT Backtacker) |
| " | " | " | " | " | " | " | | |
| " | " | " | " | 204624 591-004 | " | " | DCx1 #9 423-222-631 | |
| " | " | " | " | " | " | " | | |
| " | " | " | " | " | " | " | DCx1 #9 423-222-631 | (KS Chain Cutter) (BT Backtacker) |
| " | " | " | " | " | " | " | | |
| " | 201310A 863-201 | " | " | " | " | " | DCx1 #14 423-223-631 | Shirring attachment (KS Chain Cutter) |
| " | " | " | " | " | " | " | | |
| 205136 820-014 | --- | --- | 205342A 560-041 | " | " | " | DCx1 #14 423-223-631 | (KS Chain Cutter) |
| " | --- | --- | " | " | " | " | | |
| " | --- | --- | " | " | " | " | | |
| 205253 820-287 | 201310A 863-201 | 201265B 854-200 | " | " | " | " | DCx1 #14 423-223-631 | (KS Chain Cutter) |
| 201230C 820-019 | 201396B 863-215 | " | 204668 560-020 | " | " | " | DCx1 #14 423-223-631 | (KS Chain Cutter) (BT Backtacker) |
| " | " | " | " | " | " | " | | |
| " | 201310A 863-201 | " | " | " | " | " | | |
| " | 208049 863-015 | " | " | 208045 591-008 | 208051 561-021 | 208052 561-022 | DCx1 #14 423-223-631 | (KS Chain Cutter) (BT Backtacker) |
| " | 208050 863-016 | " | " | " | " | " | | |
| " | 201396B 863-215 | " | " | 204624 591-004 | 204659 561-011 | 204660 561-012 | DCx1 #11 423-222-831 | (KS Chain Cutter) (BT Backtacker) |
| " | " | " | " | " | " | " | | |
| " | 201310A 863-201 | " | " | " | " | " | | |

CROSS NUMBER INDEX

(new product code numbers vs part numbers)

| NEW PRODUCT CODE NO. | PART NO. | PAGE | REF NO. | NEW PRODUCT CODE NO. | PART NO. | PAGE | REF NO. | NEW PRODUCT CODE NO. | PART NO. | PAGE | REF NO. |
|-------------------------|----------|------|------------|-------------------------|----------|------|------------|-------------------------|----------|------|------------|
| | 206550 | 7 | 19 | 323-560-041 | 205342A | 47 | | 323-600-002 | 1175-2 | 45 | 13 |
| 323-400-001 | 201211A | 45 | 14 | 323-560-041 | 205342A | 49 | | 323-600-004 | 5060 | 25 | 11 |
| 323-500-019 | 208602 | 3 | 4 | 323-560-041 | 205342A | 51 | | 323-600-004 | 5060 | 29 | 12 |
| 323-500-020 | 208603 | 3 | 8 | 323-560-041 | 205342A | 53 | | 323-600-006 | 1234 | 7 | 8 |
| 323-502-011 | 208526 | 27 | 1 | 323-560-041 | 205342A | 55 | | 323-600-006 | 1234 | 43 | 10 |
| 323-502-213 | 204139A | 21 | 39 | 323-560-046 | 208109 | 23 | 44 | 323-600-006 | 1234 | 43 | 12 |
| 323-505-009 | 240 | 37 | 33 | 323-560-047 | 208434 | 3 | 12 | 323-600-008 | 5080 | 9 | 28 |
| 323-505-016 | 204760A | 45 | 12 | 323-560-051 | 204848A | 7 | 1 | 323-600-009 | 5081 | 9 | 29 |
| 323-505-100 | 197 | 41 | 48 | 323-560-052 | 208604 | 7 | 35 | 323-600-010 | 5010 | 9 | 33 |
| 323-508-002 | 201341 | 29 | 19 | 323-560-053 | 208616 | 13 | 24 | 323-600-010 | 5010 | 25 | 27 |
| | | | | | | | | | | | |
| 323-510-030 | 204650A | 7 | 33 | | | | | 323-600-011 | 5002 | 25 | 20 |
| 323-510-035 | 204862 | 33 | 14 | 323-560-225 | 204156 | 43 | 7 | 323-600-012 | 1457 | 13 | 30 |
| 323-510-036 | 204950 | 43 | 8 | 323-561-009 | 204634 | 11 | 17 | 323-600-012 | 1457 | 27 | 24 |
| 323-510-043 | 208001 | 7 | 20 | 323-561-009 | 204634 | 47 | | 323-600-013 | 5084 | 5 | 16 |
| 323-510-046 | 208003 | 7 | 21 | 323-561-009 | 204634 | 49 | | 323-600-013 | 5084 | 5 | 36 |
| 323-510-048 | 208005 | 7 | | 323-561-010 | 204635 | 11 | 20 | 323-600-013 | 5084 | 11 | 13 |
| 323-510-053 | 208058 | 7 | | 323-561-010 | 204635 | 47 | | 323-600-013 | 5084 | 17 | 23 |
| 323-510-078 | 208347 | 5 | 8 | 323-561-010 | 204635 | 49 | | 323-600-013 | 5084 | 17 | 31 |
| 323-510-079 | 208299 | 7 | 13 | 323-561-011 | 204659 | 11 | 18 | 323-600-013 | 5084 | 21 | 3 |
| 323-510-086 | 208023A | 7 | 5 | 323-561-011 | 204659 | 51 | | 323-600-013 | 5084 | 21 | 38 |
| | | | | | | | | | | | |
| 323-510-088 | 204865A | 7 | 48 | 323-561-011 | 204659 | 53 | | 323-600-013 | 5084 | 23 | 6 |
| 323-510-089 | 208568 | 15 | | 323-561-011 | 204659 | 55 | | 323-600-013 | 5084 | 23 | 32 |
| 323-510-090 | 208560 | 15 | 22 | 323-561-011 | 204660 | 11 | 21 | 323-600-014 | 4009-1 | 5 | 3 |
| 323-510-091 | 204857A | 7 | 43 | 323-561-012 | 204660 | 51 | | 323-600-014 | 4009-1 | 5 | 12 |
| 323-510-248 | 204223 | 7 | 9 | 323-561-012 | 204660 | 53 | | 323-600-014 | 4009-1 | 7 | 2 |
| 323-515-002 | 204737 | 9 | 8 | 323-561-012 | 204660 | 55 | | 323-600-014 | 4009-1 | 7 | 10 |
| 323-515-202 | 204060 | 17 | 30 | 323-561-012 | 204660 | 55 | | 323-600-014 | 4009-1 | 7 | 10 |
| 323-515-203 | 204180 | 29 | 1 | 323-561-017 | 204884 | 11 | 25 | 323-600-014 | 4009-1 | 11 | 16 |
| 323-525-013 | 208346 | 17 | 1 | 323-561-021 | 208051 | 53 | | 323-600-014 | 4009-1 | 15 | 14 |
| 323-525-013 | 208346 | 19 | 1 | 323-561-021 | 208051 | 55 | | 323-600-014 | 4009-1 | 23 | 3 |
| | | | | 323-561-022 | 208052 | 53 | | 323-600-015 | 5053 | 5 | 28 |
| | | | | | | | | | | | |
| 323-525-014 | 204145A | 25 | 1 | 323-561-022 | 208052 | 55 | | 323-600-015 | 5053 | 13 | 25 |
| 323-525-232 | 204100 | 21 | 1 | 323-561-023 | 208053 | 53 | | 323-600-016 | 1229 | 41 | 14 |
| 323-525-234 | 204122 | 23 | 25 | 323-561-024 | 208054 | 53 | | 323-600-016 | 1229 | 41 | 14 |
| 323-525-236 | 204147 | 25 | 5 | 323-568-202 | 204198 | 31 | 15 | 323-600-019 | 1175-3 | 11 | 24 |
| 323-530-010 | 204664 | 19 | 18 | 323-570-203 | 204186 | 29 | 13 | 323-600-019 | 1175-3 | 19 | 23 |
| 323-530-011 | 204755 | 21 | 44 | 323-570-204 | 204187 | 29 | 11 | 323-600-019 | 1175-3 | 21 | 18 |
| 323-530-016 | 204177B | 27 | 41 | 323-575-006 | 204787 | 19 | 7 | 323-600-019 | 1175-3 | 41 | 31 |
| 323-530-017 | 204853 | 19 | 19 | 323-576-007 | 204788 | 17 | 5 | 323-600-020 | 1170-1 | 17 | 3 |
| 323-530-018 | 204883 | 21 | 46 | 323-576-007 | 204788 | 19 | 8 | 323-600-020 | 1170-1 | 19 | 3 |
| 323-530-028 | 208319 | 17 | 26 | 323-576-010 | 201360B | 11 | 5 | 323-600-020 | 1170-1 | 41 | 34 |
| | | | | | | | | 323-600-021 | 1206 | 11 | 19 |
| | | | | | | | | | | | |
| 323-530-029 | 208313 | 27 | 25 | 323-576-011 | 201441B | 11 | 6 | 323-600-021 | 1206 | 11 | 22 |
| 323-530-031 | 208598 | 27 | 35 | 323-576-017 | 208424 | 13 | 1 | 323-600-021 | 1206 | 33 | 18 |
| 323-530-032 | 204890 | 43 | 34 | 323-576-018 | 204055B | 17 | 18 | 323-600-022 | 2022-4 | 13 | 2 |
| 323-530-100 | 193 | 41 | 38 | 323-576-019 | 208284 | 23 | 7 | 323-600-022 | 2022-4 | 17 | 6 |
| 323-530-232 | 205072 | 41 | 21 | 323-576-020 | 208333 | 21 | | 323-600-022 | 2022-4 | 19 | 10 |
| 323-533-005 | 245 | 39 | 17 | 323-576-213 | 204048A | 17 | 4 | 323-600-022 | 2022-4 | 27 | 26 |
| 323-534-001 | 204592 | 41 | 25 | 323-576-220 | 204085 | 21 | 5 | 323-600-024 | 1998-2 | 17 | 37 |
| 323-535-001 | 216 | 37 | 1 | 323-580-037 | 205333 | 43 | 20 | 323-600-025 | 5064 | 41 | 5 |
| 323-535-002 | 218 | 37 | 3 | 323-580-084 | 208282 | 21 | 7 | 323-600-025 | 5064 | 41 | 5 |
| 323-535-004 | 208420 | 21 | 29 | 323-590-004 | 293 | 37 | 24 | 323-600-026 | 2921 | 17 | 50 |
| | | | | | | | | 323-600-026 | 2921 | 27 | 15 |
| | | | | | | | | | | | |
| 323-535-005 | 292 | 37 | 18 | 323-591-003 | 204623 | 13 | 17 | 323-600-026 | 2921 | 43 | 25 |
| 323-535-205 | 204029 | 11 | 1 | 323-591-003 | 204623 | 47 | | 323-600-027 | 1174 | 9 | 14 |
| 323-540-016 | 204751 | 23 | 1 | 323-591-003 | 204623 | 49 | | 323-600-029 | 1196 | 21 | 14 |
| 323-540-017 | 204752 | 21 | 34 | 323-591-004 | 204624 | 51 | | 323-600-032 | 1202 | 5 | 24 |
| 323-540-027 | 208247 | 11 | 8 | 323-591-004 | 204624 | 53 | | 323-600-032 | 1202 | 27 | 42 |
| 323-540-029 | 208343 | 9 | 1 | 323-591-004 | 204624 | 55 | | 323-600-032 | 1202 | 45 | 11 |
| 323-540-031 | 208534 | 27 | 20 | 323-591-007 | 204872 | 55 | | 323-600-034 | 1459 | 5 | 21 |
| 323-540-032 | 204889 | 43 | 33 | 323-591-008 | 208045 | 53 | | 323-600-034 | 1459 | 43 | 35 |
| 323-540-228 | 204069A | 17 | 10 | 323-591-008 | 208045 | 55 | | 323-600-037 | 1458 | 25 | 4 |
| 323-540-228 | 204069A | 19 | 11 | 323-591-009 | 208047 | 53 | | 323-600-037 | 1458 | 29 | 10 |
| | | | | | | | | | | | |
| 323-540-236 | 204184 | 29 | 9 | 323-592-001 | 208537 | 27 | 31 | 323-600-039 | 5113 | 7 | 52 |
| 323-540-237 | 204183 | 29 | 7 | 323-593-003 | 204123A | 23 | 29 | 323-600-043 | 2022 | 3 | 3 |
| 323-540-246 | 205067 | 41 | 6 | 323-593-207 | 204124 | 23 | 30 | 323-600-043 | 2022 | 9 | 12 |
| 323-546-203 | 204025 | 9 | 27 | 323-600-001 | 5078 | 3 | 6 | 323-600-043 | 2022 | 13 | 3 |
| 323-546-204 | 204026 | 9 | 30 | 323-600-002 | 1175-2 | 11 | 28 | 323-600-043 | 2022 | 29 | 14 |
| 323-560-020 | 204668 | 47 | | 323-600-002 | 1175-2 | 17 | 33 | 323-600-044 | 5088 | 25 | 14 |
| 323-560-020 | 204668 | 49 | | 323-600-002 | 1175-2 | 23 | 48 | 323-600-046 | 1170-3 | 13 | 8 |
| 323-560-020 | 204668 | 51 | | 323-600-002 | 1175-2 | 25 | 17 | 323-600-048 | 1333 | 27 | 7 |
| 323-560-020 | 204668 | 53 | | 323-600-002 | 1175-2 | 25 | 26 | 323-600-050 | 5089 | 27 | 12 |
| 323-560-020 | 204668 | 55 | | 323-600-002 | 1175-2 | 43 | 37 | 323-600-051 | 1231 | 27 | 19 |

CROSS NUMBER INDEX

(new product code numbers vs part numbers)

| NEW PRODUCT CODE NO. | PART NO. | PAGE | REF NO. | NEW PRODUCT CODE NO. | PART NO. | PAGE | REF NO. | NEW PRODUCT CODE NO. | PART NO. | PAGE | REF NO. |
|-------------------------|----------|------|------------|-------------------------|----------|------|------------|-------------------------|----------|------|------------|
| 323-600-054 | 5142 | 43 | 5 | 323-600-136 | 5381 | 23 | 8 | 323-600-351 | 5312 | 21 | 28 |
| 323-600-056 | 2213-1 | 17 | 2 | 323-600-136 | 5381 | 23 | 20 | 323-600-353 | 5205 | 23 | 40 |
| 323-600-056 | 2213-1 | 19 | 2 | 323-600-136 | 5381 | 25 | 6 | 323-600-353 | 5205 | 23 | 43 |
| 323-600-057 | 5117 | 3 | 24 | 323-600-140 | 5441 | 5 | 31 | 323-600-354 | 5138B | 31 | 18 |
| 323-600-057 | 5117 | 5 | 7 | 323-600-141 | 5271 | 27 | 2 | 323-600-355 | 5317 | 23 | 34 |
| 323-600-057 | 5117 | 5 | 10 | 323-600-142 | 208615 | 27 | 34 | 323-600-355 | 5317 | 27 | 30 |
| 323-600-057 | 5117 | 9 | 22 | 323-600-143 | 5242 | 33 | 2 | 323-600-359 | 5332 | 3 | 2 |
| 323-600-057 | 5117 | 15 | 23 | 323-600-200 | 1156 | 17 | 8 | 323-600-366 | 5346 | 23 | 46 |
| 323-600-057 | 5117 | 25 | 23 | 323-600-200 | 1156 | 19 | 5 | 323-604-018 | 208316 | 27 | 49 |
| 323-600-057 | 5117 | 29 | 4 | 323-600-202 | 5030 | 27 | 17 | 323-604-019 | 5380 | 43 | 31 |
| 323-600-057 | 5117 | 29 | 20 | 323-600-206 | 5147 | 7 | 36 | 323-604-201 | 5082A | 15 | 7 |
| 323-600-057 | 5117 | 29 | 22 | 323-600-206 | 5147 | 17 | 25 | 323-604-201 | 5082A | 17 | 45 |
| 323-600-057 | 5117 | 33 | 5 | 323-600-215 | 2133-1 | 23 | 36 | 323-604-201 | 5082A | 19 | 31 |
| 323-600-057 | 5117 | 33 | 16 | 323-600-215 | 2133-1 | 27 | 22 | 323-604-209 | 200152 | 31 | 2 |
| 323-600-057 | 5117 | 39 | 23 | 323-600-224 | 9070-2 | 13 | 14 | 323-604-209 | 200152 | 31 | 11 |
| 323-600-057 | 5117 | 41 | 20 | 323-600-225 | 5286 | 17 | 20 | 323-604-222 | 200137 | 33 | 9 |
| 323-600-057 | 5117 | 41 | 22 | 323-600-226 | 1170 | 41 | 23 | 323-604-222 | 200137 | 33 | 21 |
| 323-600-057 | 5117 | 43 | 29 | 323-600-229 | 2922 | 7 | 4 | 323-604-235 | 5143A | 15 | 11 |
| 323-600-057 | 5117 | 45 | 2 | 323-600-229 | 2922 | 23 | 50 | 323-605-003 | 5347 | 41 | 49 |
| 323-600-059 | 3001 | 29 | 25 | 323-600-237 | 2213 | 41 | 8 | 323-605-006 | 5150B | 31 | 20 |
| 323-600-060 | 5118 | 21 | 45 | 323-600-245 | 5136 | 9 | 9 | 323-605-008 | 5439 | 35 | 4 |
| 323-600-060 | 5118 | 21 | 49 | 323-600-245 | 5136 | 11 | 26 | 323-607-003 | 204892 | 43 | 38 |
| 323-600-060 | 5118 | 27 | 45 | 323-600-245 | 5136 | 27 | 9 | 323-613-001 | 201482 | 15 | 5 |
| 323-600-060 | 5118 | 33 | 3 | 323-600-247 | 5019 | 35 | 11 | 323-613-001 | 201482 | 17 | 43 |
| 323-600-060 | 5118 | 41 | 43 | 323-600-255 | 5012 | 17 | 55 | 323-613-001 | 201482 | 19 | 29 |
| 323-600-061 | 5152 | 7 | 15 | 323-600-255 | 5012 | 33 | 7 | 323-615-001 | 201006 | 3 | 18 |
| 323-600-062 | 201323 | 31 | 4 | 323-600-256 | 5029 | 23 | 23 | 323-615-010 | 201759 | 31 | 8 |
| 323-600-064 | 201758 | 31 | 7 | 323-600-256 | 5029 | 27 | 38 | 323-615-012 | 201185 | 45 | 16 |
| 323-600-068 | 1216 | 5 | 38 | 323-600-257 | 5091 | 7 | 44 | 323-615-015 | 200162A | 5 | 39 |
| 323-600-068 | 1216 | 7 | 28 | 323-600-257 | 5091 | 7 | 49 | 323-615-015 | 201191 | 45 | 8 |
| 323-600-068 | 1216 | 21 | 47 | 323-600-257 | 5091 | 15 | 21 | 323-615-017 | 137142 | 41 | 42 |
| 323-600-068 | 1216 | 41 | 36 | 323-600-259 | 2902 | 7 | 46 | 323-615-017 | 137142 | 41 | 44 |
| 323-600-069 | 1435 | 5 | 20 | 323-600-259 | 2902 | 17 | 48 | 323-615-018 | 137906 | 7 | 29 |
| 323-600-072 | 5094 | 7 | 30 | 323-600-259 | 2902 | 19 | 34 | 323-615-018 | 137906 | 41 | 37 |
| 323-600-072 | 5094 | 7 | 34 | 323-600-264 | 5146 | 7 | 26 | 323-615-021 | 204585 | 41 | 51 |
| 323-600-072 | 5094 | 29 | 16 | 323-600-271 | 2193 | 17 | 12 | 323-615-028 | 224 | 37 | 10 |
| 323-600-074 | 2905 | 17 | 53 | 323-600-271 | 2193 | 19 | 13 | 323-615-029 | 204806 | 31 | 21 |
| 323-600-074 | 2905 | 45 | 15 | 323-600-271 | 2193 | 25 | 31 | 323-615-033 | 204439A | 23 | 33 |
| 323-600-079 | 5184 | 45 | 7 | 323-600-271 | 2193 | 41 | 17 | 323-615-036 | 208286 | 23 | 14 |
| 323-600-083 | 5321A | 21 | 51 | 323-600-271 | 2193 | 45 | 4 | 323-615-201 | 202576 | 5 | 14 |
| 323-600-087 | 5141 | 23 | 24 | 323-600-293 | 5240 | 9 | 15 | 323-615-201 | 202576 | 5 | 34 |
| 323-600-088 | 5276 | 41 | 26 | 323-600-294 | 5238 | 9 | 23 | 323-615-209 | 200138 | 31 | 3 |
| 323-600-088 | 5276 | 41 | 29 | 323-600-295 | 5267 | 9 | 31 | 323-615-209 | 200138 | 31 | 14 |
| 323-600-091 | 5359 | 13 | 11 | 323-600-296 | 5233 | 11 | 2 | 323-615-209 | 200138 | 33 | 11 |
| 323-600-097 | 5361 | 9 | 6 | 323-600-296 | 5233 | 25 | 2 | 323-615-209 | 200138 | 33 | 22 |
| 323-600-098 | 5357 | 15 | 18 | 323-600-297 | 5234 | 11 | 4 | 323-615-211 | 167066 | 25 | 15 |
| 323-600-099 | 5362 | 5 | 19 | 323-600-300 | 5299 | 13 | 16 | 323-615-211 | 167066 | 41 | 32 |
| 323-600-100 | 5183 | 41 | 40 | 323-600-301 | 1189 | 7 | 22 | 323-615-213 | 202058 | 41 | 27 |
| 323-600-101 | 5341 | 41 | 54 | 323-600-301 | 1189 | 23 | 52 | 323-615-216 | 202875 | 17 | 51 |
| 323-600-102 | 204757 | 21 | 55 | 323-600-302 | 5227 | 41 | 2 | 323-615-217 | 204018 | 9 | 17 |
| 323-600-107 | 204869 | 21 | 56 | 323-600-304 | 5293 | 15 | 16 | 323-615-219 | 202769 | 35 | 6 |
| 323-600-108 | 5371 | 43 | 3 | 323-600-306 | 5284 | 19 | 20 | 323-615-221 | 204023 | 9 | 24 |
| 323-600-109 | 5182 | 7 | 50 | 323-600-307 | 5077 | 43 | 18 | 323-615-227 | 205066 | 41 | 4 |
| 323-600-116 | 5336 | 21 | 24 | 323-600-309 | 5231 | 23 | 16 | 323-615-229 | 202287A | 31 | 19 |
| 323-600-117 | 205217 | 39 | 22 | 323-600-309 | 5231 | 23 | 27 | 323-615-233 | 204520 | 9 | 7 |
| 323-600-118 | 217 | 37 | 2 | 323-600-313 | 5291 | 15 | 27 | 323-616-200 | 204293 | 19 | 21 |
| 323-600-119 | 221 | 37 | 7 | 323-600-314 | 5232 | 5 | 40 | 323-617-001 | 225 | 37 | 11 |
| 323-600-120 | 230 | 37 | 16 | 323-600-314 | 5232 | 27 | 43 | 323-617-002 | 202757A | 27 | 29 |
| 323-600-120 | 230 | 37 | 19 | 323-600-316 | 2913-2 | 27 | 50 | 323-617-200 | 202286 | 7 | 47 |
| 323-600-120 | 230 | 37 | 22 | 323-600-321 | 175 | 35 | 8 | 323-617-200 | 202286 | 17 | 9 |
| 323-600-120 | 230 | 37 | 25 | 323-600-326 | 5145 | 29 | 2 | 323-617-200 | 202286 | 17 | 13 |
| 323-600-121 | 239 | 37 | 32 | 323-600-327 | 5237 | 3 | 9 | 323-617-200 | 202286 | 19 | 6 |
| 323-600-122 | 241 | 37 | 34 | 323-600-328 | 5163 | 3 | 10 | 323-617-200 | 202286 | 19 | 14 |
| 323-600-123 | 242 | 37 | 35 | 323-600-329 | 5179 | 3 | 17 | 323-617-200 | 202286 | 41 | 12 |
| 323-600-124 | 5366 | 21 | 27 | 323-600-341 | 5292 | 13 | 6 | 323-617-200 | 202286 | 41 | 18 |
| 323-600-124 | 5366 | 43 | 21 | 323-600-341 | 5292 | 13 | 21 | 323-617-200 | 202286 | 45 | 5 |
| 323-600-134 | 5412 | 21 | 30 | 323-600-344 | 5315 | 9 | 2 | 323-617-204 | 202045 | 17 | 21 |
| 323-600-136 | 5381 | 11 | 7 | 323-600-347 | 5316 | 21 | 42 | 323-618-003 | 201056 | 23 | 5 |
| 323-600-136 | 5381 | 21 | 6 | 323-600-350 | 5326 | 41 | 10 | 323-618-003 | 201056 | 27 | 23 |
| 323-600-136 | 5381 | 21 | 40 | 323-600-351 | 5312 | 21 | 8 | 323-618-006 | 201117 | 11 | 12 |

CROSS NUMBER INDEX

(new product code numbers vs part numbers)

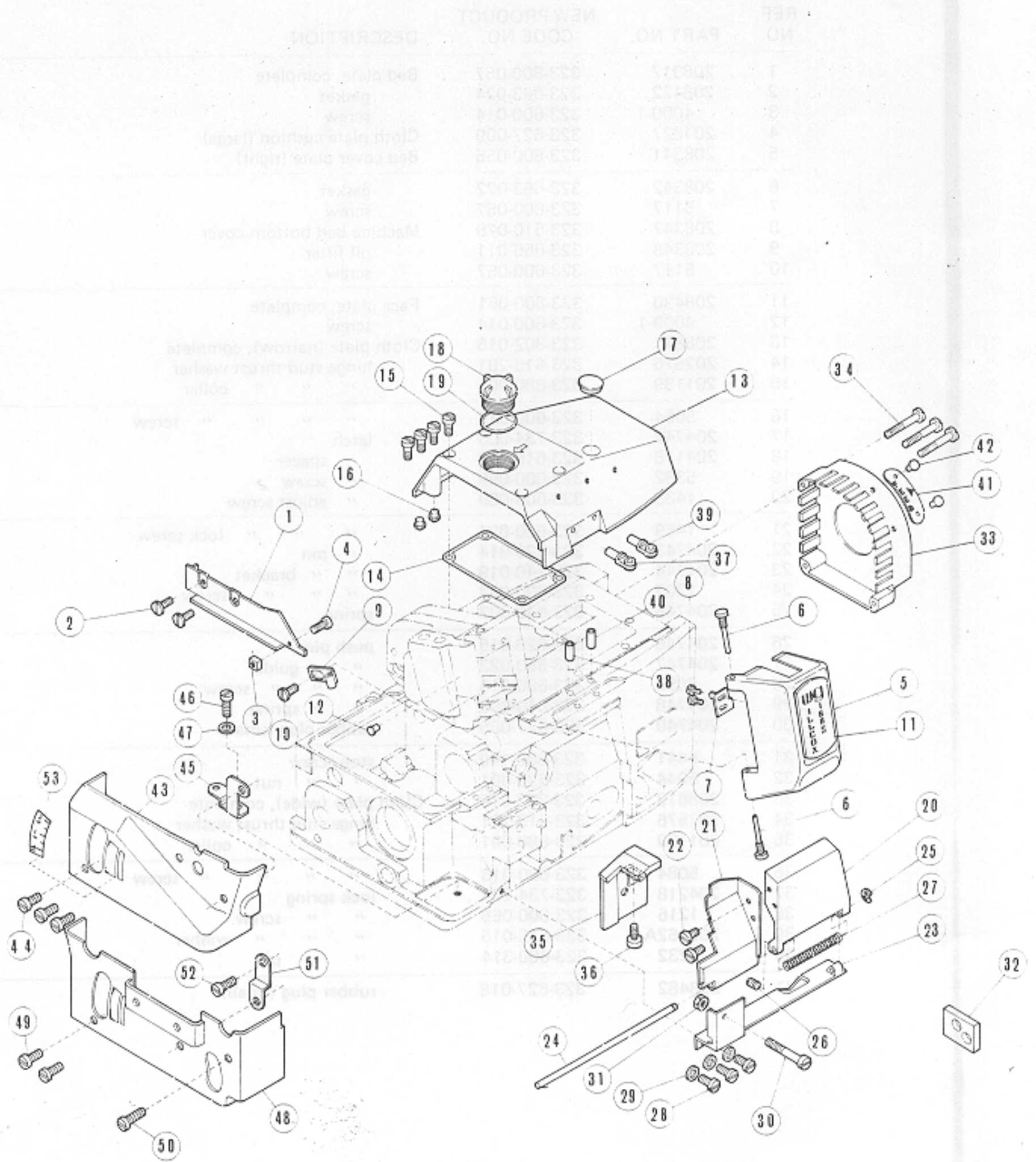
| NEW PRODUCT CODE NO. | PART NO. | PAGE | REF NO. | NEW PRODUCT CODE NO. | PART NO. | PAGE | REF NO. | NEW PRODUCT CODE NO. | PART NO. | PAGE | REF NO. |
|----------------------|----------|------|---------|----------------------|----------|------|---------|----------------------|----------|------|---------|
| 323-618-007 | 200183 | 41 | 15 | 323-630-033 | 208447 | 19 | 25 | 323-655-011 | 208348 | 5 | 9 |
| 323-618-010 | 204789 | 19 | 9 | 323-630-034 | 204893 | 43 | 39 | 323-656-003 | 206457 | 7 | 18 |
| 323-618-018 | 208409 | 21 | 15 | 323-630-202 | 5137 | 7 | 31 | 323-658-003 | 204861 | 33 | 13 |
| 323-618-019 | 204888 | 43 | 30 | 323-630-202 | 5137 | 15 | 12 | 323-658-004 | 204860 | 33 | 1 |
| 323-618-209 | 202868 | 21 | 53 | 323-630-202 | 5137 | 41 | 11 | 323-658-005 | 208308 | 33 | 2 |
| 323-618-210 | 204311 | 19 | 12 | 323-630-213 | 3119 | 13 | 18 | 323-659-015 | 137 | 39 | 6 |
| 323-618-211 | 204115 | 23 | 17 | 323-630-304 | 5239 | 17 | 19 | 323-660-200 | 153 | 39 | 18 |
| 323-618-211 | 204115 | 23 | 28 | 323-632-002 | 208272 | 9 | 26 | 323-663-001 | 201311 | 29 | 12 |
| 323-618-212 | 204107 | 17 | 11 | 323-632-201 | 204185 | 21 | 33 | 323-663-019 | 208168 | 23 | 43 |
| 323-618-212 | 204107 | 23 | 2 | 323-632-201 | 204185 | 29 | 15 | 323-663-020 | 208290 | 3 | 23 |
| 323-618-213 | 204118 | 5 | 18 | 323-633-002 | 204734 | 9 | 5 | 323-663-021 | 208169A | 3 | 13 |
| 323-620-001 | 201002 | 3 | 7 | 323-634-004 | 200555 | 7 | 25 | 323-663-022 | 208342 | 5 | 6 |
| 323-620-001 | 201002 | 3 | 11 | 323-634-200 | 202522 | 21 | 32 | 323-663-023 | 208318 | 31 | 17 |
| 323-620-014 | 204743 | 5 | 22 | 323-634-200 | 202522 | 21 | 43 | 323-663-024 | 208422 | 5 | 2 |
| 323-620-015 | 204746 | 5 | 26 | 323-634-200 | 202522 | 41 | 46 | 323-663-205 | 204319 | 9 | 10 |
| 323-620-016 | 204796 | 25 | 18 | 323-634-204 | 200030 | 13 | 29 | 323-663-207 | 204251 | 3 | 5 |
| 323-620-017 | 204630 | 15 | 19 | 323-636-200 | 200136 | 31 | 10 | 323-663-211 | 204192 | 29 | 23 |
| 323-620-024 | 223 | 37 | 9 | 323-636-200 | 200136 | 33 | 10 | 323-665-001 | 198 | 41 | 52 |
| 323-620-025 | 204863 | 33 | 15 | 323-636-200 | 200136 | 33 | 20 | 323-671-001 | 201523A | 9 | 16 |
| 323-620-026 | 208009 | 7 | 24 | 323-636-239 | 204921 | 33 | 19 | 323-671-002 | 204020A | 9 | 19 |
| 323-620-035 | 208285 | 23 | 12 | 323-639-012 | 204259 | 33 | 17 | 323-671-200 | 204010 | 9 | 4 |
| 323-620-036 | 208314 | 27 | 27 | 323-639-034 | 208446 | 33 | 4 | 323-672-200 | 204084 | 21 | 4 |
| 323-620-040 | 205495 | 11 | 3 | 323-639-205 | 200140 | 31 | 9 | 323-676-025 | 204625A | 13 | 22 |
| 323-620-040 | 205495 | 21 | 2 | 323-639-225 | 201072A | 7 | 38 | 323-676-029 | 204854 | 17 | |
| 323-620-041 | 208258 | 17 | 22 | 323-639-225 | 201072A | 7 | 40 | 323-676-039 | 204930 | 27 | 48 |
| 323-620-042 | 208549 | 27 | 4 | 323-639-232 | 204193 | 31 | 1 | 323-676-042 | 208248 | 11 | 9 |
| 323-620-100 | 195 | 41 | 45 | 323-639-233 | 204194 | 31 | 6 | 323-676-043 | 208249 | 11 | 11 |
| 323-620-206 | 200654 | 13 | 5 | 323-639-239 | 204921 | 33 | 8 | 323-676-045 | 208294 | 21 | 35 |
| 323-620-239 | 202647A | 27 | 39 | 323-640-006 | 204756 | 21 | 54 | 323-676-047 | 208448 | 15 | 2 |
| 323-620-240 | 202653 | 7 | 6 | 323-640-007 | 204745 | 5 | 25 | 323-676-047 | 208448 | 17 | 40 |
| 323-620-242 | 204006 | 3 | 19 | 323-640-008 | 204748 | 5 | 29 | 323-676-047 | 208448 | 19 | 26 |
| 323-620-244 | 204146 | 25 | 3 | 323-640-015 | 208010 | 7 | 27 | 323-676-048 | 208299 | 17 | 14 |
| 323-620-251 | 204354 | 21 | 11 | 323-640-021 | 208421 | 21 | 31 | 323-676-049 | 208429 | 17 | 17 |
| 323-620-252 | 204128A | 23 | 31 | 323-640-023 | 208540 | 27 | 33 | 323-676-050 | 208535 | 27 | 21 |
| 323-625-002 | 208330 | 21 | 17 | 323-640-024 | 208315 | 27 | 28 | 323-676-052 | 208597 | 17 | 34 |
| 323-625-202 | 204159 | 25 | 22 | 323-640-026 | 204894 | 43 | 40 | 323-676-053 | 208599 | 27 | 37 |
| 323-625-203 | 205070 | 41 | 13 | 323-640-100 | 196 | 41 | 47 | 323-676-232 | 204016 | 9 | 13 |
| 323-626-002 | 208250 | 11 | 10 | 323-640-203 | 200205 | 13 | 13 | 323-676-235 | 204054 | 19 | 15 |
| 323-626-201 | 204052A | 17 | 15 | 323-640-219 | 204158 | 25 | 21 | 323-676-235 | 204054 | 23 | 4 |
| 323-626-201 | 204052A | 19 | 17 | 323-640-220 | 204178 | 27 | 46 | 323-676-236 | 204081 | 17 | 16 |
| 323-626-201 | 204052A | 21 | 36 | 323-640-225 | 205065 | 41 | 3 | 323-676-239 | 204149 | 25 | 8 |
| 323-626-202 | 204022 | 9 | 21 | 323-640-228 | 201395 | 27 | 40 | 323-676-243 | 204014 | 9 | 11 |
| 323-627-005 | 204749 | 5 | 30 | 323-641-201 | 202689 | 7 | 7 | 323-676-248 | 204059 | 17 | 29 |
| 323-627-009 | 204827 | 5 | 4 | 323-642-001 | 201037 | 15 | 3 | 323-676-251 | 204114 | 23 | 15 |
| 323-627-010 | 204828 | 3 | 16 | 323-642-002 | 201068 | 17 | 41 | 323-676-251 | 204114 | 23 | 26 |
| 323-627-018 | 208482 | 5 | 41 | 323-642-003 | 201086 | 15 | | 323-676-261 | 204129A | 23 | 35 |
| 323-627-018 | 208482 | 7 | 16 | 323-642-003 | 201086 | 19 | 27 | 323-676-263 | 204627A | 13 | 23 |
| 323-627-019 | 208339 | 7 | 17 | 323-643-001 | 201156 | 27 | 13 | 323-677-046 | 208293 | 19 | 16 |
| 323-627-208 | 202903 | 31 | 5 | 323-646-001 | 204019A | 9 | 18 | 323-680-001 | 201139 | 5 | 15 |
| 323-628-002 | 204871 | 7 | 42 | 323-646-003 | 204681 | 7 | 3 | 323-680-001 | 201139 | 5 | 35 |
| 323-629-201 | 202645 | 27 | 36 | 323-646-004 | 204868 | 7 | 45 | 323-680-007 | 204754 | 21 | 37 |
| 323-630-001 | 3044 | 5 | 32 | 323-646-005 | 204867 | 7 | 51 | 323-680-011 | 208271 | 9 | 25 |
| 323-630-001 | 3044 | 27 | 3 | 323-646-006 | 205467 | 35 | 5 | 323-680-207 | 201635 | 25 | 10 |
| 323-630-001 | 3044 | 41 | 41 | 323-649-001 | 201009 | 29 | 8 | 323-680-208 | 204150 | 25 | 9 |
| 323-630-001 | 3044 | 45 | 9 | 323-649-003 | 204631 | 15 | 15 | 323-680-210 | 205068 | 41 | 7 |
| 323-630-003 | 3091 | 41 | 24 | 323-650-001 | 208449 | 15 | 6 | 323-683-013 | 204638 | 25 | 16 |
| 323-630-003 | 5099 | 15 | 28 | 323-650-001 | 208449 | 17 | 44 | 323-683-014 | 204759 | 25 | 30 |
| 323-630-013 | 5348 | 41 | 50 | 323-650-001 | 208449 | 19 | 30 | 323-683-015 | 204830 | 43 | 4 |
| 323-630-017 | 204870 | 21 | 52 | 323-653-003 | 202081 | 9 | 3 | 323-683-018 | 208427 | 13 | 7 |
| 323-630-018 | 222 | 37 | 8 | 323-653-004 | 204618 | 23 | 10 | 323-683-213 | 204155 | 43 | 6 |
| 323-630-019 | 226 | 37 | 12 | 323-653-005 | 202176 | 13 | 27 | 323-683-214 | 204189 | 29 | 24 |
| 323-630-020 | 231 | 37 | 17 | 323-653-006 | 204270 | 33 | 12 | 323-685-008 | 204148B | 25 | 7 |
| 323-630-020 | 231 | 37 | 20 | 323-653-006 | 204270 | 33 | 24 | 323-685-012 | 204758 | 25 | 19 |
| 323-630-020 | 231 | 37 | 23 | 323-653-007 | 204465 | 33 | 25 | 323-685-013 | 227 | 37 | 13 |
| 323-630-020 | 231 | 37 | 26 | 323-653-017 | 208561 | 15 | 24 | 323-685-014 | 238 | 37 | |
| 323-630-021 | 236 | 37 | 28 | 323-653-018 | 208562 | 15 | 25 | 323-685-016 | 260 | 37 | 31 |
| 323-630-021 | 236 | 37 | 30 | 323-653-019 | 208617 | 13 | 26 | 323-685-017 | 261 | 37 | |
| 323-630-032 | 5404 | 23 | 13 | 323-653-209 | 204274 | 17 | 28 | 323-685-018 | 262 | 37 | |
| 323-630-033 | 208447 | 15 | 1 | 323-655-002 | 201338 | 29 | 17 | 323-685-022 | 208525 | 27 | 8 |
| 323-630-033 | 208447 | 17 | 39 | 323-655-007 | 204794A | 3 | 21 | 323-685-213 | 200155 | 31 | 13 |

CROSS NUMBER INDEX

(new product code numbers vs part numbers)

| NEW PRODUCT CODE NO. | PART NO. | PAGE | REF NO. | NEW PRODUCT CODE NO. | PART NO. | PAGE | REF NO. | NEW PRODUCT CODE NO. | PART NO. | PAGE | REF NO. |
|-------------------------|----------|------|------------|-------------------------|----------|------|------------|-------------------------|----------|------|------------|
| 323-685-213 | 200155 | 33 | 23 | 323-800-056 | 208289 | 3 | 22 | 323-801-346 | 205233 | 48 | |
| 323-685-243 | 205103 | 41 | 30 | 323-800-057 | 208317 | 5 | 1 | 323-801-347 | 205234 | 48 | |
| 323-686-002 | 204588 | 23 | 11 | 323-800-058 | 208296 | 17 | 24 | 323-801-360 | 205239 | 46 | |
| 323-692-034 | 208440 | 3 | 20 | 323-800-061 | 208430 | 5 | 11 | 323-801-360 | 205239 | 48 | |
| 323-692-035 | 208441 | 3 | | 323-800-062 | 208563 | 15 | 26 | 323-801-361 | 205240 | 46 | |
| 323-692-036 | 208442 | 3 | | 323-800-063 | 208208 | 21 | 12 | 323-801-361 | 205240 | 48 | |
| 323-692-037 | 208444 | 3 | | 323-800-064 | 208209 | 21 | 13 | 323-801-362 | 205241 | 46 | |
| 323-692-201 | 202526 | 3 | 25 | 323-800-065 | 208487 | 33 | 6 | 323-801-362 | 205241 | 48 | |
| 323-692-256 | 204450 | 7 | 11 | 323-800-215 | 202849 | 15 | 8 | 323-801-363 | 205242 | 46 | |
| 323-710-003 | 204929 | 27 | 47 | 323-800-215 | 202849 | 17 | 46 | 323-801-363 | 205242 | 48 | |
| 323-713-003 | 208260 | 31 | 16 | 323-800-215 | 202849 | 19 | 32 | 323-801-364 | 205243 | 50 | |
| 323-716-011 | 208273 | 23 | 18 | 323-800-224 | 204021 | 9 | 20 | 323-801-364 | 205243 | 54 | |
| 323-716-013 | 208410 | 21 | 19 | 323-800-235 | 204495 | 41 | 16 | 323-801-365 | 205244 | 50 | |
| 323-716-014 | 208547 | 27 | 14 | 323-801-026 | 202542E | 46 | | 323-802-015 | 208611 | 5 | 13 |
| 323-716-209 | 202683 | 27 | 44 | 323-801-026 | 202542E | 48 | | 323-802-016 | 208612 | 5 | 33 |
| 323-728-004 | 194 | 41 | 39 | 323-801-027 | 202546E | 46 | | 323-810-008 | 204663 | 50 | |
| 323-728-008 | 208008 | 7 | 23 | 323-801-027 | 202546E | 48 | | 323-810-008 | 204663 | 52 | |
| 323-730-011 | 204111A | 23 | 9 | 323-801-028 | 202596E | 46 | | 323-810-009 | 204702 | 46 | |
| 323-730-012 | 208425 | 13 | 4 | 323-801-028 | 202596E | 48 | | 323-810-009 | 204702 | 48 | |
| 323-730-214 | 204140A | 21 | 41 | 323-801-029 | 202597E | 46 | | 323-810-009 | 204702 | 52 | |
| 323-732-001 | 126 | 39 | 18 | 323-801-029 | 202597E | 48 | | 323-810-011 | 204704 | 46 | |
| 323-732-002 | 199 | 41 | 53 | 323-801-030 | 202554E | 50 | | 323-810-110 | 204703 | 48 | |
| 323-734-003 | 204742 | 5 | 17 | 323-801-030 | 202554E | 54 | | 323-810-216 | 204072 | 19 | 22 |
| 323-734-204 | 204218 | 5 | 37 | 323-801-031 | 202499E | 50 | | 323-810-218 | 204062 | 46 | |
| 323-736-200 | 204196 | 31 | 12 | 323-801-038 | 202616 | 46 | | 323-810-218 | 204062 | 48 | |
| 323-740-012 | 201485 | 45 | 6 | 323-801-039 | 202617 | 46 | | 323-810-227 | 204963 | 54 | |
| 323-740-016 | 202705A | 13 | 9 | 323-801-041 | 204731 | 48 | | 323-810-228 | 204964 | 54 | |
| 323-740-017 | 204750 | 15 | 17 | 323-801-042 | 204797 | 48 | | 323-810-231 | 204990 | 43 | 42 |
| 323-740-018 | 204636 | 11 | 23 | 323-801-042 | 204797 | 48 | | 323-810-232 | 204991 | 43 | 43 |
| 323-740-019 | 204744 | 5 | 23 | 323-801-043 | 204910 | 54 | | 323-820-013 | 205135 | 47 | |
| 323-740-034 | 229 | 37 | 15 | 323-801-044 | 204911 | 54 | | 323-820-014 | 205136 | 47 | |
| 323-740-035 | 219 | 37 | 4 | 323-801-045 | 204913 | 46 | | 323-820-014 | 205136 | 51 | |
| 323-740-036 | 220 | 37 | 6 | 323-801-047 | 205255 | 50 | | 323-820-014 | 205136 | 55 | |
| 323-740-037 | 204762 | 11 | 27 | 323-801-047 | 205255 | 54 | | 323-820-019 | 201230C | 47 | |
| 323-740-039 | 205316 | 43 | 24 | 323-801-048 | 205256 | 54 | | 323-820-019 | 201230C | 49 | |
| 323-740-040 | 205335 | 43 | 9 | 323-801-049 | 205257 | 54 | | 323-820-019 | 201230C | 51 | |
| 323-740-061 | 204887 | 43 | 28 | 323-801-062 | 205320 | 46 | | 323-820-019 | 201230C | 53 | |
| 323-740-062 | 205470 | 35 | 7 | 323-801-063 | 205321 | 46 | | 323-820-019 | 201230C | 55 | |
| 323-740-228 | 204452 | 45 | 3 | 323-801-064 | 205322 | 46 | | 323-820-019 | 201230C | 55 | |
| 323-740-229 | 204451 | 41 | 19 | 323-801-065 | 205323 | 46 | | 323-820-021 | 201152E | 47 | |
| 323-740-229 | 204451 | 45 | 1 | 323-801-066 | 205324 | 46 | | 323-820-022 | 201473B | 47 | |
| 323-750-002 | 201107 | 23 | 38 | 323-801-067 | 205325 | 46 | | 323-820-028 | 205314 | 43 | 22 |
| 323-750-003 | 204810 | 23 | 37 | 323-801-068 | 205326 | 46 | | 323-820-029 | 205328 | 43 | 14 |
| 323-750-006 | 233 | 37 | 21 | 323-801-069 | 205327 | 46 | | 323-820-030 | 205329 | 43 | 19 |
| 323-750-010 | 204886 | 43 | 27 | 323-801-083 | 208030 | 52 | | 323-820-285 | 205252 | 49 | |
| 323-750-204 | 205069 | 41 | 9 | 323-801-083 | 208030 | 54 | | 323-820-286 | 202799 | 47 | |
| 323-750-205 | 205104 | 41 | 28 | 323-801-084 | 208031 | 52 | | 323-820-286 | 202799 | 49 | |
| 323-756-003 | 204632 | 15 | 20 | 323-801-084 | 208031 | 54 | | 323-820-286 | 202799 | 53 | |
| 323-756-004 | 205318 | 43 | 11 | 323-801-085 | 208032 | 52 | | 323-820-287 | 205253 | 49 | |
| 323-758-004 | 202281 | 43 | 45 | 323-801-086 | 208033 | 52 | | 323-820-287 | 205253 | 51 | |
| 323-758-004 | 202281 | 43 | 45 | 323-801-086 | 208033 | 52 | | 323-820-287 | 205253 | 53 | |
| 323-764-001 | 201294 | 29 | 5 | 323-801-087 | 208034 | 52 | | 323-820-287 | 205253 | 55 | |
| 323-764-002 | 201295 | 29 | 6 | 323-801-087 | 208034 | 52 | | 323-830-033 | 204676 | 46 | |
| 323-774-002 | 205468 | 35 | 9 | 323-801-088 | 208035 | 52 | | 323-830-033 | 204676 | 48 | |
| 323-774-003 | 205469 | 35 | 10 | 323-801-088 | 208035 | 52 | | 323-830-033 | 204676 | 54 | |
| 323-780-009 | 208173 | 3 | 15 | 323-801-089 | 208036 | 52 | | 323-830-034 | 204693 | 48 | |
| 323-780-009 | 208173 | 17 | 32 | 323-801-090 | 208037 | 52 | | 323-830-035 | 204722 | 48 | |
| 323-780-010 | 208450 | 15 | 4 | 323-801-091 | 208038 | 52 | | 323-830-036 | 204724 | 46 | |
| 323-780-010 | 208450 | 17 | 42 | 323-801-128 | 208322 | 52 | | 323-830-036 | 204724 | 50 | |
| 323-780-010 | 208450 | 19 | 28 | 323-801-129 | 208323 | 52 | | 323-830-036 | 204724 | 54 | |
| 323-780-011 | 208320 | 9 | 32 | 323-801-130 | 208324 | 52 | | 323-830-037 | 204677 | 46 | |
| 323-780-012 | 208621 | 13 | 28 | 323-801-131 | 208325 | 52 | | 323-830-037 | 204677 | 48 | |
| 323-780-013 | 208592 | 17 | 35 | 323-801-132 | 208326 | 52 | | 323-830-037 | 204677 | 50 | |
| 323-780-014 | 204895 | 43 | 41 | 323-801-133 | 208327 | 52 | | 323-830-037 | 204677 | 54 | |
| 323-787-005 | 208207 | 21 | 10 | 323-801-222 | 202618 | 46 | | 323-830-054 | 204674 | 46 | |
| 323-800-006 | 201293A | 29 | 3 | 323-801-340 | 205235 | 48 | | 323-830-054 | 204674 | 48 | |
| 323-800-026 | 204646 | 7 | 32 | 323-801-341 | 205236 | 48 | | 323-830-054 | 204674 | 50 | |
| 323-800-036 | 204142B | 21 | 48 | 323-801-342 | 205237 | 48 | | 323-830-054 | 204674 | 52 | |
| 323-800-041 | 243 | 37 | 5 | 323-801-343 | 205238 | 48 | | 323-830-054 | 204674 | 54 | |
| 323-800-053 | 208110 | 23 | 45 | 323-801-344 | 205231 | 48 | | 323-830-056 | 204679 | 48 | |
| 323-800-055 | 208341 | 5 | 5 | 323-801-345 | 205232 | 48 | | 323-830-057 | 204690 | 46 | |

(1) MISCELLANEOUS COVERS



CROSS NUMBER INDEX

(new product code numbers vs part numbers)

| NEW PRODUCT | | | | NEW PRODUCT | | | | NEW PRODUCT | | | |
|-------------|-----------|------|---------|-------------|-----------|------|---------|-------------|-----------|------|---------|
| CODE NO. | PART. NO. | PAGE | REF NO. | CODE NO. | PART. NO. | PAGE | REF NO. | CODE NO. | PART. NO. | PAGE | REF NO. |
| 323-830-057 | 204690 | 48 | | 323-863-016 | 208050 | 55 | | 325-627-002 | 192107-1 | 7 | 12 |
| 323-830-057 | 204690 | 54 | | 323-863-017 | 204906 | 43 | 44 | 325-630-002 | 5104 | 43 | 32 |
| 323-830-058 | 204691 | 48 | | 323-863-201 | 201310A | 51 | | 325-630-004 | 206336 | 35 | 3 |
| 323-830-058 | 204691 | 54 | | 323-863-201 | 201310A | 53 | | | | | |
| 323-830-059 | 204730 | 46 | | 323-863-201 | 201310A | 55 | | | | | |
| 323-830-059 | 204730 | 54 | | 323-863-215 | 201396B | 51 | | | | | |
| 323-830-060 | 204907 | 46 | | 323-863-215 | 201396B | 53 | | | | | |
| 323-830-086 | 208039 | 52 | | 323-863-215 | 201396B | 55 | | | | | |
| 323-830-087 | 208040 | 52 | | 323-863-217 | 201155C | 47 | | | | | |
| 323-830-087 | 208040 | 54 | | 323-866-005 | 204786 | 19 | 33 | | | | |
| | | | | | | | | | | | |
| 323-830-088 | 208041 | 52 | | 323-866-013 | 204902 | 17 | 49 | | | | |
| 323-830-091 | 208044 | 52 | | 323-866-016 | 208445 | 17 | 47 | | | | |
| 323-830-091 | 208044 | 54 | | 323-866-214 | 202706A | 13 | 15 | | | | |
| 323-830-092 | 208095 | 52 | | 323-870-004 | 204835 | 43 | 2 | | | | |
| 323-830-093 | 204692A | 48 | | 323-870-005 | 202527A | 25 | 13 | | | | |
| 323-830-094 | 204678A | 48 | | 323-870-210 | 202295 | 25 | 28 | | | | |
| 323-830-094 | 204678A | 54 | | 323-870-210 | 202295 | 46 | | | | | |
| 323-830-096 | 204675A | 46 | | 323-870-210 | 202295 | 48 | | | | | |
| 323-830-096 | 204675A | 48 | | 323-870-210 | 202295 | 50 | | | | | |
| 323-830-096 | 204675A | 54 | | 323-870-210 | 202295 | 52 | | | | | |
| | | | | | | | | | | | |
| 323-830-097 | 204721A | 48 | | 323-870-210 | 202295 | 54 | | | | | |
| 323-830-103 | 204729A | 46 | | 323-870-211 | 201127 | 25 | 29 | | | | |
| 323-830-103 | 204729A | 54 | | 323-870-211 | 201127 | 46 | | | | | |
| 323-830-108 | 204723A | 46 | | 323-870-211 | 201127 | 48 | | | | | |
| 323-830-108 | 204723A | 50 | | 323-870-211 | 201127 | 50 | | | | | |
| 323-830-108 | 204723A | 54 | | 323-870-211 | 201127 | 52 | | | | | |
| 323-830-134 | 208336 | 46 | | 323-870-211 | 201127 | 54 | | | | | |
| 323-830-135 | 208337 | 46 | | 323-870-214 | 201121A | 25 | 12 | | | | |
| 323-830-136 | 208338 | 46 | | 323-870-217 | 204152 | 43 | 1 | | | | |
| 323-850-021 | 202495 | 13 | 10 | 323-873-001 | 201308 | 27 | 6 | | | | |
| | | | | | | | | | | | |
| 323-850-022 | 204667 | 45 | 10 | 323-875-001 | 205137 | 41 | 1 | | | | |
| 323-850-023 | 204747 | 5 | 27 | 323-875-003 | 204966 | 43 | 26 | | | | |
| 323-850-028 | 204896 | 45 | | 323-880-005 | 200 | 39 | 14 | | | | |
| 323-850-031 | 228 | 37 | 14 | 323-880-010 | 282 | 39 | 9 | | | | |
| 323-850-032 | 205319 | 43 | 13 | 323-880-011 | 283 | 39 | 8 | | | | |
| 323-850-033 | 205315 | 43 | 23 | 323-880-012 | 284 | 39 | 7 | | | | |
| 323-850-034 | 205330 | 43 | 15 | 323-880-013 | 285 | 39 | 6 | | | | |
| 323-850-035 | 205331 | 43 | 16 | 323-880-014 | 286 | 39 | 5 | | | | |
| 323-850-036 | 205332 | 43 | 17 | 323-880-214 | 182 | 39 | 13 | | | | |
| 323-850-044 | 208096 | 25 | 25 | 323-882-201 | 204003 | 3 | 14 | | | | |
| | | | | | | | | | | | |
| 323-850-049 | 208108 | 23 | 39 | 323-885-001 | 127 | 39 | 10 | | | | |
| 323-850-050 | 208107A | 23 | 41 | 323-885-002 | 128 | 39 | 11 | | | | |
| 323-850-055 | 208479 | 27 | 32 | 323-885-200 | 179 | 39 | 12 | | | | |
| 323-850-056 | 204891 | 43 | 36 | 323-886-001 | 131 | 39 | 15 | | | | |
| 323-850-057 | 208481 | 7 | 14 | 323-891-002 | 204649 | 7 | 41 | | | | |
| 323-850-200 | 201074A | 17 | 7 | 323-891-004 | 208340 | 7 | 53 | | | | |
| 323-850-200 | 201074A | 19 | 4 | 323-891-200 | 204143A | 21 | 50 | | | | |
| 323-850-221 | 200041 | 13 | 12 | 323-900-012 | 204593 | 29 | | | | | |
| 323-850-247 | 204160A | 25 | 24 | 323-900-014 | 204882 | 41 | | | | | |
| 323-850-258 | 205091 | 41 | 35 | 323-900-045 | 208488 | 15 | | | | | |
| | | | | | | | | | | | |
| 323-851-010 | 204656 | 17 | 54 | 323-900-046 | 208489 | 15 | | | | | |
| 323-851-018 | 204905 | 17 | 52 | 323-900-046 | 208489 | 19 | 24 | | | | |
| 323-851-020 | 237 | 37 | 29 | 323-900-047 | 208490 | 17 | 38 | | | | |
| 323-851-021 | 235 | 37 | 27 | 323-900-048 | 208491 | 15 | 9 | | | | |
| 323-851-022 | 208102 | 17 | 27 | 323-900-050 | 208411 | 21 | | | | | |
| 323-851-024 | 208307 | 15 | 10 | 323-900-051 | 208416 | 21 | | | | | |
| 323-851-025 | 208400 | 11 | 15 | 323-900-053 | 204898 | 43 | | | | | |
| 323-851-217 | 193174 | 19 | 35 | 323-900-224 | 192 | 41 | | | | | |
| 323-851-222 | 202704 | 11 | 14 | 323-902-020 | 204188 | 29 | 21 | | | | |
| 323-854-200 | 201265B | 47 | | 323-940-003 | 288 | 37 | | | | | |
| | | | | | | | | | | | |
| 323-854-200 | 201265B | 49 | | 323-940-004 | 289 | 37 | | | | | |
| 323-854-200 | 201265B | 51 | | 323-940-005 | 290 | 37 | | | | | |
| 323-854-200 | 201265B | 53 | | 323-940-006 | 291 | 37 | | | | | |
| 323-860-200 | 201048A | 7 | 37 | 323-945-001 | 205466 | 35 | 1 | | | | |
| 323-860-200 | 201048A | 7 | 39 | 323-945-003 | 135A | 39 | 3 | | | | |
| 323-863-007 | 201224B | 47 | | 323-945-007 | 178 | 39 | 4 | | | | |
| 323-863-007 | 201224B | 49 | | 323-945-009 | 205216 | 39 | 21 | | | | |
| 323-863-015 | 208049 | 53 | | 323-945-014 | 205473 | 35 | 2 | | | | |
| 323-863-015 | 208049 | 55 | | 323-945-015 | 134 | 39 | 1 | | | | |
| 323-863-016 | 208050 | 53 | | 325-640-011 | 5167 | 27 | 5 | | | | |

CROSS NUMBER INDEX

(part numbers vs new product code numbers)

| NEW PRODUCT | | | | NEW PRODUCT | | | | NEW PRODUCT | | | |
|-------------|-------------|------|---------|-------------|-------------|------|---------|-------------|-------------|------|---------|
| PART. NO. | CODE NO. | PAGE | REF NO. | PART. NO. | CODE NO. | PAGE | REF NO. | PART. NO. | CODE NO. | PAGE | REF NO. |
| 126 | 323-732-001 | 39 | 18 | 1156 | 323-600-200 | 19 | 5 | 2921 | 323-600-026 | 27 | 15 |
| 127 | 323-885-001 | 39 | 10 | 1170 | 323-600-226 | 41 | 23 | 2921 | 323-600-026 | 43 | 25 |
| 128 | 323-885-002 | 39 | 11 | 1170-1 | 323-600-020 | 17 | 3 | 2922 | 323-600-229 | 7 | 4 |
| 131 | 323-886-001 | 39 | 15 | 1170-1 | 323-600-020 | 19 | 3 | 2922 | 323-600-229 | 23 | 50 |
| 134 | 323-945-015 | 39 | 1 | 1170-1 | 323-600-020 | 41 | 34 | 3001 | 323-600-059 | 29 | 25 |
| 135A | 323-945-003 | 39 | 3 | 1170-3 | 323-600-046 | 13 | 8 | 3044 | 323-630-001 | 5 | 32 |
| 137 | 323-659-015 | 39 | 2 | 1174 | 323-600-027 | 9 | 14 | 3044 | 323-630-001 | 27 | 3 |
| 153 | 323-660-200 | 39 | 16 | 1175-2 | 323-600-002 | 11 | 28 | 3044 | 323-630-001 | 41 | 41 |
| 175 | 323-600-321 | 35 | 8 | 1175-2 | 323-600-002 | 17 | 33 | 3044 | 323-630-001 | 45 | 9 |
| 178 | 323-945-007 | 39 | 4 | 1175-2 | 323-600-002 | 23 | 48 | 3091 | 323-630-003 | 41 | 24 |
| 179 | 323-885-200 | 39 | 12 | 1175-2 | 323-600-002 | 25 | 17 | 3119 | 323-630-213 | 13 | 18 |
| 182 | 323-880-214 | 39 | 13 | 1175-2 | 323-600-002 | 25 | 26 | 4009-1 | 323-600-014 | 5 | 3 |
| 192 | 323-900-224 | 41 | | 1175-2 | 323-600-002 | 43 | 37 | 4009-1 | 323-600-014 | 5 | 12 |
| 193 | 323-530-100 | 41 | 38 | 1175-2 | 323-600-002 | 45 | 13 | 4009-1 | 323-600-014 | 7 | 2 |
| 194 | 323-728-004 | 41 | 39 | 1175-3 | 323-600-019 | 11 | 24 | 4009-1 | 323-600-014 | 7 | 10 |
| 195 | 323-620-100 | 41 | 45 | 1175-3 | 323-600-019 | 19 | 23 | 4009-1 | 323-600-014 | 11 | 16 |
| 196 | 323-640-100 | 41 | 47 | 1175-3 | 323-600-019 | 21 | 18 | 4009-1 | 323-600-014 | 15 | 14 |
| 197 | 323-505-100 | 41 | 48 | 1175-3 | 323-600-019 | 41 | 31 | 4009-1 | 323-600-014 | 23 | 3 |
| 198 | 323-665-001 | 41 | 52 | 1189 | 323-600-301 | 7 | 22 | 5002 | 323-600-011 | 25 | 20 |
| 199 | 323-732-002 | 41 | 53 | 1189 | 323-600-301 | 23 | 52 | 5010 | 323-600-010 | 9 | 33 |
| 200 | 323-880-005 | 39 | 14 | 1196 | 323-600-029 | 21 | 14 | 5010 | 323-600-010 | 25 | 27 |
| 216 | 323-535-001 | 37 | 1 | 1202 | 323-600-032 | 5 | 24 | 5012 | 323-600-255 | 17 | 55 |
| 217 | 323-500-118 | 37 | 2 | 1202 | 323-600-032 | 27 | 42 | 5012 | 323-600-255 | 33 | 7 |
| 218 | 323-535-002 | 37 | 3 | 1202 | 323-600-032 | 45 | 11 | 5019 | 323-600-247 | 35 | 11 |
| 219 | 323-740-035 | 37 | 4 | 1206 | 323-600-021 | 11 | 19 | 5029 | 323-600-256 | 23 | 23 |
| 220 | 323-740-036 | 37 | 6 | 1206 | 323-600-021 | 11 | 22 | 5029 | 323-600-256 | 27 | 38 |
| 221 | 323-600-119 | 37 | 7 | 1206 | 323-600-021 | 33 | 18 | 5030 | 323-600-202 | 27 | 17 |
| 222 | 323-630-018 | 37 | 8 | 1216 | 323-600-068 | 5 | 38 | 5053 | 323-600-015 | 5 | 28 |
| 223 | 323-620-024 | 37 | 9 | 1216 | 323-600-068 | 7 | 28 | 5053 | 323-600-015 | 13 | 25 |
| 224 | 323-615-028 | 37 | 10 | 1216 | 323-600-068 | 21 | 47 | 5060 | 323-600-004 | 25 | 11 |
| 225 | 323-617-001 | 37 | 11 | 1216 | 323-600-068 | 41 | 36 | 5060 | 323-600-004 | 29 | 12 |
| 226 | 323-630-019 | 37 | 12 | 1229 | 323-600-016 | 41 | 14 | 5064 | 323-600-025 | 41 | 5 |
| 227 | 323-685-013 | 37 | 13 | 1231 | 323-600-051 | 27 | 19 | 5077 | 323-600-307 | 43 | 18 |
| 228 | 323-850-031 | 37 | 14 | 1234 | 323-600-006 | 7 | 8 | 5078 | 323-600-001 | 3 | 6 |
| 229 | 323-740-034 | 37 | 15 | 1234 | 323-600-006 | 43 | 10 | 5080 | 323-600-008 | 9 | 28 |
| 230 | 323-600-120 | 37 | 16 | 1234 | 323-600-006 | 43 | 12 | 5081 | 323-600-009 | 9 | 29 |
| 230 | 323-600-120 | 37 | 19 | 1333 | 323-600-048 | 27 | 7 | 5082A | 323-604-201 | 15 | 7 |
| 230 | 323-600-120 | 37 | 22 | 1435 | 323-600-069 | 5 | 20 | 5082A | 323-604-201 | 17 | 45 |
| 230 | 323-600-120 | 37 | 25 | 1457 | 323-600-012 | 13 | 30 | 5082A | 323-604-201 | 19 | 31 |
| 231 | 323-630-020 | 37 | 17 | 1457 | 323-600-012 | 27 | 24 | 5084 | 323-600-013 | 5 | 16 |
| 231 | 323-630-020 | 37 | 20 | 1458 | 323-600-037 | 25 | 4 | 5084 | 323-600-013 | 5 | 36 |
| 231 | 323-630-020 | 37 | 23 | 1458 | 323-600-037 | 29 | 10 | 5084 | 323-600-013 | 11 | 13 |
| 231 | 323-630-020 | 37 | 26 | 1459 | 323-600-034 | 5 | 21 | 5084 | 323-600-013 | 17 | 23 |
| 233 | 323-750-006 | 37 | 21 | 1459 | 323-600-034 | 43 | 35 | 5084 | 323-600-013 | 17 | 31 |
| 235 | 323-651-021 | 37 | 27 | 1998-2 | 323-600-024 | 17 | 37 | 5084 | 323-600-013 | 21 | 3 |
| 236 | 323-630-021 | 37 | 28 | 2022 | 323-600-043 | 3 | 3 | 5084 | 323-600-013 | 21 | 38 |
| 236 | 323-630-021 | 37 | 30 | 2022 | 323-600-043 | 9 | 12 | 5084 | 323-600-013 | 23 | 6 |
| 237 | 323-851-020 | 37 | 29 | 2022 | 323-600-043 | 13 | 3 | 5084 | 323-600-013 | 23 | 32 |
| 238 | 323-685-014 | 37 | | 2022 | 323-600-043 | 29 | 14 | 5088 | 323-600-044 | 25 | 14 |
| 239 | 323-600-121 | 37 | 32 | 2022-4 | 323-600-022 | 13 | 2 | 5089 | 323-600-050 | 27 | 12 |
| 240 | 323-505-009 | 37 | 33 | 2022-4 | 323-600-022 | 17 | 6 | 5091 | 323-600-257 | 7 | 44 |
| 241 | 323-600-122 | 37 | 34 | 2022-4 | 323-600-022 | 19 | 10 | 5091 | 323-600-257 | 7 | 49 |
| 242 | 323-600-123 | 37 | 35 | 2022-4 | 323-600-022 | 27 | 26 | 5091 | 323-600-257 | 15 | 21 |
| 243 | 323-600-041 | 37 | 5 | 2133-1 | 323-600-215 | 23 | 36 | 5094 | 323-600-072 | 7 | 30 |
| 245 | 323-533-005 | 39 | 17 | 2133-1 | 323-600-215 | 27 | 22 | 5094 | 323-600-072 | 7 | 34 |
| 260 | 323-685-016 | 37 | 31 | 2193 | 323-600-271 | 17 | 12 | 5094 | 323-600-072 | 29 | 16 |
| 261 | 323-685-017 | 37 | | 2193 | 323-600-271 | 19 | 13 | 5099 | 323-630-003 | 15 | 28 |
| 262 | 323-685-018 | 37 | | 2193 | 323-600-271 | 25 | 31 | 5104 | 325-630-002 | 43 | 32 |
| 282 | 323-880-010 | 39 | 9 | 2193 | 323-600-271 | 41 | 17 | 5113 | 323-600-039 | 7 | 52 |
| 283 | 323-880-011 | 39 | 8 | 2193 | 323-600-271 | 45 | 4 | 5117 | 323-600-057 | 3 | 24 |
| 284 | 323-880-012 | 39 | 7 | 2213 | 323-600-237 | 41 | 8 | 5117 | 323-600-057 | 5 | 7 |
| 285 | 323-880-013 | 39 | 6 | 2213-1 | 323-600-056 | 17 | 2 | 5117 | 323-600-057 | 5 | 10 |
| 286 | 323-880-014 | 39 | 5 | 2213-1 | 323-600-056 | 19 | 2 | 5117 | 323-600-057 | 9 | 22 |
| 288 | 323-940-003 | 37 | | 2902 | 323-600-259 | 7 | 46 | 5117 | 323-600-057 | 15 | 23 |
| 289 | 323-940-004 | 37 | | 2902 | 323-600-259 | 17 | 48 | 5117 | 323-600-057 | 25 | 23 |
| 290 | 323-940-005 | 37 | | 2902 | 323-600-259 | 19 | 34 | 5117 | 323-600-057 | 29 | 4 |
| 291 | 323-940-006 | 37 | | 2905 | 323-600-074 | 17 | 53 | 5117 | 323-600-057 | 29 | 20 |
| 292 | 323-535-005 | 37 | 18 | 2905 | 323-600-074 | 45 | 15 | 5117 | 323-600-057 | 29 | 22 |
| 293 | 323-590-004 | 37 | 24 | 2913-2 | 323-600-316 | 27 | 50 | 5117 | 323-600-057 | 33 | 5 |
| 1156 | 323-600-200 | 17 | 8 | 2921 | 323-600-026 | 17 | 50 | 5117 | 323-600-057 | 33 | 16 |

CROSS NUMBER INDEX

(part numbers vs new product code numbers)

| NEW PRODUCT | | | | NEW PRODUCT | | | | NEW PRODUCT | | | |
|-------------|-------------|------|---------|-------------|-------------|------|---------|-------------|-------------|------|---------|
| PART. NO. | CODE NO. | PAGE | REF NO. | PART. NO. | CODE NO. | PAGE | REF NO. | PART. NO. | CODE NO. | PAGE | REF NO. |
| 5117 | 323-600-057 | 39 | 23 | 5347 | 323-605-003 | 41 | 49 | 201127 | 323-870-211 | 46 | |
| 5117 | 323-600-057 | 41 | 20 | 5348 | 323-630-013 | 41 | 50 | 201127 | 323-870-211 | 48 | |
| 5117 | 323-600-057 | 41 | 22 | 5357 | 323-600-098 | 15 | 18 | 201127 | 323-870-211 | 50 | |
| 5117 | 323-600-057 | 43 | 29 | 5359 | 323-600-091 | 13 | 11 | 201127 | 323-870-211 | 52 | |
| 5117 | 323-600-057 | 45 | 2 | 5361 | 323-600-097 | 9 | 6 | 201127 | 323-870-211 | 54 | |
| 5118 | 323-600-060 | 21 | 45 | 5362 | 323-600-099 | 5 | 19 | 201139 | 323-680-001 | 5 | 15 |
| 5118 | 323-600-060 | 21 | 49 | 5366 | 323-600-124 | 21 | 27 | 201139 | 323-680-001 | 5 | 35 |
| 5118 | 323-600-060 | 27 | 45 | 5366 | 323-600-124 | 43 | 21 | 201152E | 323-820-021 | 47 | |
| 5118 | 323-600-060 | 33 | 3 | 5371 | 323-600-108 | 43 | 3 | 201155C | 323-863-217 | 47 | |
| 5118 | 323-600-060 | 41 | 43 | 5380 | 323-604-019 | 43 | 31 | 201156 | 323-643-001 | 27 | 13 |
| 5136 | 323-600-245 | 9 | 9 | 5381 | 323-600-136 | 11 | 7 | 201185 | 323-615-012 | 45 | 16 |
| 5136 | 323-600-245 | 11 | 26 | 5381 | 323-600-136 | 21 | 6 | 201191 | 323-615-015 | 45 | 8 |
| 5136 | 323-600-245 | 27 | 9 | 5381 | 323-600-136 | 21 | 40 | 201211A | 323-400-001 | 45 | 14 |
| 5137 | 323-630-202 | 7 | 31 | 5381 | 323-600-136 | 23 | 8 | 201224B | 323-863-007 | 47 | |
| 5137 | 323-630-202 | 15 | 12 | 5381 | 323-600-136 | 23 | 20 | 201224B | 323-863-007 | 49 | |
| 5137 | 323-630-202 | 41 | 11 | 5381 | 323-600-136 | 25 | 6 | 201230C | 323-820-019 | 47 | |
| 5138B | 323-600-354 | 31 | 18 | 5404 | 323-630-032 | 23 | 13 | 201230C | 323-820-019 | 49 | |
| 5141 | 323-600-087 | 23 | 24 | 5412 | 323-600-134 | 21 | 30 | 201230C | 323-820-019 | 51 | |
| 5142 | 323-600-054 | 43 | 5 | 5439 | 323-605-008 | 35 | 4 | 201230C | 323-820-019 | 53 | |
| 5143A | 323-604-235 | 15 | 11 | 5441 | 323-600-140 | 5 | 31 | 201230C | 323-820-019 | 55 | |
| 5145 | 323-600-326 | 29 | 2 | 9070-2 | 323-600-224 | 13 | 14 | 201265B | 323-854-200 | 47 | |
| 5146 | 323-600-264 | 7 | 26 | 137142 | 323-615-017 | 41 | 42 | 201265B | 323-854-200 | 49 | |
| 5147 | 323-600-206 | 7 | 36 | 137142 | 323-615-017 | 41 | 44 | 201265B | 323-854-200 | 51 | |
| 5147 | 323-600-206 | 17 | 25 | 137906 | 323-615-018 | 7 | 29 | 201265B | 323-854-200 | 53 | |
| 5150B | 323-605-006 | 31 | 20 | 137906 | 323-615-018 | 41 | 37 | 201265B | 323-854-200 | 55 | |
| 5152 | 323-600-061 | 7 | 15 | 167066 | 323-615-211 | 25 | 15 | 201293A | 323-800-006 | 29 | 3 |
| 5163 | 323-600-328 | 3 | 10 | 167066 | 323-615-211 | 41 | 32 | 201294 | 323-764-001 | 29 | 5 |
| 5167 | 325-600-011 | 27 | 5 | 192107-1 | 325-627-002 | 7 | 12 | 201295 | 323-764-002 | 29 | 6 |
| 5179 | 323-600-329 | 3 | 17 | 193174 | 323-851-217 | 19 | 35 | 201308 | 323-873-001 | 27 | 6 |
| 5182 | 323-600-109 | 7 | 50 | 200030 | 323-634-204 | 13 | 29 | 201310A | 323-863-201 | 51 | |
| 5183 | 323-600-100 | 41 | 40 | 200041 | 323-850-221 | 13 | 12 | 201310A | 323-863-201 | 53 | |
| 5184 | 323-600-079 | 45 | 7 | 200136 | 323-636-200 | 31 | 10 | 201310A | 323-863-201 | 55 | |
| 5205 | 323-600-353 | 23 | 40 | 200136 | 323-636-200 | 33 | 10 | 201311 | 323-663-001 | 29 | 18 |
| 5205 | 323-600-353 | 23 | 43 | 200136 | 323-636-200 | 33 | 20 | 201323 | 323-600-062 | 31 | 4 |
| 5227 | 323-600-302 | 41 | 2 | 200137 | 323-604-222 | 33 | 9 | 201338 | 323-655-002 | 29 | 17 |
| 5231 | 323-600-309 | 23 | 16 | 200137 | 323-604-222 | 33 | 21 | 201341 | 323-508-002 | 29 | 19 |
| 5231 | 323-600-309 | 23 | 27 | 200138 | 323-615-209 | 31 | 3 | 201360B | 323-576-010 | 11 | 5 |
| 5232 | 323-600-314 | 5 | 40 | 200138 | 323-615-209 | 31 | 14 | 201395 | 323-640-228 | 27 | 40 |
| 5232 | 323-600-314 | 27 | 43 | 200138 | 323-615-209 | 33 | 11 | 201396B | 323-863-215 | 51 | |
| 5233 | 323-600-296 | 11 | 2 | 200138 | 323-615-209 | 33 | 22 | 201396B | 323-863-215 | 53 | |
| 5233 | 323-600-296 | 25 | 2 | 200140 | 323-639-205 | 31 | 9 | 201396B | 323-863-215 | 55 | |
| 5234 | 323-600-297 | 11 | 4 | 200152 | 323-604-209 | 31 | 2 | 201441B | 323-576-011 | 11 | 6 |
| 5237 | 323-600-327 | 3 | 9 | 200152 | 323-604-209 | 31 | 11 | 201473B | 323-820-022 | 47 | |
| 5238 | 323-600-294 | 9 | 23 | 200155 | 323-685-213 | 31 | 13 | 201482 | 323-613-001 | 15 | 5 |
| 5239 | 323-630-304 | 17 | 19 | 200155 | 323-685-213 | 33 | 23 | 201482 | 323-613-001 | 17 | 43 |
| 5240 | 323-600-293 | 9 | 15 | 200162A | 323-615-015 | 5 | 39 | 201482 | 323-613-001 | 19 | 29 |
| 5242 | 323-600-143 | 33 | 2 | 200183 | 323-618-007 | 41 | 15 | 201485 | 323-740-012 | 45 | 6 |
| 5267 | 323-600-295 | 9 | 31 | 200205 | 323-640-203 | 13 | 13 | 201523A | 323-671-001 | 9 | 16 |
| 5271 | 323-600-141 | 27 | 2 | 200555 | 323-634-004 | 7 | 25 | 201635 | 323-680-207 | 25 | 10 |
| 5276 | 323-600-088 | 41 | 26 | 200654 | 323-620-206 | 13 | 5 | 201758 | 323-600-064 | 31 | 7 |
| 5276 | 323-600-088 | 41 | 29 | 201002 | 323-620-001 | 3 | 7 | 201759 | 323-615-010 | 31 | 8 |
| 5284 | 323-600-306 | 19 | 20 | 201002 | 323-620-001 | 3 | 11 | 202045 | 323-617-204 | 17 | 21 |
| 5286 | 323-600-225 | 17 | 20 | 201006 | 323-615-001 | 3 | 18 | 202058 | 323-615-213 | 41 | 27 |
| 5291 | 323-600-313 | 15 | 27 | 201009 | 323-649-001 | 29 | 8 | 202081 | 323-653-003 | 9 | 3 |
| 5292 | 323-600-341 | 13 | 6 | 201037 | 323-642-001 | 15 | 3 | 202176 | 323-653-005 | 13 | 27 |
| 5293 | 323-600-304 | 15 | 16 | 201048A | 323-860-200 | 7 | 37 | 202281 | 323-758-004 | 43 | 45 |
| 5299 | 323-600-300 | 13 | 16 | 201048A | 323-860-200 | 7 | 39 | 202286 | 323-617-200 | 7 | 47 |
| 5299 | 323-600-341 | 13 | 21 | 201056 | 323-618-003 | 23 | 5 | 202286 | 323-617-200 | 17 | 9 |
| 5312 | 323-600-351 | 21 | 8 | 201056 | 323-618-003 | 27 | 23 | 202286 | 323-617-200 | 17 | 13 |
| 5312 | 323-600-351 | 21 | 28 | 201068 | 323-642-002 | 17 | 41 | 202286 | 323-617-200 | 19 | 6 |
| 5315 | 323-600-344 | 9 | 2 | 201072A | 323-639-225 | 7 | 38 | 202286 | 323-617-200 | 19 | 14 |
| 5316 | 323-600-347 | 21 | 42 | 201072A | 323-639-225 | 7 | 40 | 202286 | 323-617-200 | 41 | 12 |
| 5317 | 323-600-355 | 23 | 34 | 201074A | 323-850-200 | 17 | 7 | 202286 | 323-617-200 | 41 | 18 |
| 5317 | 323-600-355 | 27 | 30 | 201074A | 323-850-200 | 19 | 4 | 202286 | 323-617-200 | 45 | 5 |
| 5321A | 323-600-083 | 21 | 51 | 201086 | 323-642-003 | 15 | | 202287A | 323-615-229 | 31 | 19 |
| 5326 | 323-600-350 | 41 | 10 | 201086 | 323-642-003 | 19 | 27 | 202295 | 323-870-210 | 25 | 28 |
| 5332 | 323-600-359 | 3 | 2 | 201107 | 323-750-002 | 23 | 38 | 202295 | 323-870-210 | 46 | |
| 5336 | 323-600-116 | 21 | 24 | 201117 | 323-618-006 | 11 | 12 | 202295 | 323-870-210 | 48 | |
| 5341 | 323-600-101 | 41 | 54 | 201121A | 323-870-214 | 25 | 12 | 202295 | 323-870-210 | 50 | |
| 5346 | 323-600-366 | 23 | 46 | 201127 | 323-870-211 | 25 | 29 | 202295 | 323-870-210 | 52 | |

CROSS NUMBER INDEX

(part numbers vs new product code numbers)

| NEW PRODUCT | | | | NEW PRODUCT | | | | NEW PRODUCT | | | |
|-------------|-------------|------|---------|-------------|-------------|------|---------|-------------|-------------|------|---------|
| PART. NO. | CODE NO. | PAGE | REF NO. | PART. NO. | CODE NO. | PAGE | REF NO. | PART. NO. | CODE NO. | PAGE | REF NO. |
| 202295 | 323-870-210 | 54 | | 204081 | 323-676-236 | 17 | 16 | 204592 | 323-534-001 | 41 | 25 |
| 202495 | 323-850-021 | 13 | 10 | 204084 | 323-672-200 | 21 | 4 | 204593 | 323-900-012 | 29 | |
| 202499E | 323-801-031 | 50 | | 204085 | 323-576-220 | 21 | 5 | 204618 | 323-653-004 | 23 | 10 |
| 202522 | 323-634-200 | 21 | 32 | 204100 | 323-525-232 | 21 | 1 | 204623 | 323-591-003 | 13 | 17 |
| 202522 | 323-634-200 | 21 | 43 | 204107 | 323-618-212 | 17 | 11 | 204623 | 323-591-003 | 47 | |
| 202522 | 323-634-200 | 41 | 46 | 204107 | 323-618-212 | 23 | 2 | 204623 | 323-591-003 | 49 | |
| 202526 | 323-692-201 | 3 | 25 | 204111A | 323-730-011 | 23 | 9 | 204624 | 323-591-004 | 51 | |
| 202527A | 323-870-005 | 25 | 13 | 204114 | 323-676-251 | 23 | 15 | 204624 | 323-591-004 | 53 | |
| 202542E | 323-801-026 | 46 | | 204114 | 323-676-251 | 23 | 26 | 204624 | 323-591-004 | 55 | |
| 202542E | 323-801-026 | 48 | | 204115 | 323-618-211 | 23 | 17 | 204625A | 323-676-025 | 13 | 22 |
| 202546E | 323-801-027 | 46 | | 204115 | 323-618-211 | 23 | 28 | 204627A | 323-676-263 | 13 | 23 |
| 202546E | 323-801-027 | 48 | | 204118 | 323-618-213 | 5 | 18 | 204630 | 323-620-017 | 15 | 19 |
| 202554E | 323-801-030 | 50 | | 204122 | 323-525-234 | 23 | 25 | 204631 | 323-649-003 | 15 | 15 |
| 202554E | 323-801-030 | 54 | | 204123A | 323-593-003 | 23 | 29 | 204632 | 323-756-003 | 15 | 20 |
| 202576 | 323-615-201 | 5 | 14 | 204124 | 323-593-207 | 23 | 30 | 204634 | 323-561-009 | 11 | 17 |
| 202576 | 323-615-201 | 5 | 34 | 204128A | 323-620-252 | 23 | 31 | 204634 | 323-561-009 | 47 | |
| 202596E | 323-801-028 | 46 | | 204129A | 323-676-261 | 23 | 35 | 204634 | 323-561-009 | 49 | |
| 202596E | 323-801-028 | 48 | | 204139A | 323-502-213 | 21 | 39 | 204635 | 323-561-010 | 11 | 20 |
| 202597E | 323-801-029 | 46 | | 204140A | 323-730-214 | 21 | 41 | 204635 | 323-561-010 | 47 | |
| 202597E | 323-801-029 | 48 | | 204142B | 323-800-036 | 21 | 48 | 204635 | 323-561-010 | 49 | |
| 202616 | 323-801-038 | 46 | | 204143A | 323-891-200 | 21 | 50 | 204636 | 323-740-018 | 11 | 23 |
| 202617 | 323-801-039 | 46 | | 204145A | 323-525-014 | 25 | 1 | 204638 | 323-683-013 | 25 | 16 |
| 202618 | 323-801-222 | 46 | | 204146 | 323-620-244 | 25 | 3 | 204646 | 323-800-026 | 7 | 32 |
| 202645 | 323-629-201 | 27 | 36 | 204147 | 323-525-236 | 25 | 5 | 204649 | 323-891-002 | 7 | 41 |
| 202647A | 323-620-239 | 27 | 39 | 204148B | 323-685-008 | 25 | 7 | 204650A | 323-510-030 | 7 | 33 |
| 202653 | 323-620-240 | 7 | 6 | 204149 | 323-676-239 | 25 | 8 | 204656 | 323-851-010 | 17 | 54 |
| 202683 | 323-716-209 | 27 | 44 | 204150 | 323-680-208 | 25 | 9 | 204659 | 323-561-011 | 11 | 18 |
| 202689 | 323-641-201 | 7 | 7 | 204152 | 323-870-217 | 43 | 1 | 204659 | 323-561-011 | 51 | |
| 202704 | 323-851-222 | 11 | 14 | 204155 | 323-683-213 | 43 | 6 | 204659 | 323-561-011 | 53 | |
| 202705A | 323-740-016 | 13 | 9 | 204156 | 323-560-225 | 43 | 7 | 204659 | 323-561-011 | 55 | |
| 202706A | 323-866-214 | 13 | 15 | 204158 | 323-640-219 | 25 | 21 | 204660 | 323-561-011 | 11 | 21 |
| 202757A | 323-617-002 | 27 | 29 | 204159 | 323-625-202 | 25 | 22 | 204660 | 323-561-012 | 51 | |
| 202769 | 323-615-219 | 35 | 6 | 204160A | 323-850-247 | 25 | 24 | 204660 | 323-561-012 | 53 | |
| 202799 | 323-820-286 | 47 | | 204177B | 323-530-016 | 27 | 41 | 204660 | 323-561-012 | 55 | |
| 202799 | 323-820-286 | 49 | | 204178 | 323-640-220 | 27 | 46 | 204663 | 323-810-008 | 50 | |
| 202799 | 323-820-286 | 53 | | 204180 | 323-515-203 | 29 | 1 | 204663 | 323-810-008 | 52 | |
| 202849 | 323-800-215 | 15 | 8 | 204183 | 323-540-237 | 29 | 7 | 204664 | 323-530-010 | 19 | 18 |
| 202849 | 323-800-215 | 17 | 46 | 204184 | 323-540-236 | 29 | 9 | 204668 | 323-560-020 | 47 | |
| 202849 | 323-800-215 | 19 | 32 | 204185 | 323-632-201 | 21 | 33 | 204668 | 323-560-020 | 49 | |
| 202868 | 323-618-209 | 21 | 53 | 204185 | 323-632-201 | 29 | 15 | 204668 | 323-560-020 | 51 | |
| 202875 | 323-615-216 | 17 | 51 | 204186 | 323-570-203 | 29 | 13 | 204668 | 323-560-020 | 53 | |
| 202903 | 323-627-208 | 31 | 5 | 204187 | 323-570-204 | 29 | 11 | 204668 | 323-560-020 | 55 | |
| 204003 | 323-882-201 | 3 | 14 | 204188 | 323-902-020 | 29 | 21 | 204674 | 323-830-054 | 46 | |
| 204006 | 323-620-242 | 3 | 19 | 204189 | 323-683-214 | 29 | 24 | 204674 | 323-830-054 | 48 | |
| 204010 | 323-671-200 | 9 | 4 | 204192 | 323-663-211 | 29 | 23 | 204674 | 323-830-054 | 50 | |
| 204014 | 323-676-243 | 9 | 11 | 204193 | 323-639-232 | 31 | 1 | 204674 | 323-830-054 | 52 | |
| 204016 | 323-676-232 | 9 | 13 | 204194 | 323-639-233 | 31 | 6 | 204674 | 323-830-054 | 54 | |
| 204018 | 323-615-217 | 9 | 17 | 204196 | 323-736-200 | 31 | 12 | 204675A | 323-830-096 | 46 | |
| 204019A | 323-646-001 | 9 | 18 | 204198 | 323-568-202 | 31 | 15 | 204675A | 323-830-096 | 48 | |
| 204020A | 323-671-002 | 9 | 19 | 204218 | 323-734-204 | 5 | 37 | 204675A | 323-830-096 | 54 | |
| 204021 | 323-800-224 | 9 | 20 | 204223 | 323-510-248 | 7 | 9 | 204676 | 323-830-033 | 46 | |
| 204022 | 323-626-202 | 9 | 21 | 204251 | 323-663-207 | 3 | 5 | 204676 | 323-830-033 | 48 | |
| 204023 | 323-615-221 | 9 | 24 | 204259 | 323-639-012 | 33 | 17 | 204676 | 323-830-033 | 54 | |
| 204025 | 323-545-203 | 9 | 27 | 204270 | 323-653-006 | 33 | 12 | 204677 | 323-830-037 | 46 | |
| 204026 | 323-546-204 | 9 | 30 | 204270 | 323-653-006 | 33 | 24 | 204677 | 323-830-037 | 48 | |
| 204029 | 323-535-205 | 11 | 1 | 204274 | 323-653-209 | 17 | 28 | 204677 | 323-830-037 | 50 | |
| 204048A | 323-576-213 | 17 | 4 | 204293 | 323-616-200 | 19 | 21 | 204677 | 323-830-037 | 54 | |
| 204052A | 323-626-201 | 17 | 15 | 204311 | 323-618-210 | 19 | 12 | 204678A | 323-830-094 | 48 | |
| 204052A | 323-626-201 | 19 | 17 | 204319 | 323-663-205 | 9 | 10 | 204678A | 323-830-094 | 54 | |
| 204052A | 323-626-201 | 21 | 36 | 204354 | 323-620-251 | 21 | 11 | 204679 | 323-830-056 | 48 | |
| 204054 | 323-676-235 | 19 | 15 | 204439A | 323-615-033 | 23 | 33 | 204681 | 323-646-003 | 7 | 3 |
| 204054 | 323-676-235 | 23 | 4 | 204450 | 323-692-256 | 7 | 11 | 204690 | 323-830-057 | 46 | |
| 204055B | 323-576-018 | 17 | 18 | 204451 | 323-740-229 | 41 | 19 | 204690 | 323-830-057 | 48 | |
| 204059 | 323-676-248 | 17 | 29 | 204451 | 323-740-229 | 45 | 1 | 204690 | 323-830-057 | 54 | |
| 204060 | 323-515-202 | 17 | 30 | 204452 | 323-740-228 | 45 | 3 | 204691 | 323-830-058 | 48 | |
| 204062 | 323-810-218 | 46 | | 204465 | 323-653-007 | 33 | 25 | 204691 | 323-830-058 | 54 | |
| 204062 | 323-810-218 | 48 | | 204495 | 323-800-235 | 41 | 16 | 204693 | 323-830-034 | 48 | |
| 204069A | 323-540-228 | 17 | 10 | 204520 | 323-615-233 | 9 | 7 | 204702 | 323-810-009 | 46 | |
| 204069A | 323-540-228 | 19 | 11 | 204585 | 323-615-021 | 41 | 51 | 204702 | 323-810-009 | 48 | |
| 204072 | 323-810-216 | 19 | 22 | 204588 | 323-686-002 | 23 | 11 | 204702 | 323-810-009 | 52 | |

CROSS NUMBER INDEX

(part numbers vs new product code numbers)

| NEW PRODUCT | | | | NEW PRODUCT | | | | NEW PRODUCT | | | |
|-------------|-------------|------|---------|-------------|-------------|------|---------|-------------|-------------|------|---------|
| PART. NO. | CODE NO. | PAGE | REF NO. | PART. NO. | CODE NO. | PAGE | REF NO. | PART. NO. | CODE NO. | PAGE | REF NO. |
| 204703 | 323-810-110 | 48 | | 204888 | 323-618-019 | 43 | 30 | 205256 | 323-801-048 | 54 | |
| 204704 | 323-810-011 | 46 | | 204889 | 323-540-032 | 43 | 33 | 205257 | 323-801-049 | 54 | |
| 204721A | 323-830-097 | 48 | | 204890 | 323-530-032 | 43 | 34 | 205314 | 323-820-028 | 43 | 22 |
| 204722 | 323-830-035 | 48 | | 204891 | 323-850-056 | 43 | 36 | 205315 | 323-850-033 | 43 | 23 |
| 204723A | 323-830-108 | 46 | | 204892 | 323-607-003 | 43 | 38 | 205316 | 323-740-039 | 43 | 24 |
| 204723A | 323-830-108 | 50 | | 204893 | 323-630-034 | 43 | 39 | 205318 | 323-756-004 | 43 | 11 |
| 204723A | 323-830-108 | 54 | | 204894 | 323-640-026 | 43 | 40 | 205319 | 323-850-032 | 43 | 13 |
| 204724 | 323-830-036 | 46 | | 204895 | 323-780-014 | 43 | 41 | 205320 | 323-801-062 | 46 | |
| 204724 | 323-830-036 | 50 | | 204896 | 323-850-028 | 45 | | 205321 | 323-801-063 | 46 | |
| 204724 | 323-830-036 | 54 | | 204898 | 323-900-053 | 43 | | 205322 | 323-801-064 | 46 | |
| 204729A | 323-830-103 | 46 | | 204902 | 323-866-013 | 17 | 49 | 205323 | 323-801-065 | 46 | |
| 204729A | 323-830-103 | 54 | | 204905 | 323-851-018 | 17 | 52 | 205324 | 323-801-066 | 46 | |
| 204730 | 323-830-059 | 46 | | 204906 | 323-863-017 | 43 | 44 | 205325 | 323-801-067 | 46 | |
| 204730 | 323-830-059 | 54 | | 204907 | 323-830-060 | 46 | | 205326 | 323-801-068 | 46 | |
| 204731 | 323-801-041 | 48 | | 204910 | 323-801-043 | 54 | | 205327 | 323-801-069 | 46 | |
| 204734 | 323-633-002 | 9 | 5 | 204911 | 323-801-044 | 54 | | 205328 | 323-820-029 | 43 | 14 |
| 204737 | 323-515-002 | 9 | 8 | 204913 | 323-801-045 | 46 | | 205329 | 323-820-030 | 43 | 19 |
| 204742 | 323-734-003 | 5 | 17 | 204921 | 323-639-239 | 33 | 19 | 205330 | 323-850-034 | 43 | 15 |
| 204743 | 323-620-014 | 5 | 22 | 204921 | 323-639-239 | 33 | 8 | 205331 | 323-850-035 | 43 | 16 |
| 204744 | 323-740-019 | 5 | 23 | 204929 | 323-710-003 | 27 | 47 | 205332 | 323-850-036 | 43 | 17 |
| 204745 | 323-640-007 | 5 | 25 | 204930 | 323-676-039 | 27 | 48 | 205333 | 323-580-037 | 43 | 20 |
| 204746 | 323-620-015 | 5 | 26 | 204950 | 323-510-036 | 43 | 8 | 205335 | 323-740-040 | 43 | 9 |
| 204747 | 323-850-023 | 5 | 27 | 204963 | 323-810-227 | 54 | | 205342A | 323-560-041 | 47 | |
| 204748 | 323-640-008 | 5 | 29 | 204964 | 323-810-228 | 54 | | 205342A | 323-560-041 | 49 | |
| 204749 | 323-627-005 | 5 | 30 | 204966 | 323-875-003 | 43 | 26 | 205342A | 323-560-041 | 51 | |
| 204750 | 323-740-017 | 15 | 17 | 204990 | 323-810-231 | 43 | 42 | 205342A | 323-560-041 | 53 | |
| 204751 | 323-540-016 | 23 | 1 | 204991 | 323-810-232 | 43 | 43 | 205342A | 323-560-041 | 55 | |
| 204752 | 323-540-017 | 21 | 34 | 205065 | 323-640-225 | 41 | 3 | 205466 | 323-945-001 | 35 | 1 |
| 204754 | 323-680-007 | 21 | 37 | 205066 | 323-615-227 | 41 | 4 | 205467 | 323-646-006 | 35 | 5 |
| 204755 | 323-530-011 | 21 | 44 | 205067 | 323-540-246 | 41 | 6 | 205468 | 323-774-002 | 35 | 9 |
| 204756 | 323-640-006 | 21 | 54 | 205068 | 323-680-210 | 41 | 7 | 205469 | 323-774-003 | 35 | 10 |
| 204757 | 323-600-102 | 21 | 55 | 205069 | 323-750-204 | 41 | 9 | 205470 | 323-740-062 | 35 | 7 |
| 204758 | 323-685-012 | 25 | 19 | 205070 | 323-625-203 | 41 | 13 | 205473 | 323-945-014 | 35 | 2 |
| 204759 | 323-683-014 | 25 | 30 | 205072 | 323-530-232 | 41 | 21 | 205495 | 323-620-040 | 11 | 3 |
| 204760A | 323-505-016 | 45 | 12 | 205091 | 323-850-258 | 41 | 35 | 205495 | 323-620-040 | 21 | 2 |
| 204762 | 323-740-037 | 11 | 27 | 205103 | 323-685-243 | 41 | 30 | 206336 | 325-630-004 | 35 | 3 |
| 204786 | 323-866-005 | 19 | 33 | 205104 | 323-750-205 | 41 | 28 | 206457 | 323-656-003 | 7 | 18 |
| 204787 | 323-576-006 | 19 | 7 | 205135 | 323-820-013 | 47 | | 206550 | | 7 | 19 |
| 204788 | 323-576-007 | 17 | 5 | 205136 | 323-820-014 | 47 | | 208001 | 323-510-043 | 7 | 20 |
| 204788 | 323-576-007 | 19 | 8 | 205136 | 323-820-014 | 51 | | 208003 | 323-510-046 | 7 | 21 |
| 204789 | 323-618-010 | 19 | 9 | 205136 | 323-820-014 | 55 | | 208005 | 323-510-048 | 7 | |
| 204794A | 323-655-007 | 3 | 21 | 205137 | 323-875-001 | 41 | 1 | 208008 | 323-728-008 | 7 | 23 |
| 204796 | 323-620-016 | 25 | 18 | 205216 | 323-945-009 | 39 | 21 | 208009 | 323-620-026 | 7 | 24 |
| 204797 | 323-801-042 | 48 | | 205217 | 323-600-117 | 39 | 22 | 208010 | 323-640-015 | 7 | 27 |
| 204806 | 323-615-029 | 31 | 21 | 205231 | 323-801-344 | 48 | | 208023A | 323-510-086 | 7 | 5 |
| 204810 | 323-750-003 | 23 | 37 | 205232 | 323-801-345 | 48 | | 208030 | 323-801-083 | 52 | |
| 204827 | 323-627-009 | 5 | 4 | 205233 | 323-801-346 | 48 | | 208030 | 323-801-083 | 54 | |
| 204828 | 323-627-010 | 3 | 16 | 205234 | 323-801-347 | 48 | | 208031 | 323-801-084 | 52 | |
| 204830 | 323-683-015 | 43 | 4 | 205235 | 323-801-340 | 48 | | 208031 | 323-801-084 | 54 | |
| 204835 | 323-870-004 | 43 | 2 | 205236 | 323-801-341 | 48 | | 208032 | 323-801-085 | 52 | |
| 204848A | 323-560-051 | 7 | 1 | 205237 | 323-801-342 | 48 | | 208033 | 323-801-086 | 52 | |
| 204853 | 323-530-017 | 19 | 19 | 205238 | 323-801-343 | 48 | | 208033 | 323-801-086 | | |
| 204854 | 323-676-029 | 17 | | 205239 | 323-801-360 | 46 | | 208034 | 323-801-087 | 52 | |
| 204857A | 323-510-091 | 7 | 43 | 205239 | 323-801-360 | 48 | | 208034 | 323-801-087 | | |
| 204860 | 323-658-004 | 33 | | 205240 | 323-801-361 | 46 | | 208035 | 323-801-088 | 52 | |
| 204861 | 323-658-003 | 33 | 13 | 205240 | 323-801-361 | 48 | | 208035 | 323-801-088 | | |
| 204862 | 323-510-035 | 33 | 14 | 205241 | 323-801-362 | 46 | | 208036 | 323-801-089 | 52 | |
| 204863 | 323-620-025 | 33 | 15 | 205241 | 323-801-362 | 48 | | 208037 | 323-801-090 | 52 | |
| 204865A | 323-510-088 | 7 | 48 | 205242 | 323-801-363 | 46 | | 208038 | 323-801-091 | 52 | |
| 204867 | 323-646-005 | 7 | 51 | 205242 | 323-801-363 | 48 | | 208039 | 323-830-086 | 52 | |
| 204868 | 323-646-004 | 7 | 45 | 205243 | 323-801-364 | 50 | | 208040 | 323-830-087 | 52 | |
| 204869 | 323-600-107 | 21 | 56 | 205243 | 323-801-364 | 54 | | 208040 | 323-830-087 | 54 | |
| 204870 | 323-630-017 | 21 | 52 | 205244 | 323-801-365 | 50 | | 208041 | 323-830-088 | 52 | |
| 204871 | 323-628-002 | 7 | 42 | 205252 | 323-820-285 | 49 | | 208044 | 323-830-091 | 52 | |
| 204872 | 323-591-007 | 55 | | 205253 | 323-820-287 | 49 | | 208044 | 323-830-091 | 54 | |
| 204882 | 323-900-014 | 41 | | 205253 | 323-820-287 | 51 | | 208045 | 323-591-008 | 53 | |
| 204883 | 323-530-018 | 21 | 46 | 205253 | 323-820-287 | 53 | | 208045 | 323-591-008 | 55 | |
| 204884 | 323-561-017 | 11 | 25 | 205253 | 323-820-287 | 55 | | 208047 | 323-591-009 | 53 | |
| 204886 | 323-750-010 | 43 | 27 | 205255 | 323-801-047 | 50 | | 208049 | 323-863-015 | 53 | |
| 204887 | 323-740-061 | 43 | 28 | 205255 | 323-801-047 | 54 | | 208049 | 323-863-015 | 55 | |

CROSS NUMBER INDEX

(part numbers vs new product code numbers)

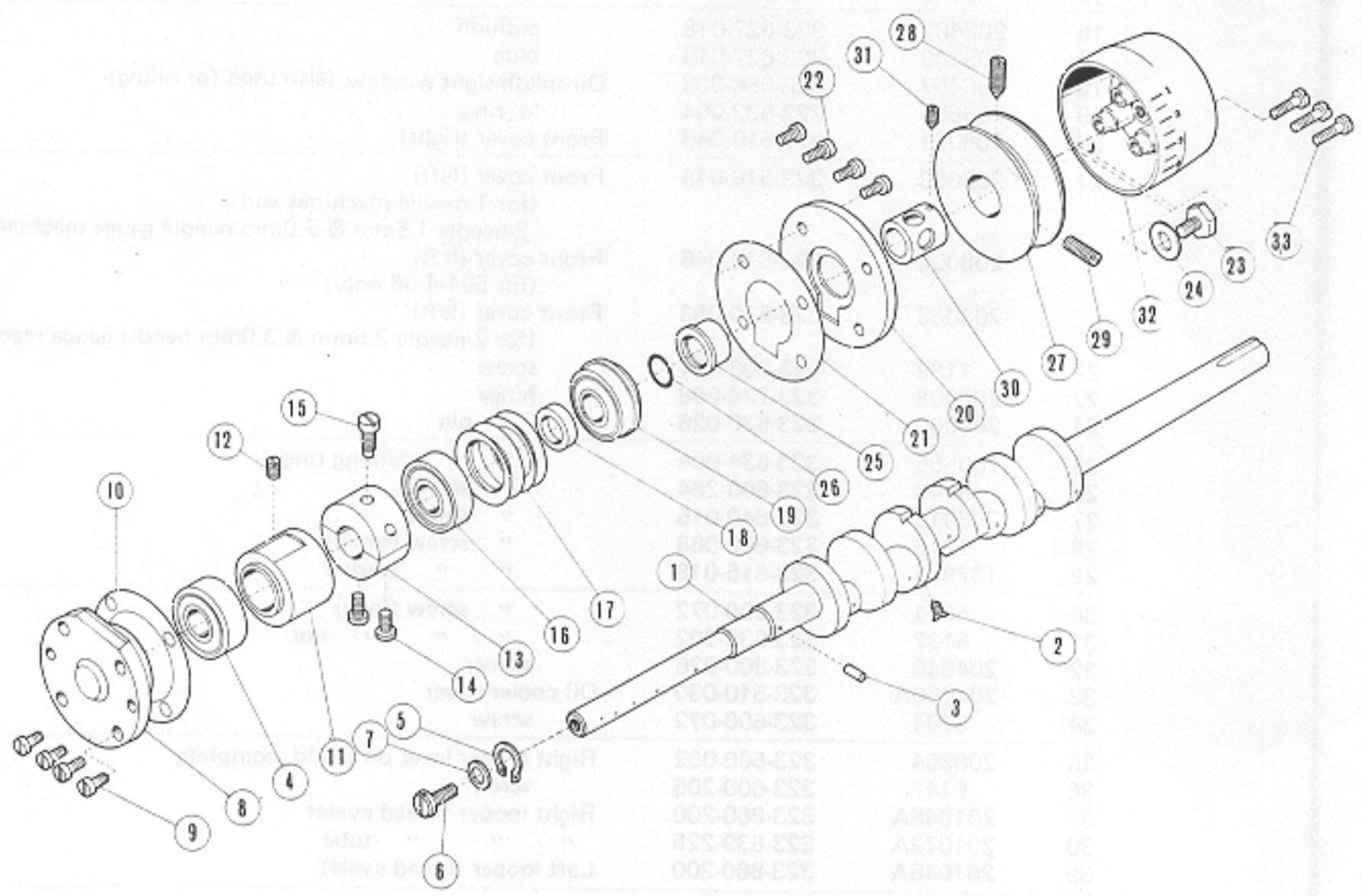
| NEW PRODUCT | | | | NEW PRODUCT | | | | NEW PRODUCT | | | |
|-------------|-------------|------|---------|-------------|-------------|------|---------|-------------|-------------|------|---------|
| PART. NO. | CODE NO. | PAGE | REF NO. | PART. NO. | CODE NO. | PAGE | REF NO. | PART. NO. | CODE NO. | PAGE | REF NO. |
| 208050 | 323-863-016 | 53 | | 208346 | 323-525-013 | 19 | 1 | 208621 | 323-780-012 | 13 | 28 |
| 208050 | 323-863-016 | 55 | | 208347 | 323-510-078 | 5 | 8 | 204667 | 323-850-022 | 45 | 10 |
| 208051 | 323-561-021 | 53 | | 208348 | 323-655-011 | 5 | 9 | 204692A | 323-830-093 | 47 | |
| 208051 | 323-561-021 | 55 | | 208400 | 323-851-025 | 11 | 15 | | | | |
| 208052 | 323-561-022 | 53 | | 208409 | 323-618-018 | 21 | 15 | | | | |
| 208052 | 323-561-022 | 55 | | 208410 | 323-716-013 | 21 | 19 | | | | |
| 208053 | 323-561-023 | 53 | | 208411 | 323-900-050 | 21 | | | | | |
| 208054 | 323-561-024 | 53 | | 208416 | 323-900-051 | 21 | | | | | |
| 208058 | 323-510-053 | 7 | | 208420 | 323-535-004 | 21 | 29 | | | | |
| 208095 | 323-830-092 | 52 | | 208421 | 323-640-021 | 21 | 31 | | | | |
| 208095 | 323-850-044 | 25 | 25 | 208422 | 323-663-024 | 5 | 2 | | | | |
| 208102 | 323-851-022 | 17 | 27 | 208424 | 323-576-017 | 13 | 1 | | | | |
| 208107A | 323-850-050 | 23 | 41 | 208425 | 323-730-012 | 13 | 4 | | | | |
| 208108 | 323-850-049 | 23 | 39 | 208427 | 323-683-018 | 13 | 7 | | | | |
| 208109 | 323-560-046 | 23 | 44 | 208429 | 323-676-049 | 17 | 17 | | | | |
| 208110 | 323-800-053 | 23 | 45 | 208430 | 323-800-061 | 5 | 11 | | | | |
| 208168 | 323-663-019 | 23 | 42 | 208434 | 323-560-047 | 3 | 12 | | | | |
| 208169A | 323-663-021 | 3 | 13 | 208440 | 323-692-034 | 3 | 20 | | | | |
| 208173 | 323-780-009 | 3 | 15 | 208441 | 323-692-035 | 3 | | | | | |
| 208173 | 323-780-009 | 17 | 32 | 208442 | 323-692-036 | 3 | | | | | |
| 208207 | 323-787-005 | 21 | 10 | 208444 | 323-692-037 | 3 | | | | | |
| 208208 | 323-800-063 | 21 | 12 | 208445 | 323-866-016 | 17 | 47 | | | | |
| 208209 | 323-800-064 | 21 | 13 | 208446 | 323-639-034 | 33 | 4 | | | | |
| 208247 | 323-540-027 | 11 | 8 | 208447 | 323-630-033 | 15 | 1 | | | | |
| 208248 | 323-676-042 | 11 | 9 | 208447 | 323-630-033 | 17 | 39 | | | | |
| 208249 | 323-676-043 | 11 | 11 | 208447 | 323-630-033 | 19 | 25 | | | | |
| 208250 | 323-626-002 | 11 | 10 | 208448 | 323-676-047 | 15 | 2 | | | | |
| 208258 | 323-620-041 | 17 | 22 | 208448 | 323-676-047 | 17 | 40 | | | | |
| 208260 | 323-713-003 | 31 | 16 | 208448 | 323-676-047 | 19 | 26 | | | | |
| 208271 | 323-680-011 | 9 | 25 | 208449 | 323-650-001 | 15 | 6 | | | | |
| 208272 | 323-632-002 | 9 | 26 | 208449 | 323-650-001 | 17 | 44 | | | | |
| 208273 | 323-716-011 | 23 | 18 | 208449 | 323-650-001 | 19 | 30 | | | | |
| 208282 | 323-580-084 | 21 | 7 | 208450 | 323-780-010 | 15 | 4 | | | | |
| 208284 | 323-575-019 | 23 | 7 | 208450 | 323-780-010 | 17 | 42 | | | | |
| 208285 | 323-620-035 | 23 | 12 | 208450 | 323-780-010 | 19 | 28 | | | | |
| 208286 | 323-615-036 | 23 | 14 | 208479 | 323-850-055 | 27 | 32 | | | | |
| 208289 | 323-800-056 | 3 | 22 | 208481 | 323-850-057 | 7 | 14 | | | | |
| 208290 | 323-663-020 | 3 | 23 | 208482 | 323-627-018 | 5 | 41 | | | | |
| 208293 | 323-677-046 | 19 | 16 | 208482 | 323-627-018 | 7 | 16 | | | | |
| 208294 | 323-676-045 | 21 | 35 | 208487 | 323-800-065 | 33 | 6 | | | | |
| 208296 | 323-800-058 | 17 | 24 | 208488 | 323-900-045 | 15 | | | | | |
| 208299 | 323-510-079 | 7 | 13 | 208489 | 323-900-046 | 15 | | | | | |
| 208299 | 323-676-048 | 17 | 14 | 208489 | 323-900-046 | 19 | 24 | | | | |
| 208307 | 323-851-024 | 15 | 10 | 208490 | 323-900-047 | 17 | 38 | | | | |
| 208308 | 323-658-005 | 33 | 1 | 208491 | 323-900-048 | 15 | 9 | | | | |
| 208313 | 323-530-029 | 27 | 25 | 208525 | 323-685-022 | 27 | 8 | | | | |
| 208314 | 323-620-036 | 27 | 27 | 208526 | 323-502-011 | 27 | 1 | | | | |
| 208315 | 323-640-024 | 27 | 28 | 208534 | 323-540-031 | 27 | 20 | | | | |
| 208316 | 323-604-018 | 27 | 49 | 208535 | 323-676-050 | 27 | 21 | | | | |
| 208317 | 323-800-057 | 5 | 1 | 208537 | 323-592-001 | 27 | 31 | | | | |
| 208318 | 323-663-023 | 31 | 17 | 208540 | 323-640-023 | 27 | 33 | | | | |
| 208319 | 323-530-028 | 17 | 26 | 208547 | 323-716-014 | 27 | 14 | | | | |
| 208320 | 323-780-011 | 9 | 32 | 208549 | 323-620-042 | 27 | 4 | | | | |
| 208322 | 323-801-128 | 52 | | 208560 | 323-510-090 | 15 | 22 | | | | |
| 208323 | 323-801-129 | 52 | | 208561 | 323-653-017 | 15 | 24 | | | | |
| 208324 | 323-801-130 | 52 | | 208562 | 323-653-018 | 15 | 25 | | | | |
| 208325 | 323-801-131 | 52 | | 208563 | 323-800-062 | 15 | 26 | | | | |
| 208326 | 323-801-132 | 52 | | 208568 | 323-510-089 | 15 | | | | | |
| 208327 | 323-801-133 | 52 | | 208592 | 323-780-013 | 17 | 35 | | | | |
| 208330 | 323-625-002 | 21 | 17 | 208597 | 323-676-052 | 17 | 34 | | | | |
| 208333 | 323-576-020 | 21 | | 208598 | 323-530-031 | 27 | 35 | | | | |
| 208336 | 323-830-134 | 46 | | 208599 | 323-676-053 | 27 | 37 | | | | |
| 208337 | 323-830-135 | 46 | | 208602 | 323-500-019 | 3 | 4 | | | | |
| 208338 | 323-830-136 | 46 | | 208603 | 323-500-020 | 3 | 8 | | | | |
| 208339 | 323-627-019 | 7 | 17 | 208604 | 323-560-052 | 7 | 35 | | | | |
| 208340 | 323-891-004 | 7 | 53 | 208611 | 323-802-015 | 5 | 13 | | | | |
| 208341 | 323-800-055 | 5 | 5 | 208612 | 323-802-016 | 5 | 33 | | | | |
| 208342 | 323-663-022 | 5 | 6 | 208615 | 323-600-142 | 27 | 34 | | | | |
| 208343 | 323-540-029 | 9 | 1 | 208616 | 323-560-053 | 13 | 24 | | | | |
| 208346 | 323-525-013 | 17 | 1 | 208617 | 323-653-019 | 13 | 26 | | | | |

(2) MISCELLANEOUS COVERS

| REF. NO. | PART NO. | NEW PRODUCT CODE NO. | DESCRIPTION | QT. |
|----------|----------|----------------------|---|-----|
| 1 | 204848A | 323-560-051 | Cloth plate fabric guard | 1 |
| 2 | 4009-1 | 323-600-014 | screw | 2 |
| 3 | 204681 | 323-646-003 | spacer | 1 |
| 4 | 2922 | 323-600-229 | " screw | 1 |
| 5 | 208023A | 323-510-086 | Needle bar cover | 1 |
| 6 | 202653 | 323-620-240 | hinge pin | 2 |
| 7 | 202689 | 323-641-201 | lock spring | 1 |
| 8 | 1234 | 323-600-006 | " " screw | 2 |
| 9 | 204223 | 323-510-248 | " " latch | 1 |
| 10 | 4009-1 | 323-600-014 | " " " screw | 1 |
| 11 | 204450 | 323-692-256 | name plate | 1 |
| 12 | 192107-1 | 325-627-002 | cushion rubber | 1 |
| 13 | 208299 | 323-510-079 | Top cover | 1 |
| 14 | 208481 | 323-663-030 | gasket | 1 |
| 15 | 5152 | 323-600-061 | screw | 4 |
| 16 | 208482 | 323-627-018 | cushion | 2 |
| 17 | 208339 | 323-627-019 | plug | 1 |
| 18 | 206457 | 323-656-003 | Oil splash sight window (also used for oiling) | 1 |
| 19 | 206550 | 323-632-004 | 'o' ring | 1 |
| 20 | 208001 | 323-510-043 | Front cover (right) | 1 |
| 21 | 208003 | 323-510-046 | Front cover (left) (for 1-needle machines and 2-needle 1.5mm & 2.0mm needle gauge machines) | 1 |
| | 208005 | 323-510-048 | Front cover (left) (for 504-4-65 only) | 1 |
| | 208058 | 323-510-053 | Front cover (left) (for 2-needle 2.5mm & 3.0mm needle gauge machines) | 1 |
| 22 | 1189 | 323-600-301 | screw | 2 |
| 23 | 208008 | 323-728-008 | hinge | 1 |
| 24 | 208009 | 323-620-026 | " pin | 1 |
| 25 | 200555 | 323-634-004 | " " retaining ring | 1 |
| 26 | 5146 | 323-600-264 | " screw | 1 |
| 27 | 208010 | 323-640-015 | " spring | 1 |
| 28 | 1216 | 323-600-068 | " screw (small) | 3 |
| 29 | 137906 | 323-615-018 | " " washer | 3 |
| 30 | 5094 | 323-600-072 | " screw (long) | 1 |
| 31 | 5137 | 323-630-202 | " " " nut | 1 |
| 32 | 204646 | 323-800-026 | spacer | 1 |
| 33 | 204650A | 323-510-030 | Oil cooler cover | 1 |
| 34 | 5094 | 323-600-072 | screw | 3 |
| 35 | 208604 | 323-560-052 | Right looper lever oil shield, complete | 1 |
| 36 | 5147 | 323-600-206 | screw | 1 |
| 37 | 201048A | 323-860-200 | Right looper thread eyelet | 1 |
| 38 | 201072A | 323-639-225 | " " " tube | 1 |
| 39 | 201048A | 323-860-200 | Left looper thread eyelet | 1 |
| 40 | 201072A | 323-639-225 | " " " tube | 1 |
| 41 | 204649 | 323-891-002 | Stitch indicator | 1 |
| 42 | 204871 | 323-628-002 | rivet | 2 |
| 43 | 204857A | 323-510-091 | Machine cover (left) (used with Cloth Plate, Narrow 208611) | 1 |
| 44 | 5091 | 323-600-257 | screw | 3 |
| 45 | 204868 | 323-646-004 | spacer | 1 |
| 46 | 2902 | 323-600-259 | " screw | 1 |
| 47 | 202286 | 323-617-200 | " " washer | 1 |
| 48 | 204865A | 323-510-088 | Machine cover (left) (used with Cloth Plate, Wide 208612) | 1 |
| 49 | 5091 | 323-600-257 | screw (short) | 2 |
| 50 | 5182 | 323-600-109 | " (long) | 1 |
| 51 | 204867 | 323-646-005 | spacer | 1 |
| 52 | 5113 | 323-600-039 | " screw | 1 |
| 53 | 208340 | 323-891-004 | Diff. feed ratio indication plate | 1 |

(2) MISCELLANEOUS COVERS

| REF. NO. | PART NO. | NEW PRODUCT CODE NO. | DESCRIPTION |
|----------|----------|----------------------|--------------------------|
| 1 | 30488A | 323-810-011 | Cloth plate fabric guard |
| 2 | 30488T | 323-810-014 | screw |
| 3 | 30488L | 323-810-003 | spacer |
| 4 | 30488S | 323-810-028 | washer |
| 5 | 30802A | 323-810-088 | Needle bar cover |
| 6 | 30288S | 323-810-010 | finger pin |
| 7 | 30288B | 323-810-011 | lock spring |
| 8 | 30488L | 323-810-008 | screw |
| 9 | 30488S | 323-810-008 | washer |
| 10 | 30488L | 323-810-014 | screw |
| 11 | 30488S | 323-810-008 | washer |
| 12 | 30488L | 323-810-014 | screw |
| 13 | 30802B | 323-810-019 | Top cover |
| 14 | 30488L | 323-810-008 | screw |
| 15 | 30488L | 323-810-014 | screw |
| 16 | 30488S | 323-810-008 | washer |
| 17 | 30488L | 323-810-014 | screw |
| 18 | 30488L | 323-810-014 | screw |
| 19 | 30488L | 323-810-014 | screw |
| 20 | 30488L | 323-810-014 | screw |
| 21 | 30488L | 323-810-014 | screw |
| 22 | 30488L | 323-810-014 | screw |
| 23 | 30488L | 323-810-014 | screw |
| 24 | 30488L | 323-810-014 | screw |
| 25 | 30488L | 323-810-014 | screw |
| 26 | 30488L | 323-810-014 | screw |
| 27 | 30488L | 323-810-014 | screw |
| 28 | 30488L | 323-810-014 | screw |
| 29 | 30488L | 323-810-014 | screw |
| 30 | 30488L | 323-810-014 | screw |
| 31 | 30488L | 323-810-014 | screw |
| 32 | 30488L | 323-810-014 | screw |
| 33 | 30488L | 323-810-014 | screw |



CRANKSHAFT MECHANISM

| REF NO. | PART NO. | NEW PRODUCT CODE NO. | DESCRIPTION | QT. |
|---------|----------|----------------------|-----------------------------|-----|
| 1 | 208343 | 323-540-029 | Crankshaft | 1 |
| 2 | 5315 | 323-600-344 | oil plug screw | 1 |
| 3 | 202081 | 323-653-003 | " felt | 1 |
| 4 | 204010 | 323-671-200 | ball bearing (left) | 1 |
| 5 | 204734 | 323-633-002 | " " " retaining ring | 1 |
| 6 | 5361 | 323-600-097 | " " " screw | 1 |
| 7 | 204520 | 323-615-233 | " " " " washer | 1 |
| 8 | 204737 | 323-515-002 | " " " housing | 1 |
| 9 | 5136 | 323-600-245 | " " " " screw | 4 |
| 10 | 204319 | 323-663-205 | " " " " gasket | 1 |
| 11 | 204014 | 323-676-243 | bushing | 1 |
| 12 | 2022 | 323-600-043 | " screw | 1 |
| 13 | 204016 | 323-676-232 | " (center), set with 1174-2 | 1 |
| 14 | 1174 | 323-600-027 | " (center) assembly screw | 2 |
| 15 | 5240 | 323-600-293 | " " screw | 1 |
| 16 | 201523A | 323-671-001 | ball bearing (center) | 1 |
| 17 | 204018 | 323-615-217 | " " " washer | 4 |
| 18 | 204019A | 323-646-001 | " " " spacer | 1 |
| 19 | 204020A | 323-671-002 | " " (right) | 1 |
| 20 | 204021 | 323-800-224 | " " " plate | 1 |
| 21 | 204022 | 323-626-202 | " " " " gasket | 1 |
| 22 | 5117 | 323-600-057 | " " " " screw | 4 |
| 23 | 5238 | 323-600-294 | " " " screw | 1 |
| 24 | 204023 | 323-615-221 | " " " " washer | 1 |
| 25 | 208271 | 323-680-011 | oil seal collar | 1 |
| 26 | 208272 | 323-632-002 | " " " 'o' ring | 1 |
| 27 | 204025 | 323-546-203 | Machine pulley | 1 |
| 28 | 5080 | 323-600-008 | position screw | 1 |
| 29 | 5081 | 323-600-009 | screw | 1 |
| 30 | 204026 | 323-546-204 | collar | 1 |
| 31 | 5267 | 323-600-295 | " screw | 1 |
| 32 | 208320 | 323-780-011 | cap | 1 |
| 33 | 5010 | 323-600-010 | " screw | 3 |