

Parts book
High speed direct drive
lockstitch machine

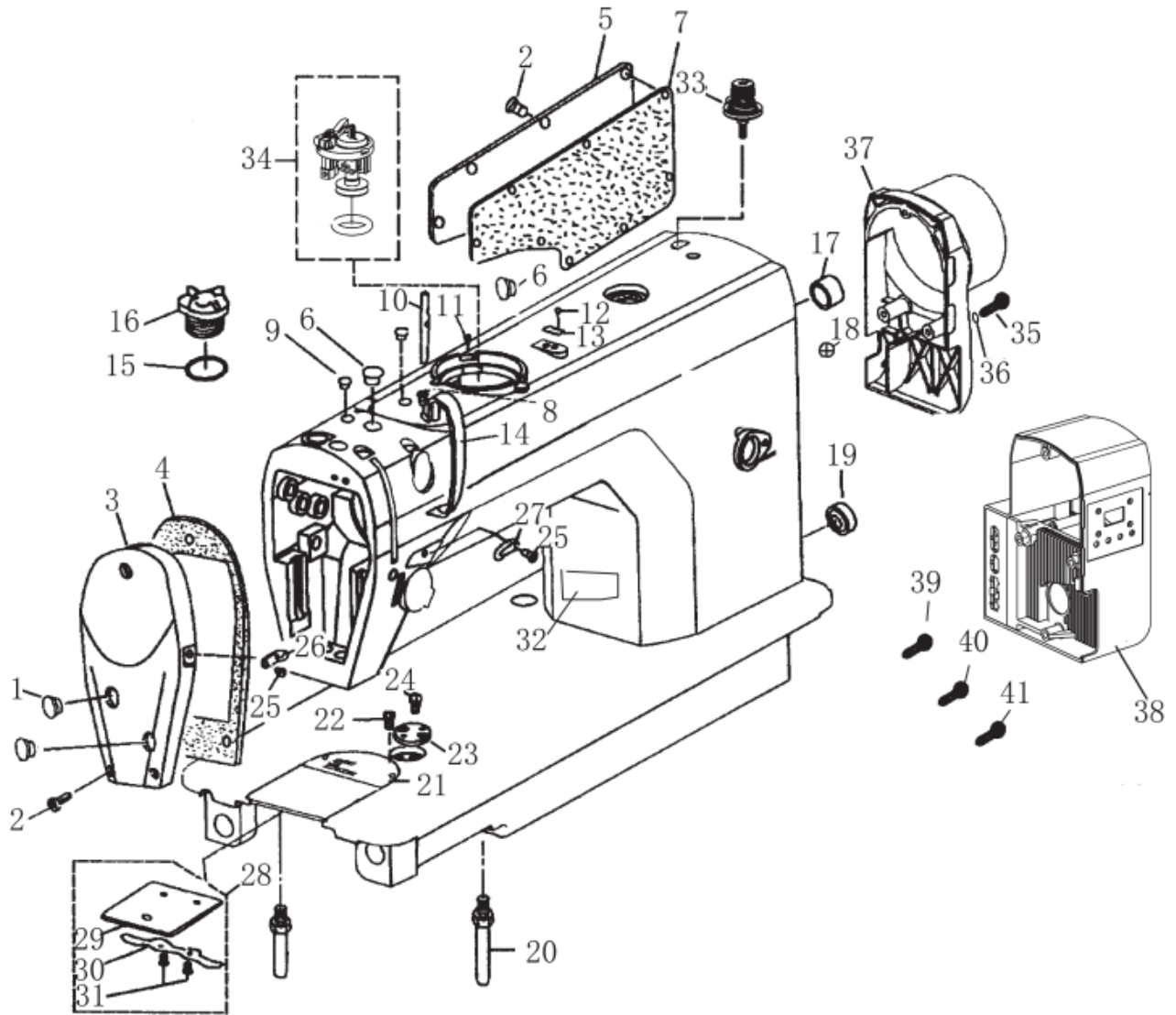
Tronic 1



CONTENTS:

1. MACHINE FRAME & MISCELLANEOUS COVER COMPONENTS.....	2
2. MAIN SHAFT & THREAD TAKE-UP COMPONENTS.....	3
3. NEEDLE BAR & THREAD TENSION COMPONENTS.....	4
4. PRESSER FOOT COMPONENTS.....	5
5. HOOK DRIVING SHAFT COMPONENTS.....	6
6. FEED MECHANISM COMPONENTS.....	7
7. OIL LUBRICATION COMPONENTS.....	9
8. OIL RESERVOIR COMPONENTS.....	10
9. THREAD STAND COMPONENTS.....	11
10. ACCESSORIES.....	12

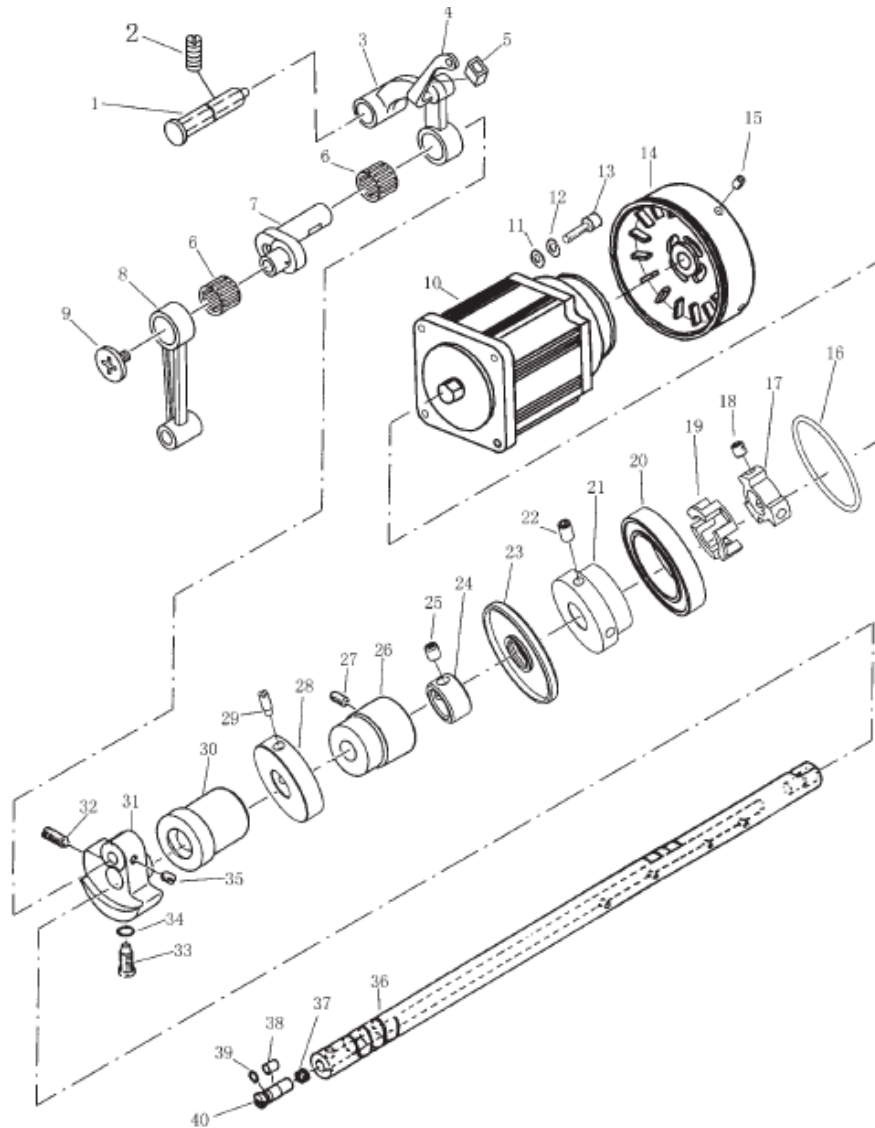
1.MACHINE FRAME & MISCELLANEOUS COVER COMPONENTS



Ref. no.	Part no.	Description	Amt.
1	10008977	Rubber plug	2
2	10008972	Screw	11
3	20003438	Face plate	1
4	10008954	Face plate gasket	1
5	20003774	Side plate	1
6	10008942	Rubber plug	2
7	10010877	Side plate gasket	1
8	10008934	Screw	1
9	10008943	Rubber plug	2
10	10005639	Needle thread guide pin	1
11	10004380	Screw	3
12	10013269	Screw	2
13	10011149	Thread cutter	1
14	10014082	Thread take-up lever cover	1
15	10008939	O-ring	1
16	10008938	Oil window	1
17	10008975	Rubber plug	1
18	10008974	Earthing indication plat	1
19	10008941	Rubber plug	1
20	10002577	Bed screw stud	4
21	10008805	Needle plate	1
	10005917 H	Needle plate	1

22	10009005	Screw	2
23	10004373	Ruler plate	1
24	10004374	Screw	2
25	10008973	Screw	2
26	10008937	Arm thread guide left	1
27	10008940	Arm thread guide right	1
28	10013706	Side plate ASM.	1
29	10003960	Side plate	1
30	10003963	Spring of side plate	1
31	10010080	Screw	2
32	10008936	Safty-indication plate	1
33	10013064	Bobbin thread tension ASSM.	1
34	10013967	Bobbin winder ASM.	1
35	10012080	Screw	3
36	10002954	Washer	3
37	10002520	Pulley cover	1
38	10032220	Electric control	1
39	10012080	Screw	1
40	10012744	Screw	1
41	10005303	Screw	1

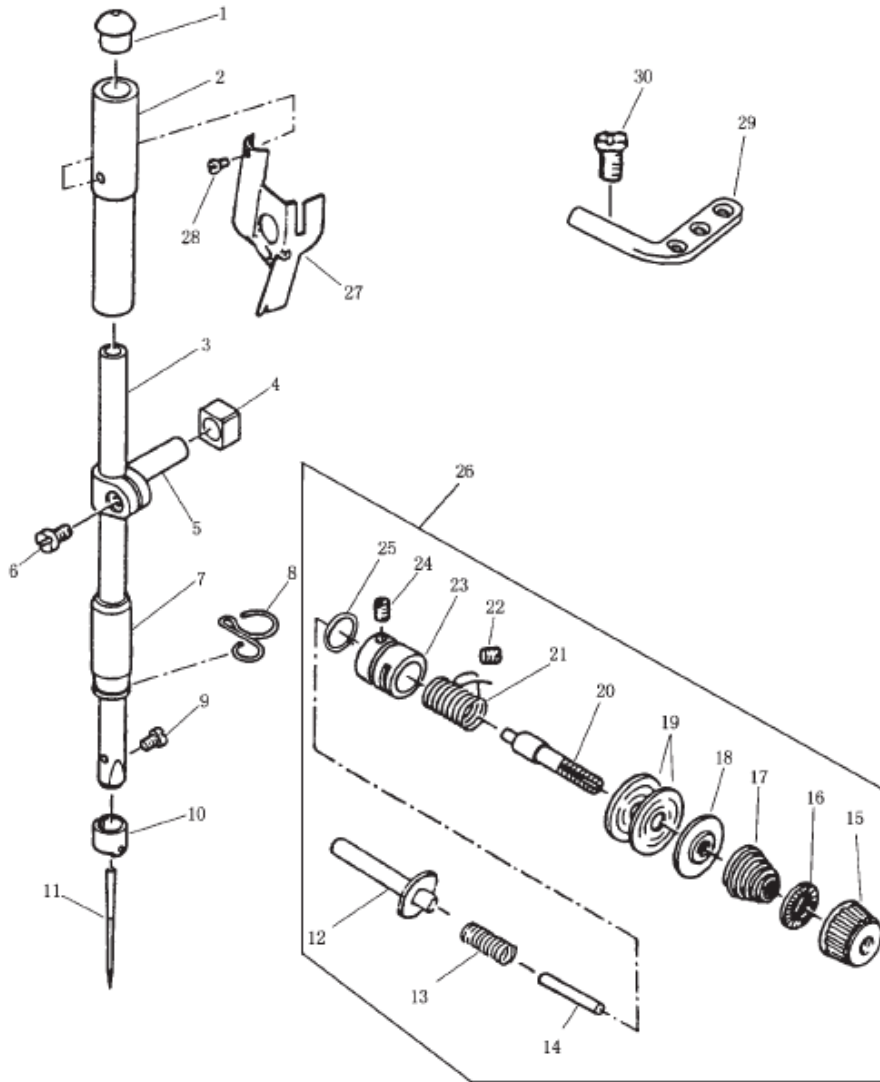
2. MAIN SHAFT & THREAD TAKE-UP COMPONENTS



Ref no.	Part no.	Description	Amt.
1	90000614	Thread take-up crank shaft	2
2	10010083	Screw	1
3	10010535	Thread take-up bar	1
	10005936 H	Thread take-up bar	1
4	10004158	Thread take-up lever ASM.	1
	10005939 H	Thread take-up lever ASM.	1
5	10010539	Oil resietant cover	1
6	10014083	Bearing	2
7	10004144 H	Needle bar crank	1
	10005937	Needle bar crank	1
8	10010592	Needle bar crank rod	1
9	10010537	Screw	1
10	10007414	Motor	1
11	10006115	Washer	4
12	10005537	Washer	4
13	10006118	Screw	4
14	20003904	Head wheel	1
15	10002436	Screw	2
16	10003796	O-ring	1
17	10008908	Coupling	1
18	10011232	Screw	3
19	10008909	Washer	1

20	10009790	Bearing	1
21	10008908	Coupling	1
22	10012161	Screw	2
23	10008803	Oil seal	1
24	10010542	Thrust collar	1
25	10005020	Screw	2
26	10003959	Bearing support	1
27	10010593	Screw	1
28	10004472	Wheel	1
29	10011062	Screw	1
30	10003930	Bearing support	1
31	10012203	Counter weight	1
	10012858 H	Counter weight	1
32	10010082	Screw	1
33	10010545	Screw	1
34	10010534	O-ring	1
35	10005020	Screw	2
36	10008910	Main shaft	1
37	10010541	Roller felt	1
38	10010540	Sleeve of adjusting pin	1
39	10010538	O-ring	1
40	10010504	Adjusting pin	2

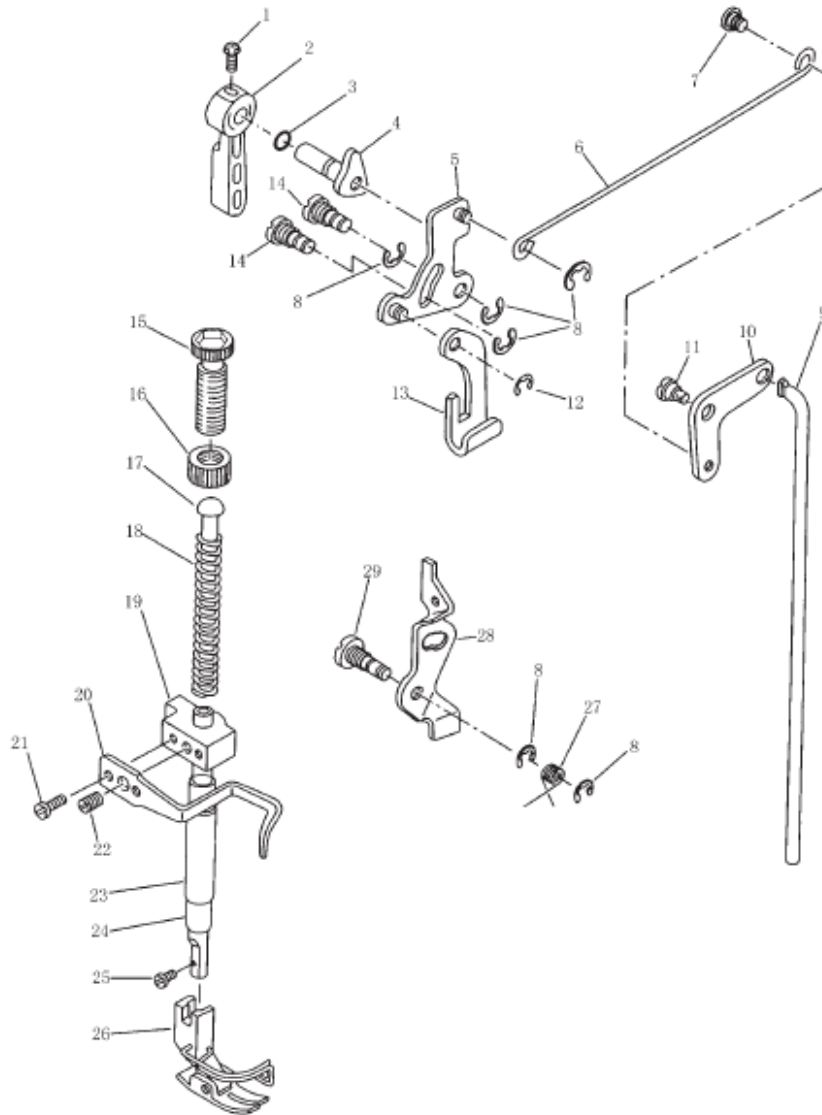
3. NEEDLE BAR & THREAD TENSION COMPONENTS



Ref. no.	Part no.	Description	Amt.
1	10010587	Rubber plug	1
2	10011063	Bearing support	1
3	10008825	Needle bar	1
	10014469 H	Needle bar	1
4	10010586	Slide block	1
5	10010590	Needle bar holder	1
6	10010643	Screw	1
7	10014117 H	Bearing support	1
	10005916	Bearing support	1
8	10010638	Needle bar thread guide	1
9	10010588	Screw	1
10	10010591	Needle bar thread guide	1
	10005945 H	Needle bar thread guide	1
11	10004898	Needle	1
	10004869 H	Needle	1
12	10008839	Tension release supporting pin	1
13	10010642	Spring	1
14	10004184	Thread release pin	1
15	10012981	Nut	1
16	10004199	Tension disc wtopper	1

17	10004176	Spring	1
17	10005941	Spring	1
18	10004179	Tension disc holder	1
19	10004180	Eensin disc	2
20	10004177	Screw	1
21	10004201	Spring	1
22	10006264	Screw	1
23	10010639	Tension post socket	1
24	10004200	Screw	1
25	10005020	Screw	2
26	10013000	Thread take-up device	1
	10012476 H	Thread take-up device	1
27	10010339	ARM oil shield ASM.	1
28	10004990	Screw	1
29	10010640	Three-hole thread eyelet	1
30	10008934	Screw	1

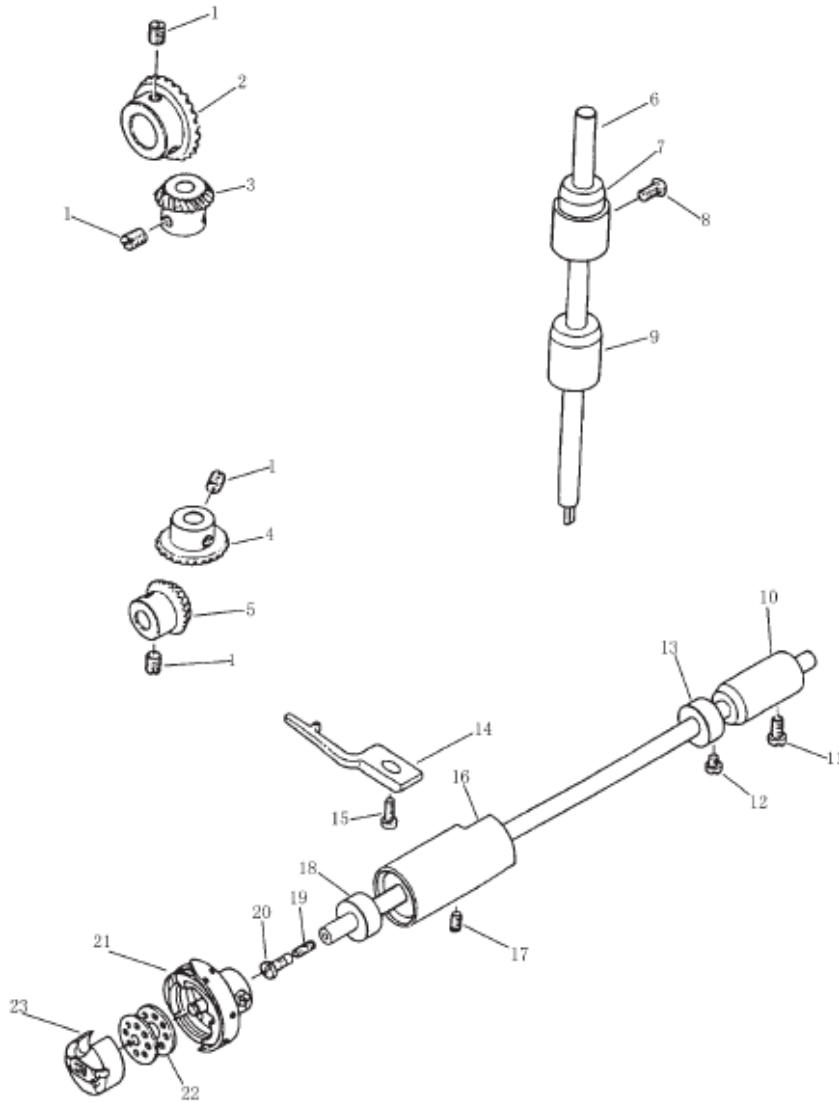
4. PRESSER FOOT COMPONENTS



Ref . no.	Part no.	Description	Amt.
1	10010016	Screw	1
2	10011064	Hand lofter	1
3	10010027	O-ring	1
4	10008826	Hand lofter CAM ASM.	1
	10013809 H	Hand lofter CAM ASM.	1
5	10008874	Hand lofter link ASM.	1
6	10010025	Lifting lever connecting rod	1
7	10010651	Screw	1
8	10010649	Snap ring	1
9	10010020	Connecting rod vertical	1
10	10010017	Lifting lever link	1
11	10010652	Screw	1
12	10010026	Snap ring	1
13	10010648	Lifting lever	1
14	10010653	Link shaft	2
15	10011022	Screw	1
16	10011023	Nut	1
17	10004439	Presser guide bar	1
18	10004473	Spring	1

19	10008843	Presser guide bar bracket	1
20	10010021	Presser bar thread guide	1
21	10010018	Screw	1
22	10003921	Screw	1
23	10014118	Bearing support	1
	10005915 H	Bearing support for heavy materials	1
24	10010646	Presser bar	1
25	10010650	Screw	1
26	10012449	Presser foot ASM.	1
	10005982 H	Presser foot ASM.	1
27	10010647	Spring	1
28	10010019	Tension release plate	1
29	10010022	Link shaft	1

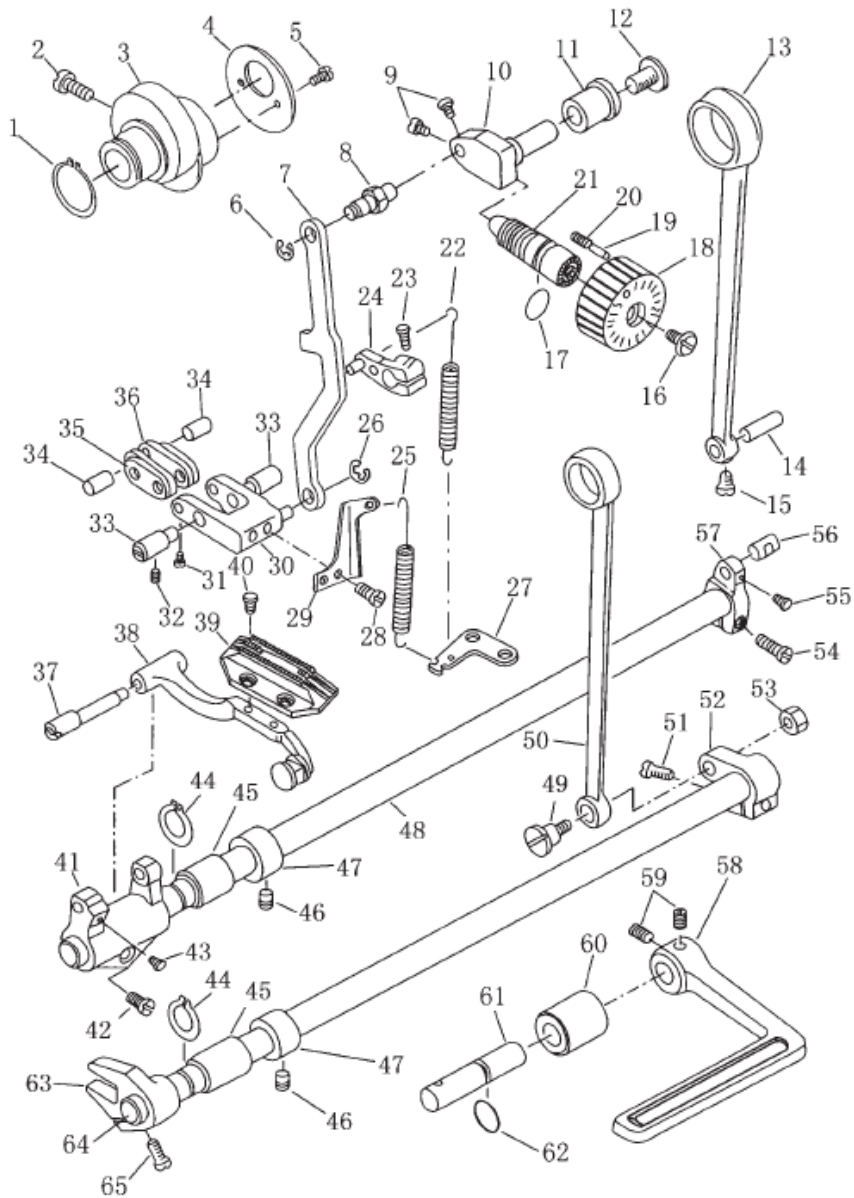
5. HOOK DRIVING SHAFT COMPONENTS



Ref. no.	Part no.	Description	Amt.
1	10010065	Screw	8
2	10010056	Gear	1
3	10010062	Gear	1
4	10010029	Gear	1
5	10003937	Upright shaft	1
6	10010057	Bearing support	1
7	10003961	Screw	1
8	10008972	Bearing support	1
9	10003964	Bearing support	1
10	10003931	Screw	1
11	10010030	Screw	1
12	10010059	Screw	2
13	10010058	Snap ring	1
14	10010067	Positioning finger	1

15	10010066	Screw	1
16	10004347	Bearing support	1
17	10010593	Screw	1
18	10011065	Oil seal	1
19	10010063 H	Oil wick	1
20	10010064	Screw	1
21	10023997	Hook	1
21	10007157 H	Hook for heavy fabrics	1
22	10010060	Bobbin	1
23	10003780	Bobbin case	1

6. FEED MECHANISM COMPONENTS



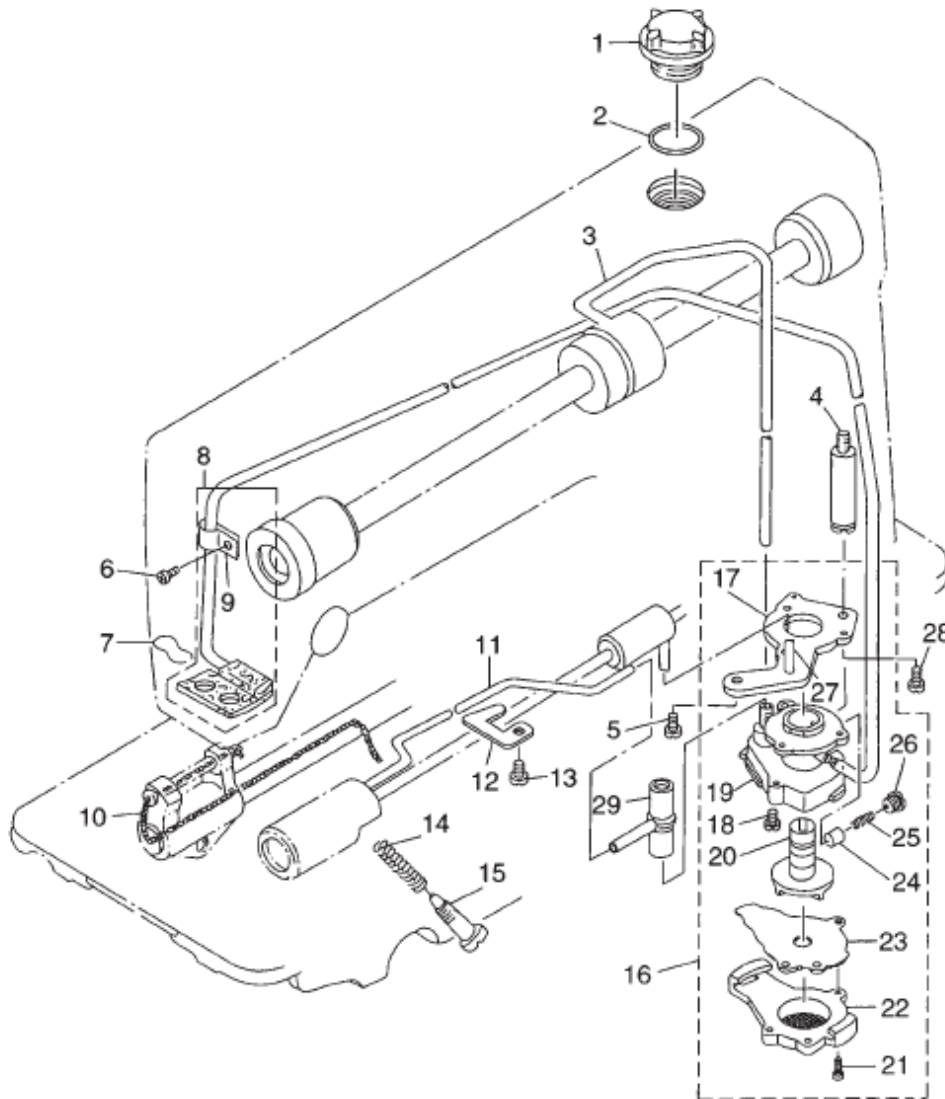
Ref. no.	Part no.	Description	Amt.
1	10010089	Snap ring	1
2	10010092	Screw	2
3	10010115	Feed drive eccentric cam	1
4	10010098	Thrust coler	1
5	10010643	Screw	1
6	10010649	Snap ring	1
7	10006317	Feed adjust rod	1
8	10008861	Pin	1
9	10010643	Screw	2
10	10008848	Feed regulator	1
11	10013772	Bearing support	1
12	10010238	Screw	1
13	10010072	Connecting rod	1
14	10010069	Pin	1

15	10010071	Screw	1
16	10010281	Screw	1
17	10010240	O-ring	1
18	10011024	Feed dial	1
19	10013870	Pin	1
20	10013869	Spring	1
21	10008829	Screw	1
22	10004430	Spring	1
23	10012024	Screw	1
24	90000342	Reverse feed arm ASM.	1
25	10010284	Spring	1
	10012991 H	Spring for heavy fabrics	1
26	10010649	Snap ring	1

27	10010235	Feed spring hook	1
	10012987 H	Feed spring hook for heavy material	1
28	10010285	Screw	2
29	10010282	Plate	1
30	10010088	Feed adjusting ASM.	1
31	10010071	Screw	2
32	10010506	Screw	2
33	10010102	Pin	2
34	10010087	Pin	2
35	10010075	Short link	2
36	10010068	Lang link	2
37	10004440	Pin	1
38	20002335	Feed bar ASM.	1
39	10008853	Feed dog	1
	10006005 H	Feed dog for heavy material	1
40	10010099	Screw	2
41	10004474	Feed bar driving crank	1
42	10025329	Screw	2
43	10010074	Screw	1
44	10010090	Snap ring	2
45	10014116	Bear support	1

46	10005020	Screw	4
47	10010542	Snap ring	2
48	10010073	Feed rocker shaft	1
49	10010091	Screw	1
50	10010084	Connecting rod	1
51	10010095	Screw	1
52	10010086	Lifting rocker	1
53	10004475	Nut	1
54	10010095	Screw	1
55	10010071	Screw	1
56	10010096	Pin	1
57	10010076	Feed rocker	1
58	20003459	Reverse feed controllever	1
59	10003921	Screw	2
60	10014119	Bearing support	1
61	10008827	Reverse feed shaft	1
62	10010243	O-ring	1
63	10010100	lifting fork	1
64	10010097	Feed driving shaft	1
65	10010093	Screw	1

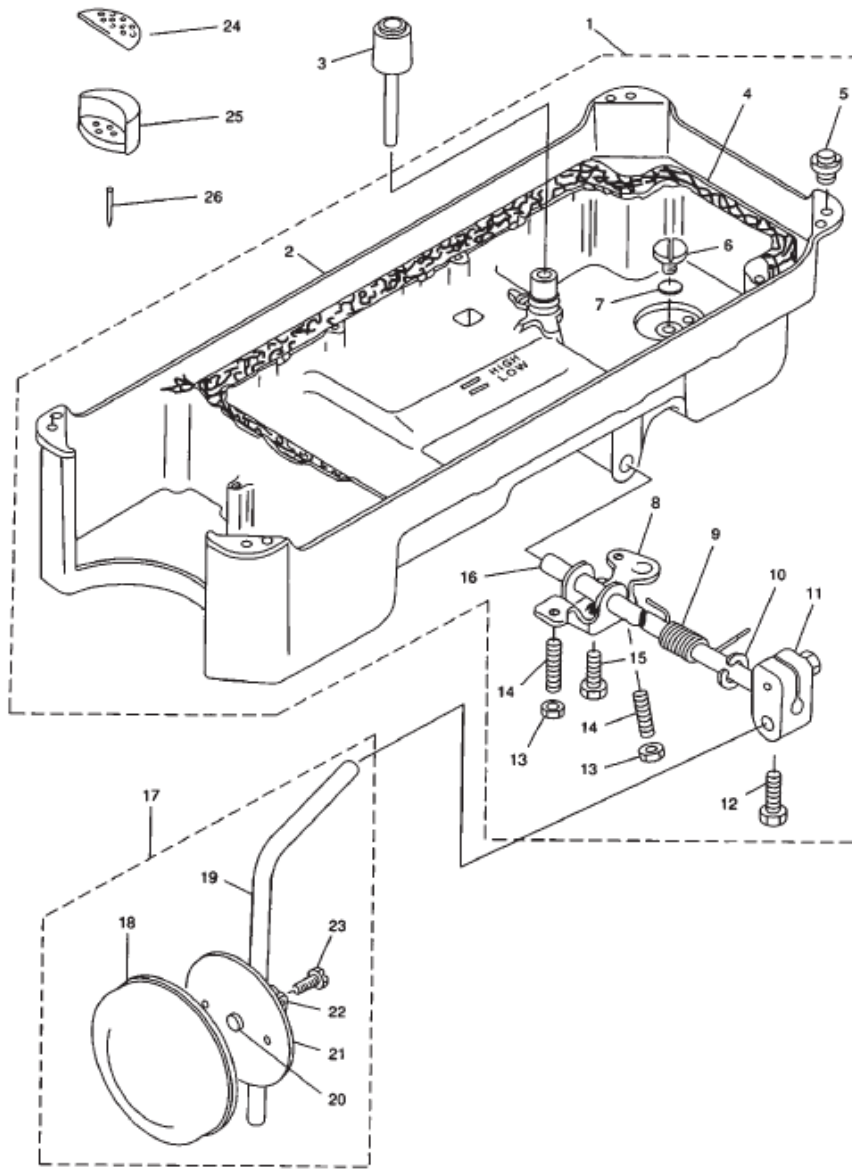
7. OIL LUBRICATION COMPONENTS



Ref. no.	Part no.	Description	Amt.
1	10008938	Oil sight window	1
2	10008939	Rubber ring	1
3	10010343	Main shaft oil tube	1
4	10010293	Oil pump support	1
5	10010292	Screw	1
6	10008934	Screw	1
7	10010294	Oil felt presser	1
8	20000778	Oil return tube ASM.	1
9	10004476	Holder	1
10	10004045	Oil wick	1
11	10010345	Oil tube	1
12	10010295	Tube holder lower	1
13	10010292	Screw	1
14	10010341	Spring	4
15	10010344	Oil adjusting screw	1

16	10008817	Oil pump ASM.	1
17	10004046	Oil pump installing base	1
18	10004062	Screw	3
19	10002476	Oil pump	1
20	10004063	Oil pump impeller	1
21	10004064	Screw	3
22	10004044	Oil pump cover	1
23	10004066	Oil pump impeller cover	1
24	10004056	Plunger	1
25	10004059	Plunger spring	1
26	10004043	Plunger Screw	1
27	10004060	Hook driving shaft oil tube	1
28	10010066	Screw	1
29	10010340	Oil tube joint	1

8. OIL RESERVOIR COMPONENTS

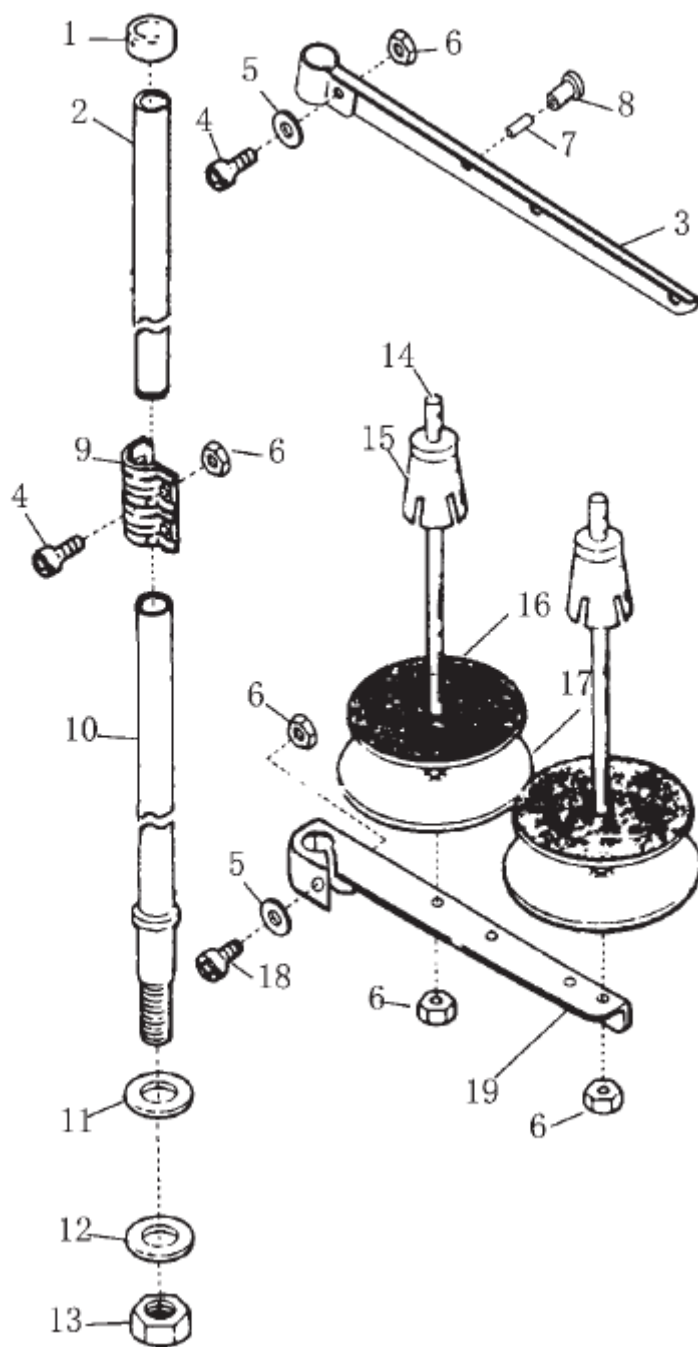


Ref. no.	Part no.	Description	Amt.
1	20005429	Oil reservoir ASM.	1
2	10008313	Oil reservoir ASM.	1
3	10004222	Pin	1
4	10014194	Oil reservoir gasket	1
5	10009993	Head gasket	4
6	10009991	Screw	1
7	10009988	Rubber ring	1
8	10009987	Crank	1
9	10003893	Twisting spring	1
10	10002559	Snap ring	1
11	10003896	Bracket	1
12	10003895	Screw	1
13	10003890	Nut	2
14	10003895	Screw	2

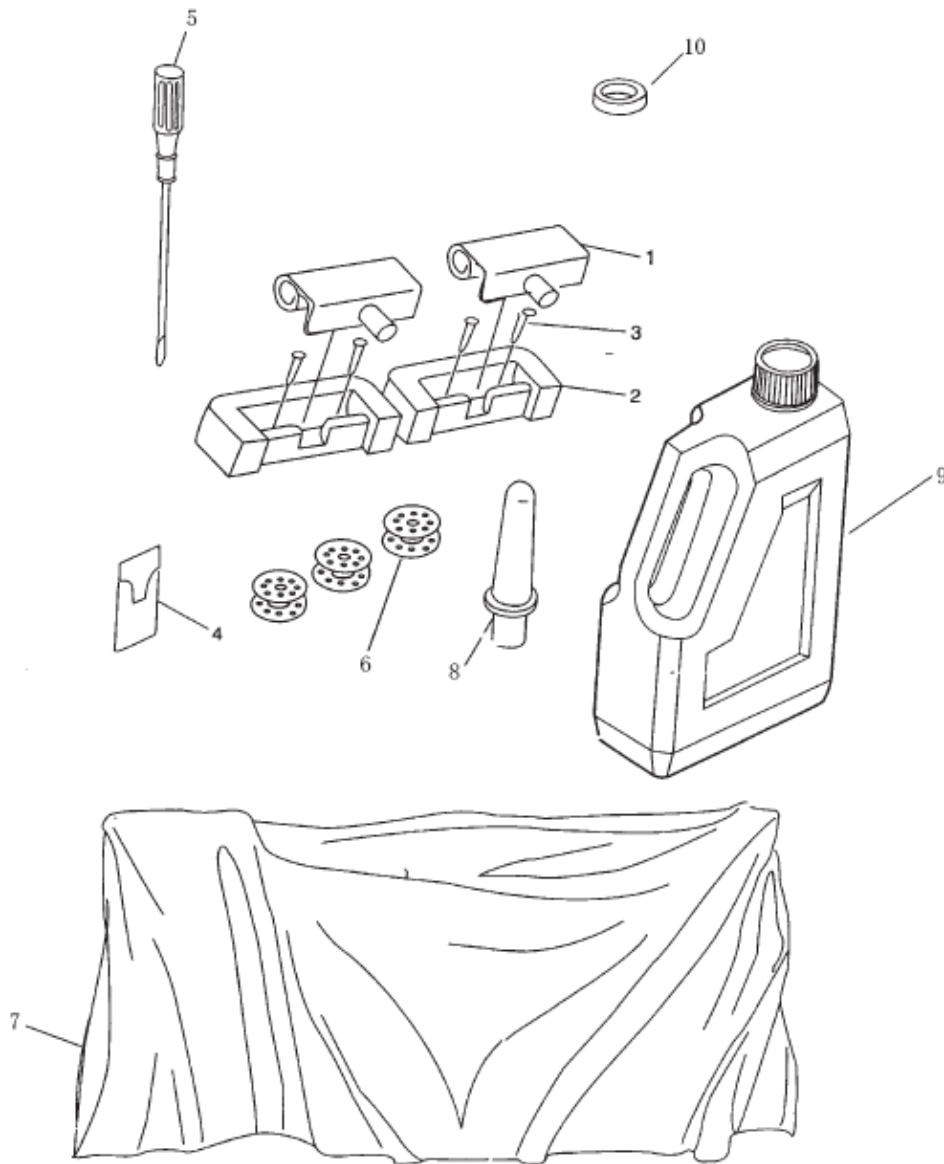
15	10003898	Screw	1
16	10003899	Knee pressing shaft	1
17	10009985	Knee pressing plate ASM.	1
18	10004223	Knee pressing plate cover	1
19	10003901	Knee pressing rod	1
20	10003900	Knee pressing plate rubber	1

9. THREAD STAND COMPONENTS

Ref. no.	Part no.	Description	Amt
1	10004282	Column cap	1
2	10004293	Column pipe (upper)	1
3	10004298	Thread hanger	1
4	10003301	Screw	1
5	10003022	Washer	4
6	10002953	Nut	1
7	10004289	Thread guide pipe	1
8	10004285	Thread guide bushing	1
9	10004286	Column pipe connector	1
10	10004291	Column pipe (lower)	1
11	10004295	Washer	1
12	10004290	Washer	1
13	10002985	Nut	2
14	10004288	Spool pin	2
15	10004287	Spool cushion	1
16	10004281	Spool mat	1
17	10004299	Spool seat disc	1
18	10003312	Screw	1
19	10004292	Thread hanger (lower)	1



10. ACCESSORIES



Ref. no.	Part no.	Description	Amt.
1	10004466	Head connecting hook	2
2	10011041	Head connecting hook socket	2
3	10003889	Nail	1
4	10003468	Needles 1 bag	1
4	10003633 H	Needles 1 bag for heavy materials	1
5	10010995	Screw driver(L)	1
6	10013185	Screw driver(M)	1
7	10010060	Screw driver(S)	1
8	10004492	Bobbin	3
9	10004514	Head cover	1
10	10004514	Head pole	1
11	10004290	Oil bottle with oil	1
12	10003892	Oil reservoir magnet	1

*H is option for machine for heavy materials



Dealer:

--