

Parts book
Mechatronic High Speed
Overlock Machine

Tre 04 N

Quattro 24 N

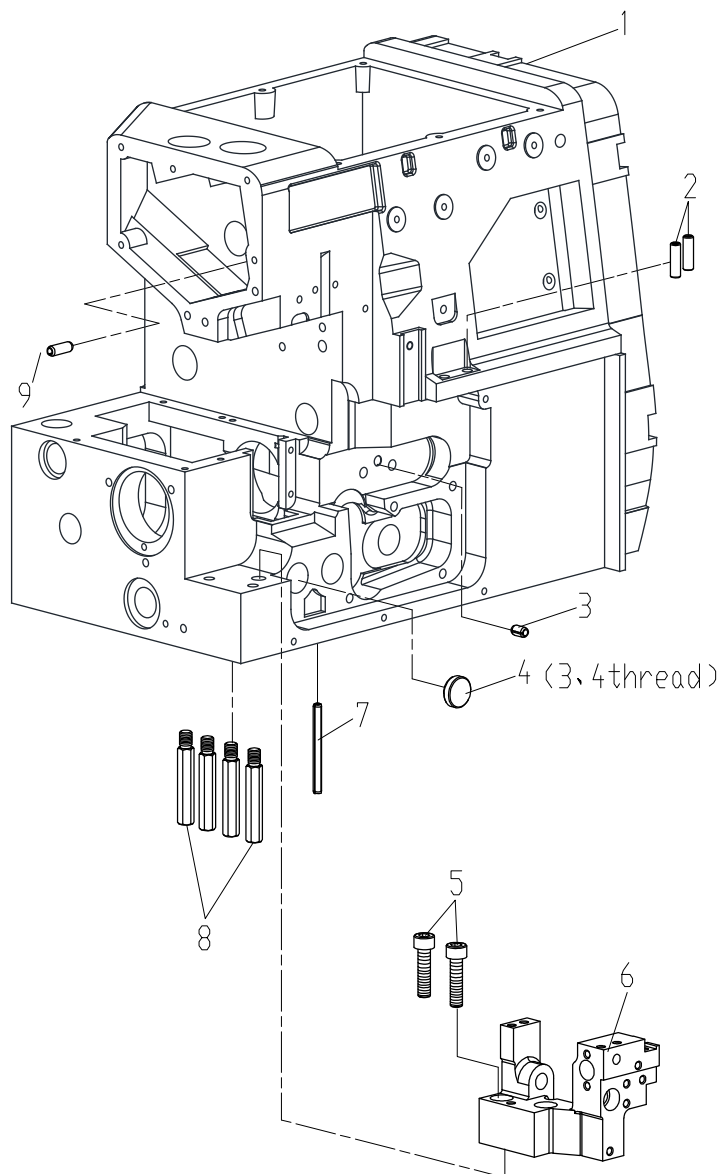
Cinque 35 N

 ***texi***

CONTENTS

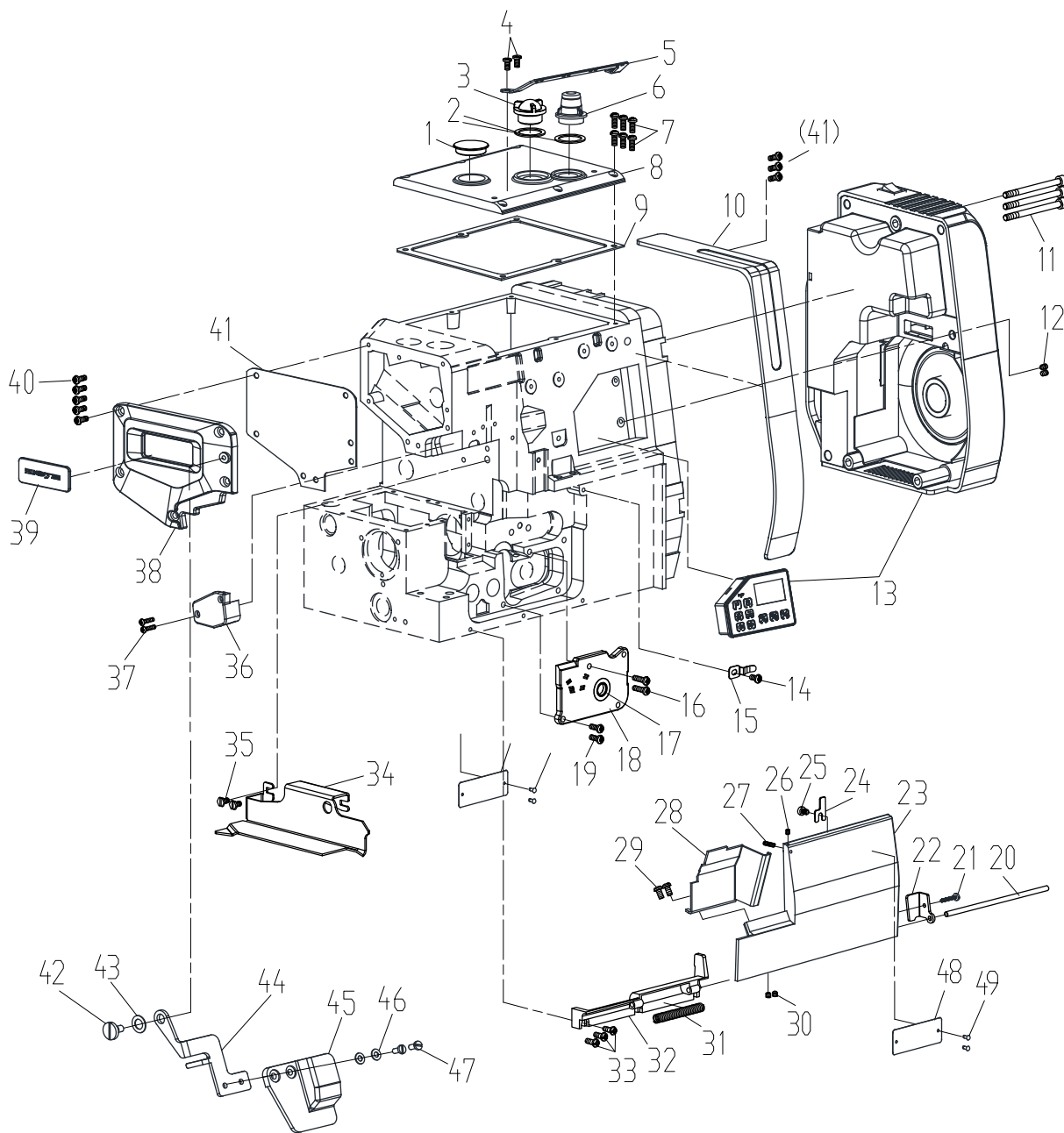
1. HOUSING FRAME.....	1
2. OUT COVER FRAME (1).....	2
3. OUT COVER FRAME (2).....	4
4. THREE AUTOMATIC FRAME.....	6
5. MAIN SHAFT MECHANISM.....	8
6. THREAD TENSION MECHANISM.....	10
7. NEEDLE DRIVE MECHANISM (1).....	11
8. NEEDLE DRIVE MECHANISM (2).....	13
9. UPPER LOOPER DRIVE MECHANISM.....	15
10. LOWER LOOPER MECHANISM.....	17
11. CHAIN STITCH LOOPER MECHANISM.....	19
12. CAM ASSEMBLY.....	21
13. DIFFERENTIAL FEED ASSEMBLY (1).....	23
14. DIFFERENTIAL FEED ASSEMBLY (2).....	25
15. KNIFE DRIVE ASSEMBLY.....	27
16. PRESSER FOOT ASSEMBLY.....	29
17. THREAD TAKE UP AND THREADING FRAME.....	31
18. LUBRICATION ASSEMBLY.....	33
19. HR DEVICE.....	35
20. OIL TANK BRACKET.....	37
 GAUGE PARTS LIST.....	 38

1. HOUSING FRAME



Ref. No.	Part No.	Description	QTY
1	20023847	housing	1
2	10054228	threading pipe for upper and lower loopers	2
3	10002836	pin	1
4	10008961	rubber plug	1
5	10009171	screw	2
6	10009050	lower knife bed	1
7	10002830	pin	1
8	10011847	support for housing	4
9	10002833	pin	1

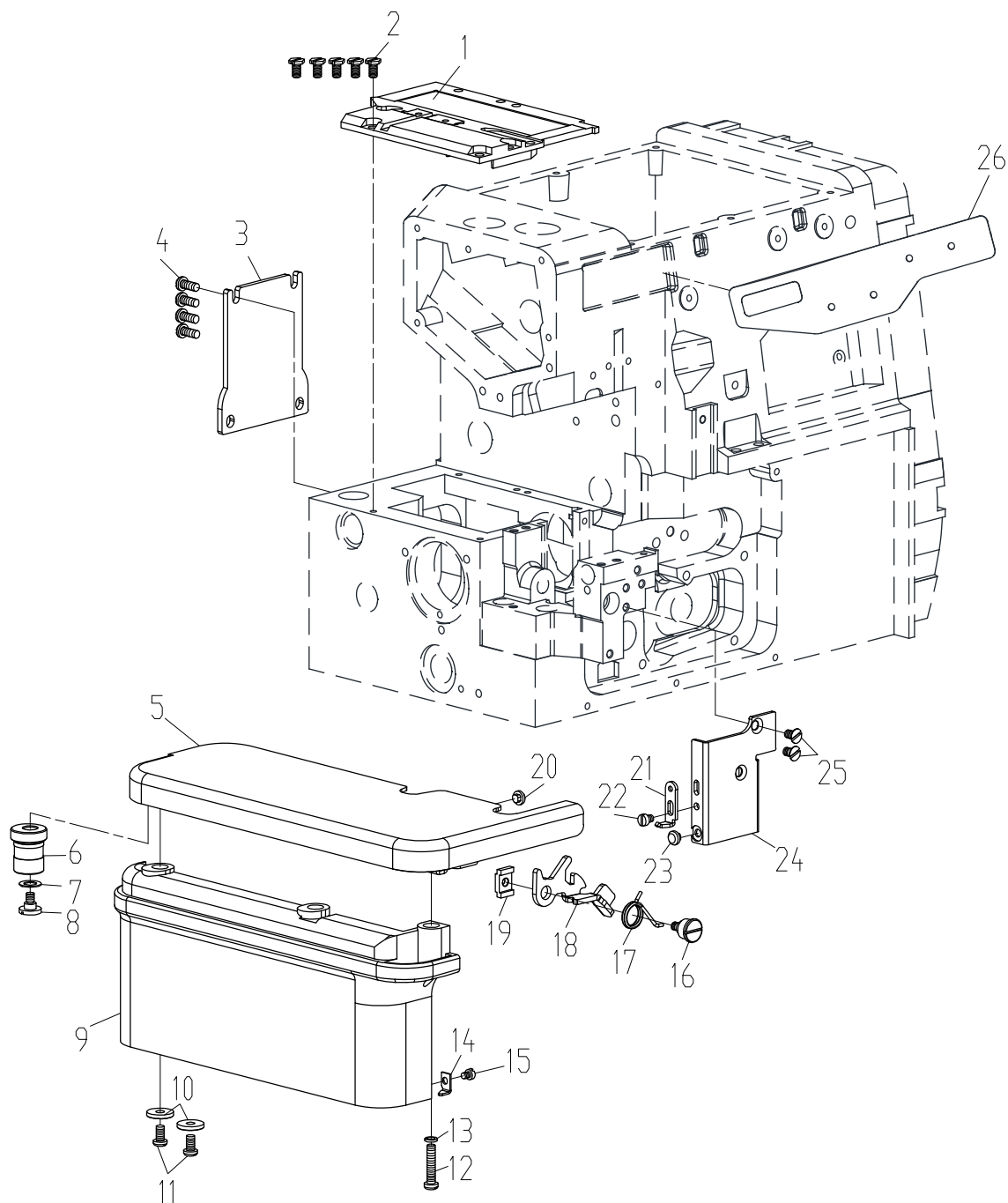
2. OUT COVER FRAME (1)



2. OUT COVER FRAME (1)

Ref. No.	Part No.	Description	QTY
1	10045754	rubber plug	1
2	10009156	oil window rubber ring	2
3	10008938	oil window	1
4	10010554	screw	2
5	10063871	a wire frame	1
6	10062483	oil window	1
7	10009104	screw	6
8	20023697	upper cover	1
9	10062480	seal cushion for upper cove	1
10	10062489	trim strip	1
11	10053560	screw	3
12	10003150	screw	2
13	☆	simple electronic control	1
14	10004171	screw	1
15	10033682	spring plate	1
16	10008965	screw	2
17	10009399	oil seal	1
18	10008917	cover for upper looer stand	1
19	10011044	screw	2
20	10062485	pin	1
21	10063870	screw	1
22	10008911	guiding plate	1
23	20023695	right part of the front cover	1
24	10059247	fender for right part of front cover	1
25	10004171	screw	1
26	10013019	screw	1
27	10009550	screw	1
28	10062482	midle part of the front cover	1
29	10010554	screw	2
30	10023463	screw	2
31	10009509	spring	1
32	10008880	supporting part	1
33	10009037	screw	3
34	10008920	the cover plate	1
35	10009157	screw	2
36	10064191	head lamp	1
37	10013938	screw	2
38	20023696	side cover	1
39	10062054	decoratire plate	1
40	10010594	screw	8
41	10062593	side gasket	1
42	10009044	screw	1
43	10010596	washer	1
44	10062486	support plate	1
45	10008878	safety cover	1
46	10009599	washer	2
47	10009600	screw	2
48	10064204	date of the card	1
49	10002840	rivet	2

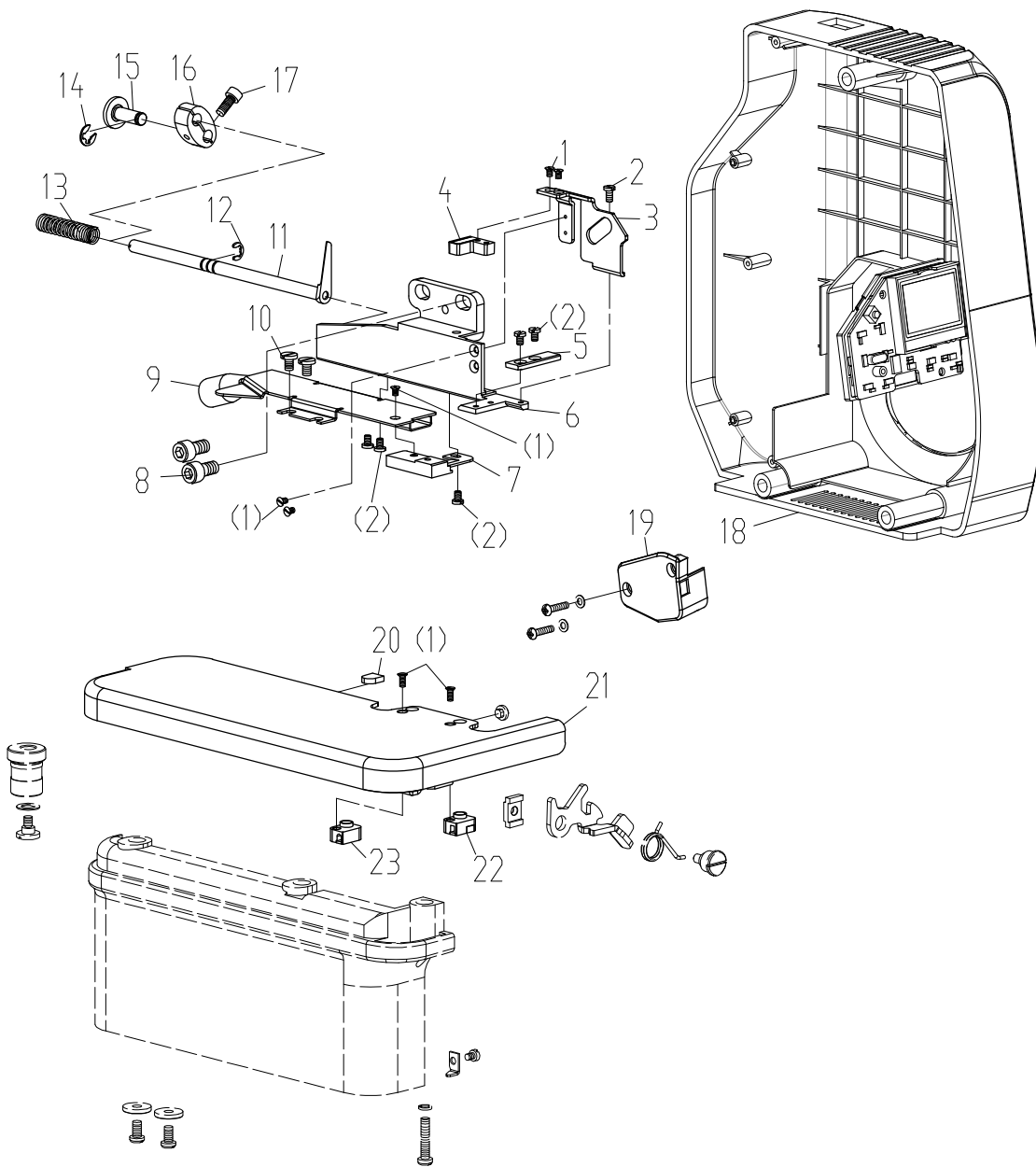
3. OUT COVER FRAME (2)



3. OUT COVER FRAME (2)

Ref. No.	Part No.	Description	QTY
1	10058546	left upper cover	1
2	10009157	screw	5
3	10033690	comp on ent of back cover	1
4	10009104	screw	4
5	10008967	component of surface cover	1
6	10009547	brass bush for surface cover	1
7	10010596	washer	1
8	10009044	screw	1
9	10009450	lower left side cover	1
10	10009537	washer	2
11	10010595	screw	2
12	10009291	screw	1
13	10008144	washer	1
14	10033700	position limiting plate	1
15	10009529	screw	1
16	10009546	screw	1
17	10009536	spring	1
18	10009535	grip part for surface cover	1
19	10009548	locking plate	1
20	10037505	quake-proof rubber cushion	1
21	10033689	baffle	1
22	10009514	screw	1
23	10037505	quake-proof rubber cushion	1
24	10008882	left part of front cover	1
25	10009514	screw	2
26	10063873	independnet logo lamp cover	1

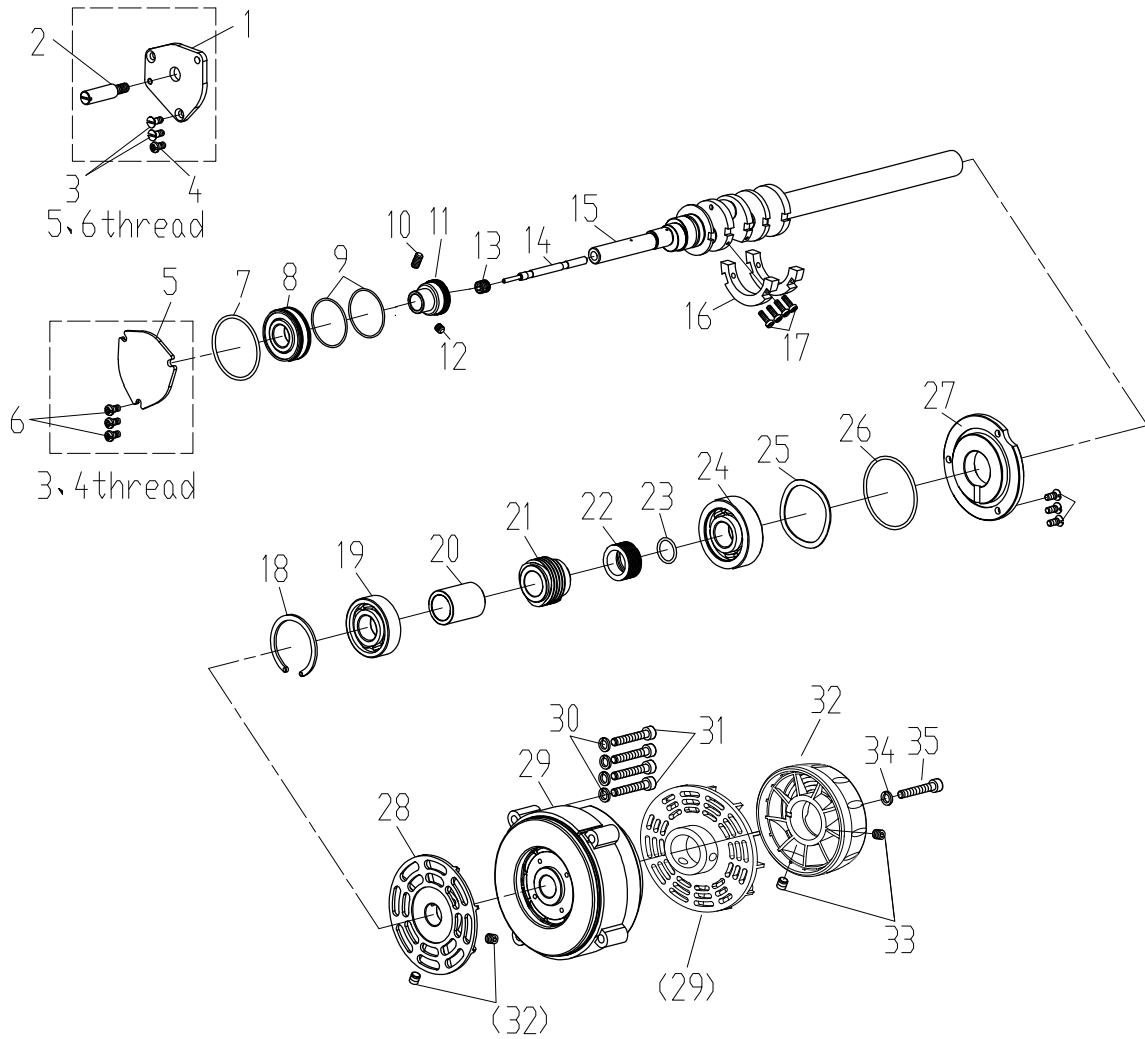
4. THREE AUTOMATIC FRAME



4. THREE AUTOMATIC FRAME

Ref. No.	Part No.	Description	QTY
1	10009379	screw	7
2	10038921	screw	6
3	10058568	guiding plate for safety switch presser foot	1
4	10059012	safety switch component of the presser foot	1
5	10037797	stationary knife	1
6	10037460	mount of cutter	1
7	10059003	sensor component of receiving the back cut	1
8	10003169	screw	2
9		(only for automatic version, not available on this model)	1
		(only for automatic version, not available on this model)	1
10	10014441	screw	2
11	10038985	moving cutter	1
12	10025649	split washer	1
13	10025648	spring	1
14	10013038	split washer	1
15	10037477	pin for connecting rod of cutter	1
16	10037475	connecting rod of cutter	1
17	10012752	screw	1
18	☆	automatic electric control	1
19	10062787	sensor component for emitter	1
20	10037469	magnet	1
21	10058548	component of surface cover	1
22	10058571	sensor component of the lifting presser foot	1
23	10059002	receiver component for front cut	1

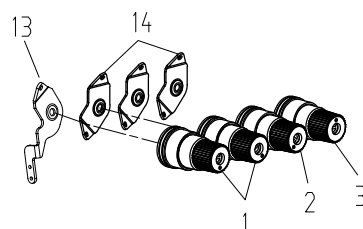
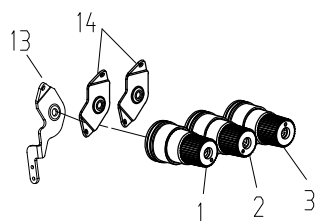
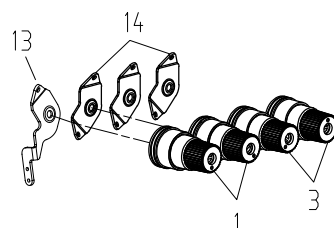
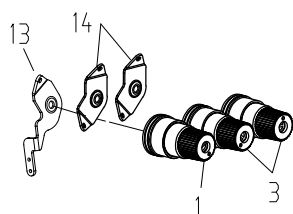
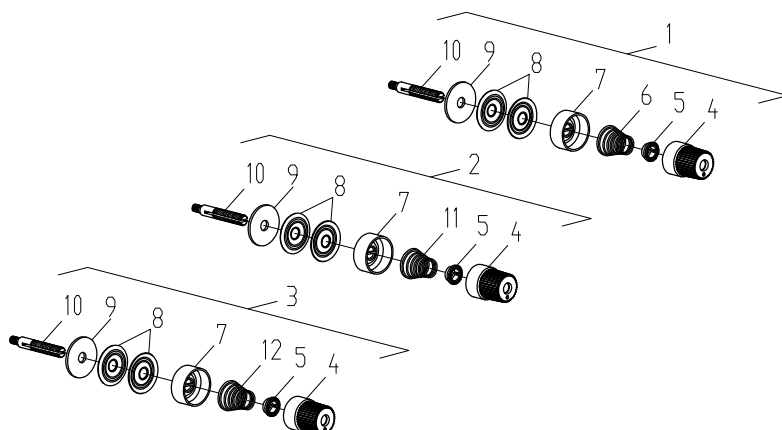
5. MAIN SHAFT MECHANISM



5. MAIN SHAFT MECHANISM

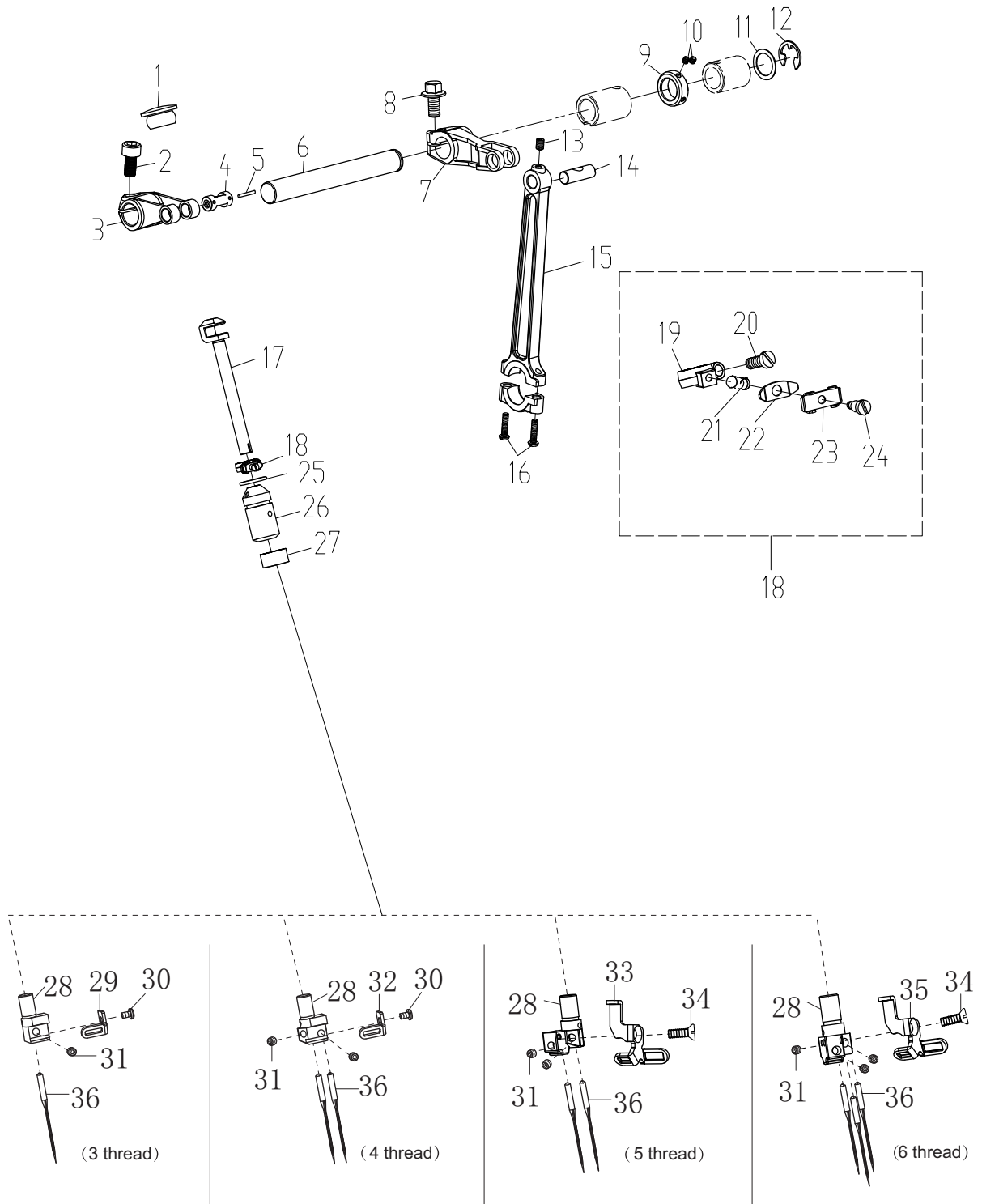
Ref. No.	Part No.	Description	QTY
1	10009643	left cover	1
2	10007842	screw	1
3	10009195	screw	5
4	10009104	screw	1
5	10009519	left cover	1
6	10010595	screw	3
7	10009448	O ring	1
8	10025895	bearing	1
9	10009334	O ring	2
10	10012162	screw	1
11	10002966	bush mounted in bearing	1
12	10009167	screw	1
13	10009187	screw	1
14	10009479	the spindle axis core	1
15	10058553	main shaft(general machine)	1
	10058550	main shaft(heavy machine)	1
16	10009402	balance block	1
17	10003001	screw	4
18	10008898	main shaft retainer ring	1
19	10009780	bearing	1
20	10009392	bush mounted in worm bush	1
21	10009362	wrom bush	1
22	10055917	bush mounted in screw	1
23	10009360	O ring	1
24	10055926	bearing	1
25	10055918	spring washer	1
26	10055919	O ring	1
27	10055920	right cover	1
28	10059605	fan	1
29	10059606	motor	1
30	10005537	washer	4
31	10001497	screw	4
32	10058555	hand wheel assembly	1
33	10003151	screw	4
34	10003249	washer	1
35	10001901	screw	1

6. THREAD TENSION MECHANISM



Ref. No.	Part No.	Description	QTY
1	10058522	thread tension aggregate for needle	1
2	10058523	thread tension aggregate for upper needle	1
3	10058524	thread tension aggregate for lower needle	1
4	10058521	thread tension nut	1
5	10003111	release-proof nut	1
6	10009534	spring	1
7	10058520	thread tension bowl	1
8	10003116	thread tension dish	2
9	10009010	cloth cushion	1
10	10003112	screw	1
11	10009532	spring	1
12	10009533	spring	1
13	10062470	thread guide plate with two hole	1
14	10057503	thread guide plate	3

7. NEEDLE DRIVE MECHANISM (1)

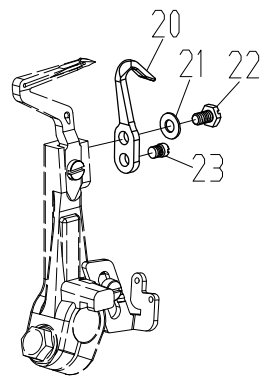
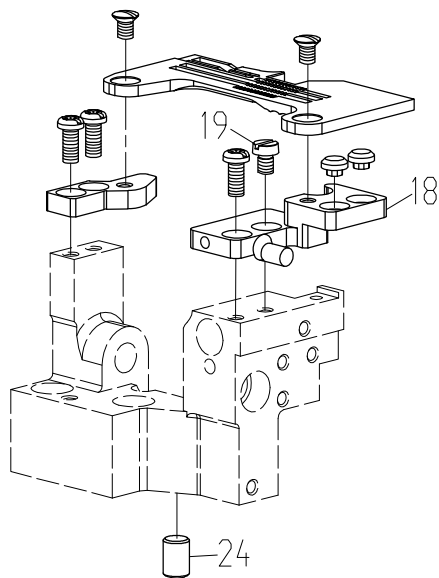
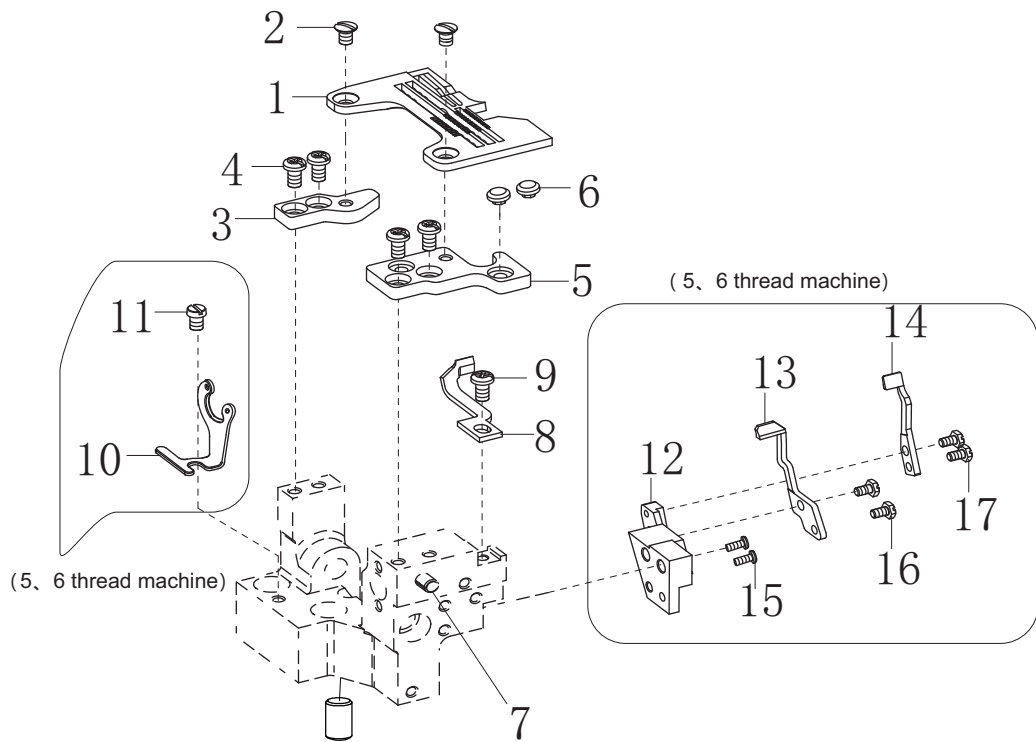


7. NEEDLE DRIVE MECHANISM (1)

Ref. No.	Part No.	Description	QTY
1	10009576	rubber plug	1
2	10009245	screw	1
3	10009374	crank on needle bar	1
4	10009345	crank pin for needle bar	1
5	10008090	oil wick	1
6	10009423	driving shaft for needle bar	1
7	10009433	crank on needle bar drive shaft	1
8	10009164	screw	1
9	10009357	retaining ring	1
10	10009074	screw	2
11	10033718	washer	1
12	10003273	retaining ring	1
13	10009109	screw	1
14	10009432	pin for connecting rod	1
15	10002961	connecting rod for needle bar	1
16	10002939	screw	2
17	10009386	needle bar	1
18	20001229	the needle clamp clip	1
19	10009344	the needle clamp clip	1
20	10010888	screw	1
21	10009400	spring	1
22	10009341	lower thread tension plate	1
23	10009386	upper thread tension plate	1
24	10009383	screw	1
25	10009391	O ring	1
26	10009401	needle bar bush	1
27	10009356	felt	1
28	*	needle holder	1
29	10003431	thread guide plate of needle holder	1
30	10009422	screw	1
31	10009255	screw	*
32	10009339	thread guide plate of needle holder	1
33	10009644	thread guide plate of needle holder	1
34	10009664	screw	1
35	10008205	thread guide plate of needle holder	1
36	*	needle	1

* : see the gauge list

8. NEEDLE DRIVE MECHANISM (2)

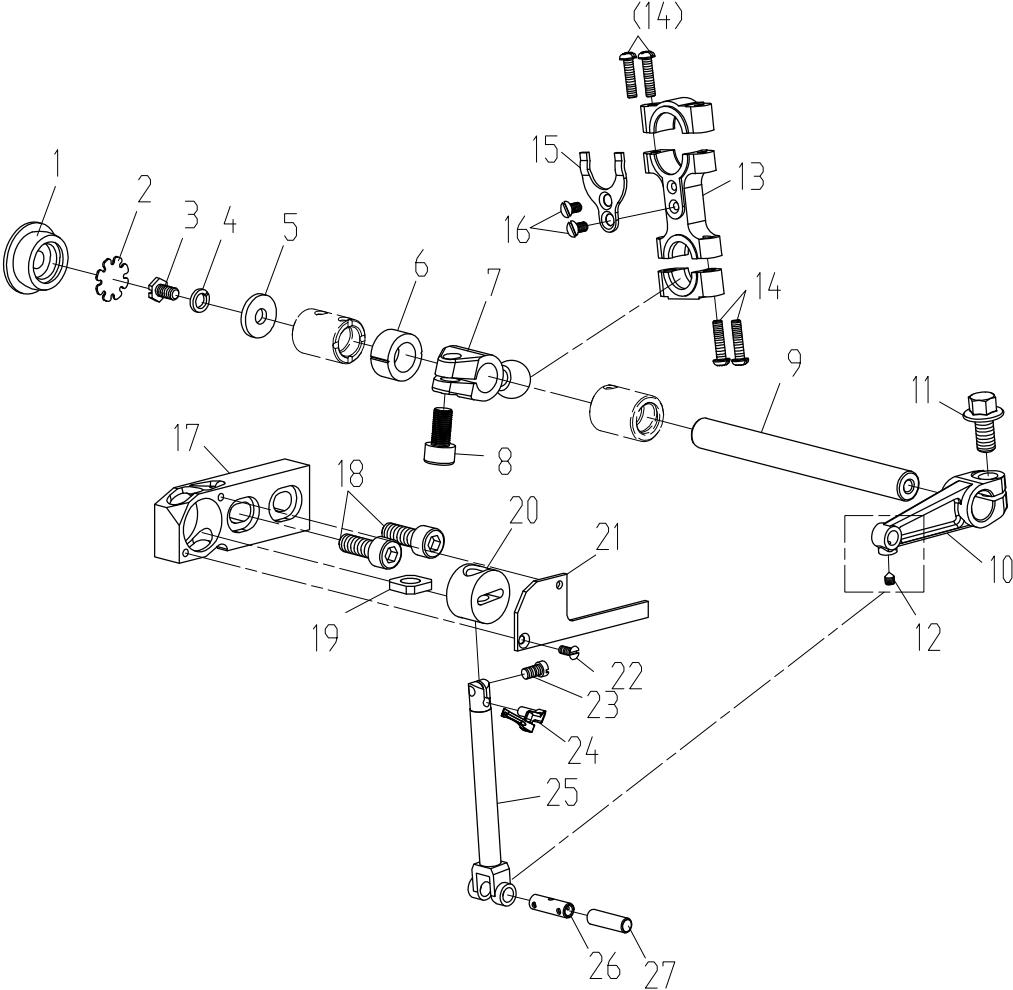


8. NEEDLE DRIVE MECHANISM (2)

Ref. No.	Part No.	Description	QTY
1	*	needle plate	1
2	10009290	screw	2
3	10009354	needle plate support	1
4	10010595	screw	4
5	10009420	base of needle guard	1
6	10061231	rubber cushion	2
7	10012905	pin	1
8	10009377	front needle guard(3, 4thread machine)	1
	10009637	front needle guard(5, 6thread machine)	1
9	10010595	screw	1
10	10040242	frent thread guide	1
11	10004171	screw	1
12	10009306	needle guard barcket	1
13	10009636	rear needle guard	1
14	10009657	front needle guard	1
15	10009638	screw	2
16	10010555	screw	2
17	10010555	screw	2
18	10058562	base of needle guard	1
19	10010554	screw	1
20	10009023	rear needle guard	1
21	10003274	washer	1
22	10009021	screw	1
23	10009020	screw	1
24	10009048	pin	1

*: see the gauge list

9. UPPER LOOPER DRIVE MECHANISM

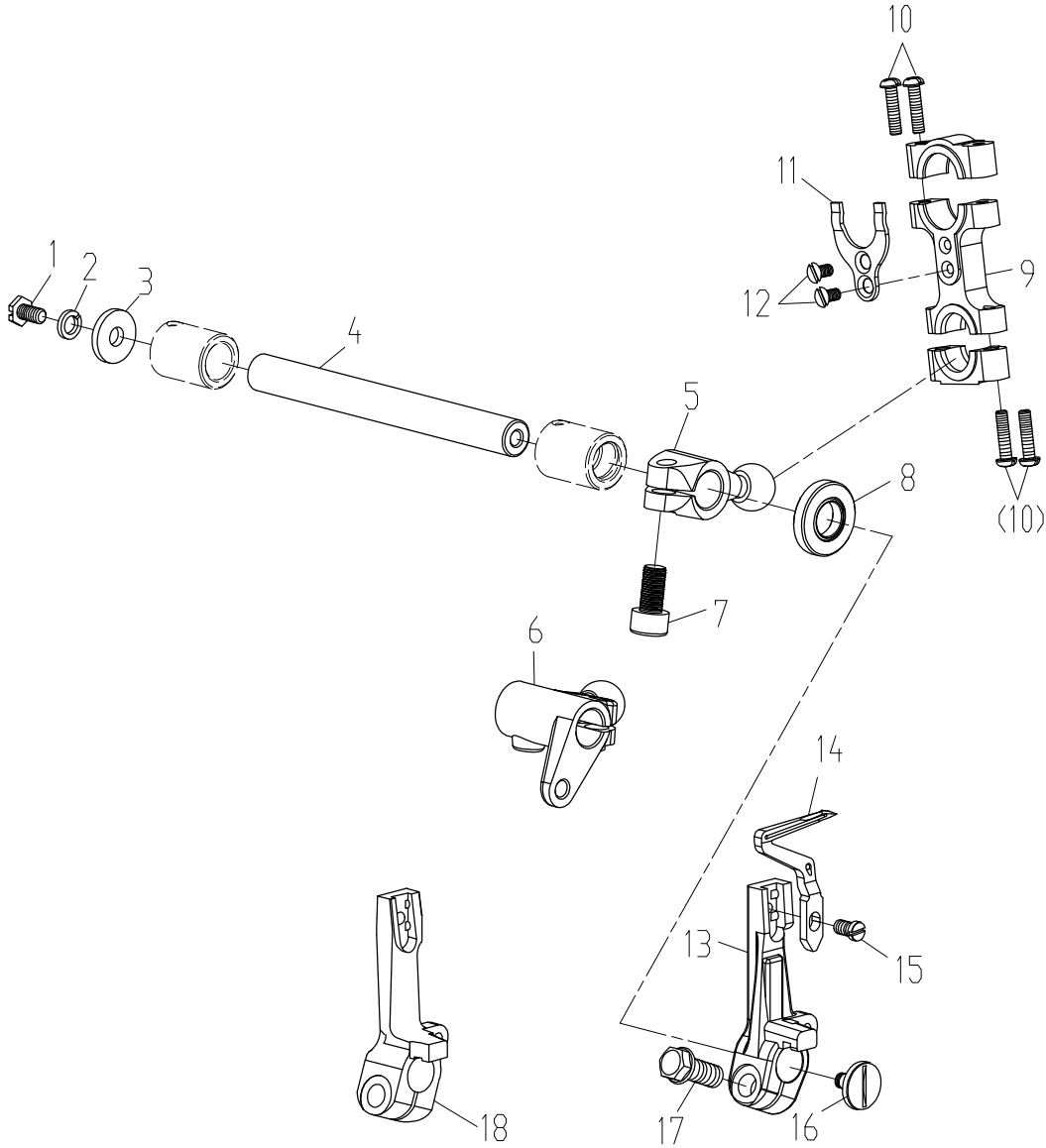


9. UPPER LOOPER DRIVE MECHANISM

Ref. No.	Part No.	Description	QTY
1	10039396	rubber plug	1
2	10039397	oil baffle frame	1
3	10009349	screw	1
4	10005537	washer	1
5	10033711	washer	1
6	10009338	retaining ring	1
7	10003062	crank bush with ball head for upper looper	1
8	10009164	screw	1
9	10009404	drive shaft for upper looper	1
10	10009373	swing bar for upper looper shaft	1
11	10009245	screw	1
12	10009240	screw	1
13	10003064	connecting bar for upper looper drive	1
14	10002939	screw	4
15	10009431	fender for connecting bar	1
16	10009626	screw	1
17	10002912	sliding bar bracket	1
18	10009008	screw	2
19	10009405	felt	1
20	10002905	sliding bar bush	1
21	10009370	cover plate	1
22	10009379	screw	1
23	10013969	screw	1
24	*	upper looper	1
25	10002913	sliding bar	1
26	10009406	pin	1
27	10008067	oil wick	1

* : see the gauge list

10. LOWER LOOPER MECHANISM

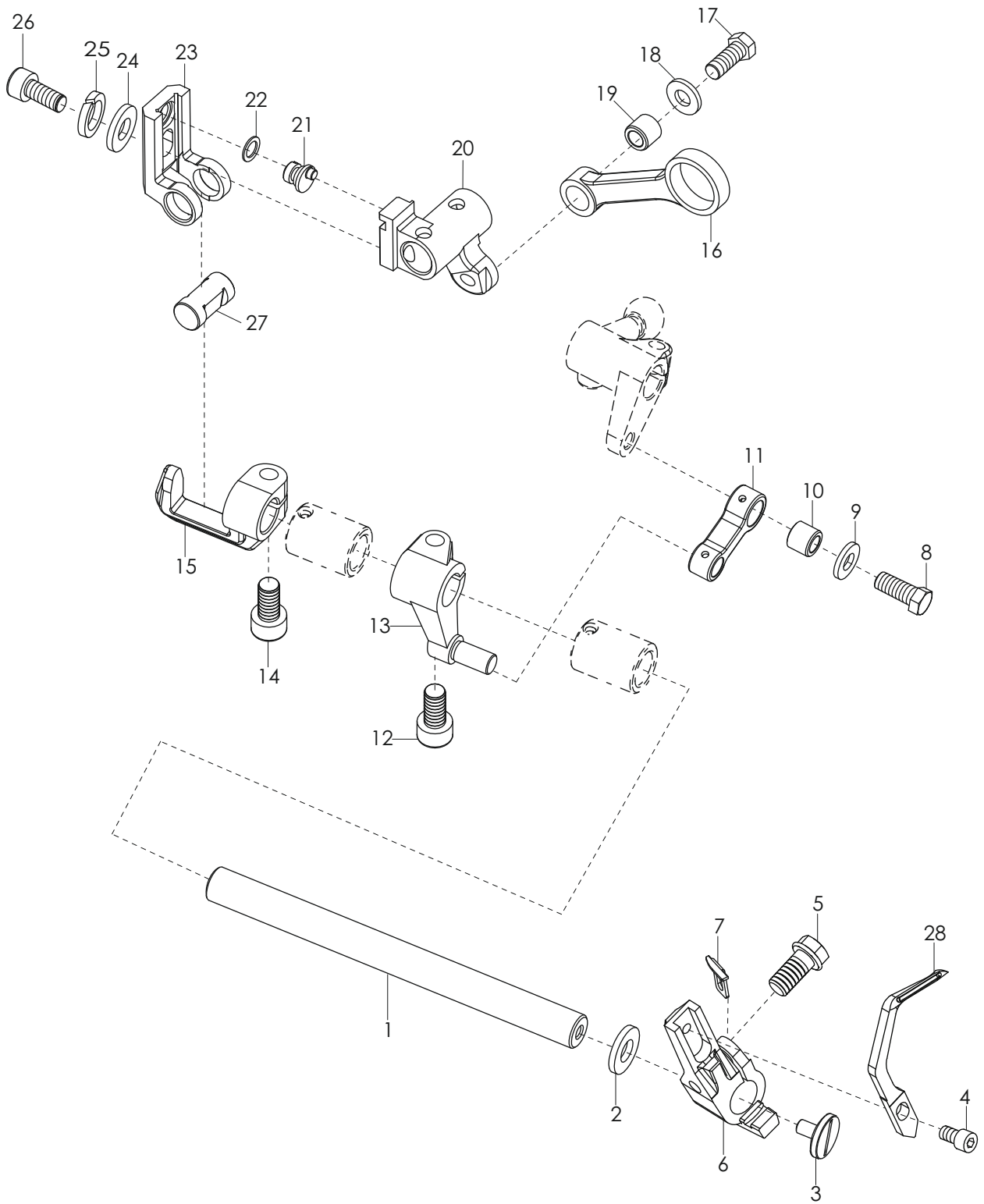


10. LOWER LOOPER MECHANISM

Ref. No.	Part No.	Description	QTY
1	10009349	screw	1
2	10005537	washer	1
3	10033711	washer	1
4	10009404	drive shaft for upper looper	1
5	10003061	crank bush with ball head for	1
6	10002825	left crank bush with chain stitch looper	1
7	10009164	screw	1
8	10009399	seal ring	1
9	10003064	connecting bar for upper looper	1
10	10002939	screw	4
11	10009431	fender for connecting bar	1
12	10009626	screw	2
13	10009026	stand for lower looper	1
14	*	upper looper	1
15	10000164	screw	1
16	10009394	screw	1
17	10031107	screw	1
18	10059412	stand for lower looper	1

* : see the gauge list

11. CHAIN STITCH LOOPER MECHANISM

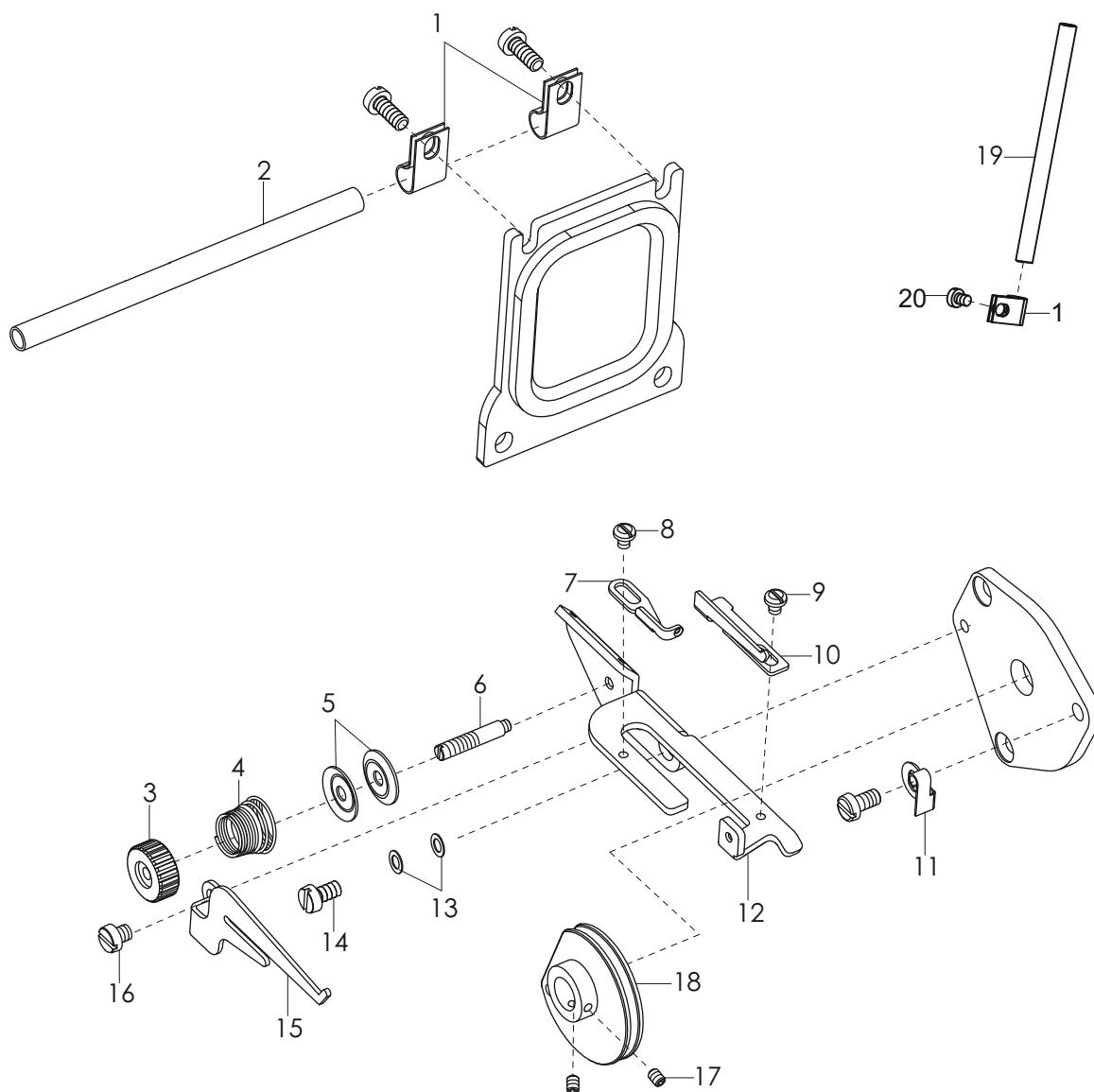


11. CHAIN STITCH LOOPER MECHANISM

Ref. No.	Part No.	Description	QTY
1	10009309	shaft for chain stitch looper	1
2	10009071	seal ring	1
3	10009394	screw	1
4	10010643	screw	2
5	10009310	screw	2
6	10009307	stand of chain stitch looper	1
7	10003294	blocking ring	1
8	10009142	screw	2
9	10009192	washer	1
10	10023487	needle pin for connecting bar	1
11	10009186	connecting bar of feed dog	1
12	10009245	screw	1
13	10009302	swing crank	1
14	10009245	screw	1
15	10009305	swing fork	1
16	10047854	connecting bar for chain stitch looper	1
17	10009142	screw	1
18	10009192	washer	1
19	10023487	needle pin for connecting bar	1
20	10009308	crank of regulator	1
21	10009311	pin	1
22	10009641	O ring	1
23	10009303	base of regulator	1
24	10009192	washer	1
25	10005537	washer	1
26	10014210	screw	1
27	10034624	shaft of adjusting bar	1
28	*	chain stitch looper	1

* : see the gauge list

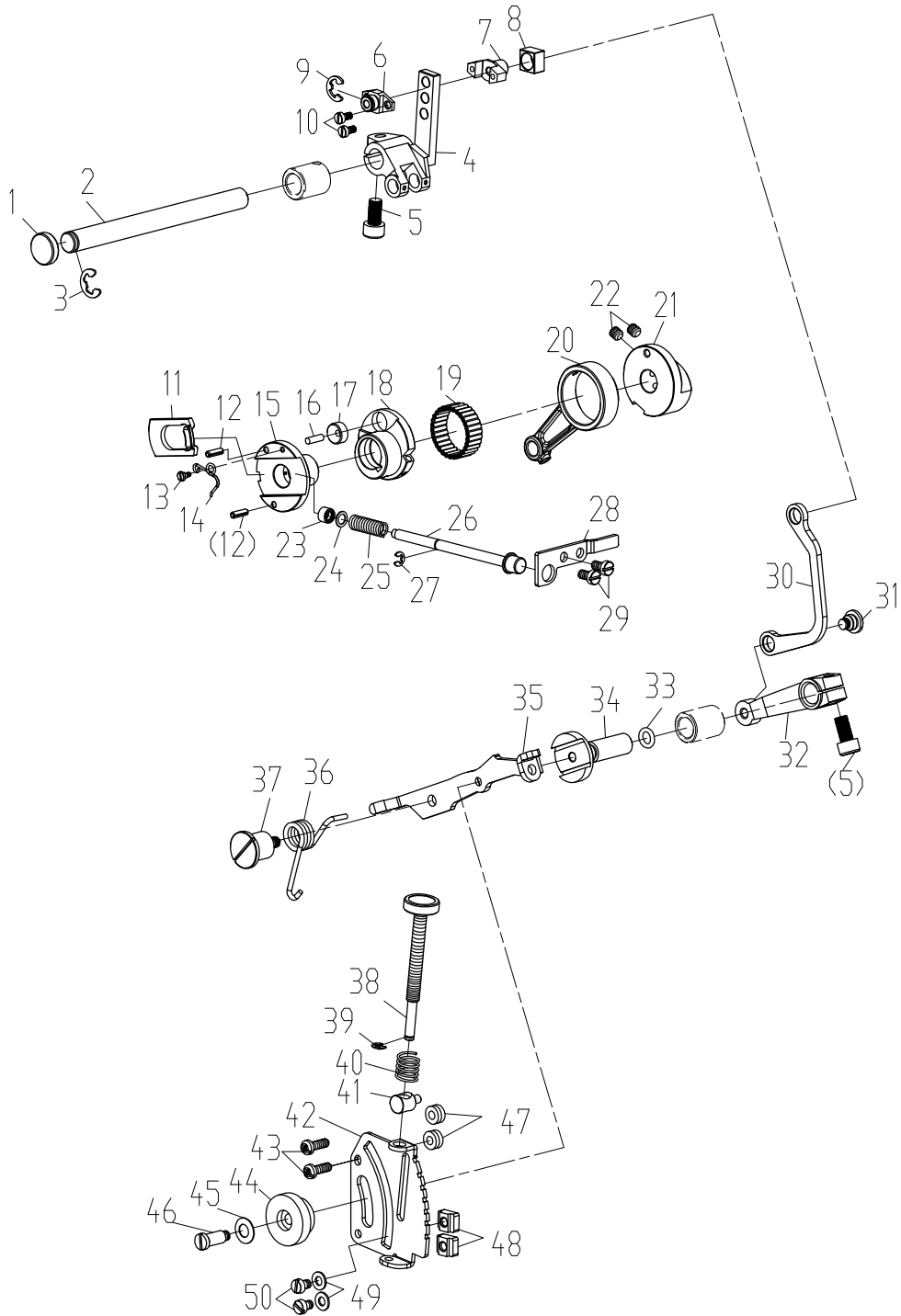
12. CAM ASSEMBLY



12. CAM ASSEMBLY

Ref. No.	Part No.	Description	QTY
1	10010693	elastic clamp for thread guide	3
2	10009283	horizontal thread guide pipe	1
3	10010609	thread tension nut	1
4	10010612	spring	1
5	10010613	thread tension dish	2
6	10010610	screw	1
7	10010654	thread guide plate	1
8	10009529	screw	1
9	10009529	screw	1
10	10010614	thread guide plate	1
11	10010596	washer	1
12	10010611	thread tension stand	1
13	10010596	washer	2
14	10010556	screw	1
15	10033740	thread take-up stand	1
16	10004171	screw	1
17	10010664	thread take-up cam assembly	1
18	10010196	screw	2
19	10009285	the vertical line pipe	1
20	10009556	screw	1

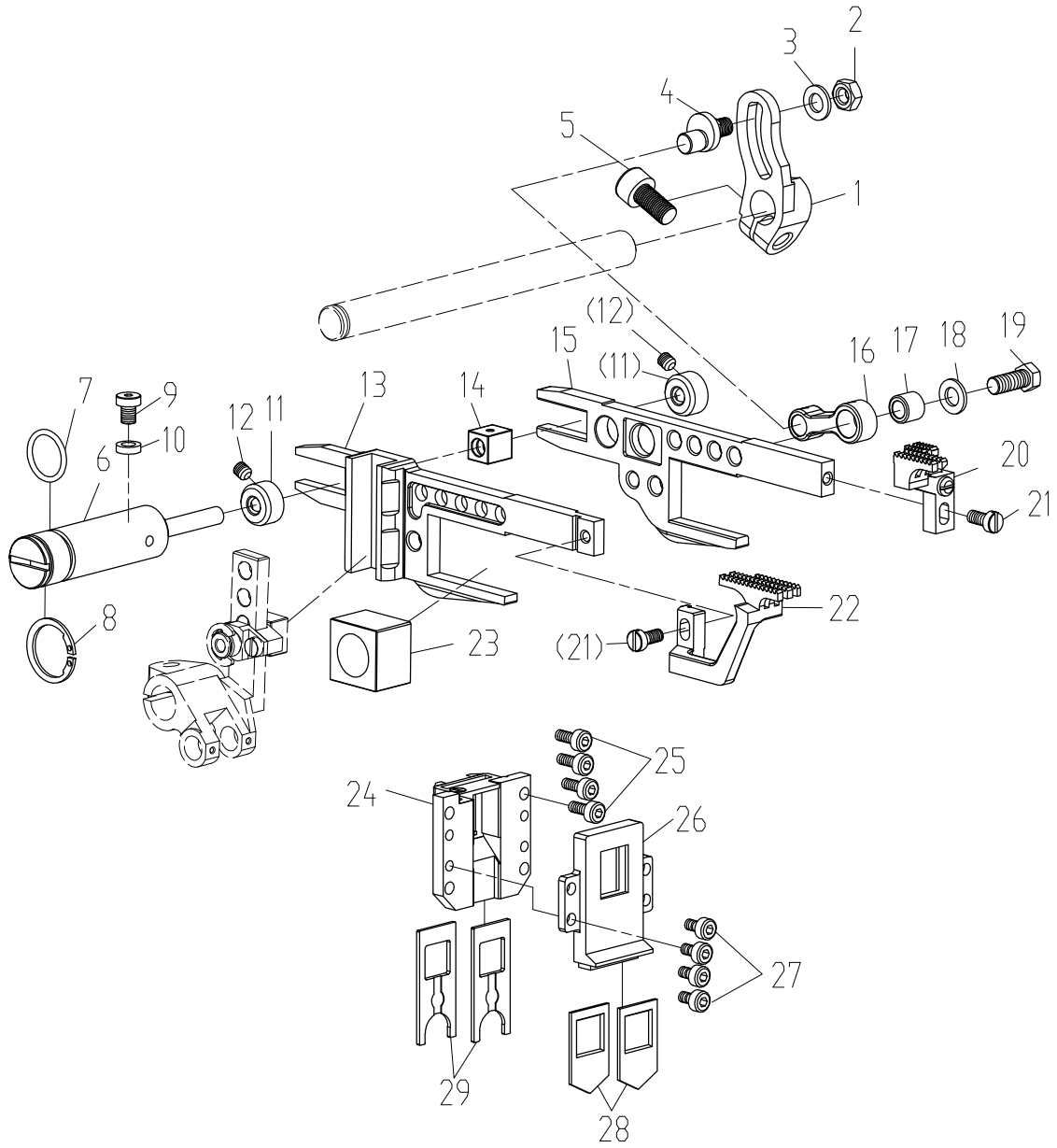
13. DIFFERENTIAL FEED ASSEMBLY (1)



13. DIFFERENTIAL FEED ASSEMBLY (1)

Ref. No.	Part No.	Description	QTY
1	10008961	rubber plug	1
2	10009198	feeding shaft	1
3	10009239	retaining spring	1
4	10002593	right crank of differential regulator	1
5	10009164	screw	2
6	10002591	crank slide trollgh cover	1
7	10002592	crank slide trollgh	1
8	10009139	sliding block	1
9	10008989	retaining spring	1
10	10009625	screw	2
11	10012162	sliding block with inner teeth	1
12	10009298	Pin	2
13	10002890	screw	1
14	10002887	spring	1
15	10002885	adjusting cam for stitch length	1
16	10003219	pin	1
17	10003218	guiding wheel of feeding eccentric wheel	1
18	10009327	feeding eccentric wheel	1
19	10002888	bearing	1
20	10002946	connecting bar	1
21	10002977	eccentric wheel of stitch length regulator	1
22	10012162	screw	2
23	10053036	oil seal	1
24	10009246	washer	1
25	10009248	spring	1
26	10009249	button shaft	1
27	10003248	retaining spring	1
28	10009040	plate	1
29	10010595	screw	2
30	10009000	differential regulating connecting rod	1
31	10009624	screw	1
32	10009256	left crank of differential regulator	1
33	10009608	O ring	1
34	10034607	shaft of differential regulator	1
35	10009224	adjusting bar	1
36	10009563	spring	1
37	10009558	screw	1
38	10009218	screw	1
39	10003248	retaining spring	1
40	10009205	spring	1
41	10009203	nut	1
42	10009223	indication plate of adjustment	1
43	10009037	screw	2
44	10009565	nut	1
45	10009564	washer	1
46	10009562	screw	1
47	10009200	washer	2
48	10009221	position plate	2
49	10003083	washer	2
50	10010554	screw	2

14. DIFFERENTIAL FEED ASSEMBLY (2)

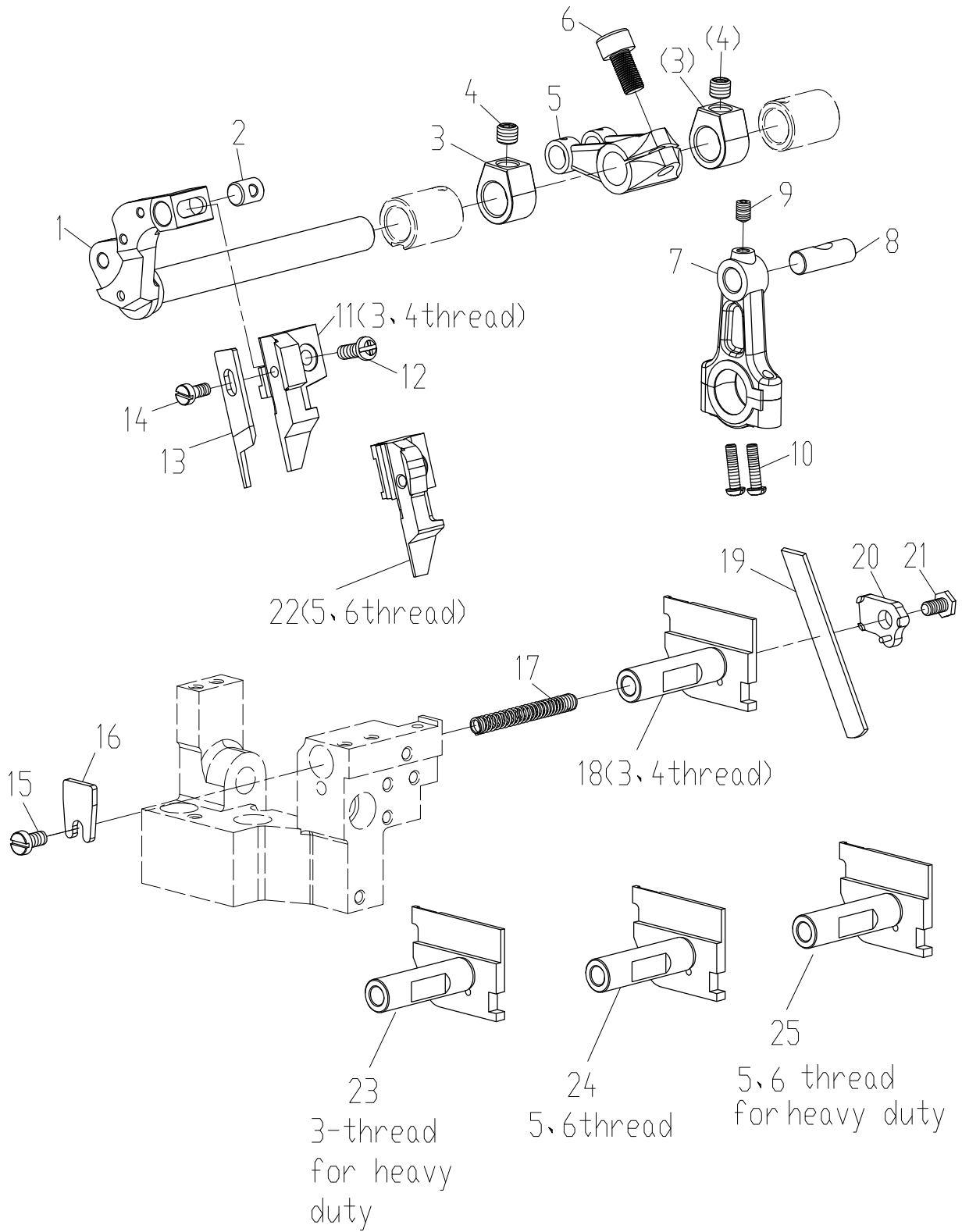


14. DIFFERENTIAL FEED ASSEMBLY (2)

Ref. No.	Part No.	Description	QTY
1	10009194	crank with rectangular shaft	1
2	10009467	nut	1
3	10009192	washer	1
4	10009193	pin with thread for feeding connecting rod	1
5	10009164	screw	1
6	10009137	eccentric shaft	1
7	10009135	O ring	1
8	10009136	spring	1
9	10009117	screw	1
10	10009114	rubber cushion	1
11	10009166	washer	1
12	10009074	screw	1
13	10009140	stand of differential feed dog	1
14	10009134	sliding block	1
15	10009141	stand of feed dog	1
16	10066197	feeding connecting rod	1
17	10023487	bush connecting rod	1
18	10009192	washer	1
19	10009142	screw	1
20	*	body of main feed dog	1
21	10009586	screw	2
22	*	differential feed dog	1
23	10009133	sliding block for feed dog lifting	1
24	10036169	guiding plate of feed dog stand	1
25	10009102	screw	4
26	10009161	outer oil seal stand	1
27	10002975	screw	4
28	10009081	oil seal	2
29	10037823	oil seal	2

* : see the gauge list

15. KNIFE DRIVE ASSEMBLY

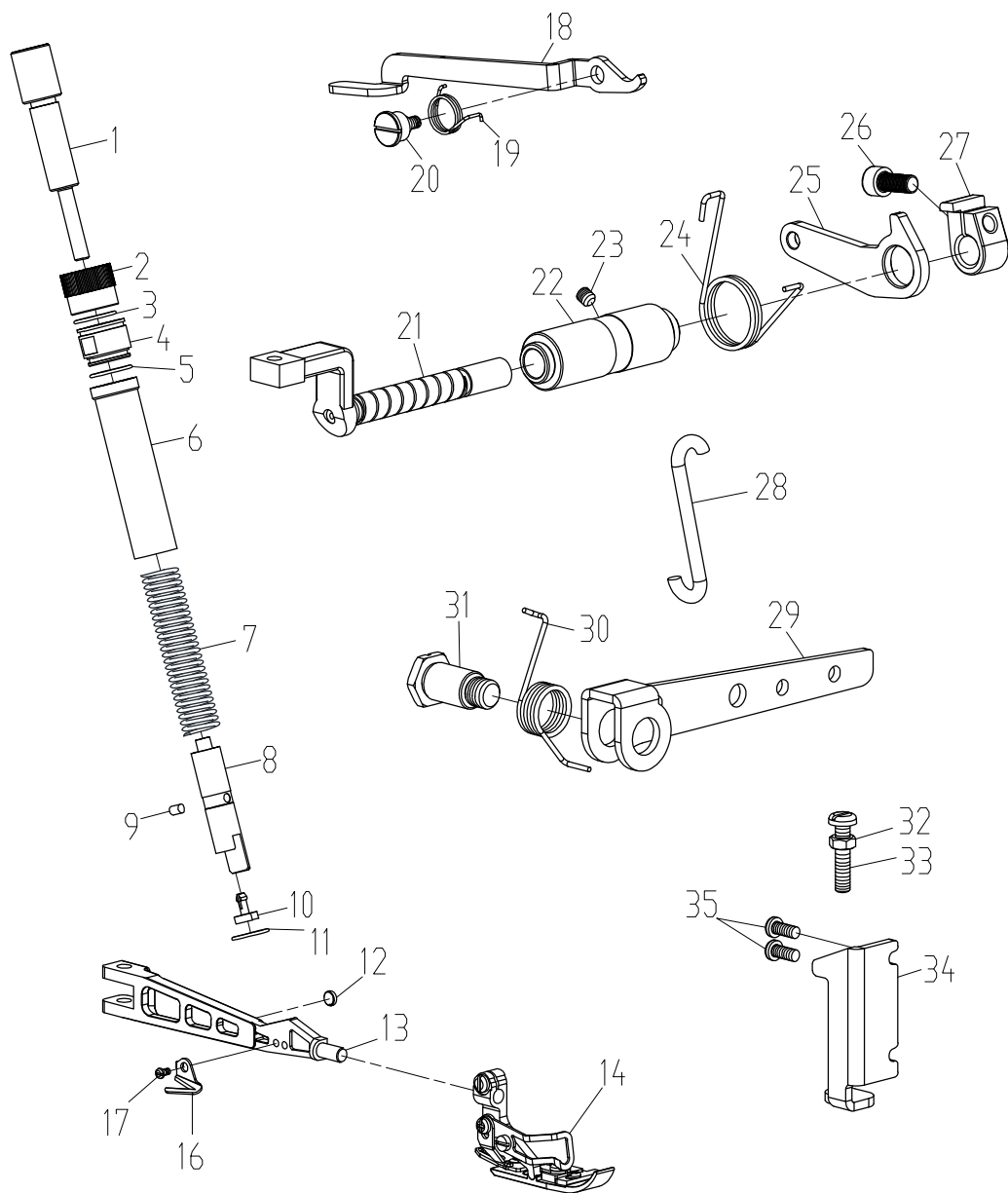


15. KNIFE DRIVE ASSEMBLY

Ref. No.	Part No.	Description	QTY
1	10037470	shaft of upper knife drive	1
2	10009070	fastening pin for upper knife holder	1
3	10009078	retaining ring	2
4	10011177	screw	2
5	10009434	crank of upper knife drive	1
6	10009164	screw	1
7	10002942	connecting bar of upper knife drive	1
8	10009432	pin for connecting bar	1
9	10009109	screw	1
10	10002939	screw	2
11	10009068	upper knife holder	1
12	10009037	screw	1
13	*	upper knife	1
14	10009483	screw	1
15	10009075	screw	1
16	10058572	fender of spring	1
17	10014399	spring	1
18	10009045	lower knife holder	1
19	*	lower knife	1
20	10009043	press plate for lower knife	1
21	10055368	screw	1
22	10009656	upper knife holder	1
23	10008165	lower knife holder	1
24	10009301	lower knife holder	1
25	10023652	lower knife holder	1

* : see the gauge list

16. PRESSER FOOT ASSEMBLY

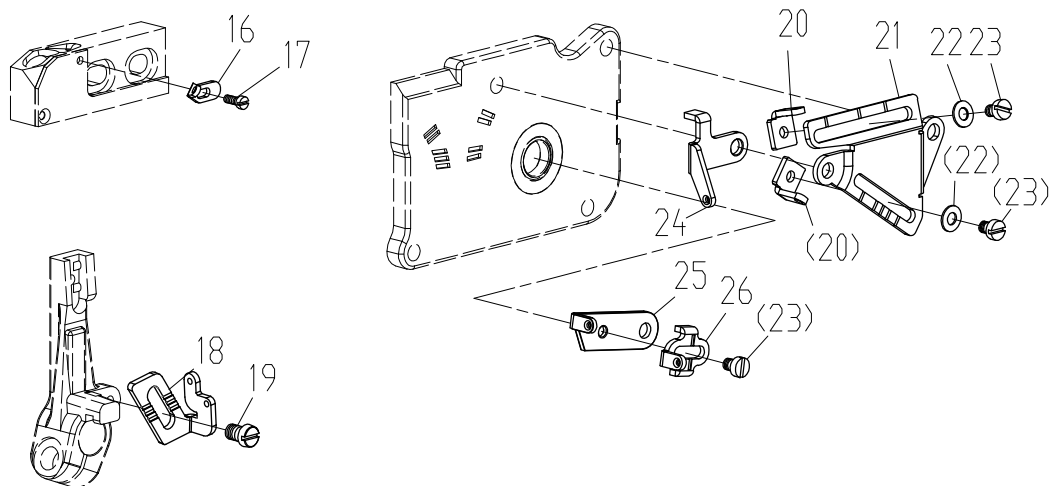
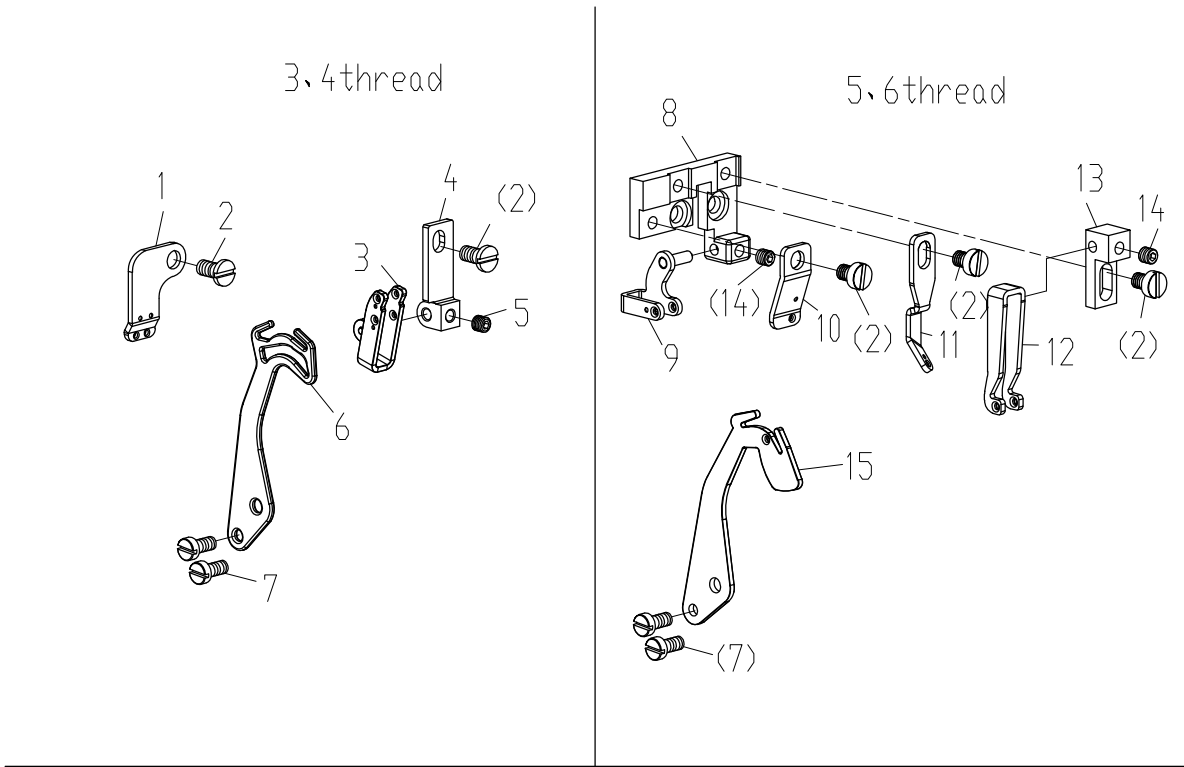


16. PRESSER FOOT ASSEMBLY

Ref. No.	Part No.	Description	QTY
1	10058290	screw for adjusting pressure of presser foot	1
2	10057465	nut for adjusting pressure of presser foot	1
3	10057462	O ring	1
4	10057460	press pin threaded sleeve	1
5	10057464	O ring	1
6	10062471	press pin plastic cover	1
7	10062472	spring	1
8	10057455	bar of presser foot	1
9	10002844	pin	1
10	10009454	plastic mat	1
11	10057463	O ring	1
12	10061365	foot safety switch magnet	1
13	10058563	arm of presser foot lifting	1
14	*	presser foot components	1
n/a			
16	10011912	secant knife	1
17	10009529	screw	1
18	10062481	hand lifter of presser foot	1
19	10063382	spring	1
20	10057459	screw	1
21	10009032	shaft of presser foot	1
22	10061300	bush of presser foot lifting	1
23	10023463	screw	1
24	10037485	spring	1
25	10033721	connecting bar for presser foot lifting	1
26	10009616	screw	1
27	10034616	crank for presser foot lifting	1
28	10009622	pulling lever for presser foot	1
29	10009158	lever for the presser foot	1
30	10009036	torsing spring for lever	1
31	10036965	screw	1
32	10009623	screw	1
33	10009467	nut	1
34	10009159	brake plate	1
35	10009104	screw	2

* : see the gauge list

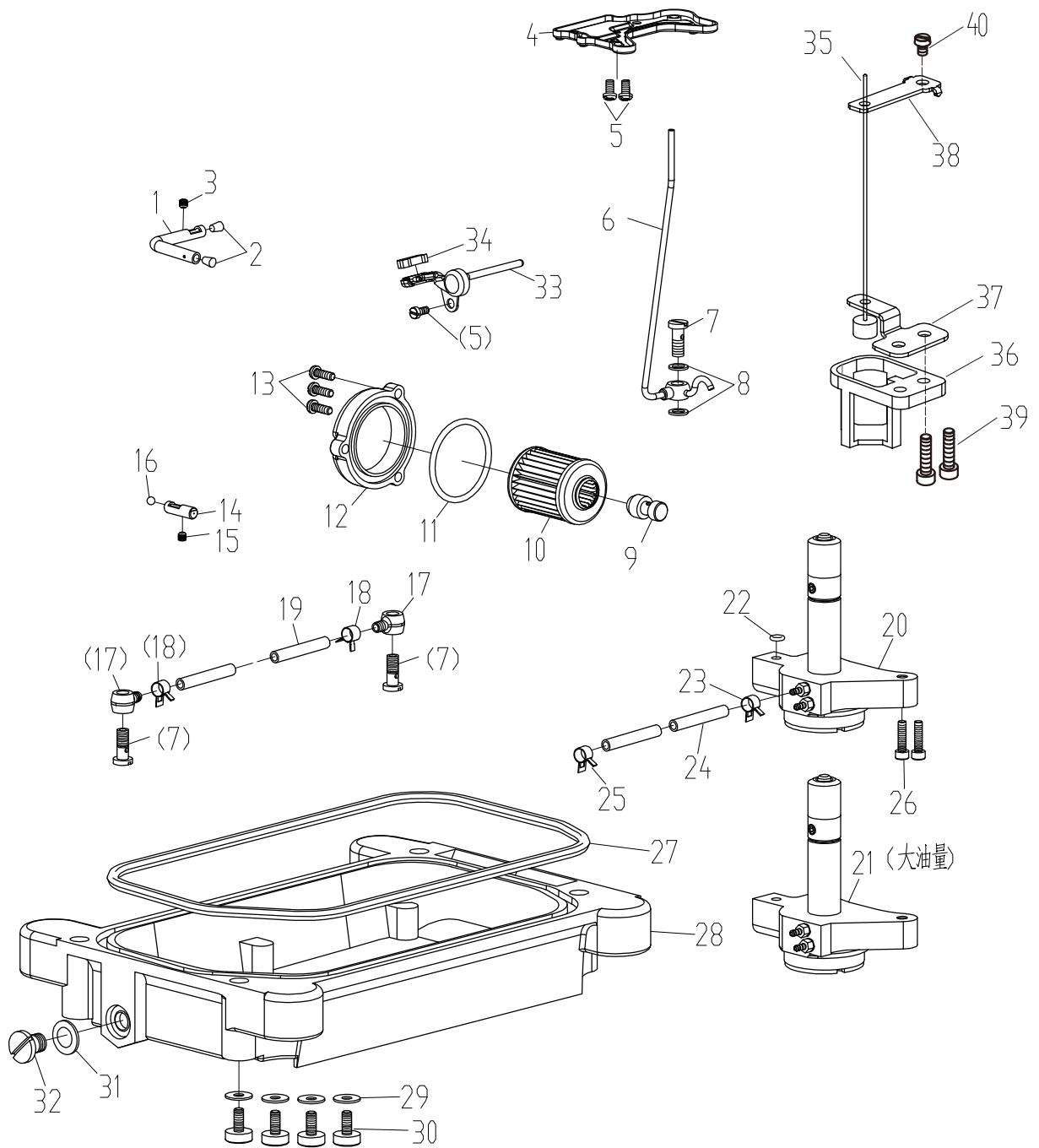
17. THREAD TAKE UP AND THREADING FRAME



17. THREAD TAKE UP AND THREADING FRAME

Ref. No.	Part No.	Description	QTY
1	10009014	thread guide plate on the needle bar	1
2	10010596	screw	2
3	10009058	thread tension plate	1
4	10009287	fixing stand for thread take-up clamp	1
5	10023463	screw	1
6	10009072	thread take-up stand	1
7	10009600	screw	2
8	10009639	fixing plate	1
9	10009663	lower thread tension plate	1
10	10009280	thread guide plate of left	1
11	10003252	thread guide plate of right	1
12	10002756	upper thread tension plate	1
13	10057518	fixing stand for thread take-up clamp	1
14	10009074	screw	2
15	10009640	thread take-up stand	1
16	10009369	small thread guide plate of upper looper	1
17	10009353	screw	1
18	10065093	thread guide plate for lower looper	1
19	10009363	screw	1
20	10009013	thread guide plate of looper	2
21	10009154	stand of lower thread guide plate	1
22	10009599	washer	2
23	10009529	screw	3
24	10009153	thread guide plate of upper looper	1
25	10009147	inner thread guide plate mounted on the shaft	1
26	10009012	outer thread guide plate mounted on the shaft	1

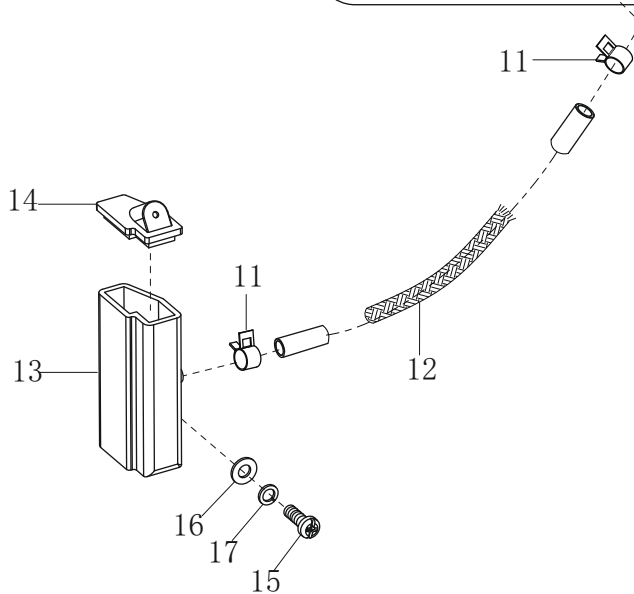
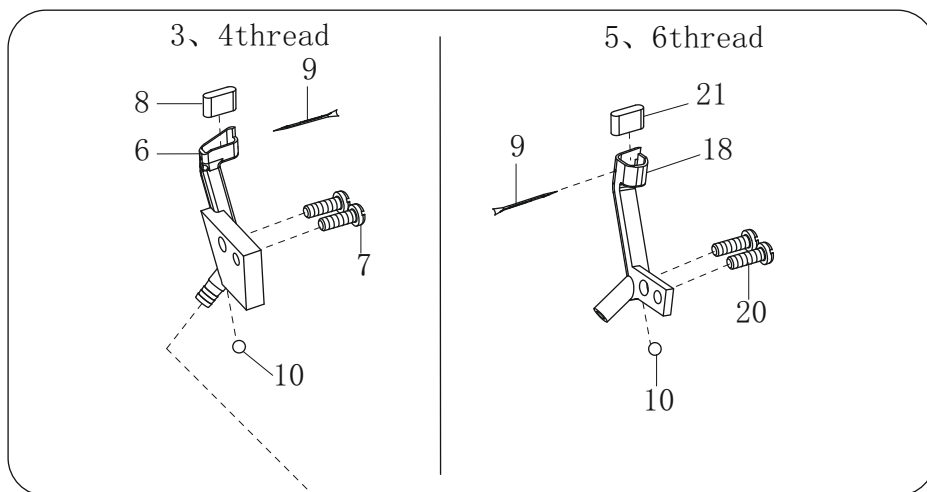
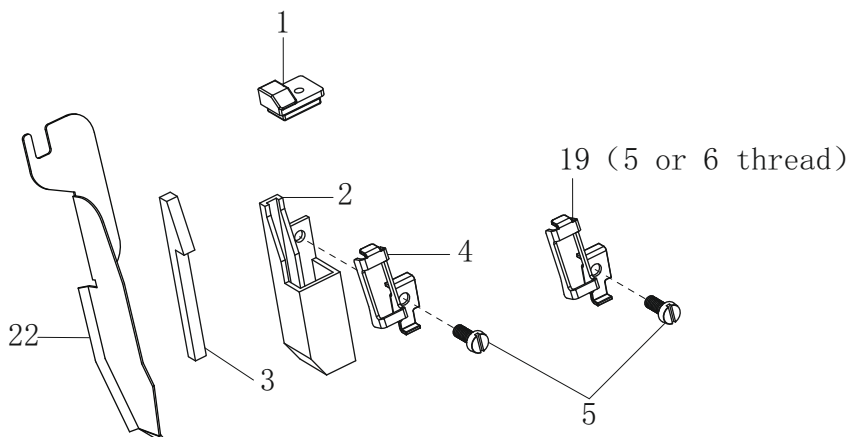
18. LUBRICATION ASSEMBLY



18. LUBRICATION ASSEMBLY

Ref. No.	Part No.	Description	QTY
1	10008992	oil pin for needle bar	1
2	10009039	rubber plug	1
3	10023463	screw	1
4	10065655	oil distributing plate	1
5	10012710	screw	2
6	10058565	Tubing assembly	1
7	10012086	washer	2
8	10009592	joint part	3
9	10026644	joint part	1
10	10043169	oil filter	1
11	10026756	O ring	1
12	20008187	oil filter cover	1
13	10009037	screw	3
14	10012322	pin for oiling	1
15	10009074	screw	1
16	10009826	steel ball	1
17	10009588	joint part	2
18	10011471	fastening ring	2
19	10007796	hose	250
20	10026648	assembly of oil pump	1
21	10059706	assembly of oil pump	1
22	10003826	O ring	1
23	10009469	fastening ring	1
24	10007800	hose	285
25	10012160	spring	1
26	10009103	screw	2
27	10052381	washer for oil tray	1
28	10052380	oil tray	1
29	10009447	washer	4
30	10009095	screw	4
31	10009263	washer assembly	1
32	10009264	screw	1
33	10009122	oil return bush of needle bar stand	1
34	10008991	felt	1
35	10062487	oil leveler	1
36	10009775	oil leveler block	1
37	10062478	oil leveler lower locating plate	1
38	10062477	oil leveler up locating plate	1
39	10012710	screw	2
40	10009104	screw	1

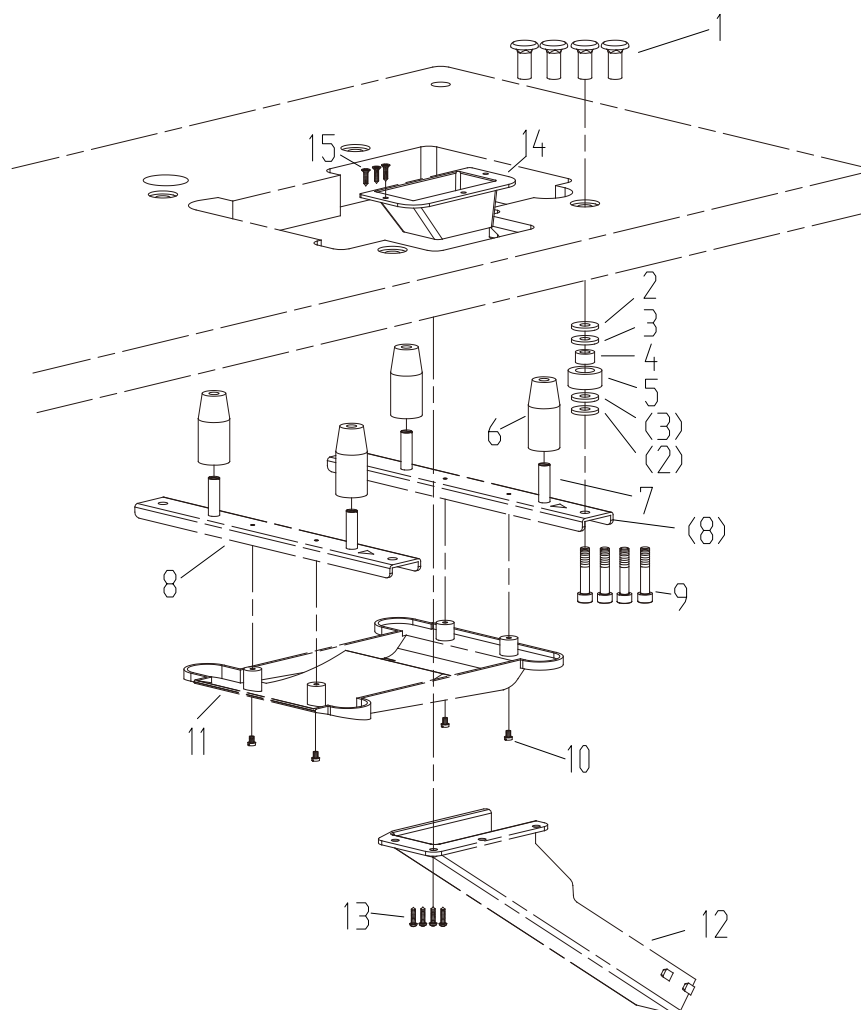
19. HR DEVICE



19. HR DEVICE




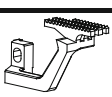




Ref. No.	Part No.	Description	QTY
1	10008925	box cover	1
2	10009094	upper silicon oil box	1
3	10008924	felt	1
4	10008923	presser plate for felt	1
5	10009104	screw	1
6	10008931	silicon oil box	1
7	10009037	screw	2
8	10008922	felt	1
9	10003344	pin	1
10	10009826	steel ball	1
11	10011471	fastening ring	2
12	10008072	oil wick	1
13	10008971	lower silicon oil box	1
14	10008883	box cover	1
15	10002934	screw	1
16	10003133	washer	1
17	10009503	washer	1
18	10009661	silicon oil box	1
19	10023474	presser plate for felt	1
20	10009042	screw	2
21	10009659	felt	1
22	10008884	seal plate	1






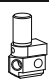


20. OIL TANK BRACKET



Ref. No.	Part No.	Description	QTY
1	10009596	bush with inner thread	4
2	10059968	plastic mattress	8
3	10009272	washer	8
4	10059967	rubber cushion steel ring	4
5	10059966	rubber blanket	4
6	10059964	pallet rubber mat	4
7	10059965	brace	4
8	10059963	the tray support	2
9	10003106	screw	4
10	10002924	screw	4
11	10059962	tray	1
12	10033825	the manger packing assembly	1
13	10004981	screw	4
14	10033756	feed opening	1
15	10051357	screw	3

GAUGE PARTS LIST

							
	NEEDLE PLATE	MAIN FEED DOG ASM	DIFF.FEED DOG	PRESSER FOOT	UPPER LOOPER	LOWER LOOPER	CHAINSTITCH DOG ASM
Texi Tre 04 N	10009769	10009112	10009107	10009768	10009368	10008565	-
Texi Quattro 24 N	10008567	10008662	10008566	10052572	10008633	10008565	-
Texi Cinque 35 N	10009282	10009767	10009288	10009289	10009368	10008565	10009304

							
	UPPER KNIFE	LOWER KNIFE	FRONT NEEDLE	REAR NEEDLE	NEEDLE HOLDER	NEEDLE	THREAD STAND PARTS
Texi Tre 04 N	10009611	10010866	10009377	10009023	10003434	B-27	10006347
Texi Quattro 24 N	10009611	10010866	10009377	10009023	10009340	B-27	10007906
Texi Cinque 35 N	10009611	10010866	10009637	10009023	10009284	B-27	10004956



Dealer :

--